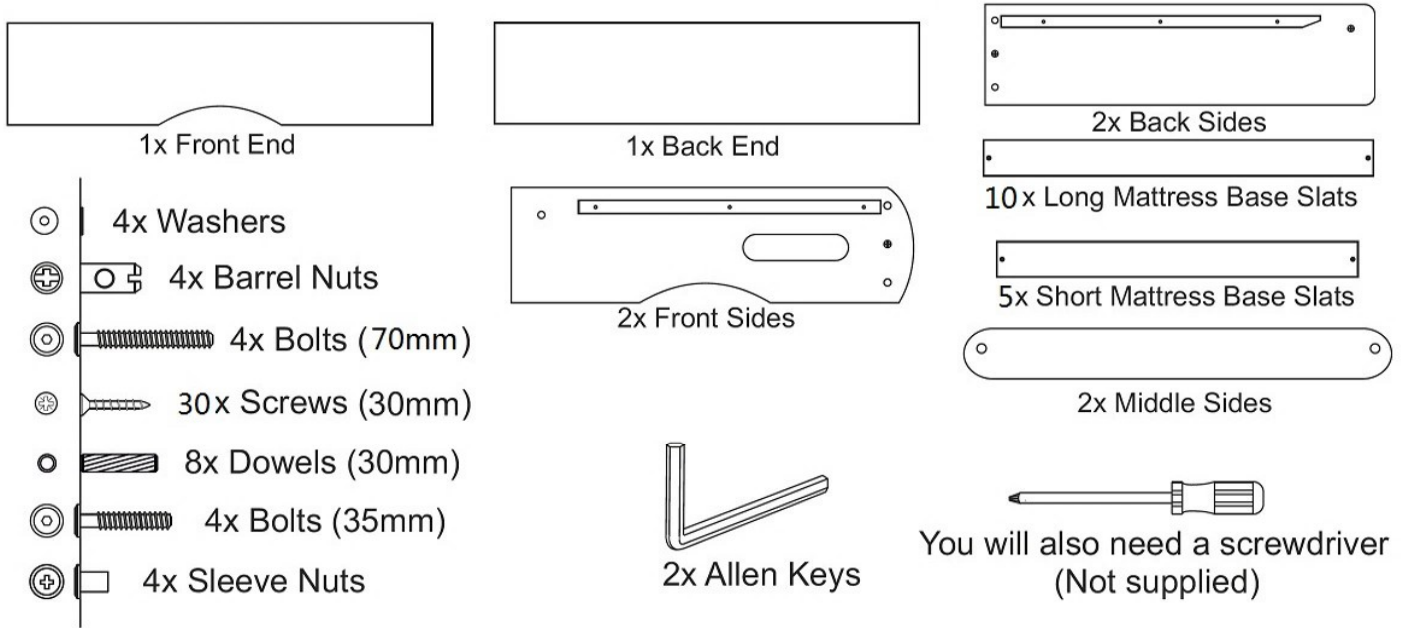


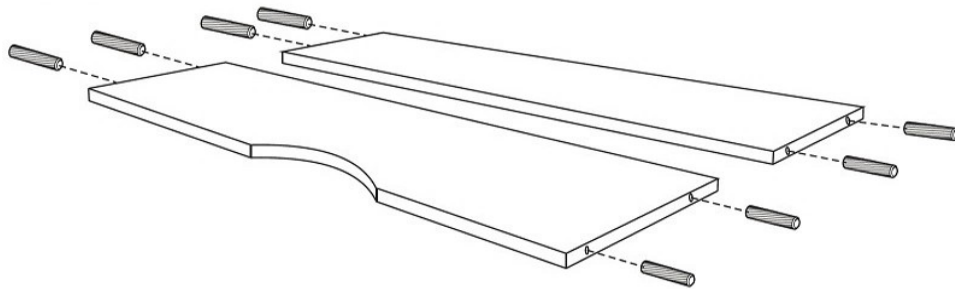
# Part Checklist Futon



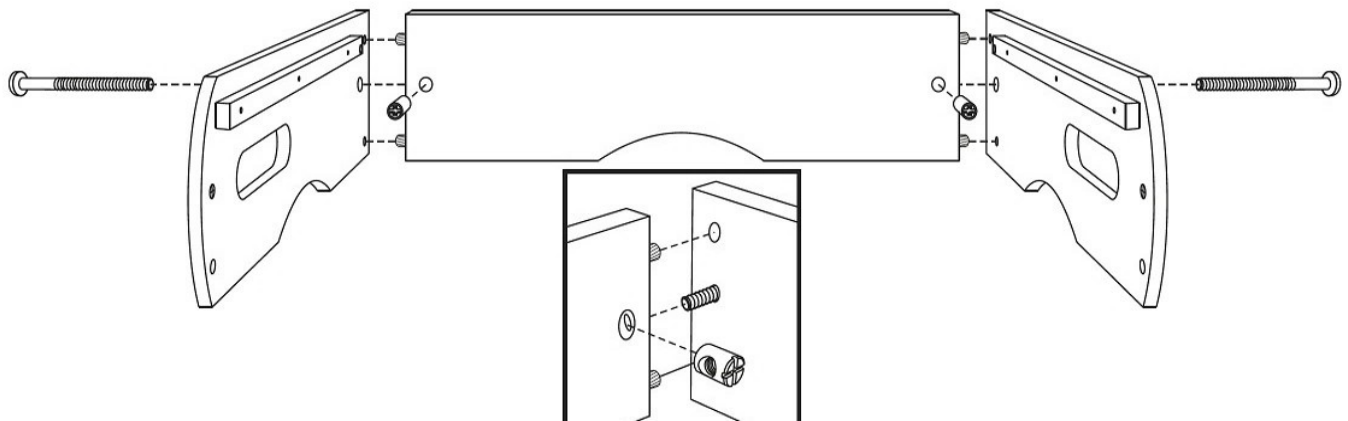
## Assembling Futon

**You need:** 8x Dowels (30mm), 4x Bolts (50mm), 4x Barrel Nuts and an Allen key.

Lay the Front End and Back End on a soft level floor and insert 2x Dowels (30mm) into each end as shown below.



Once all Dowels have been inserted, fit the Front Sides onto the Front End as shown below ensuring that all Dowels are located correctly into their corresponding holes as shown. **Note:** Make certain that all 'cut-outs' (X) are at the bottom. Once all is correctly aligned, secure the parts together using 2x Bolts (70mm) and 2x Barrel Nuts. **Now repeat this stage of construction using the same method and fittings but using the Back End and Back Sides instead.- (NOT SHOWN).**



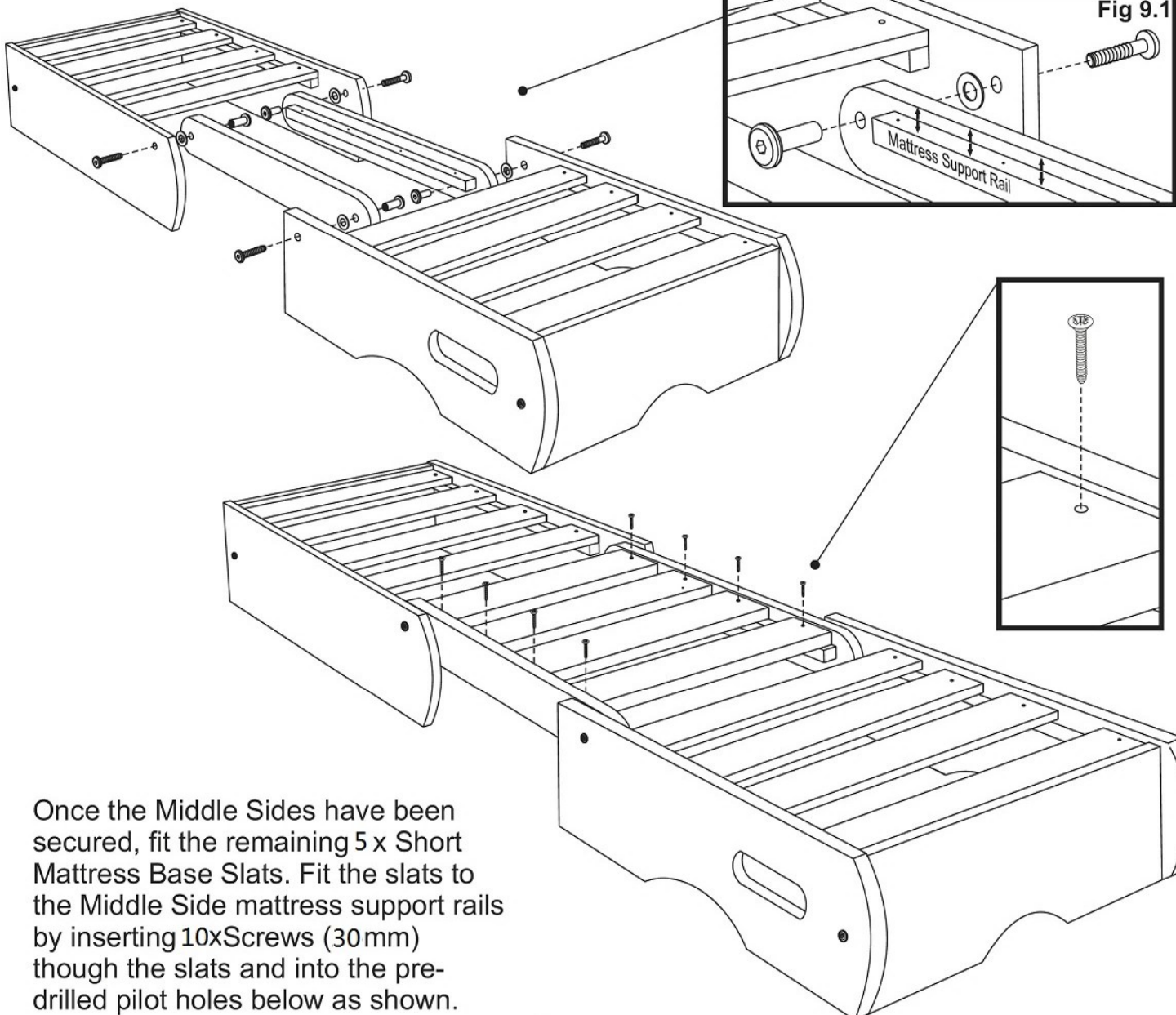
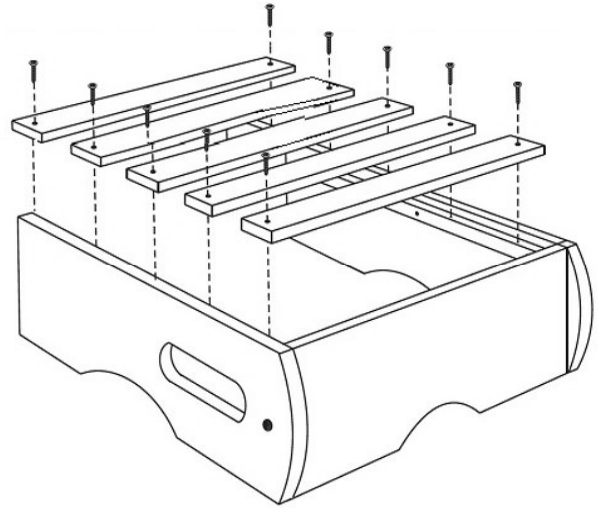
**You need:** 30 x Screws (30mm) 4x Bolts (35mm), 4x Washers, 4x Sleeve Nuts, 2x Allen Keys and a Screwdriver.

Ensure the assembly is square and attach 4x Long Mattress Base Slats to each subassembly using 10x Screws (30mm) for each.

Once all of the Slats are secure, position the two halves of the Futon so that the Sides are aligned. Join the two halves together using the Middle Sides.

Ensure the Middle Sides are orientated with the mattress support rails facing inwards and closer to the top than the bottom (**See Fig 9.1**).

Secure the parts together by inserting the 4x Bolts (35mm) and 4x Sleeve Nuts and 4x Washers as shown below. **Ensure the 4x Washers are positioned between the inner and outer sides as shown.**



Once the Middle Sides have been secured, fit the remaining 5 x Short Mattress Base Slats. Fit the slats to the Middle Side mattress support rails by inserting 10x Screws (30mm) through the slats and into the pre-drilled pilot holes below as shown.

**A** - Lift at the first slat of the back

