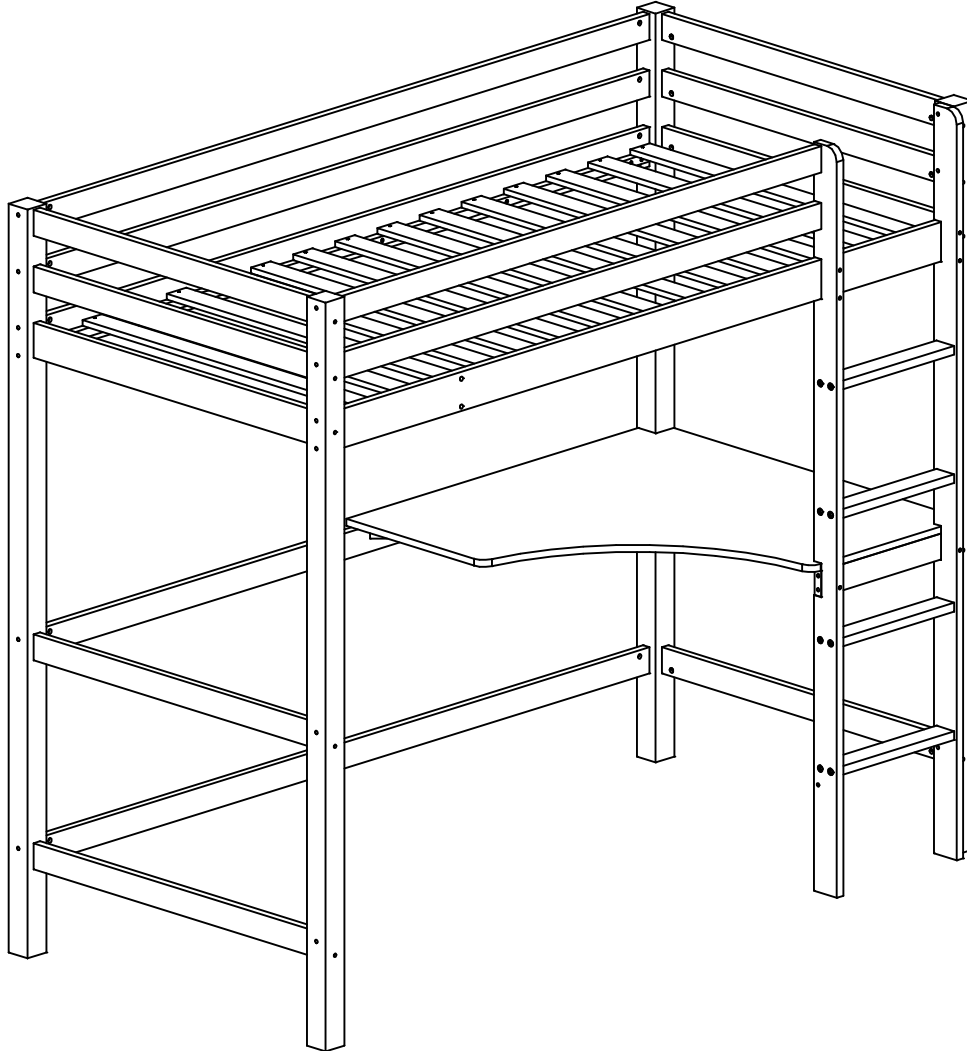

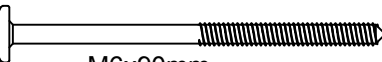


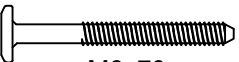

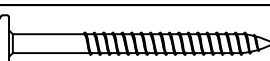


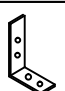

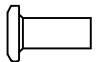
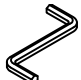




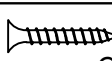


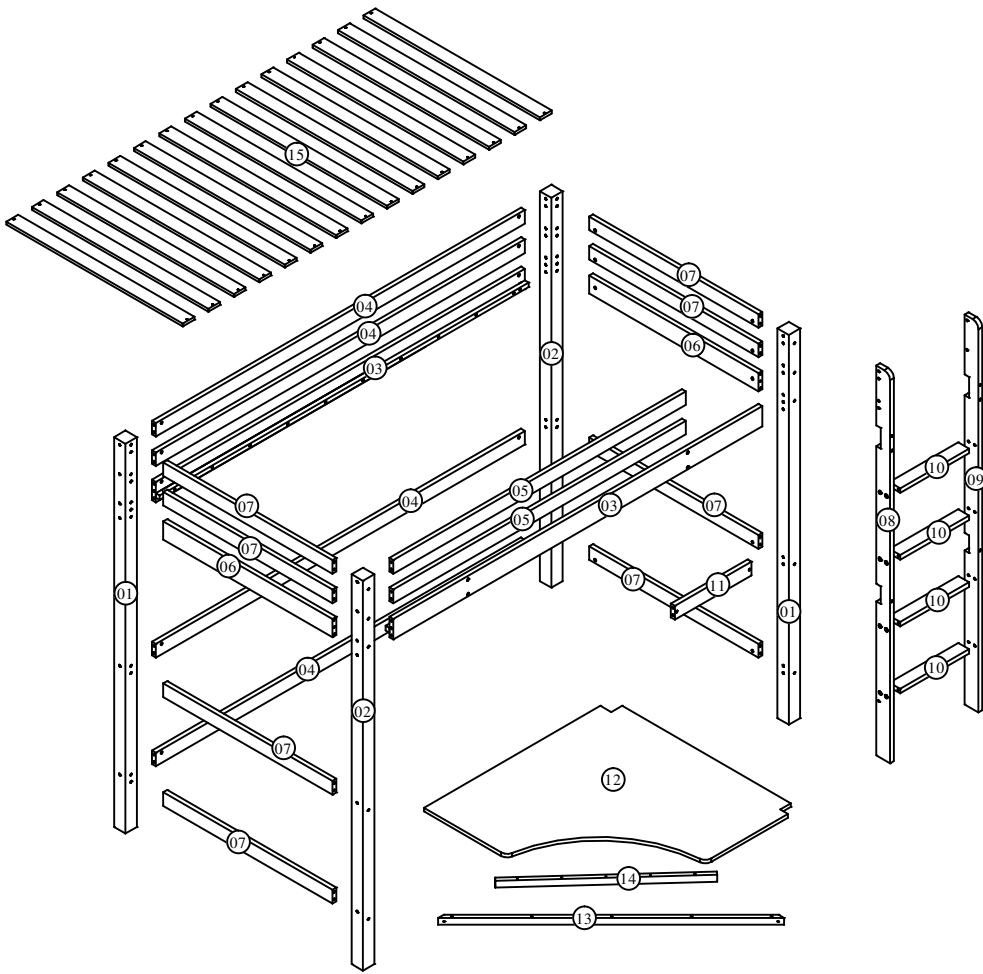
190x90cm



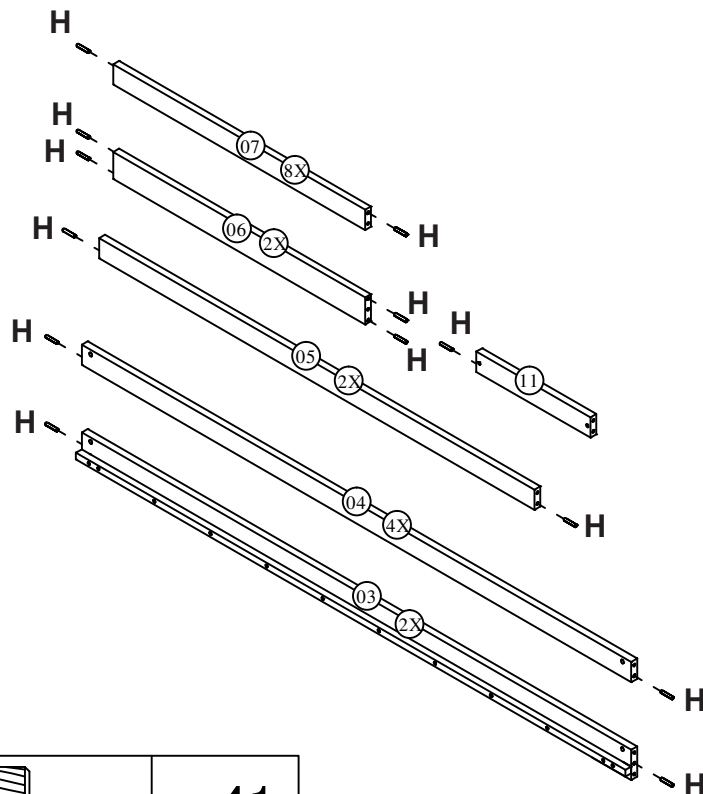
HARDWARE

A	 15mm	 M6x90mm	39
B			41
C	 15mm	 M6x70mm	02
D	 15mm	 Ø6x70mm	16
E	 17mm	 M6x60mm	06
K		30x30x16mm	04

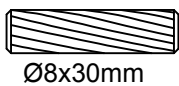
F	 17mm		06
G			01
H		 Ø8x30mm	41
I	 8mm	 Ø4x30mm	42
J	 8mm	 Ø4x16mm	16



01



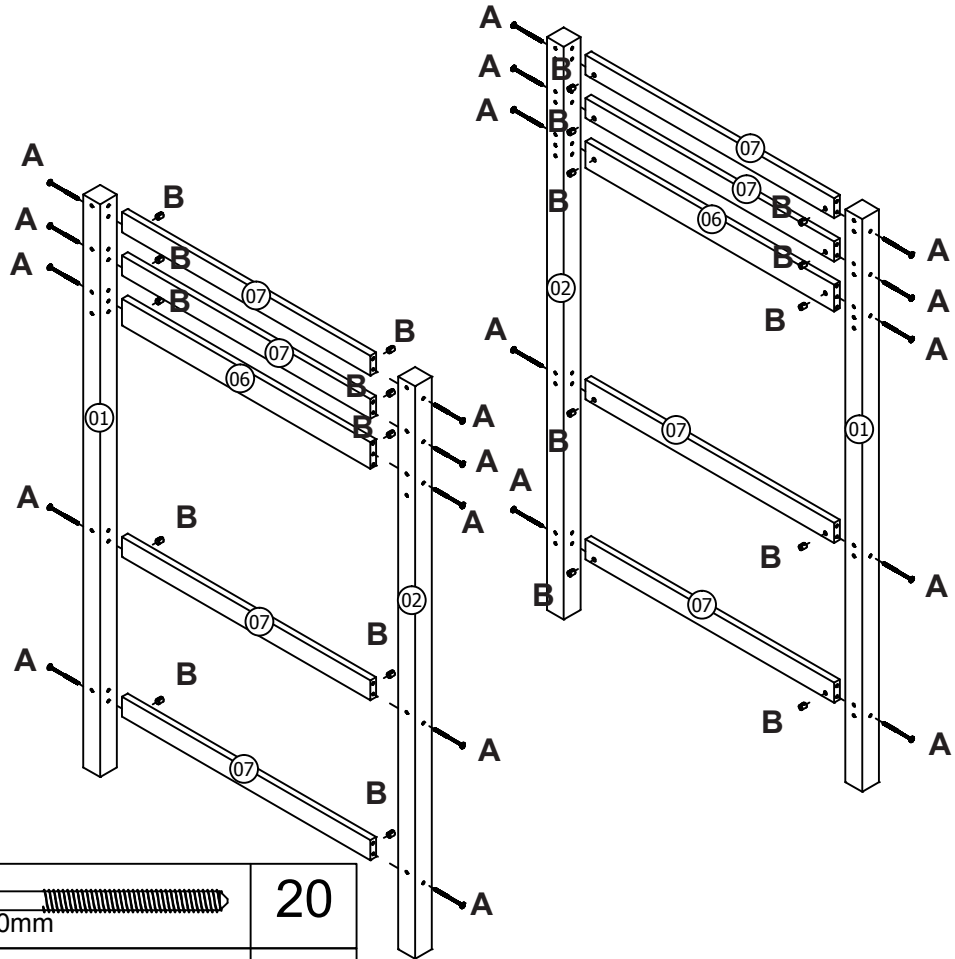
H

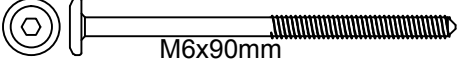



Ø8x30mm

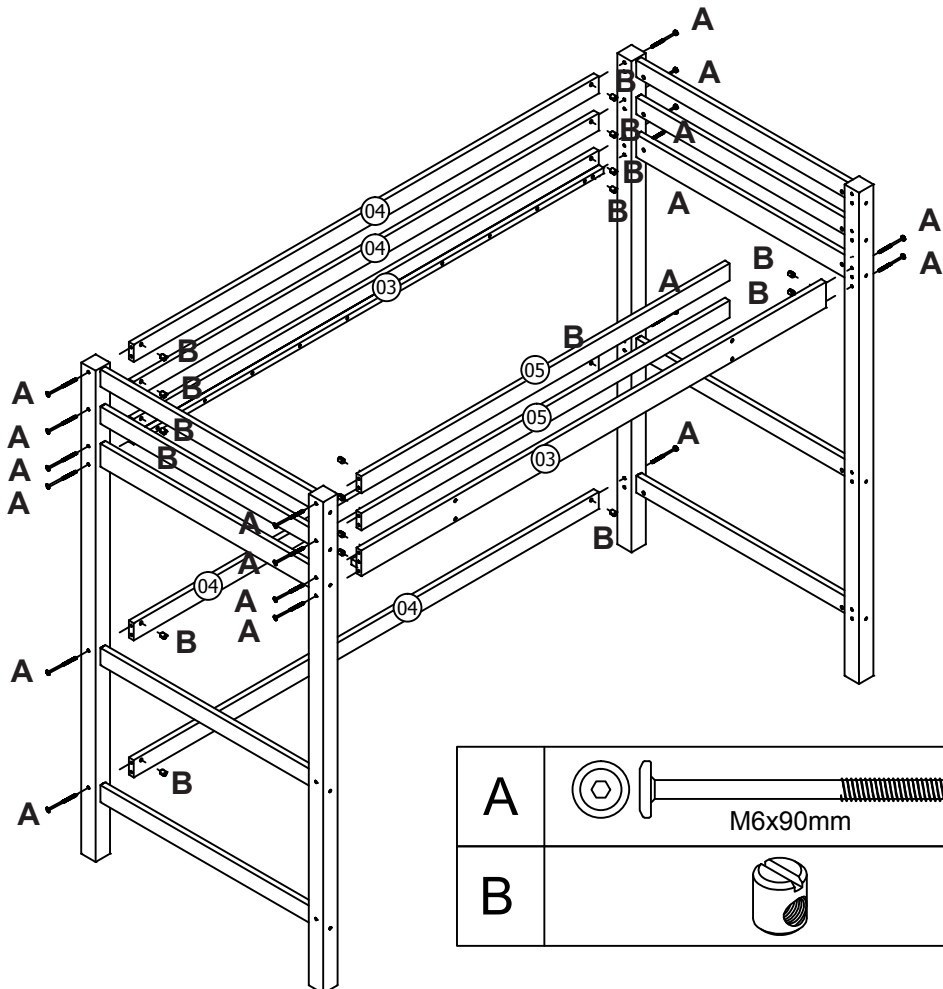
41

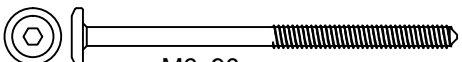

02



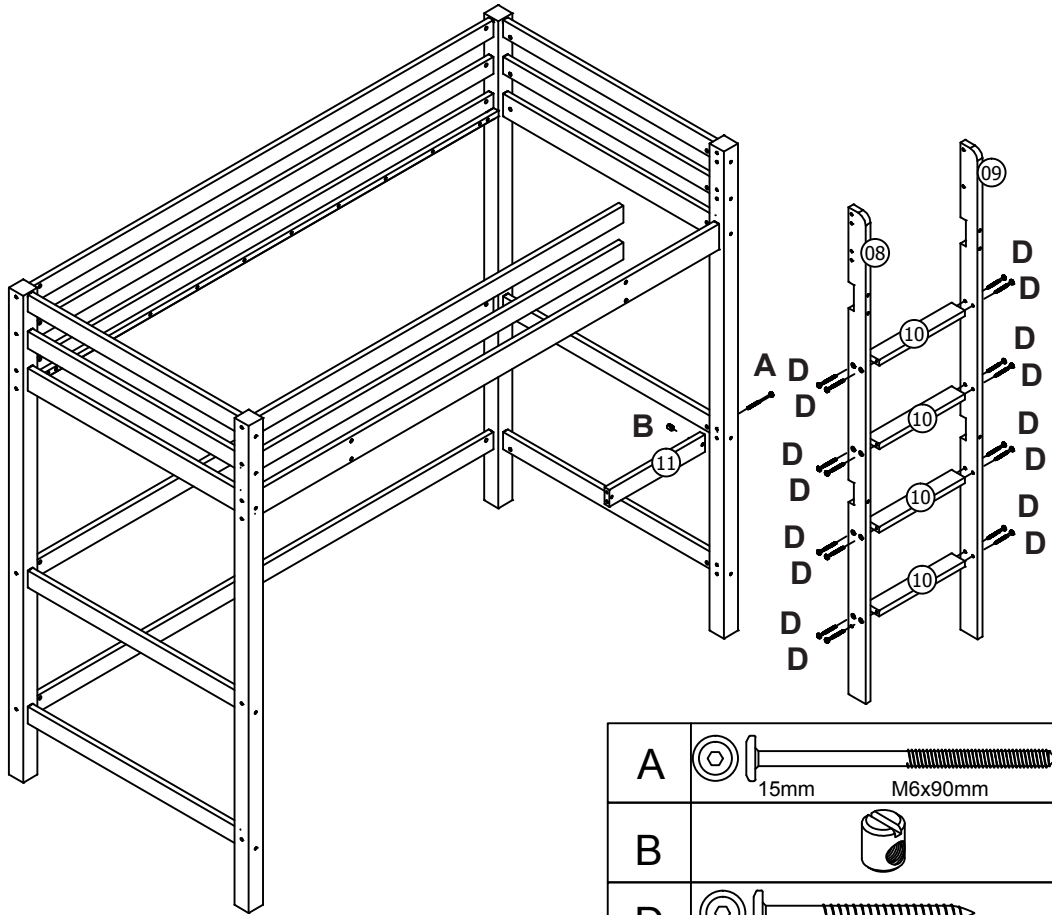
A		20
B		20

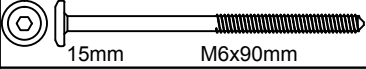

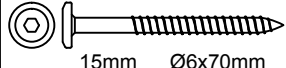
03



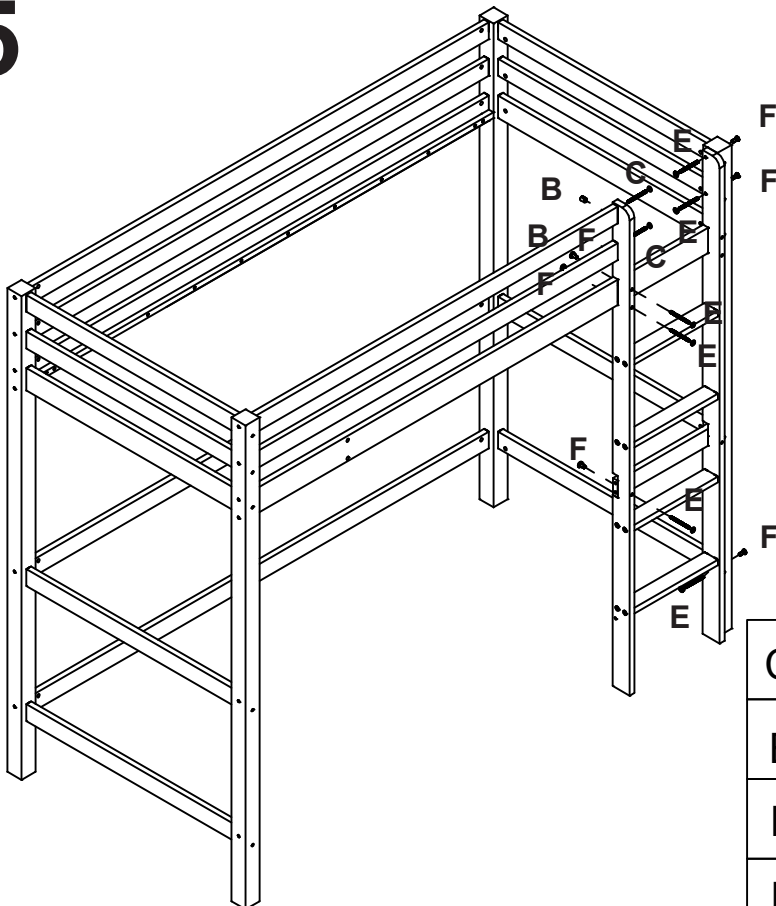
A		18
B		18

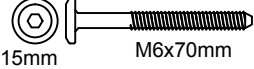

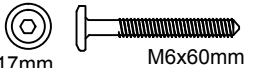

04



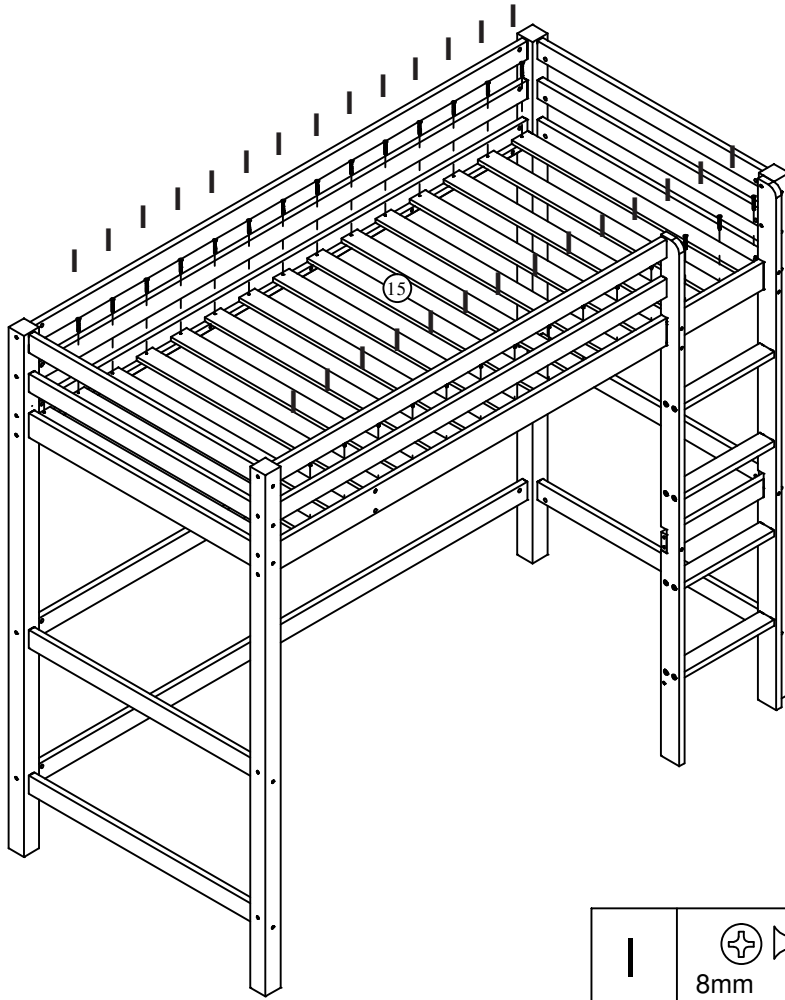
A		01
B		01
D		16


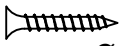
05



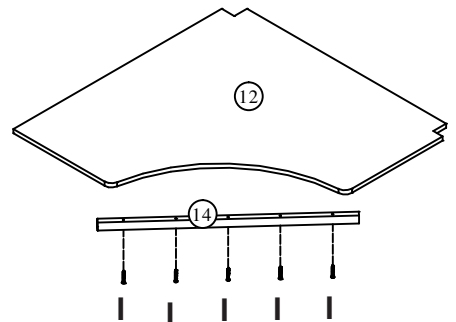
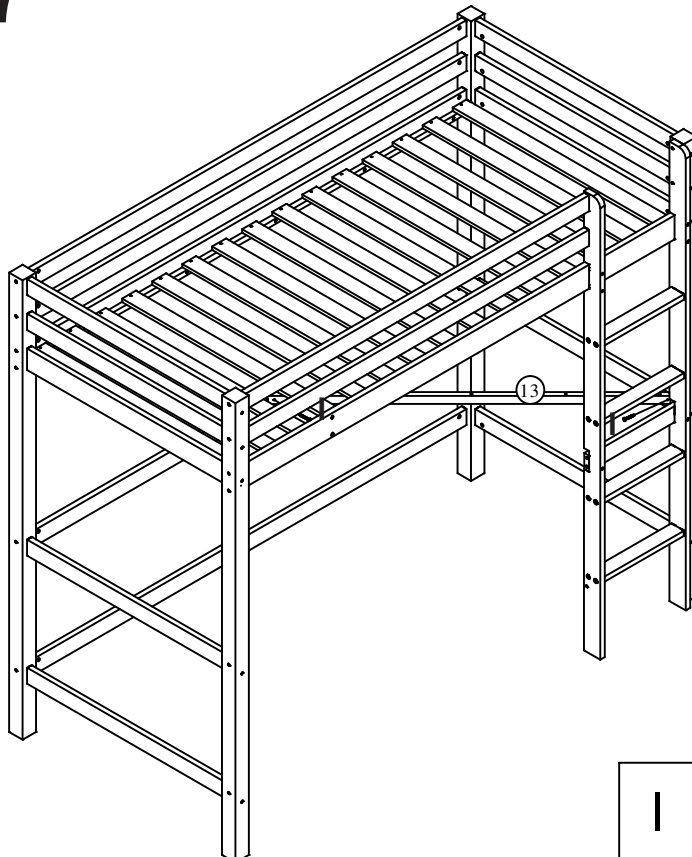
C		02
B		02
E		06
F		06


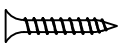
06



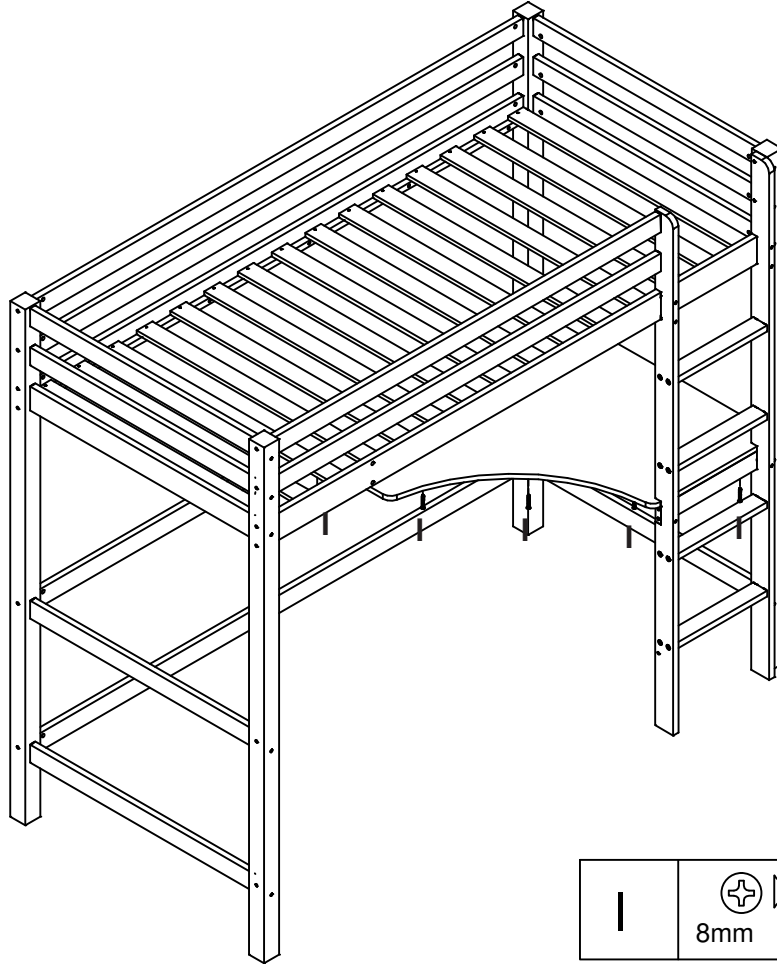
I	 8mm	 Ø4x30mm	30
---	---	--	----


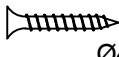
07



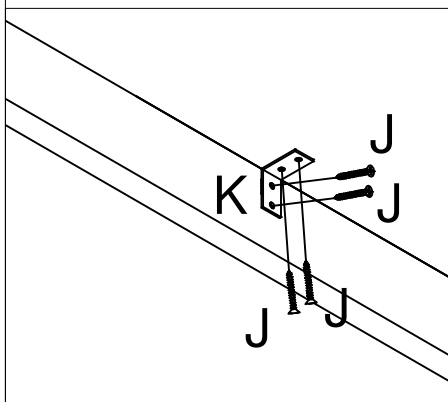
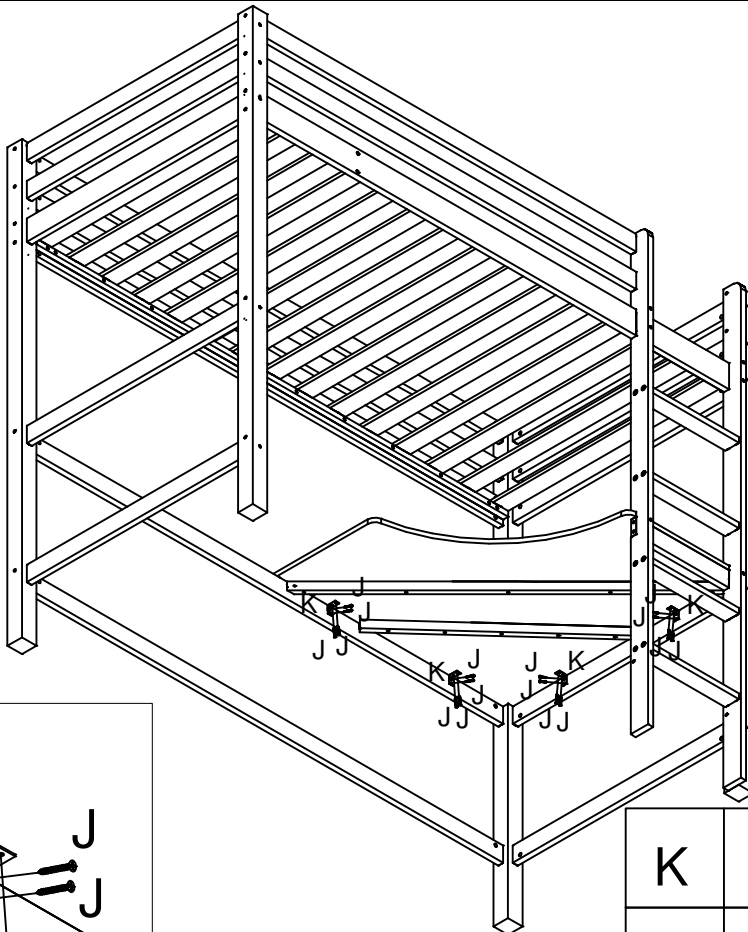
I	 8mm	 Ø4x30mm	07
---	---	--	----

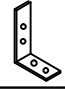


08



I	 8mm	 Ø4x30mm	05
---	--	--	----

09



K	 30x30x16mm	04	
J	 8mm	 Ø4x16mm	16