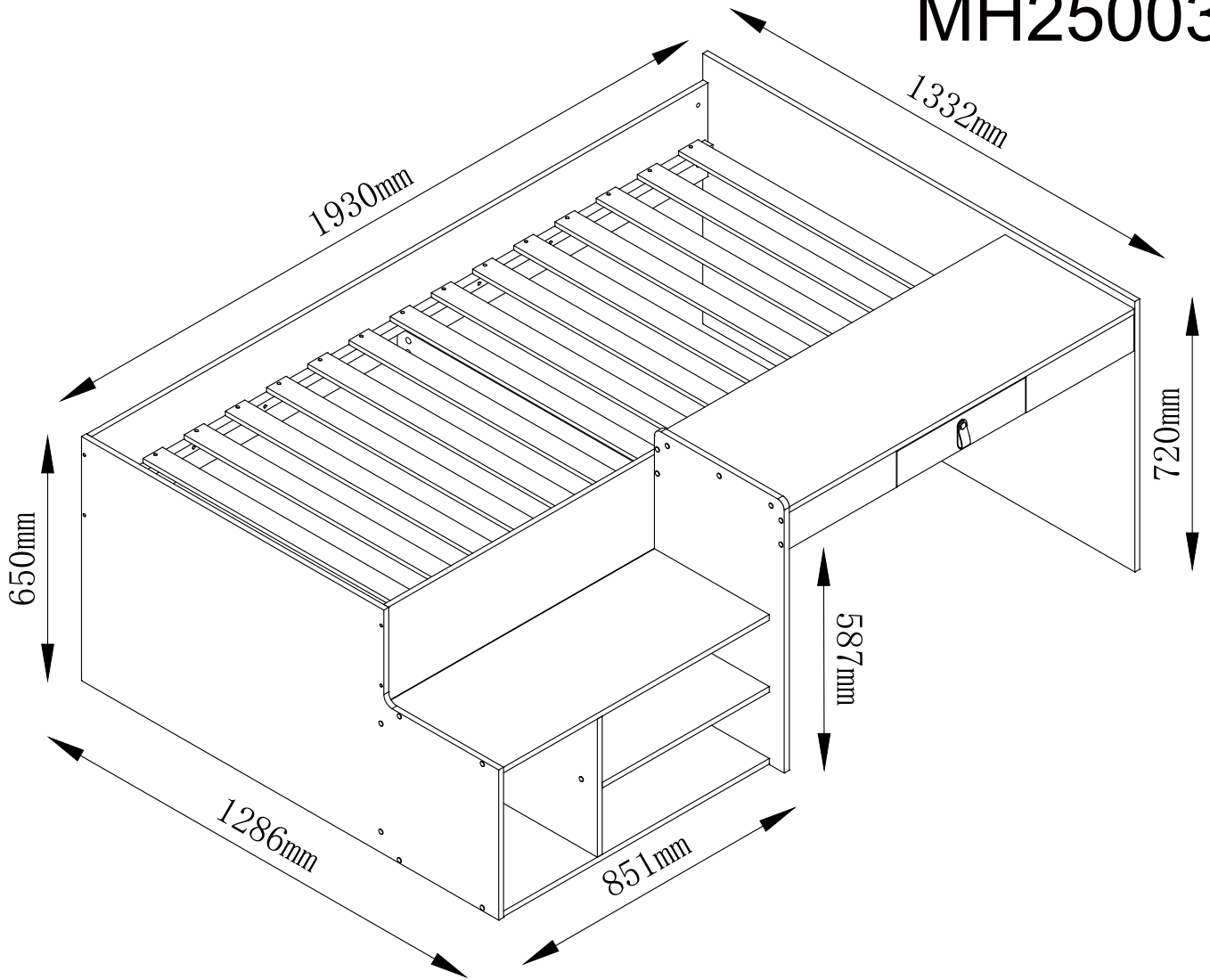
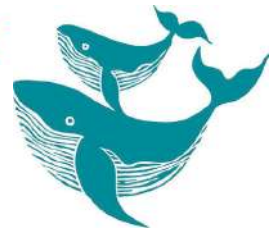


MH25003

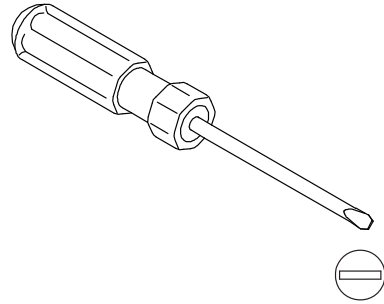
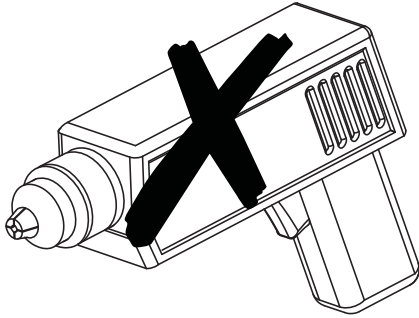


**NÖA & NANI**

FAMILY FURNITURE



**SAKU SINGLE BED  
ASSEMBLY INSTRUCTIONS**

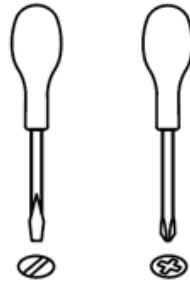


**WARNING**



**DO NOT USE  
POWERTOOLS TO  
ASSEMBLE THIS  
PRODUCT**

### Tools Required



**CAUTION:** Do not use tools other than those required, as this can damage your new item.

### NOTE

- Please check you have all hardware before assembling.
- If you are missing any hardware, please contact the store of purchase.
- Please ensure you have the name of the item, required hardware part and quantity.
- Please retain your receipt as proof of purchase to validate your warranty.

### CAUTION

- Do not tighten screws before all screws are in the right place.
- Do not use this product unless all bolts, screws and knobs are firmly secured.
- Check that all bolts, screws and knobs are securely tightened at least every 4 months.

### WARNING

- If parts are missing, broken, damaged or worn stop using the product until all repairs are made using manufacturer authorised parts.
- Failure to follow these warnings could result in serious injury.

### DANGER

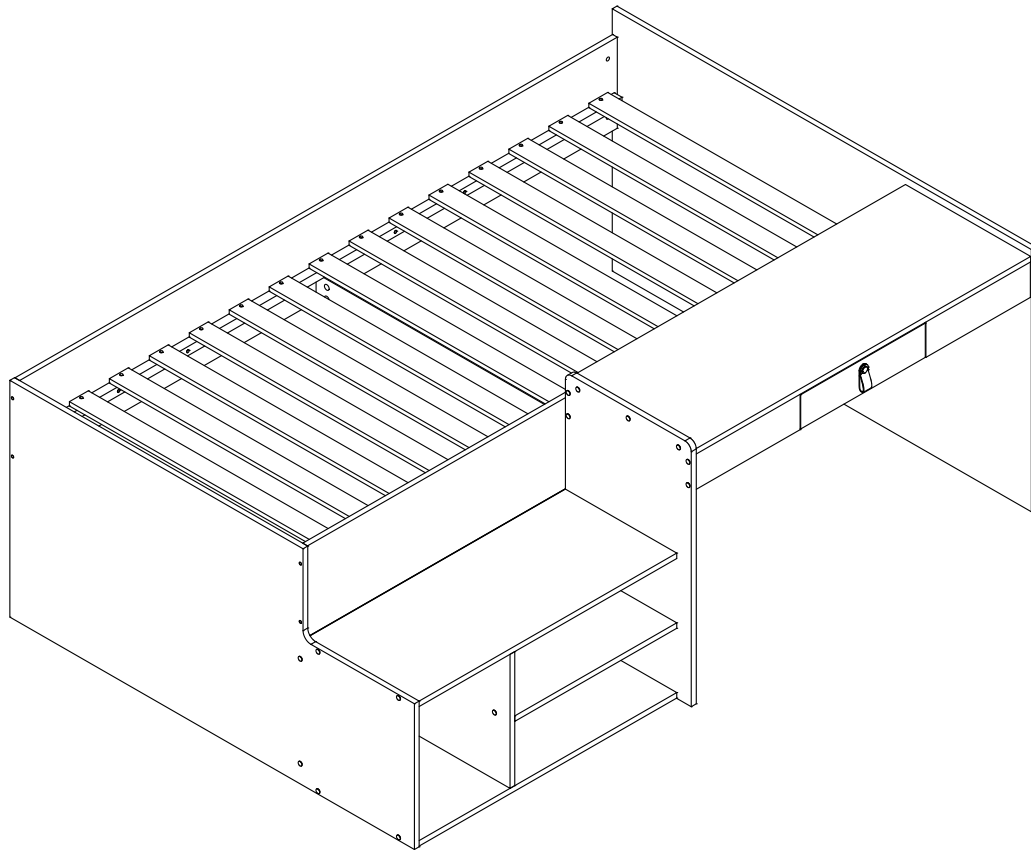
- CHILDREN MUST BE SUPERVISED.

# Packing List



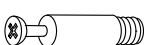

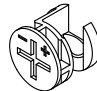

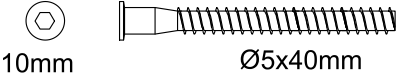


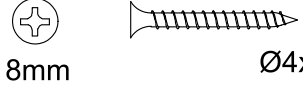
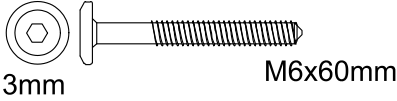

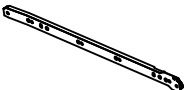





Carton Number	Part Number	Quantity
Carton A	09	1pc
	10	1pc
	12	1pc
	13	1pc
	14	1pc
	15	1pc
	16	1pc
	17	1pc
	03	1pc
	01	1pc
	02	1pc
	04	1pc
	Hardware	1pc
	Assembly Instructions	1pc
Carton B	07	1pc
	08	1pc
	11	1pc
	06	1pc
	05	1pc
	18	1pc
	19	1pc
	20	1pc

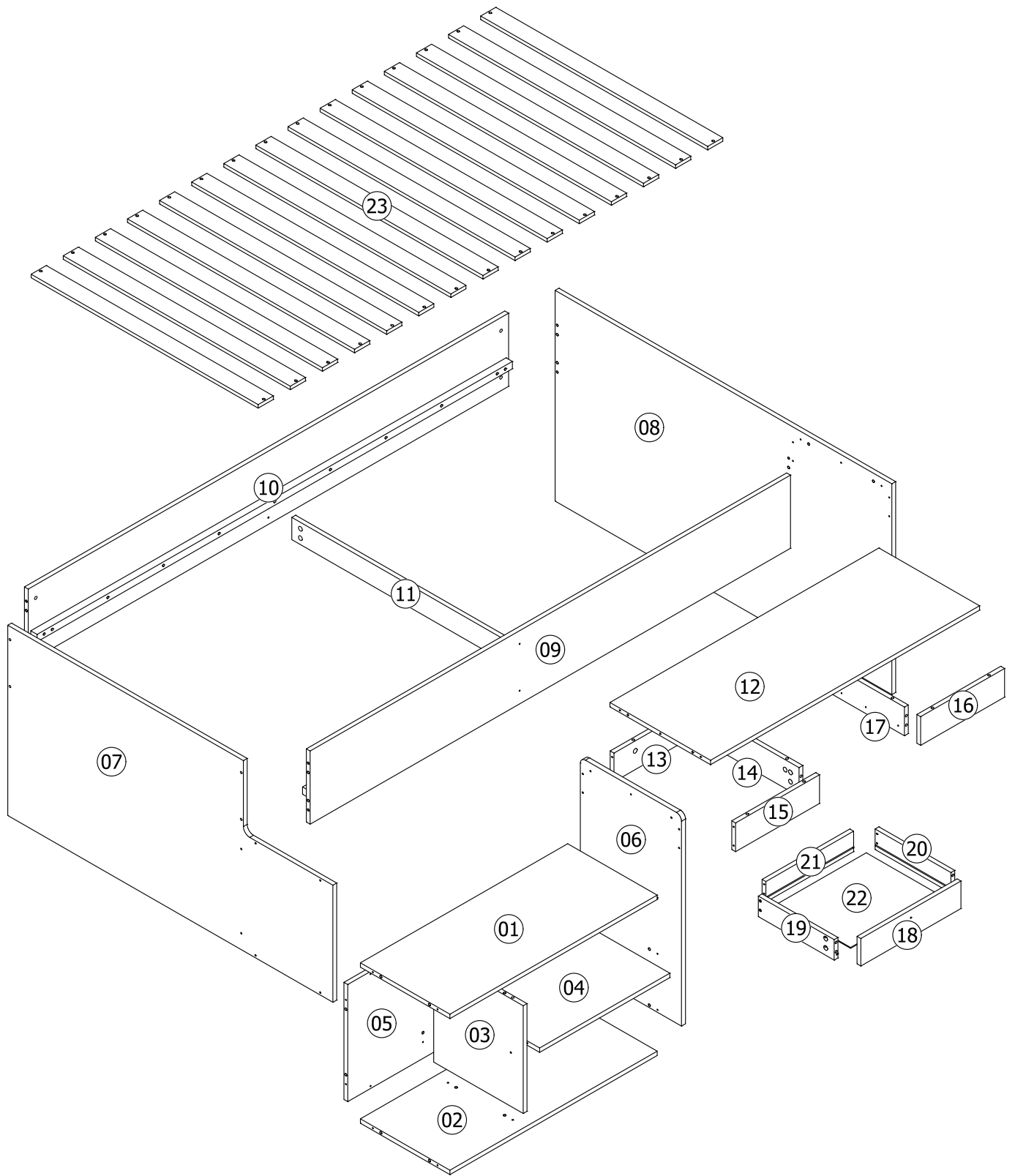
# Packing List

Carton Number	Part Number	Quantity
Carton B	21	1pc
	22	1pc

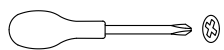
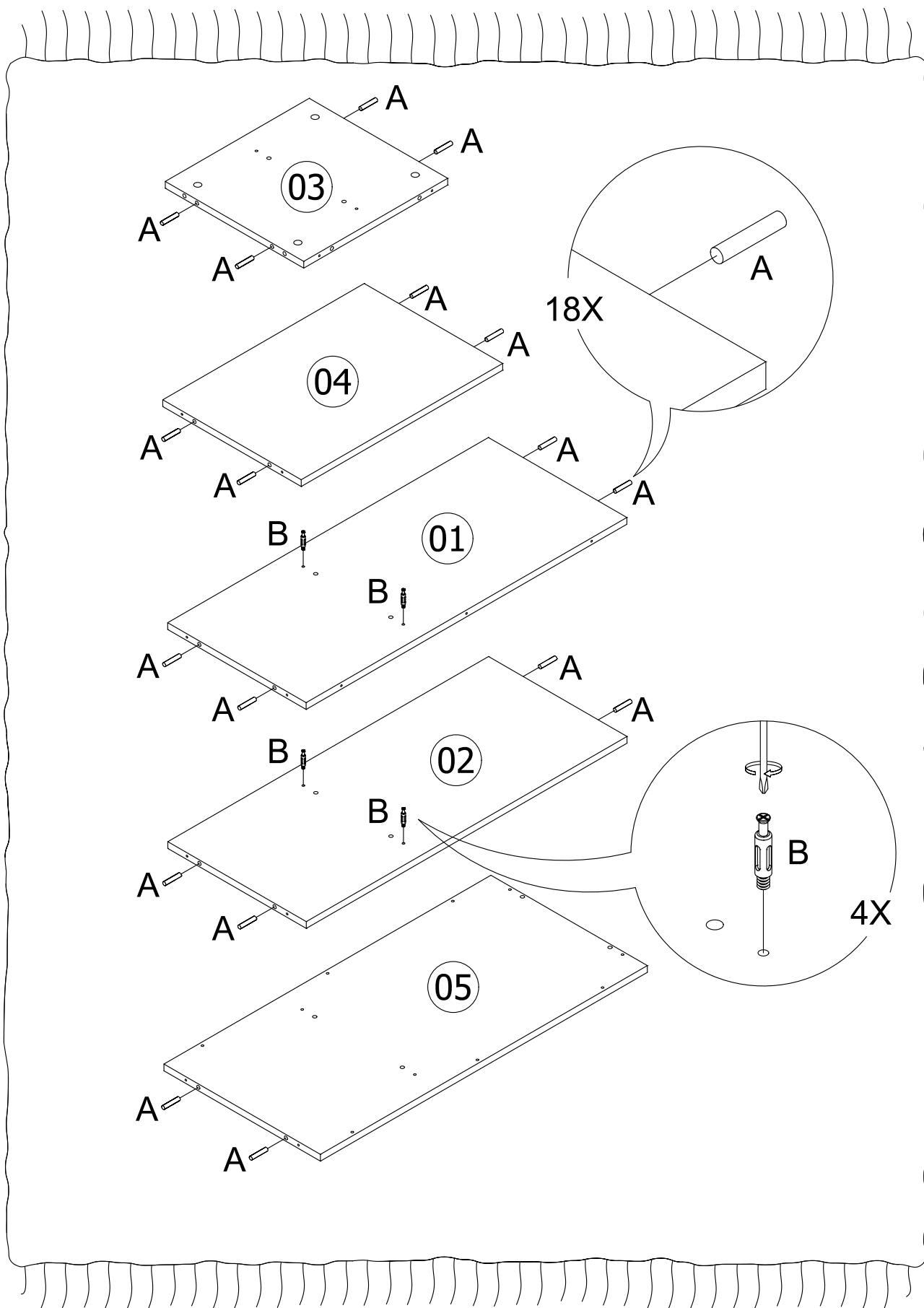



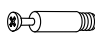
## HARDWARE

A		Ø8x30mm	36	J		3mm	01
B		M6x40mm	31	K		4mm	01
C		Ø15x11mm	31	L		50X15X2mm	11
D		10mm Ø5x40mm	44	M	 White sticker	Ø21mm	04
E		Ø10x11mm	08	N		8mm Ø4x30mm	30
F		13mm M6x60mm	08	P		65x25mm	01
G		RIGHT OR LEFT	02	Q		M4x18mm	01
H		RIGHT OR LEFT	02	R		Ø12mm	28
I		Ø3.5x14mm	12	S	 Yellow sticker	Ø21mm	04

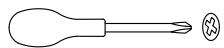
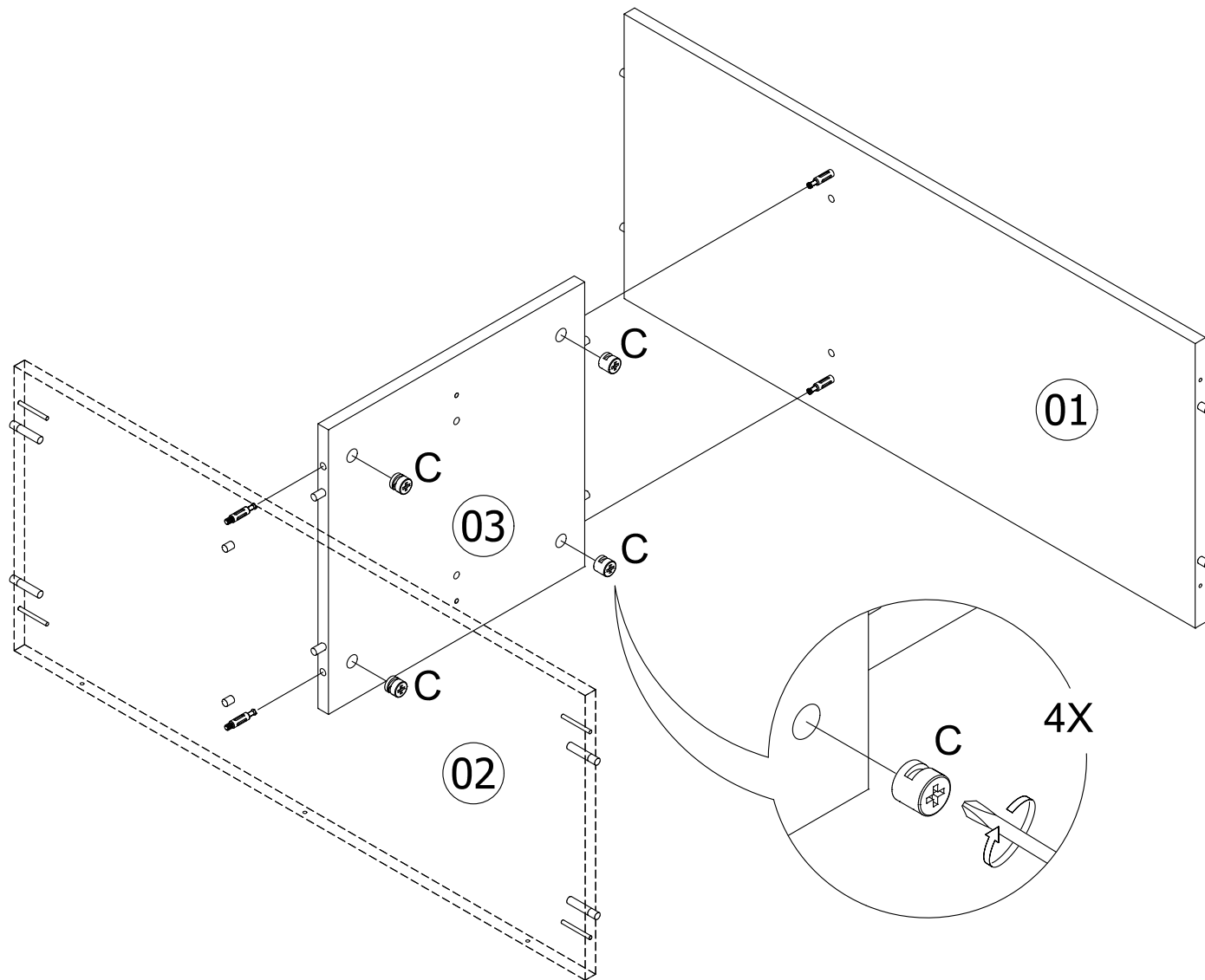
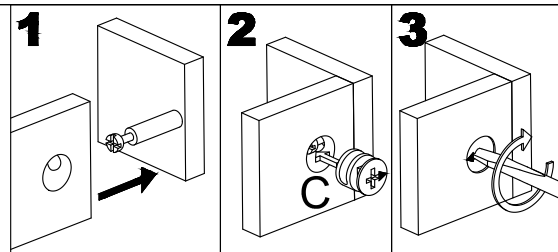


# 01



A		Ø8x30mm	18
B		M6x40mm	04

# 02



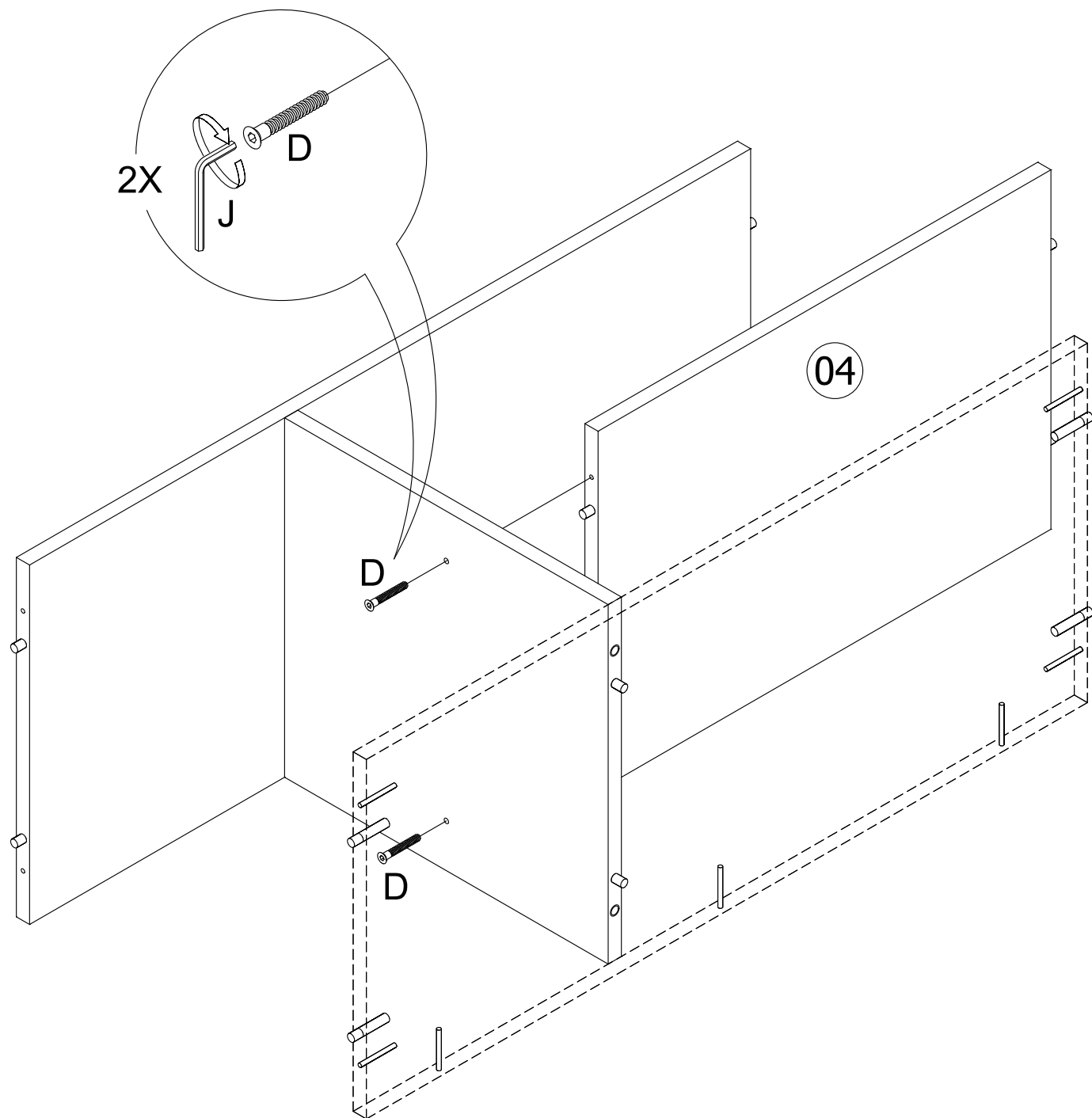
C



Ø15x11mm

04

# 03



J



3mm

01

D

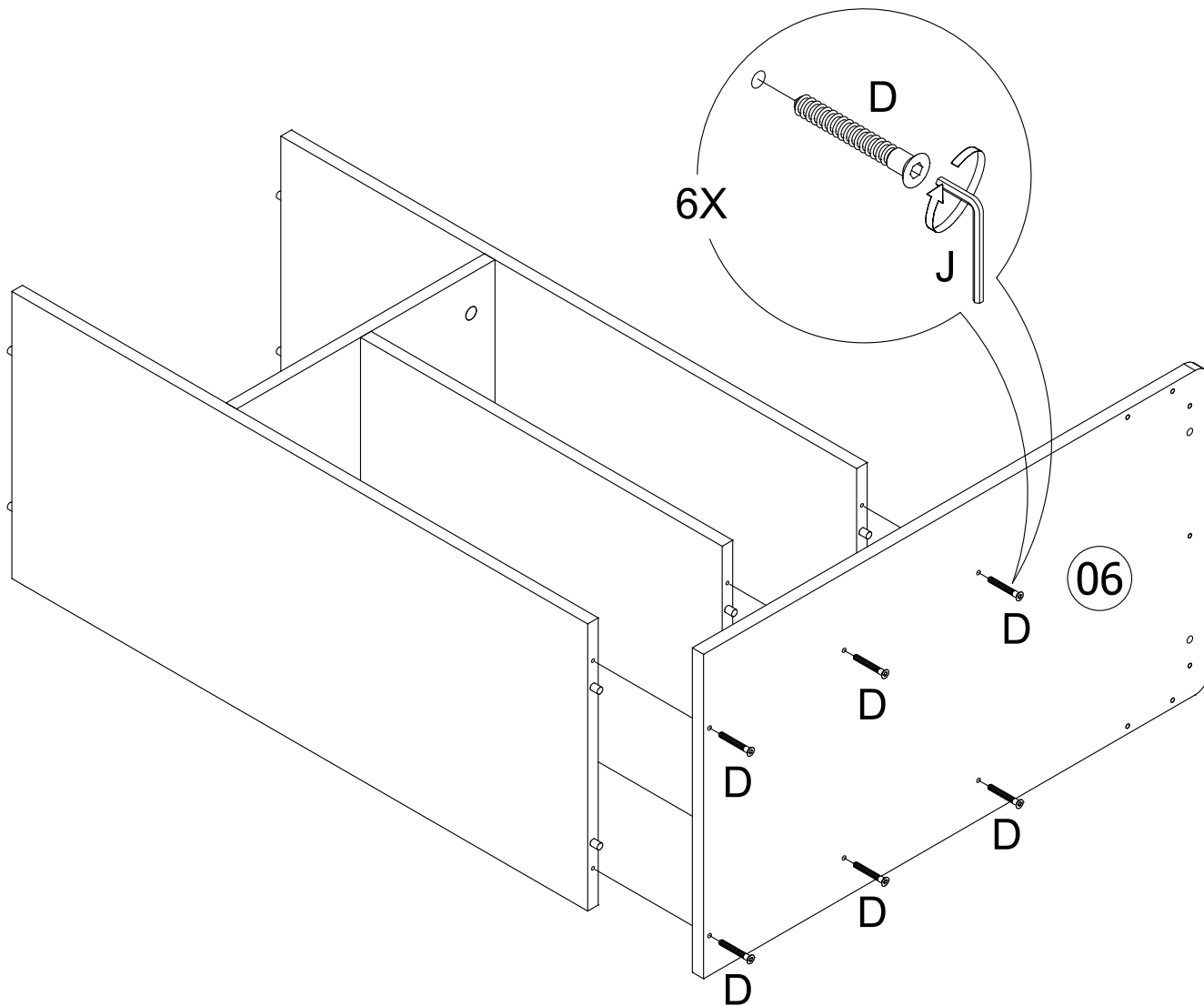
10mm



Ø5x40mm

02

# 04



J

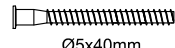


3mm

01

D

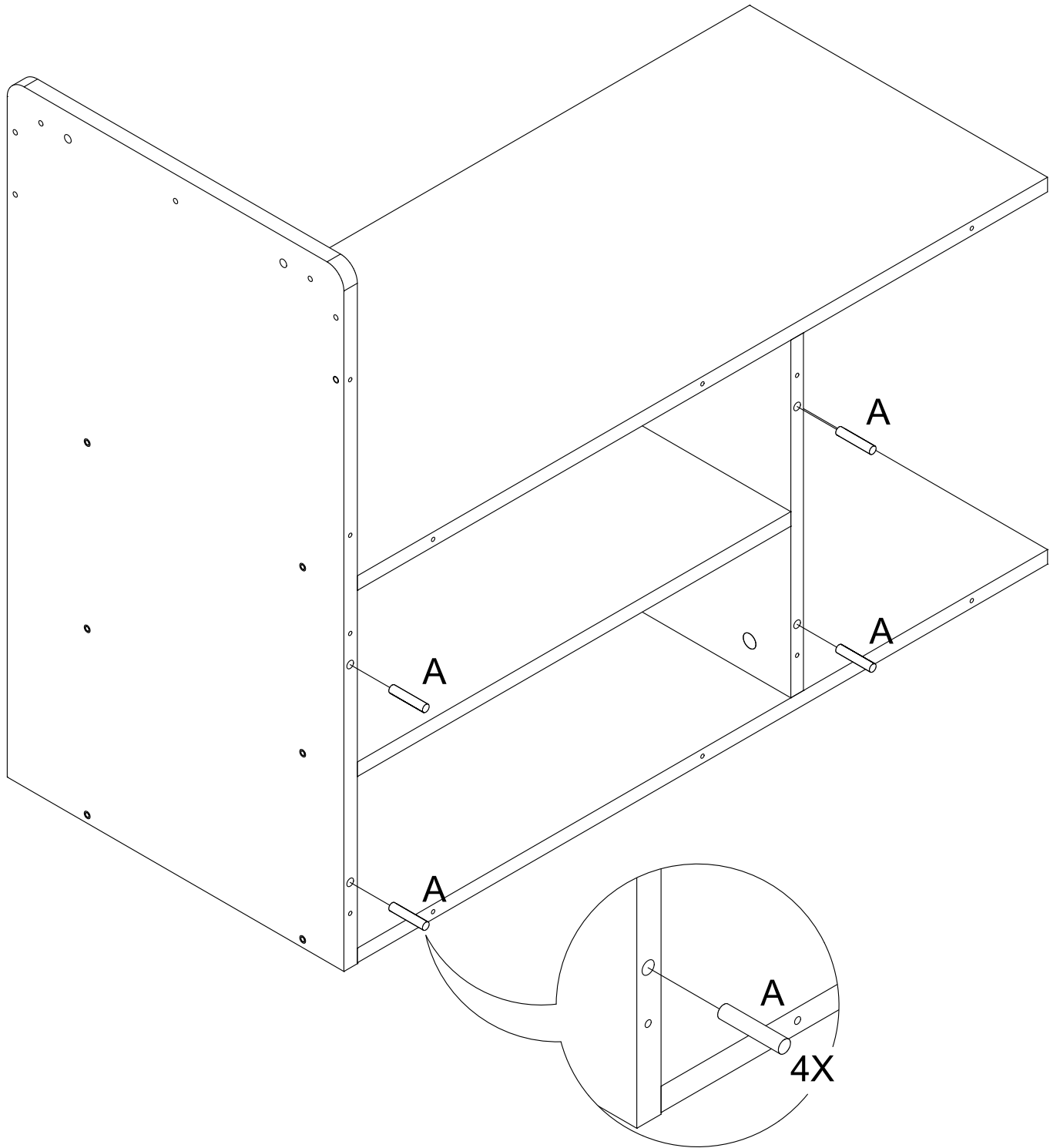
10mm



Ø5x40mm

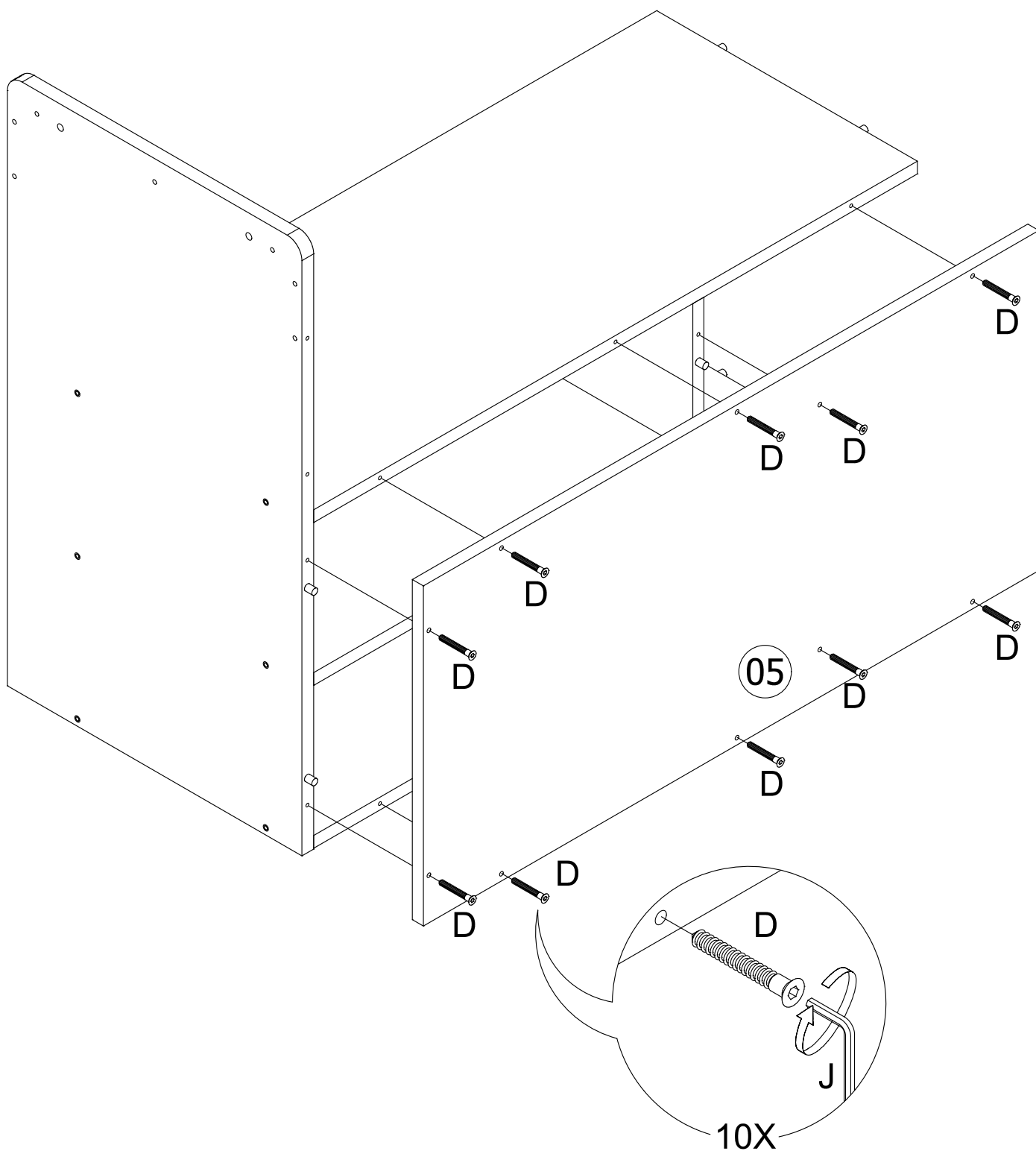
06

05



A		Ø8x30mm	04
---	---	---------	----

# 06



J



3mm

01

D

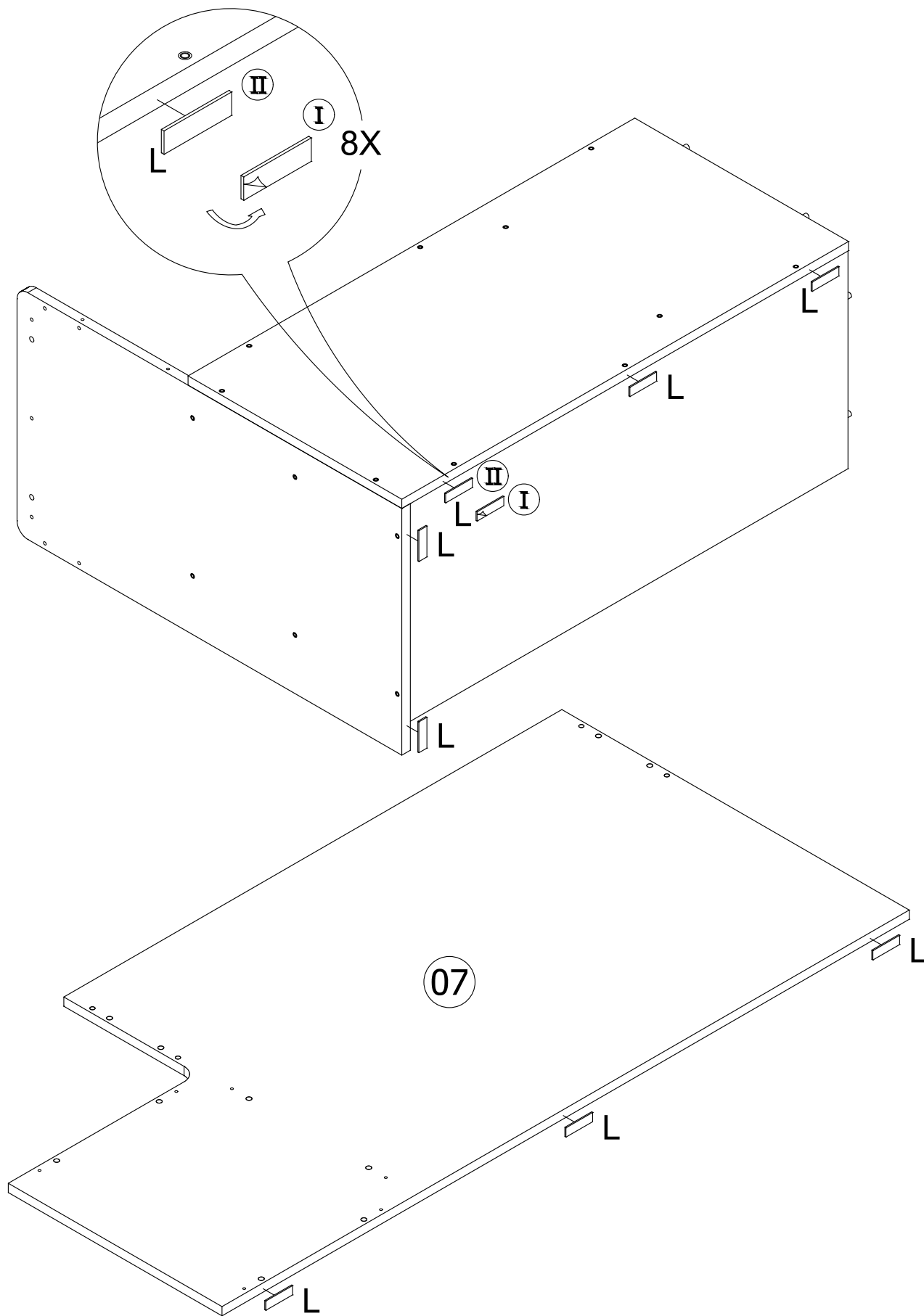
10mm




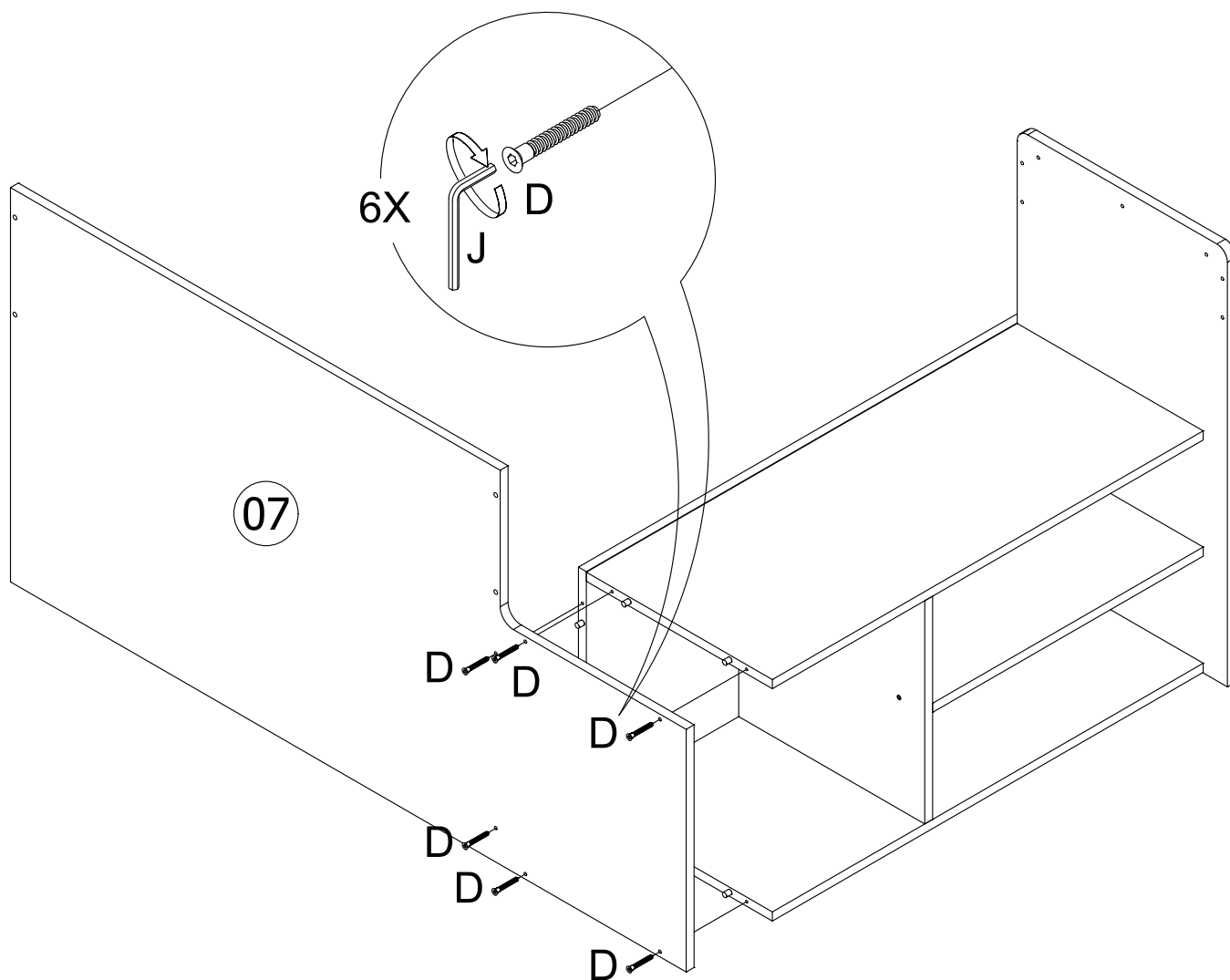
Ø5x40mm

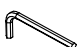
10

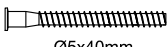
# 07

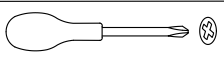
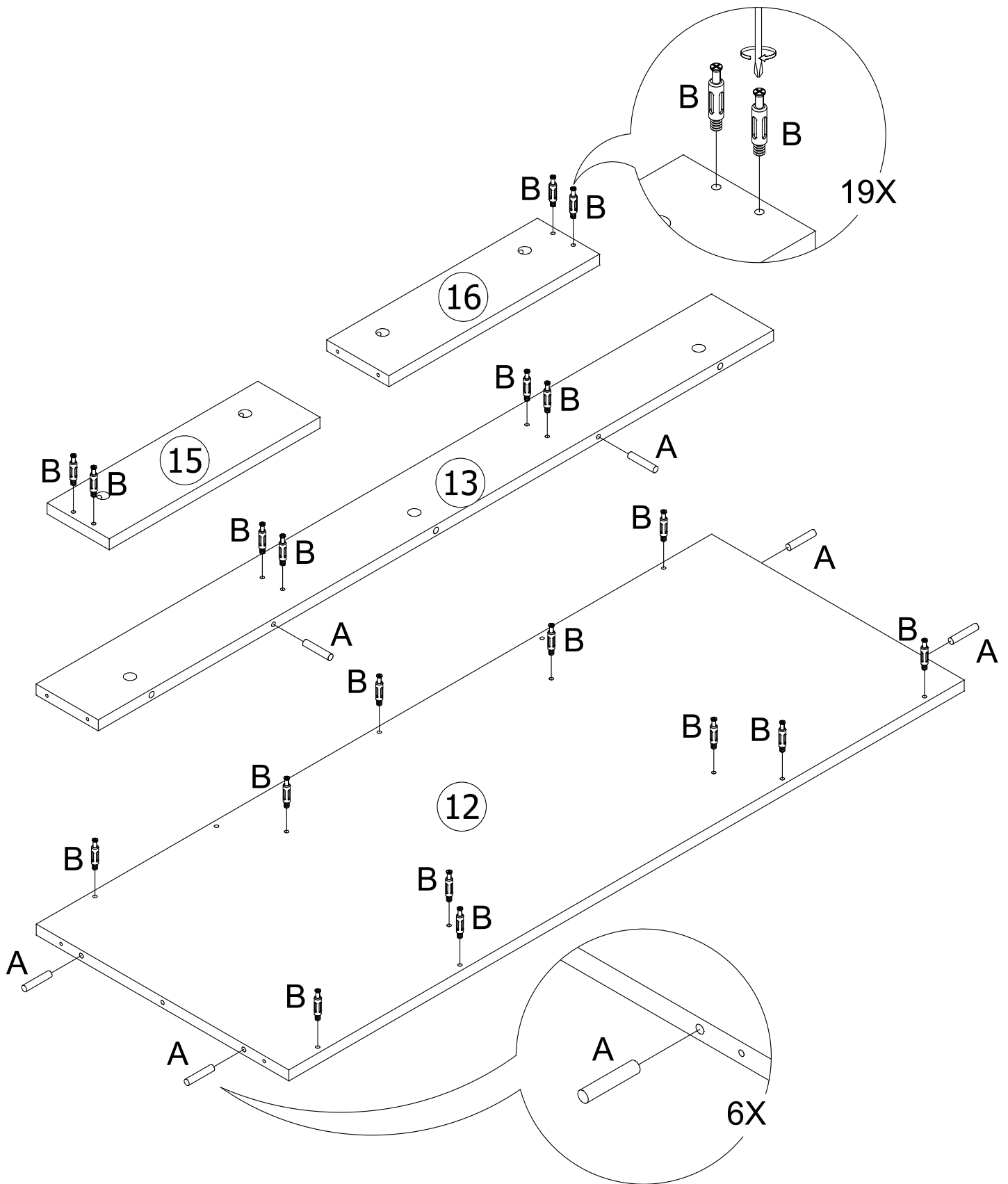



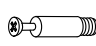
L		50X15X2mm	08
---	---	-----------	----



J		3mm	01
---	---	-----	----

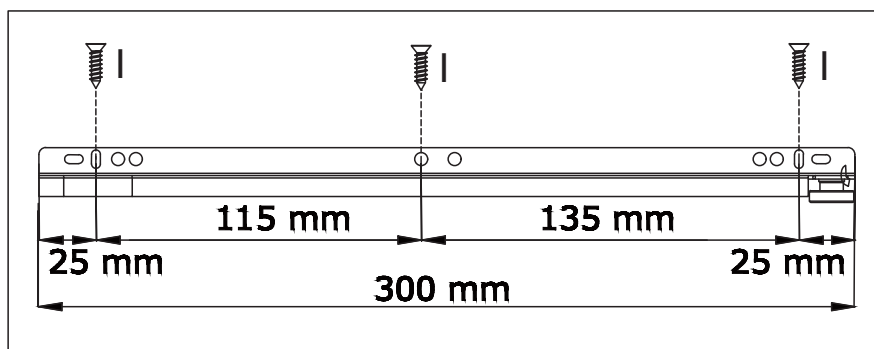
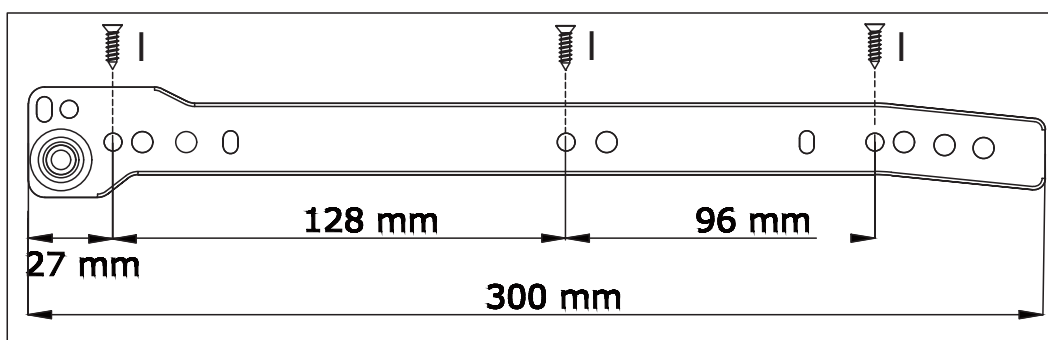
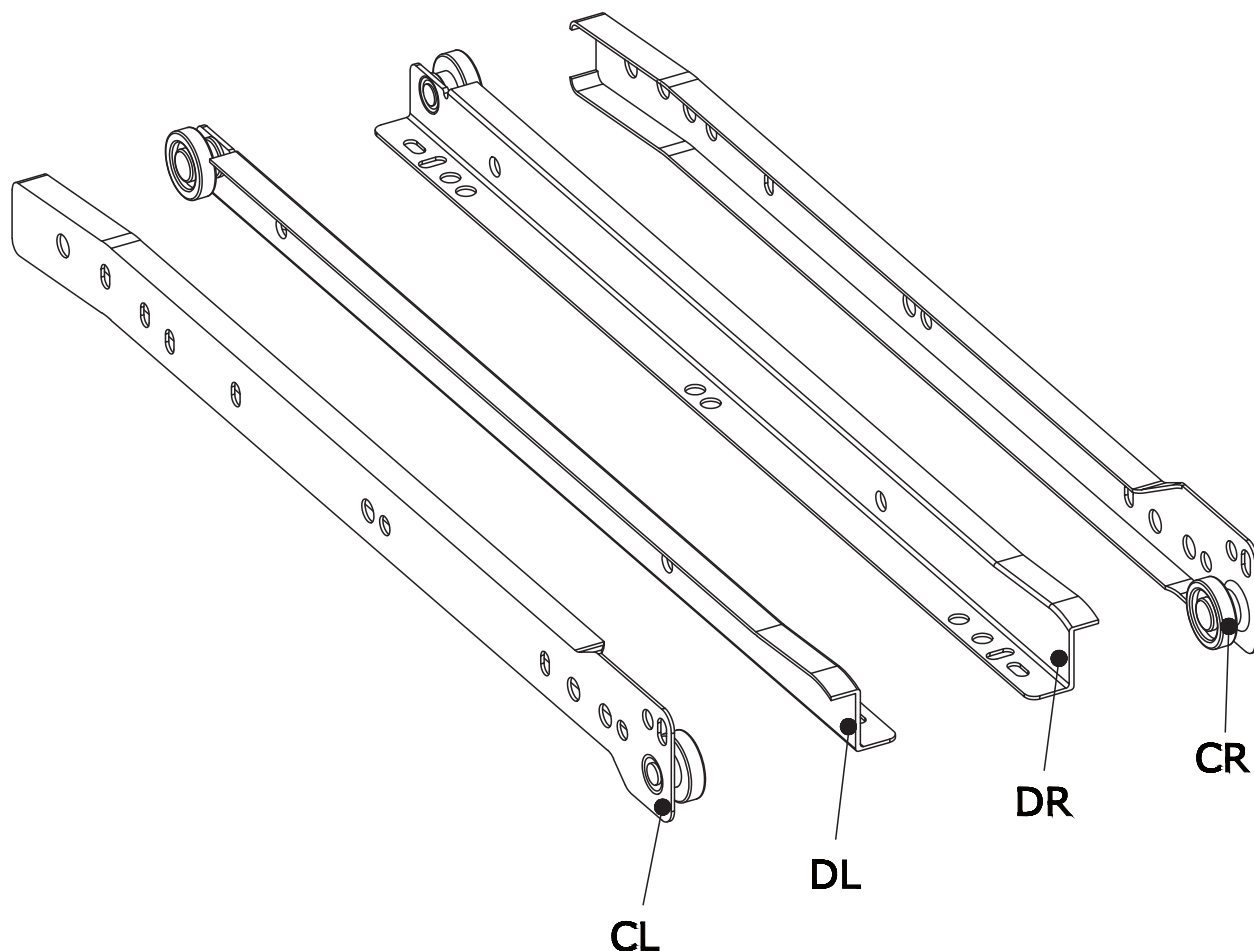
D		10mm	Ø5x40mm	06
---	---	------	---------	----



A		Ø8x30mm	06
B		M6x40mm	19

$$G = CL + CR$$

$$H = DL + DR$$

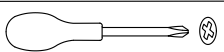
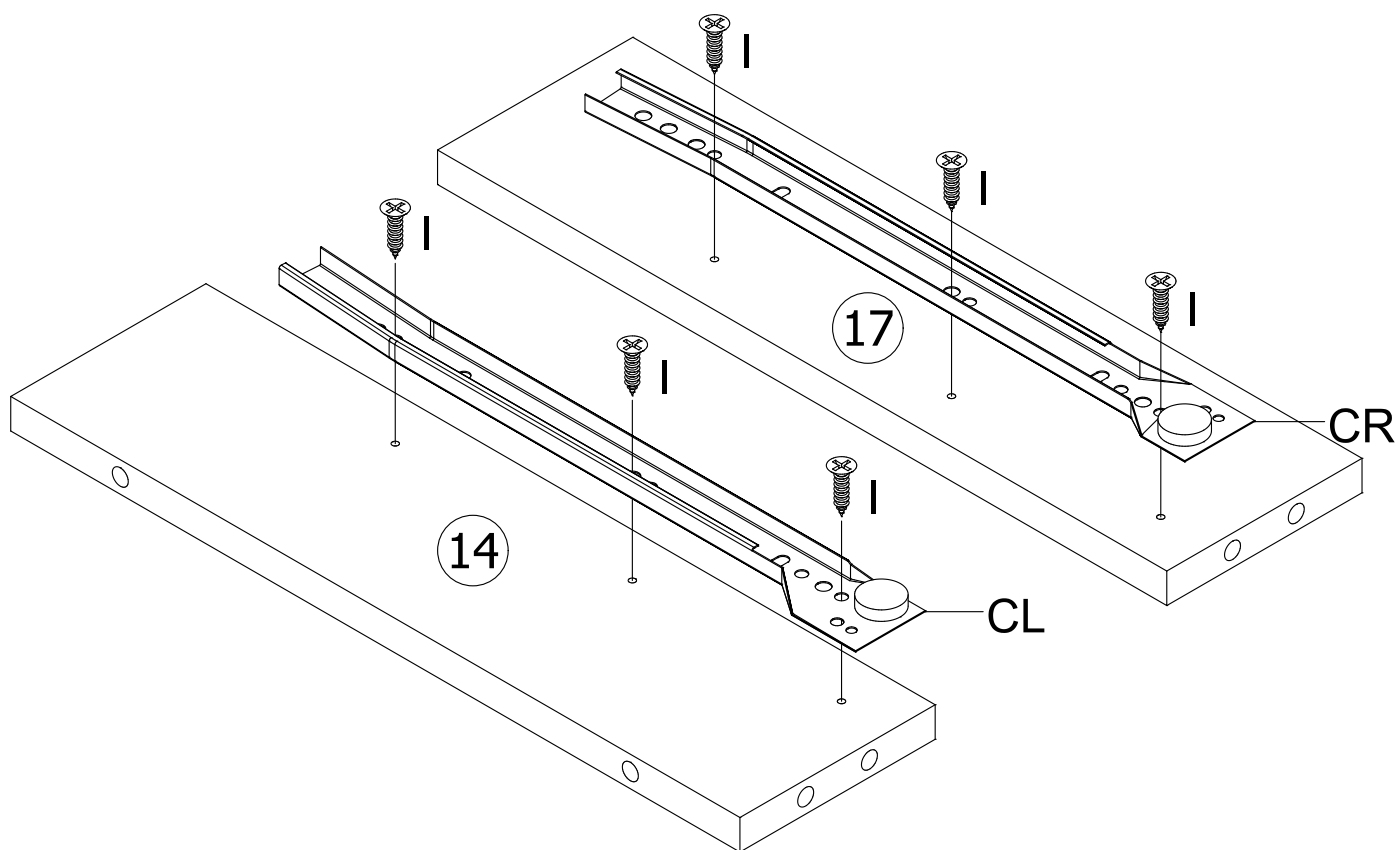
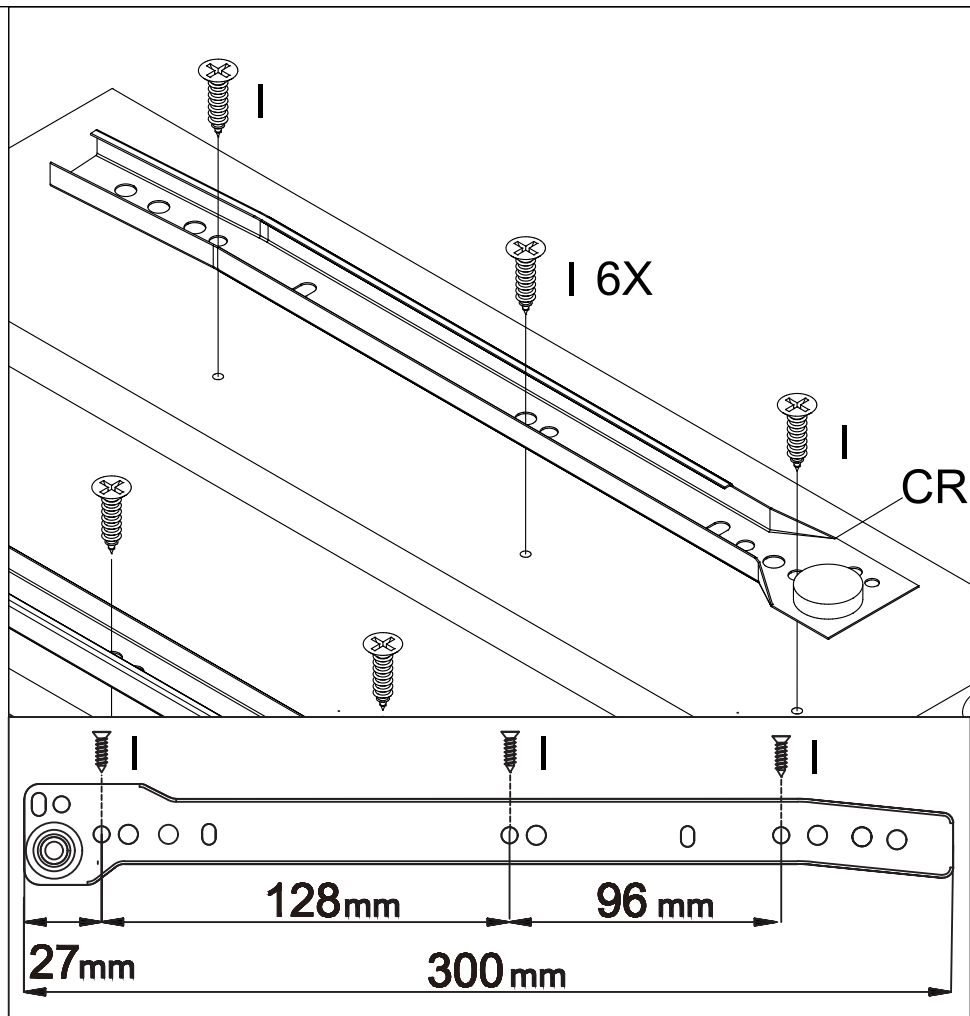




# 10

G=1xCL & 1xCR

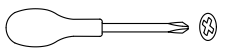
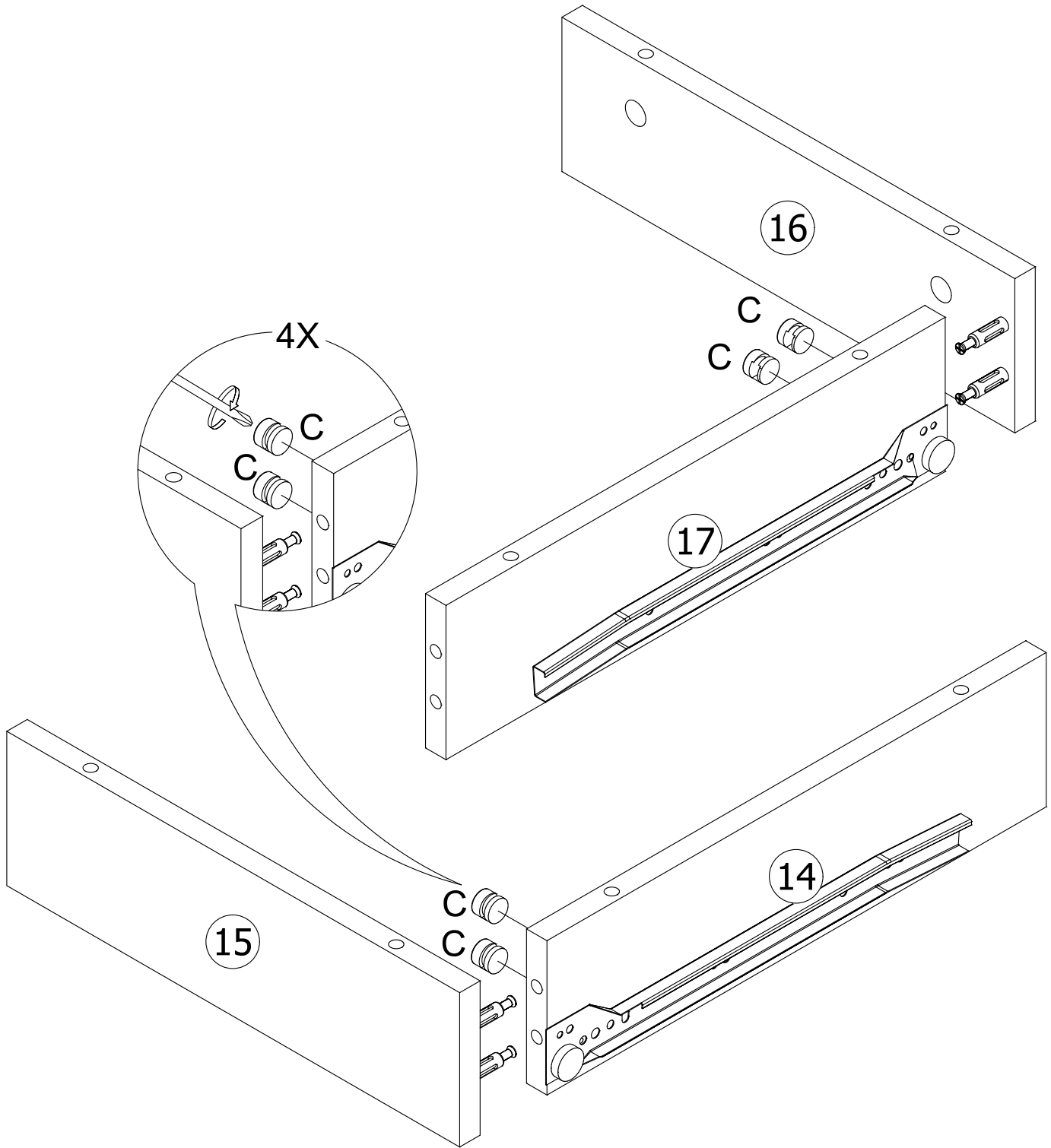
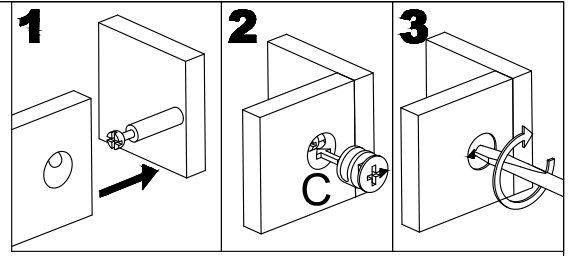
G contains hardware

1xCL & 1xCR



G		RIGHT OR LEFT	02
I		Ø3.5x14mm	06

# 11



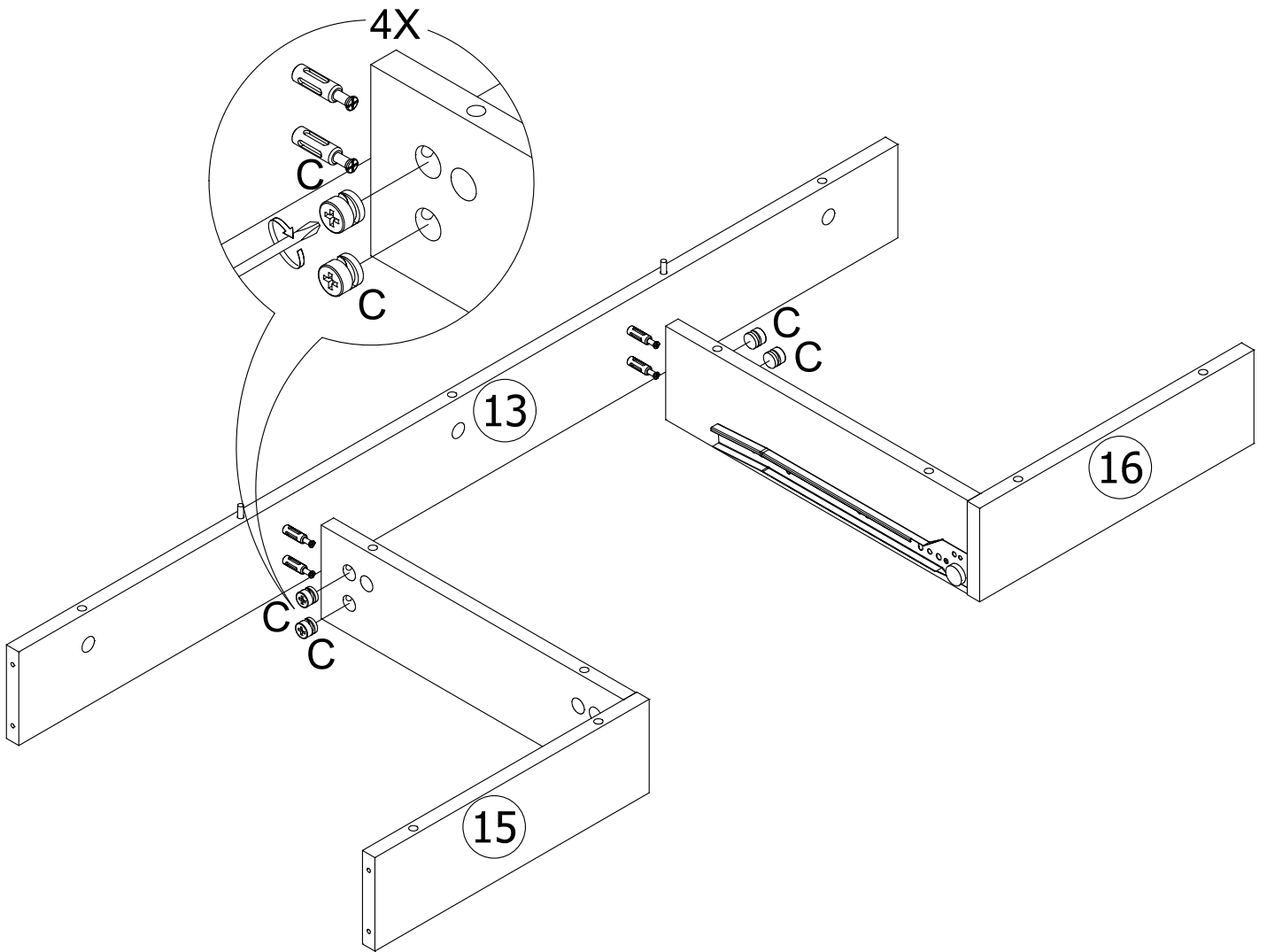
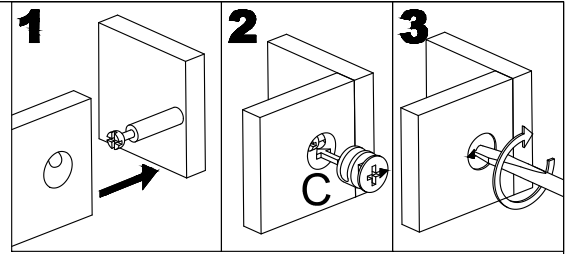
C



Ø15x11mm

04

# 12



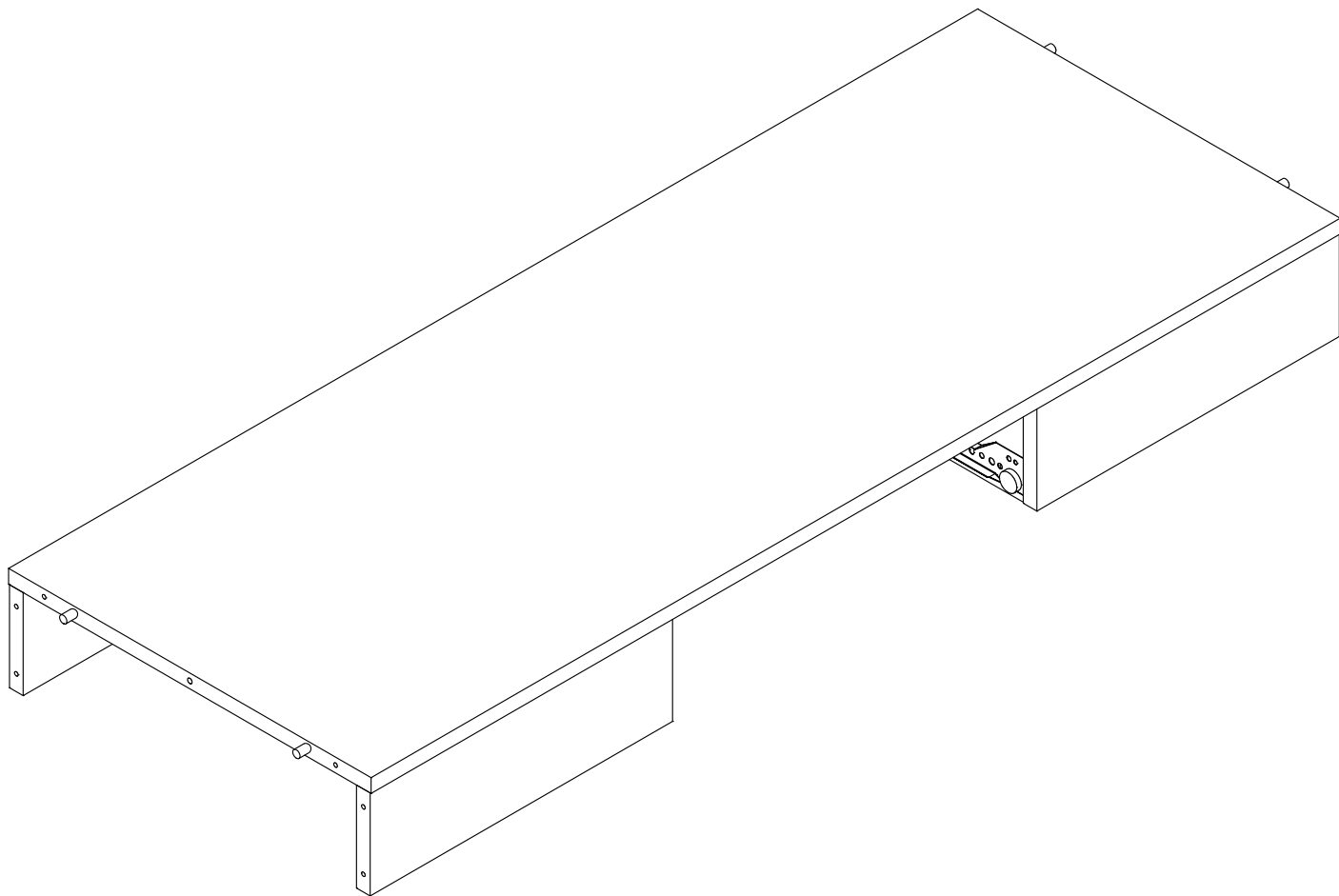
**C**

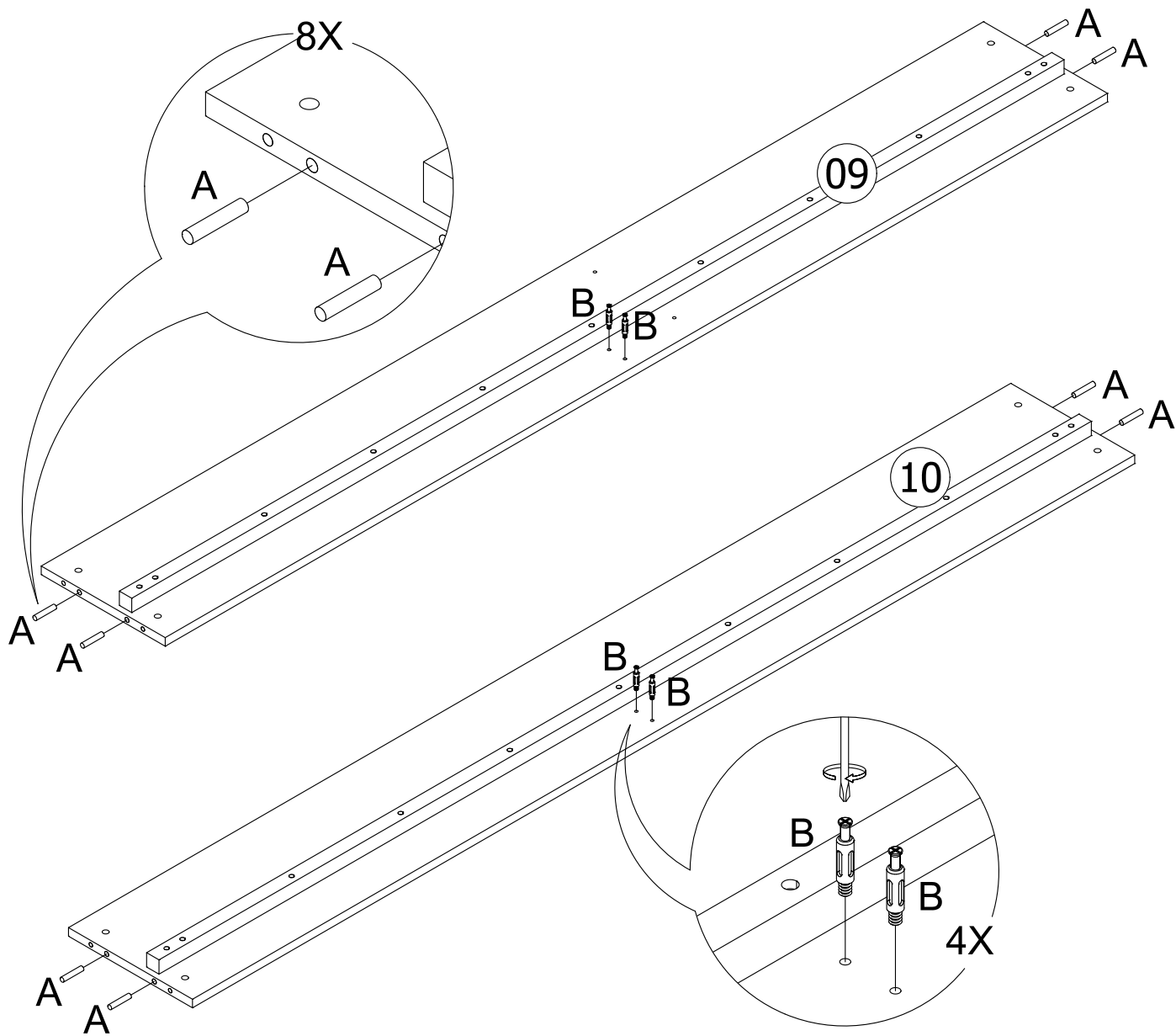



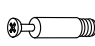
Ø15x11mm

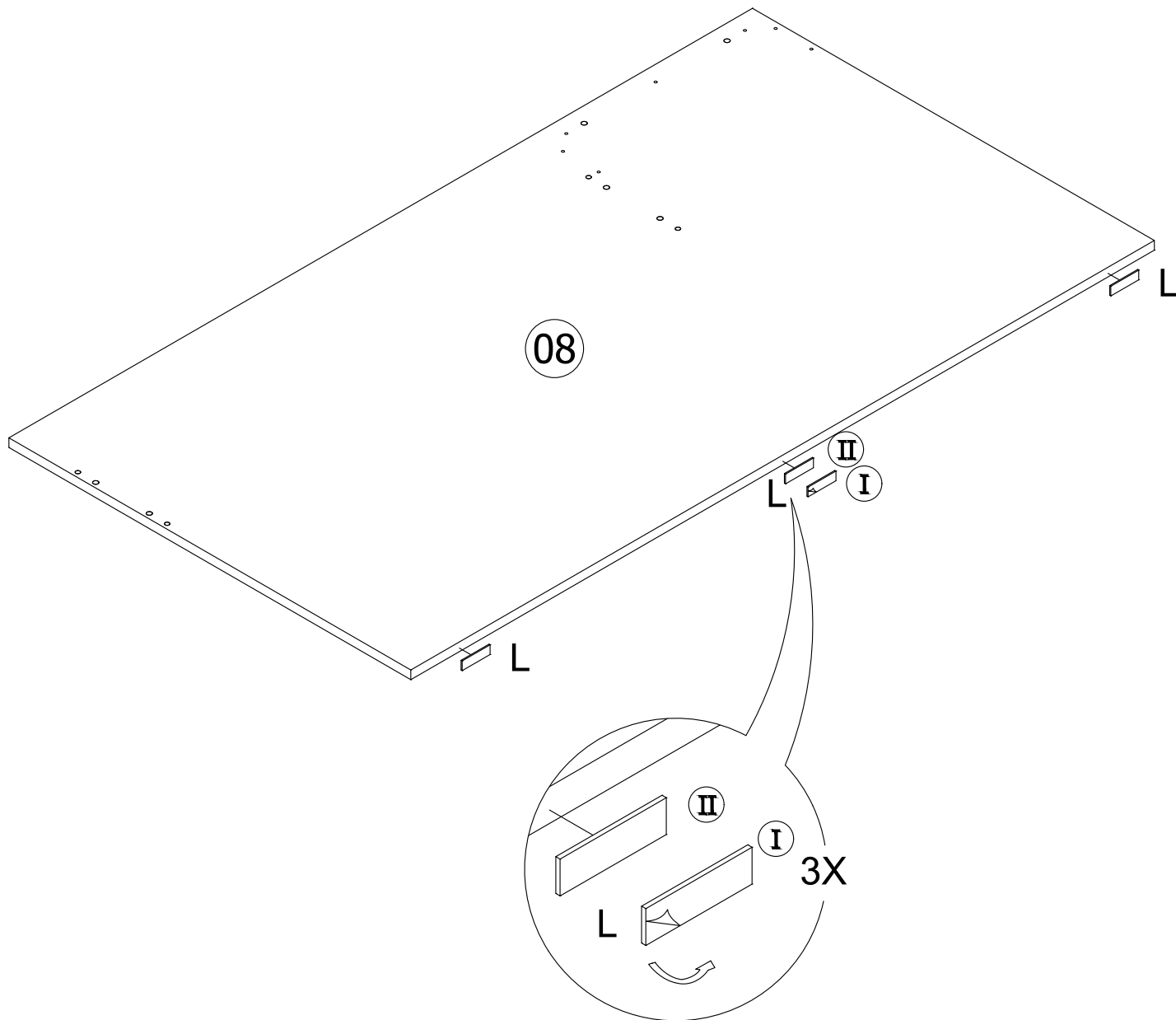
**04**




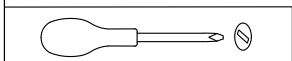
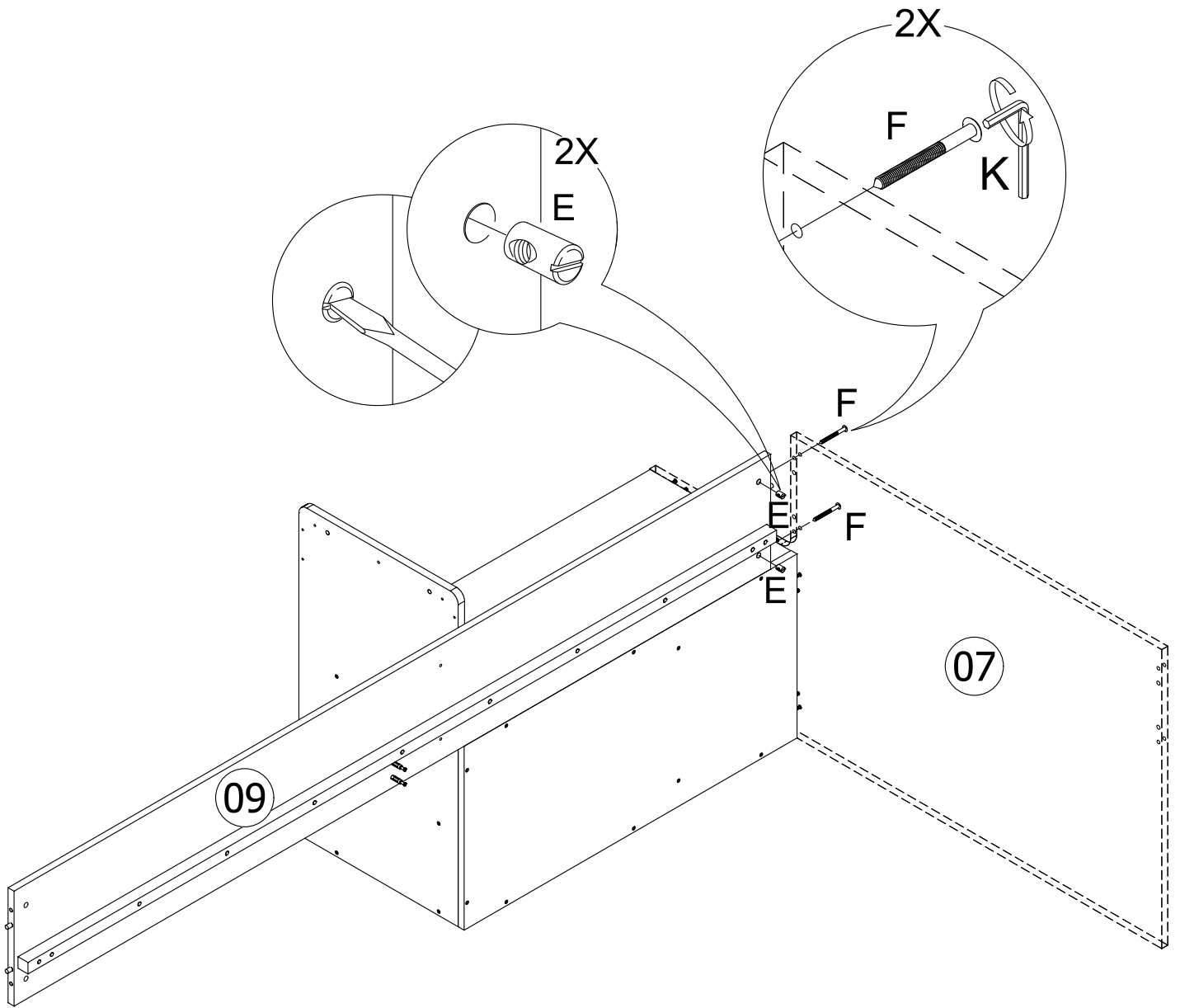


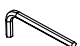


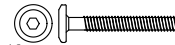

A		Ø8x30mm	08
B		M6x40mm	04



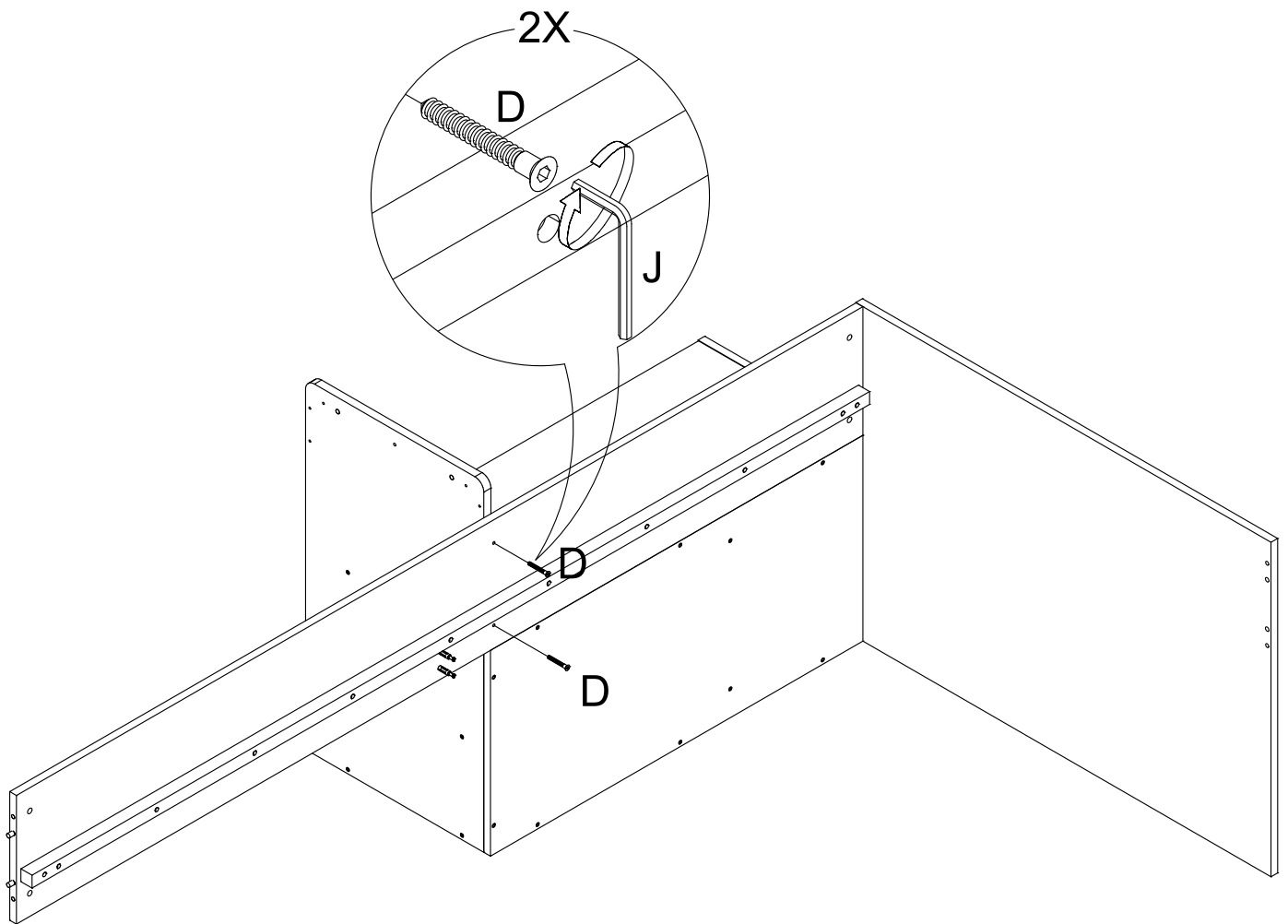
L		50X15X2mm	03
---	---	-----------	----



K		4mm	01
---	---	-----	----

F		M6x60mm	02
E		Ø10x11mm	02

# 18



J

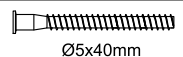


4mm

01

D

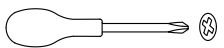
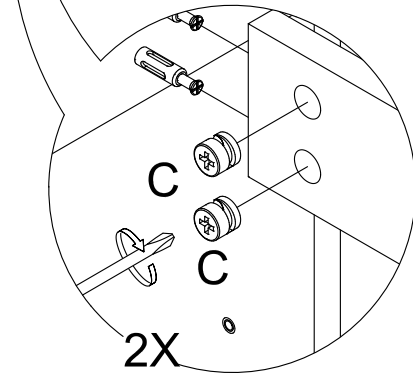
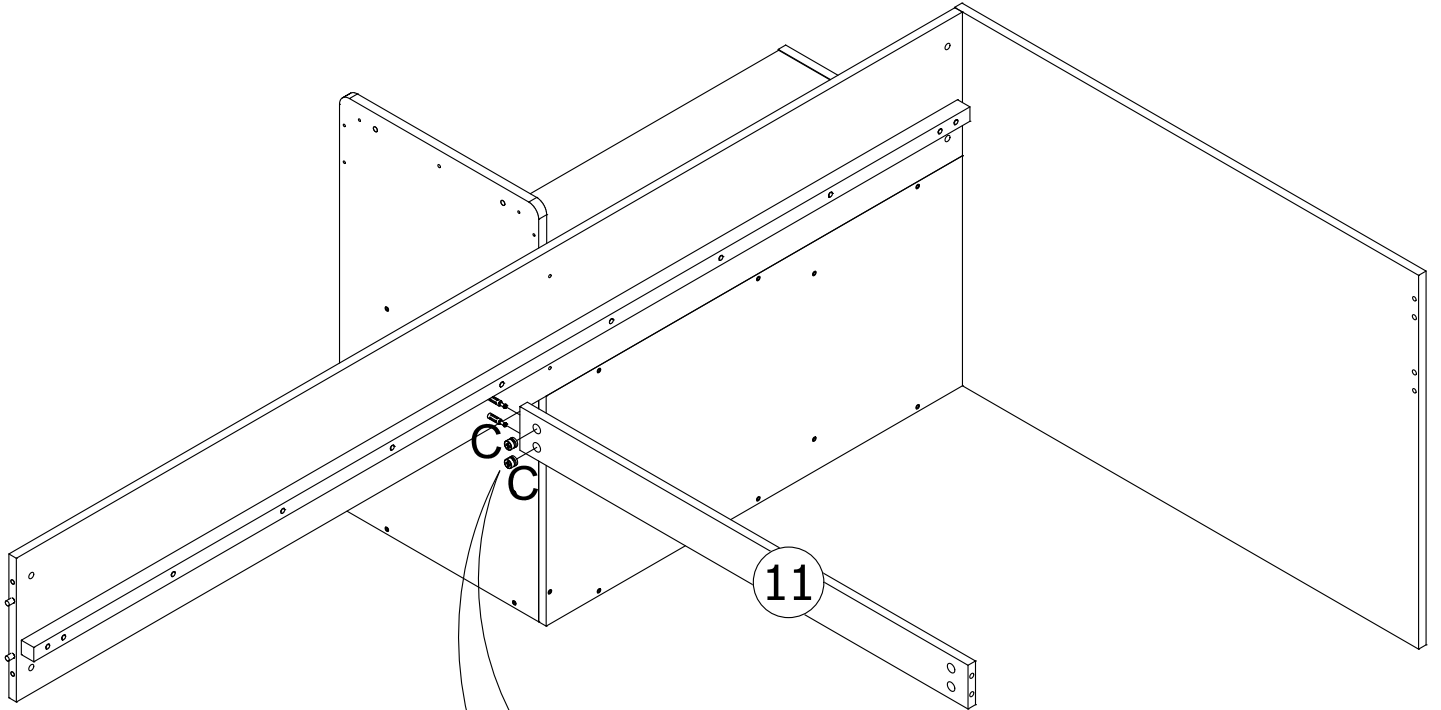
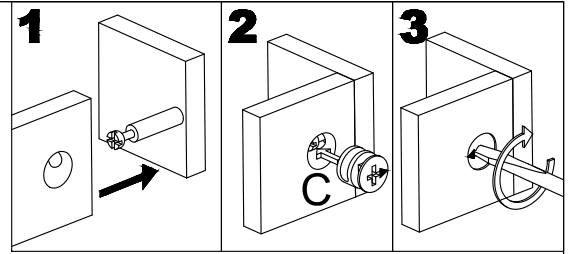
10mm



Ø5x40mm

02

# 19



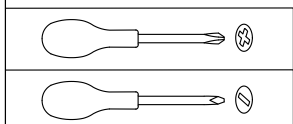
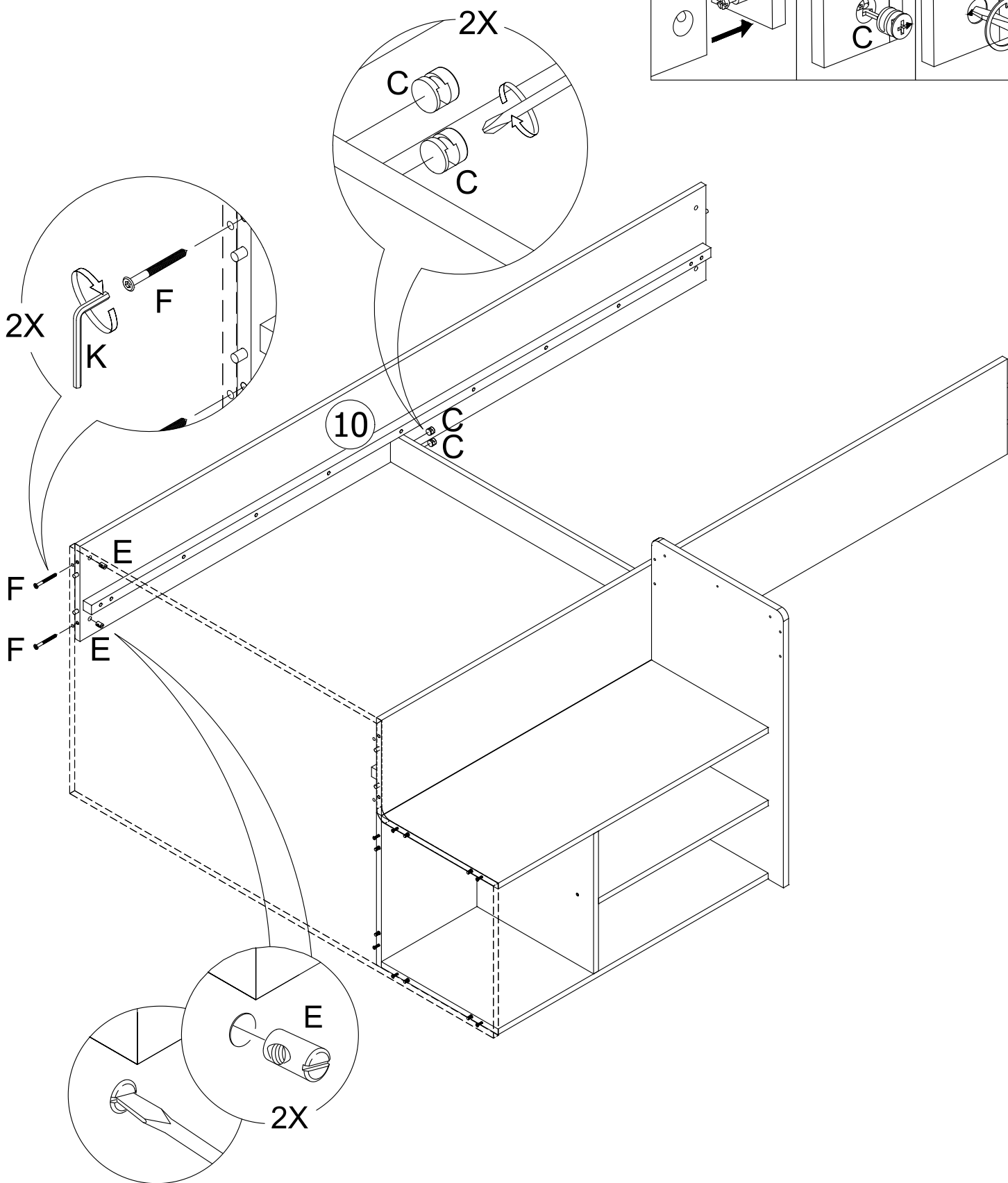
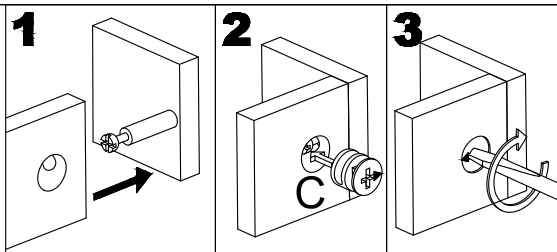
C

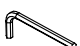





Ø15x11mm

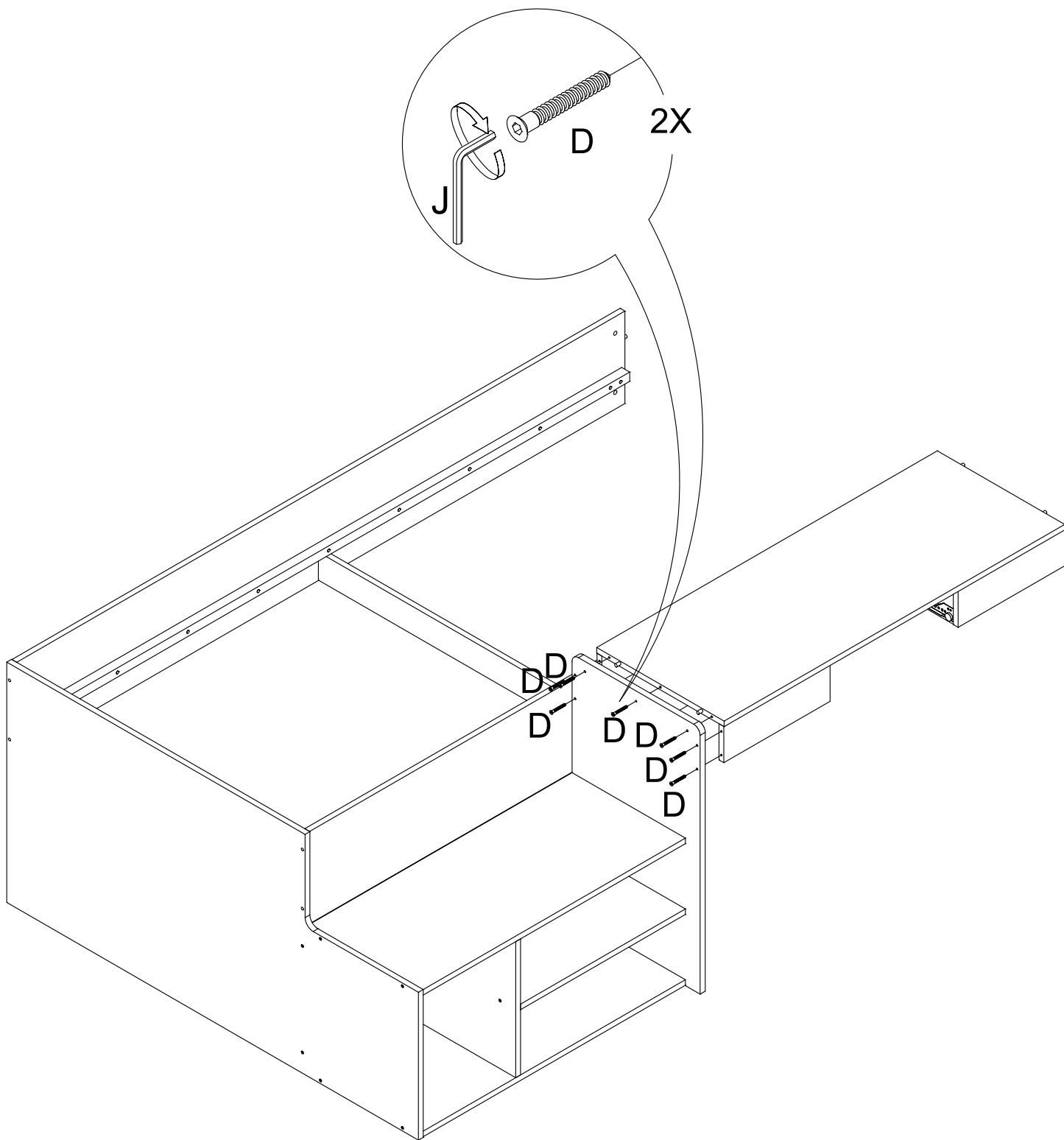
02

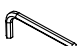
# 20

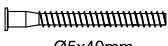


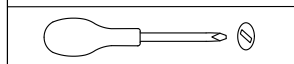
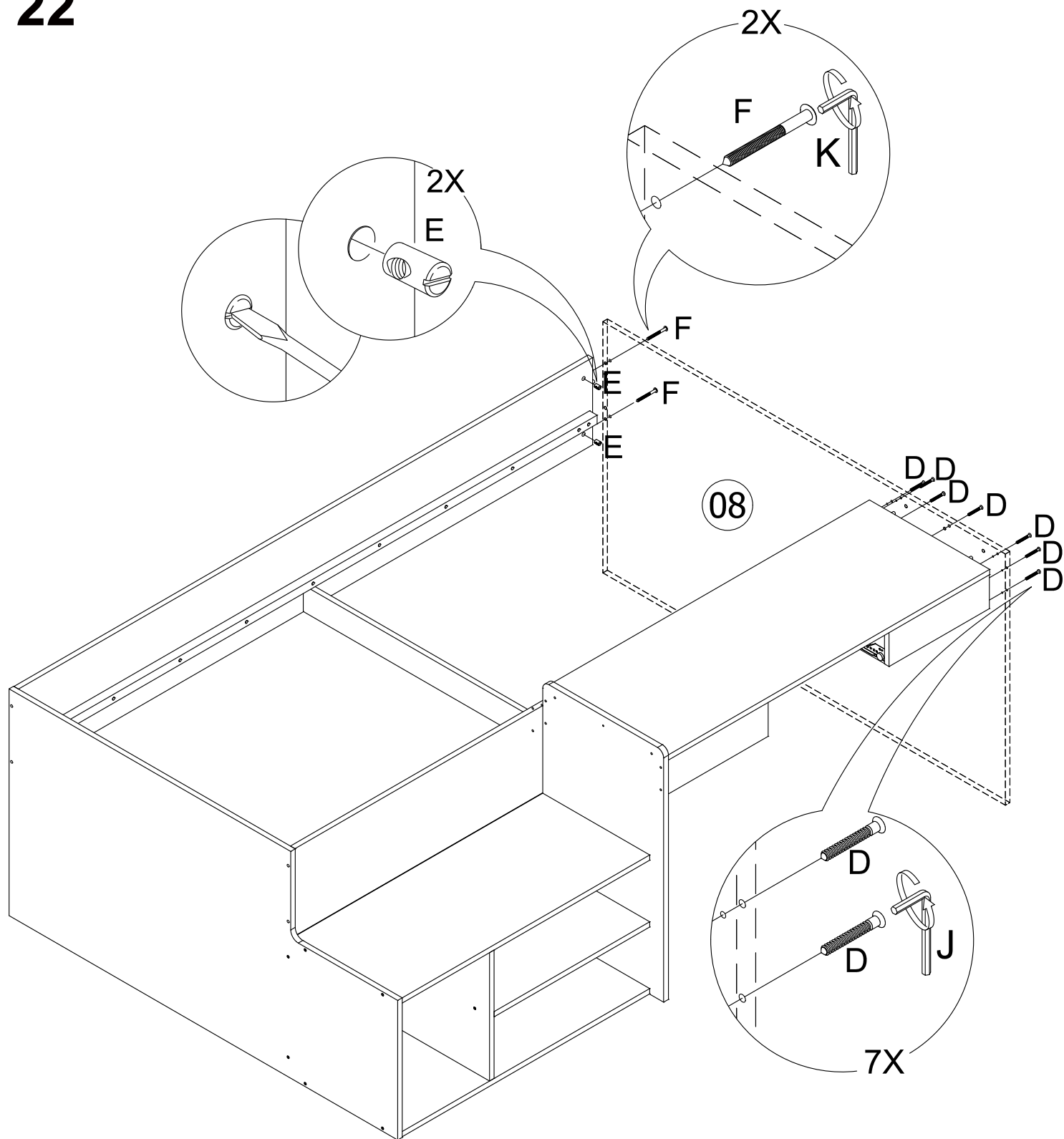
K		4mm	01
---	---	-----	----

F		M6x60mm 13mm	02
E		Ø10x11mm	02
C		Ø15x11mm	02



J		3mm	01
---	---	-----	----

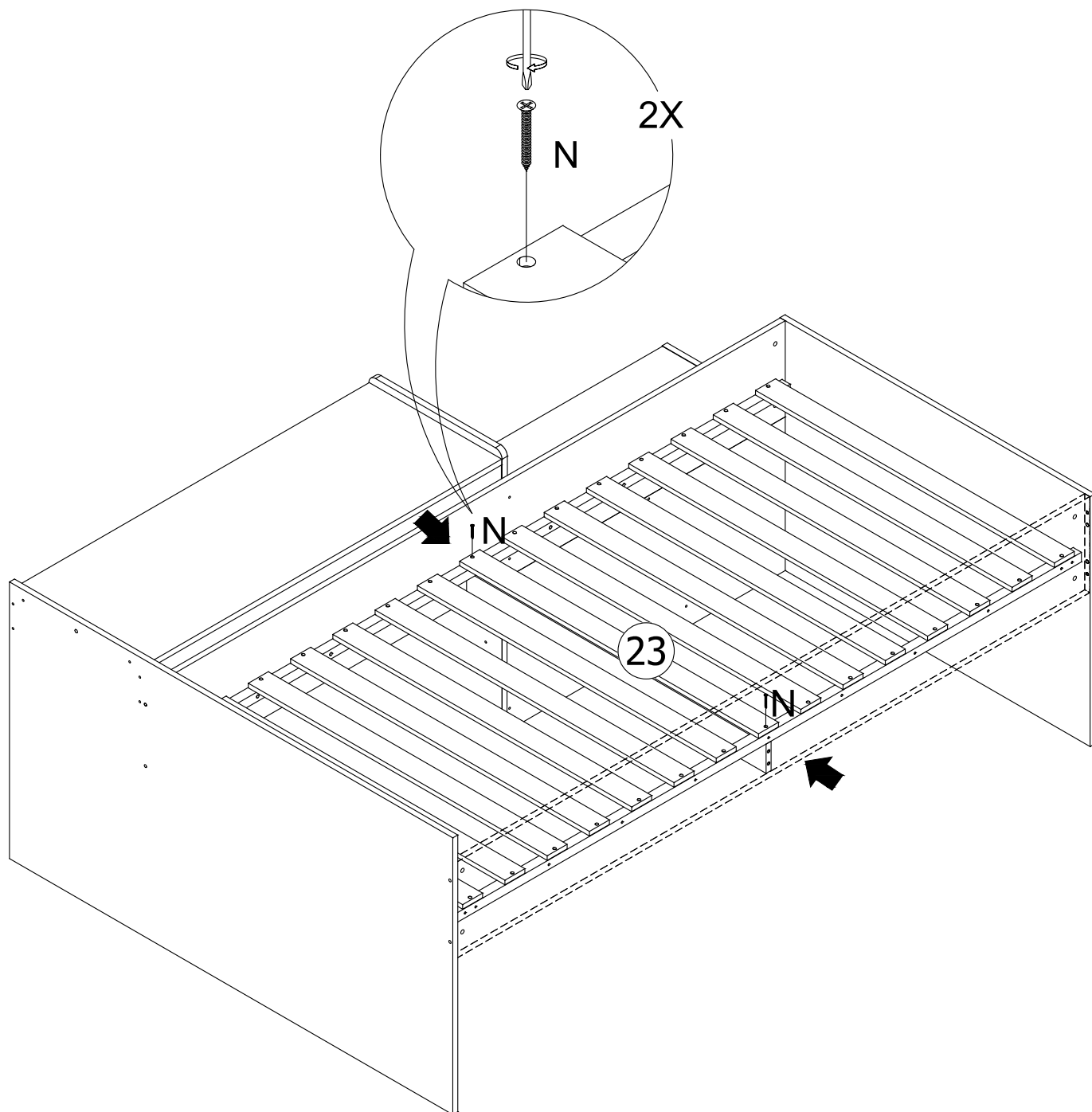
D		10mm Ø5x40mm	07
---	---	-----------------	----



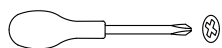
J		3mm	01
K		4mm	01

D		10mm Ø5x40mm	07
F		M6x60mm 13mm	02
E		Ø10x11mm	02

# 23

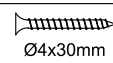


**WARNING:**  
Press the middle of bed sides  
and tighten the screw first.

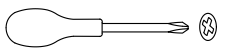
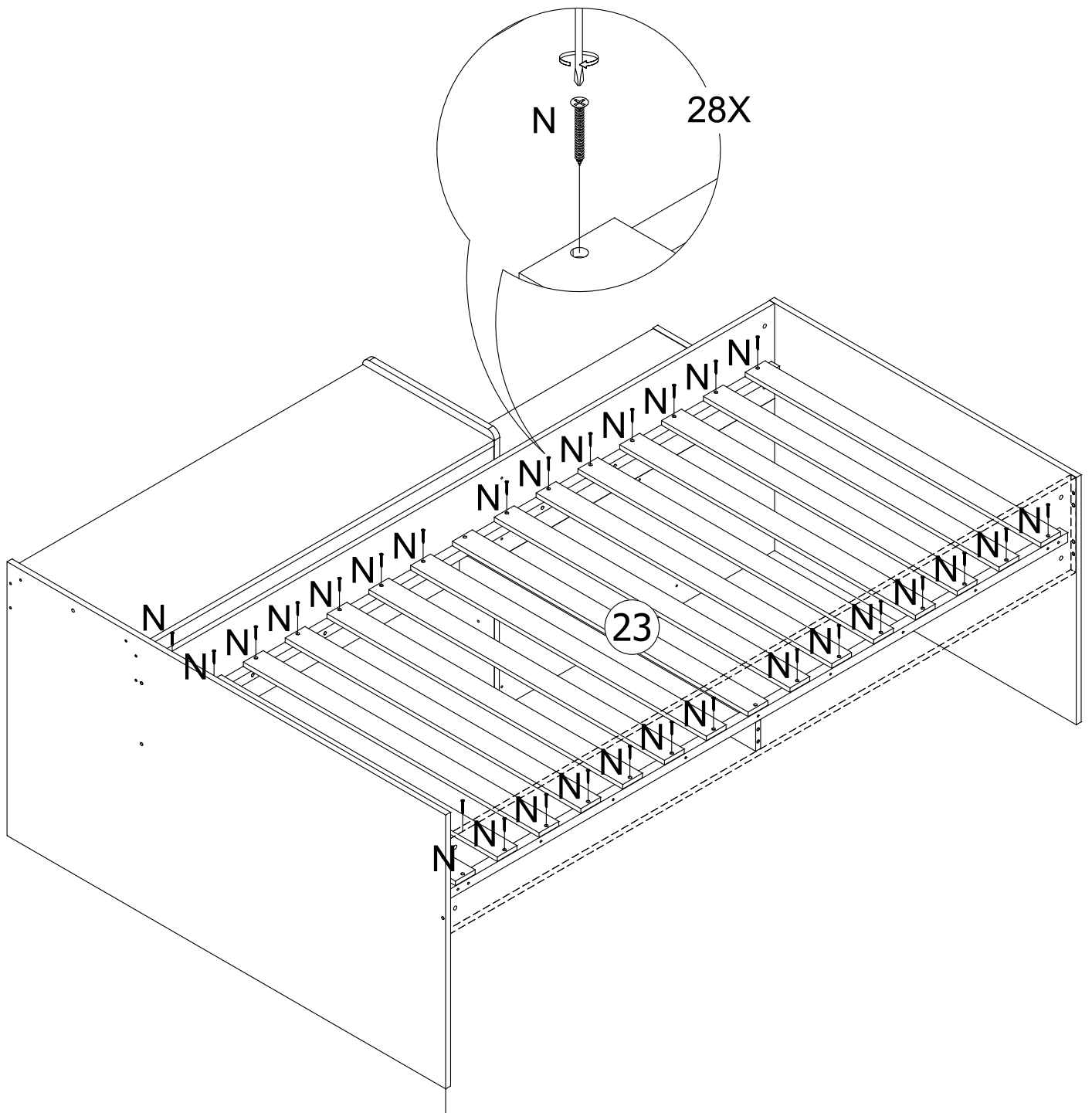


N

8mm

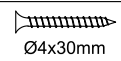


02

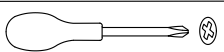
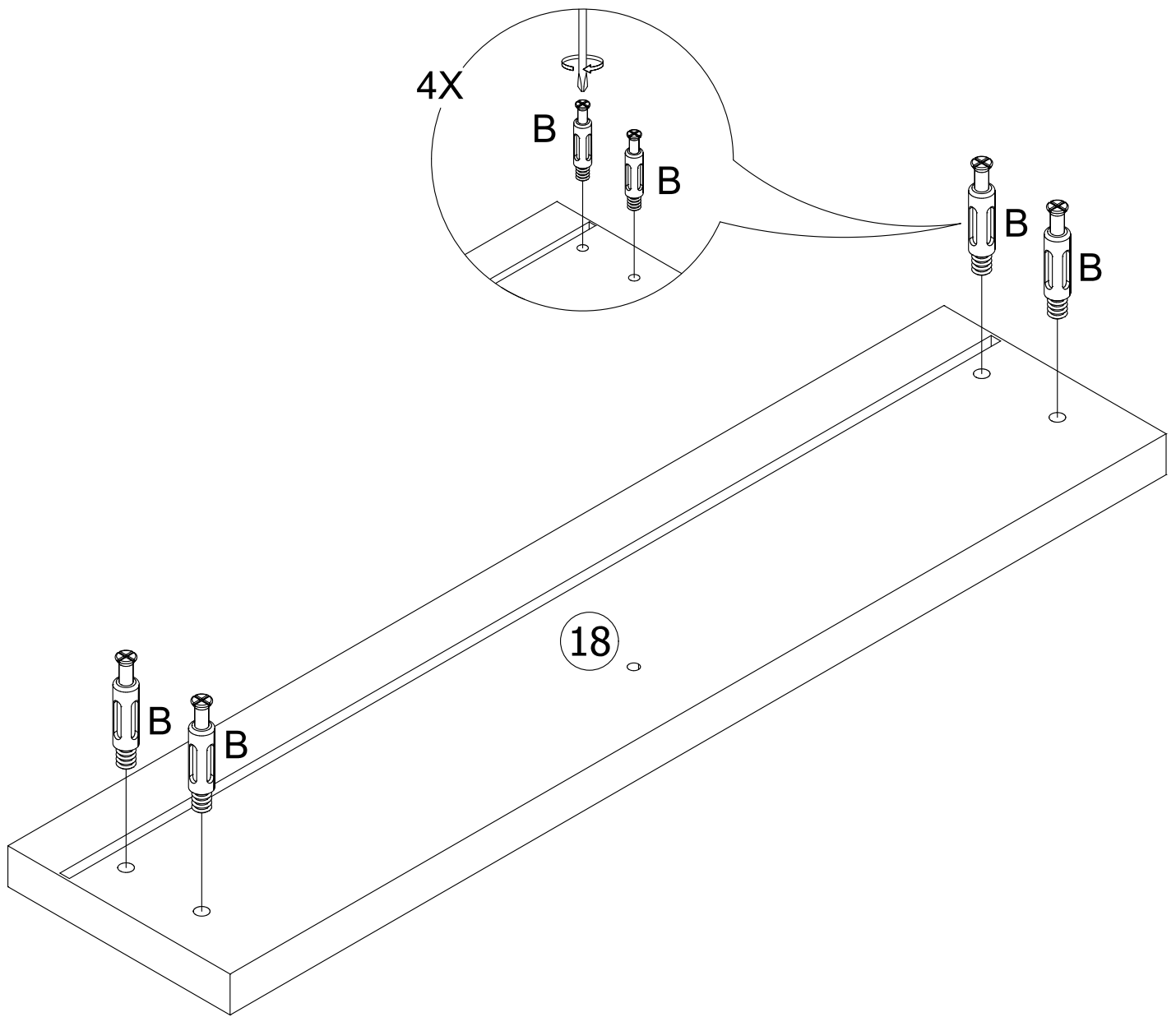


N

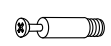
8mm



28



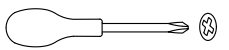
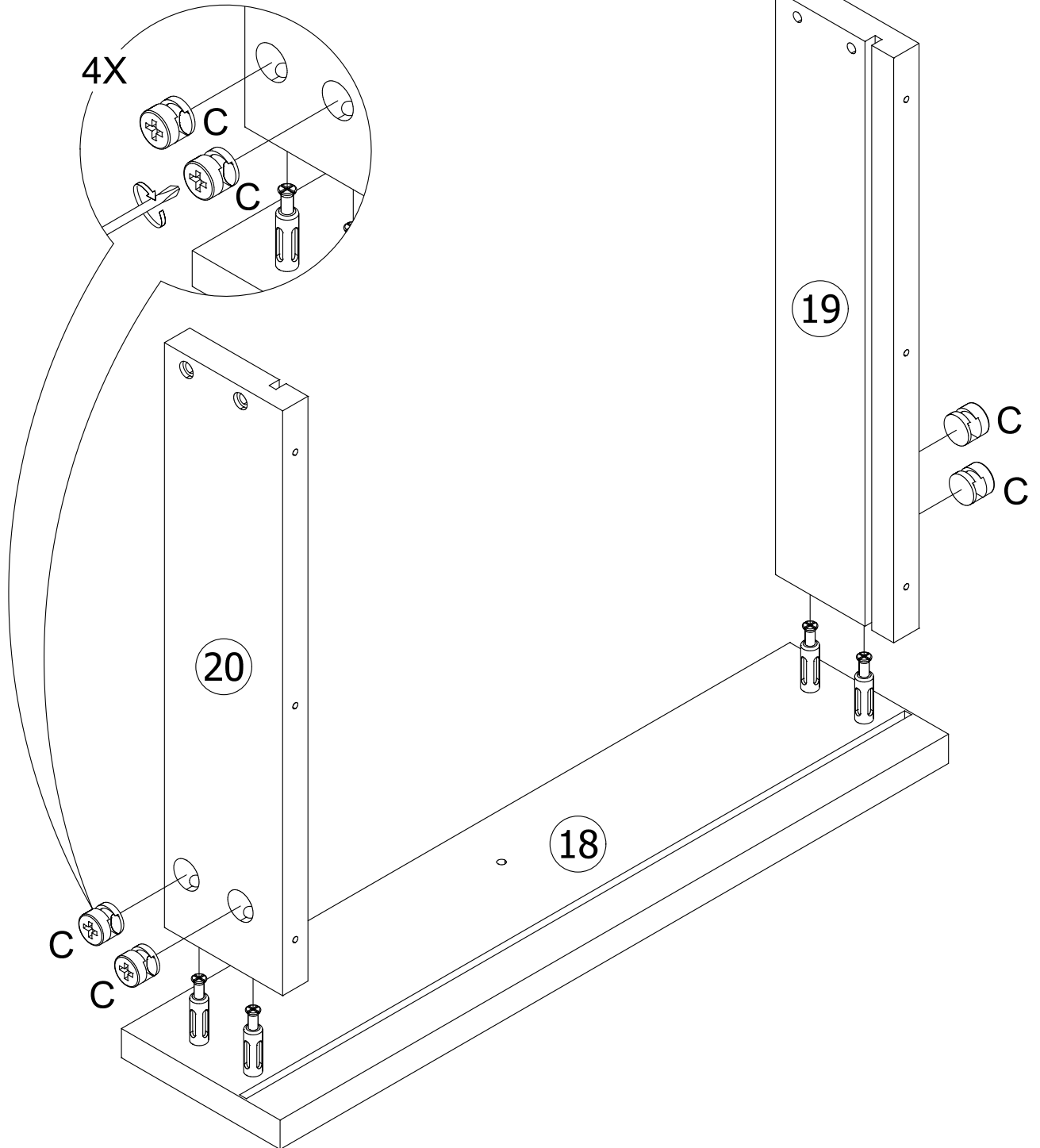
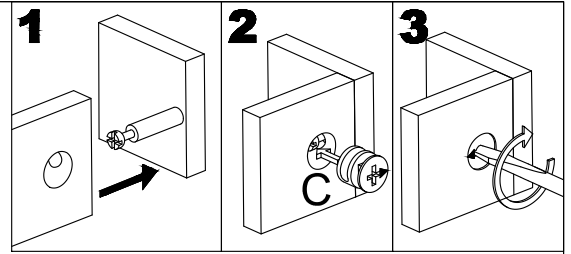
B



M6x40mm

04

# 26

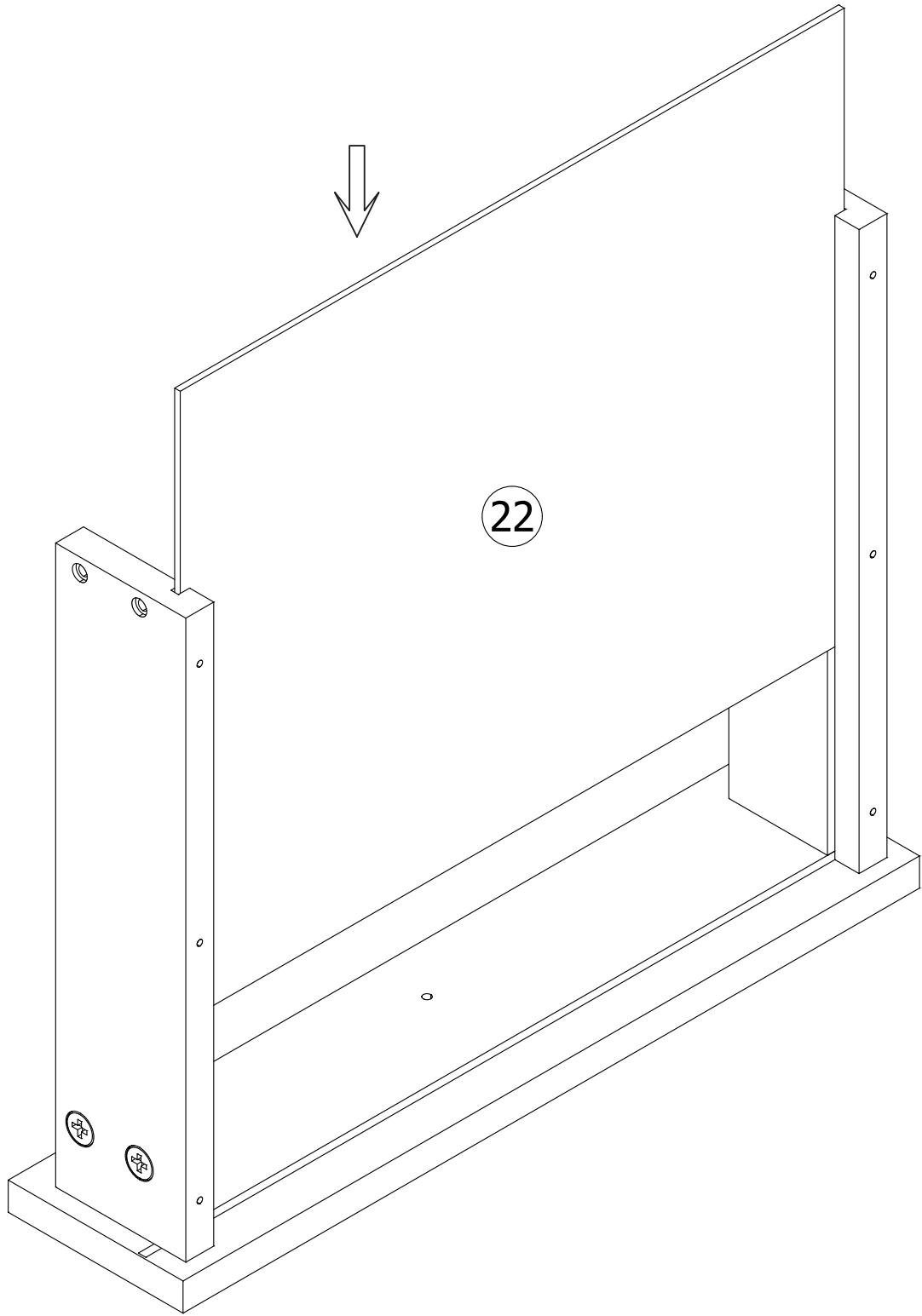


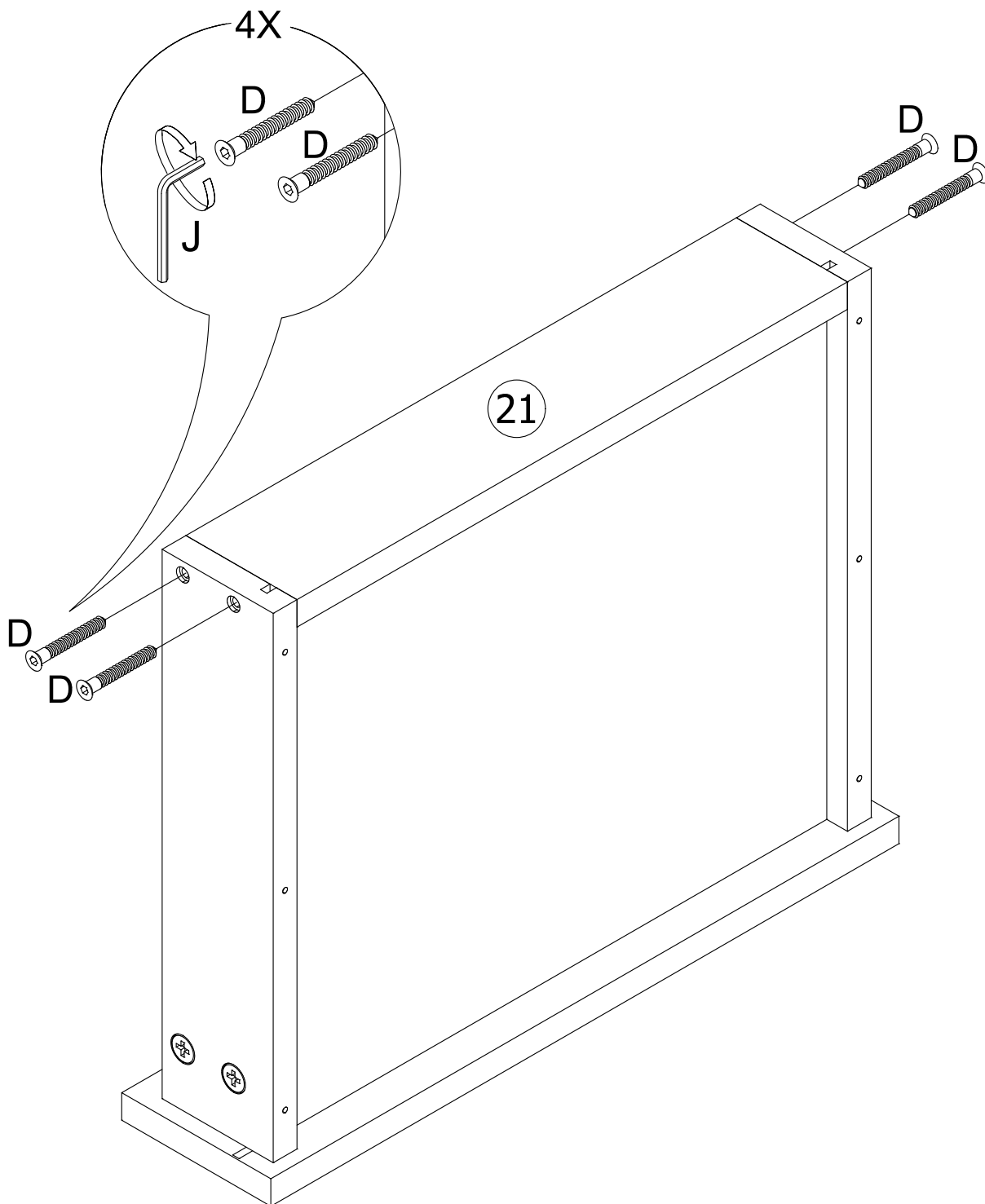
C

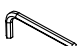


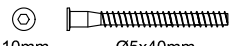
Ø15x11mm

04





J		3mm	01
---	---	-----	----

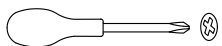
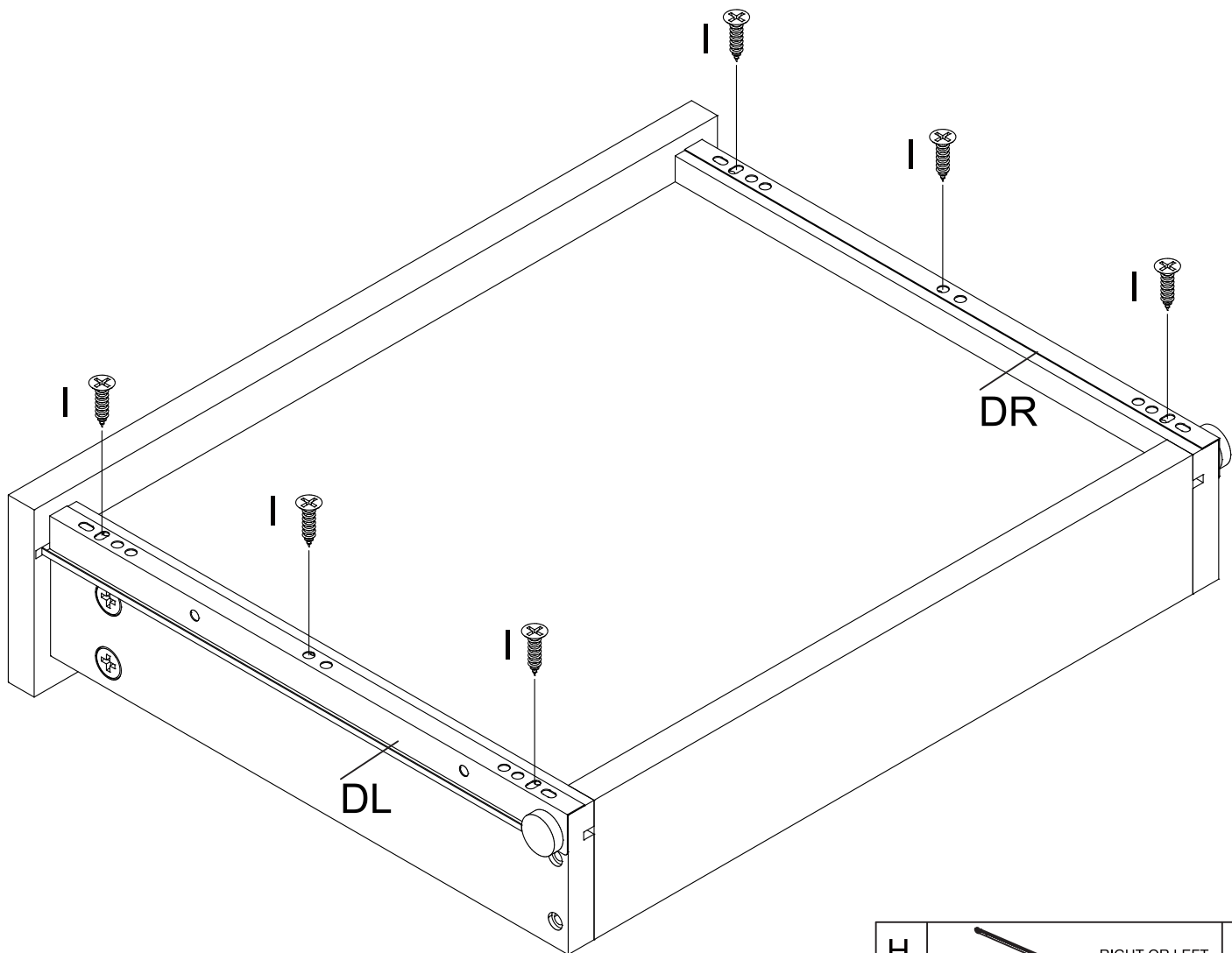
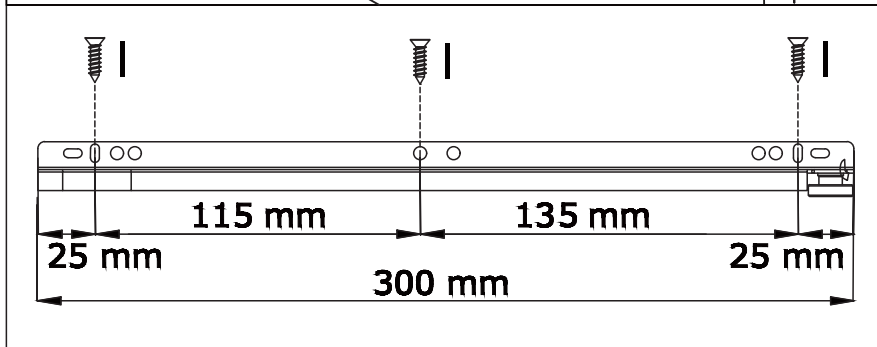
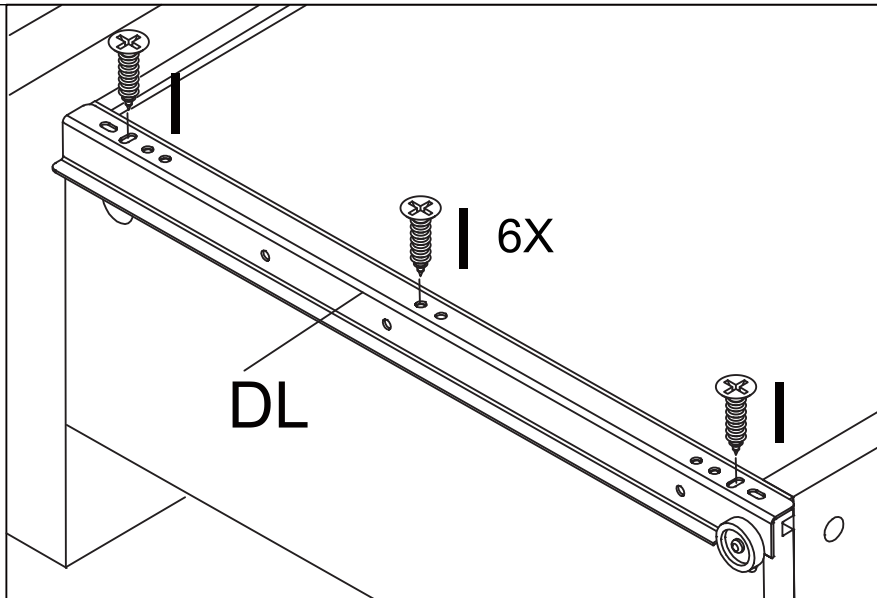
D		10mm Ø5x40mm	04
---	---	-----------------	----


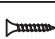
# 29

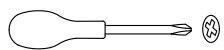
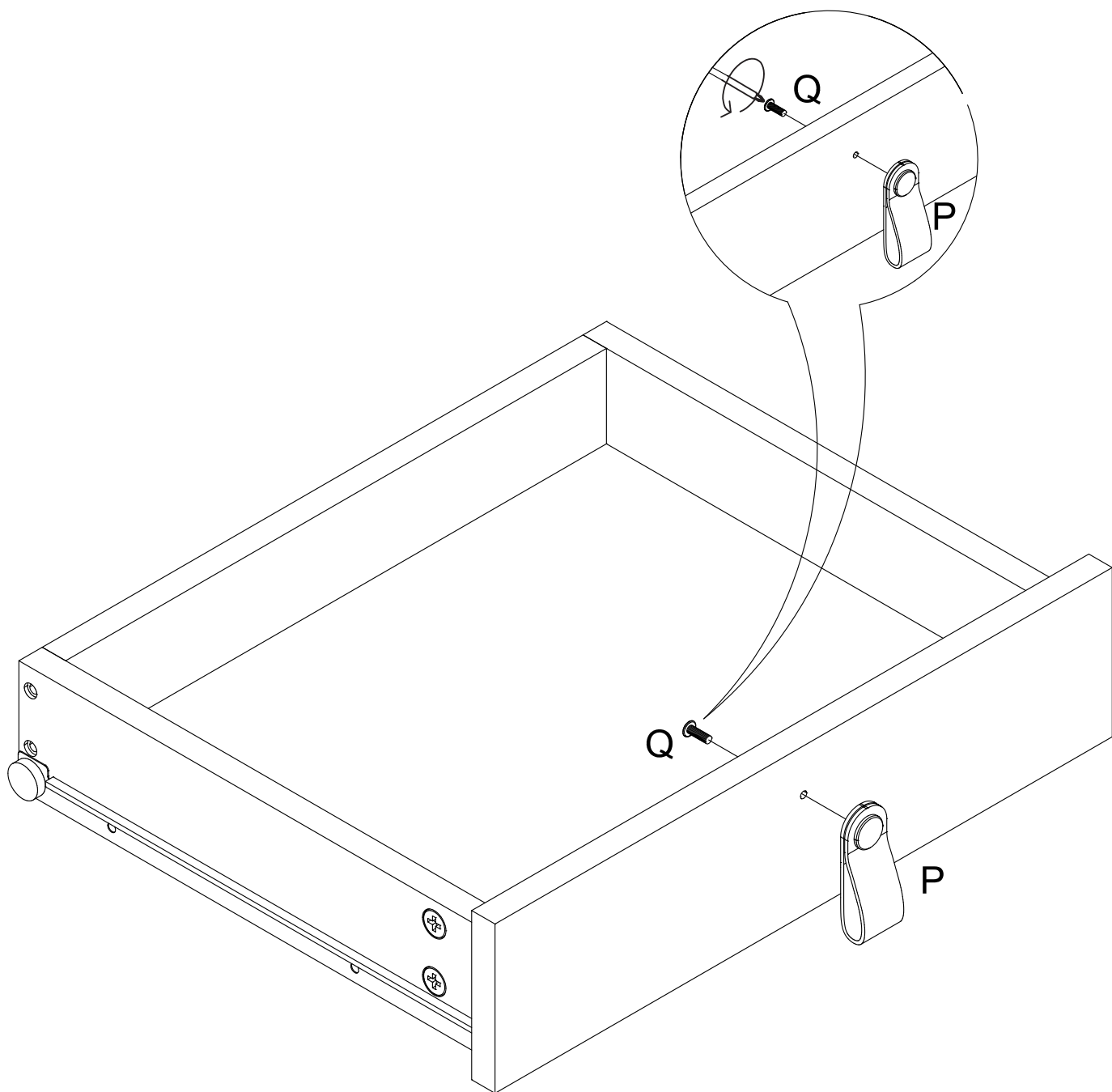
H=1xDL & 1xDR



H contains hardware

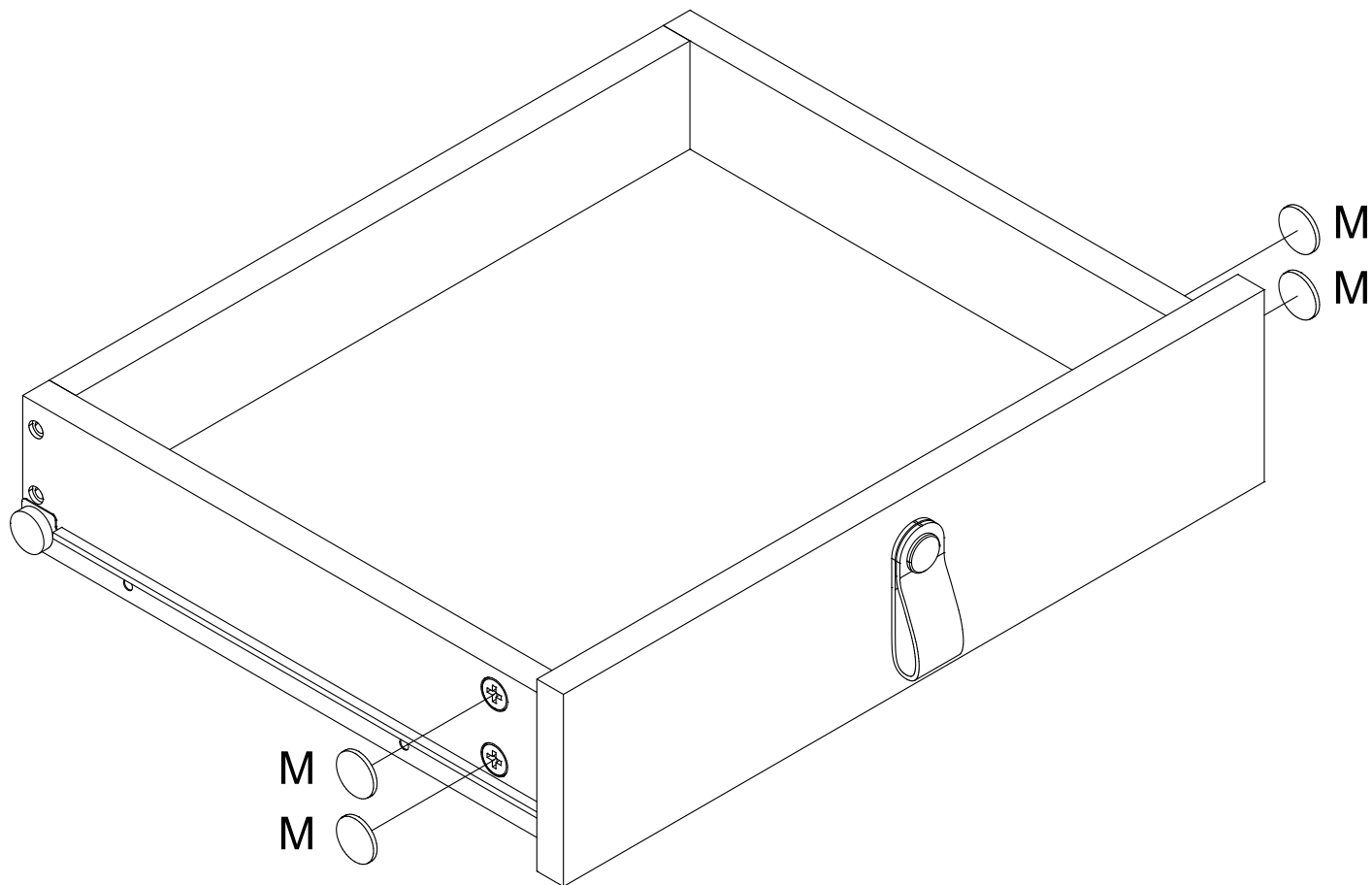
1xDL & 1xDR




H		RIGHT OR LEFT	02
I		Ø3.5x14mm	06

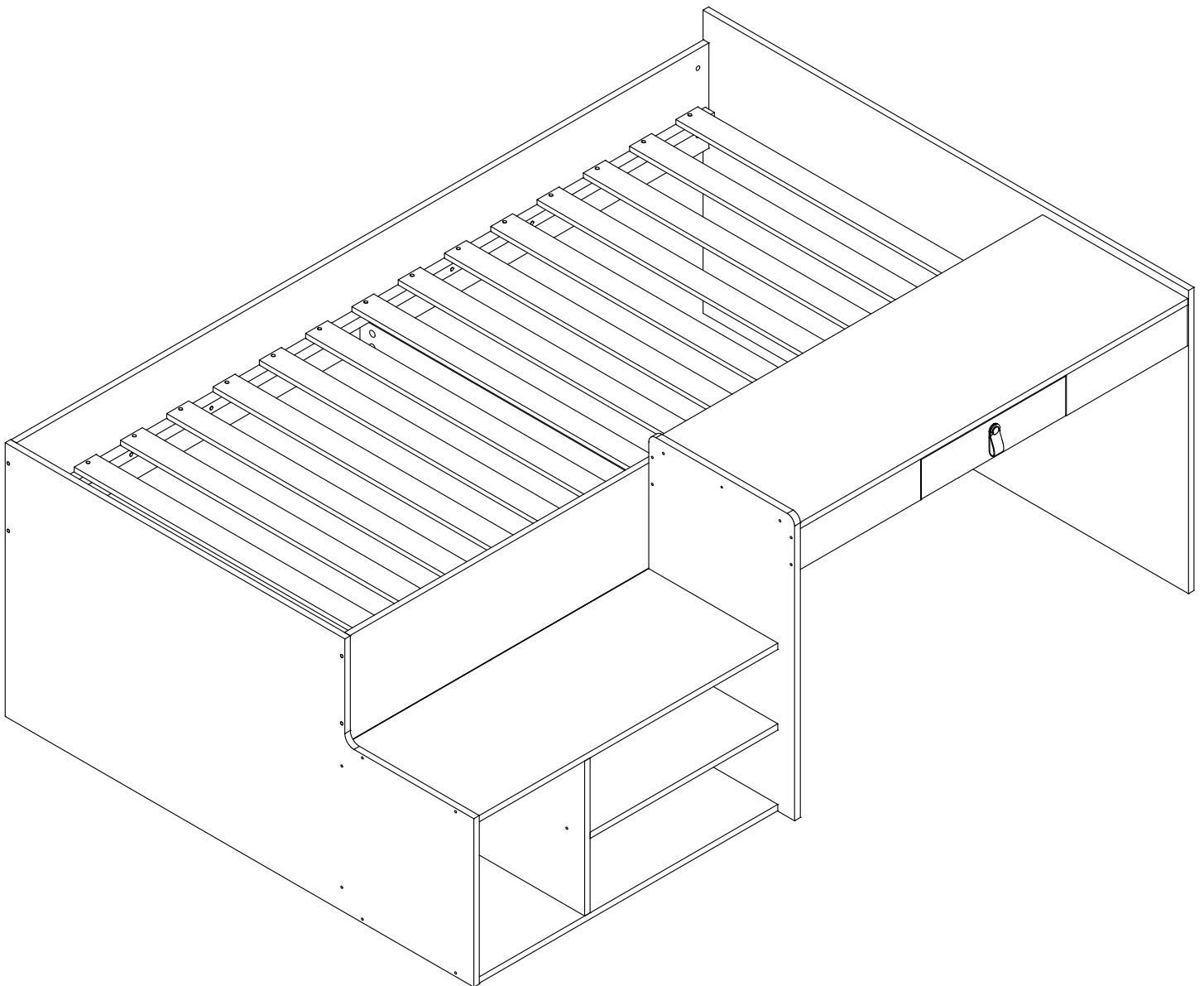
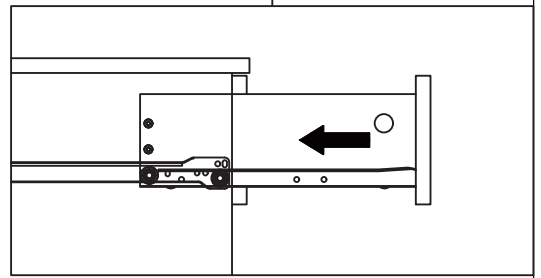
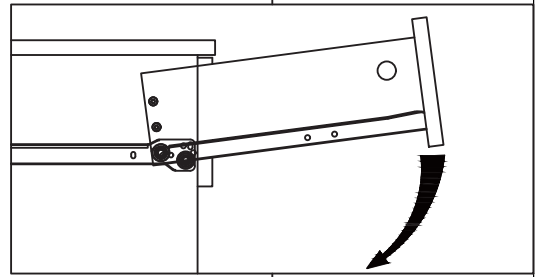
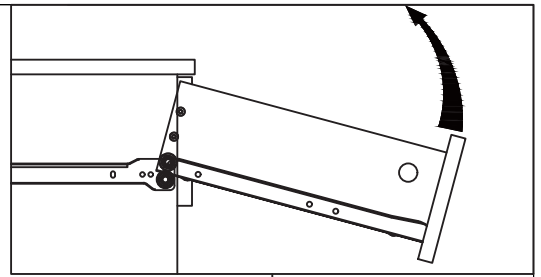


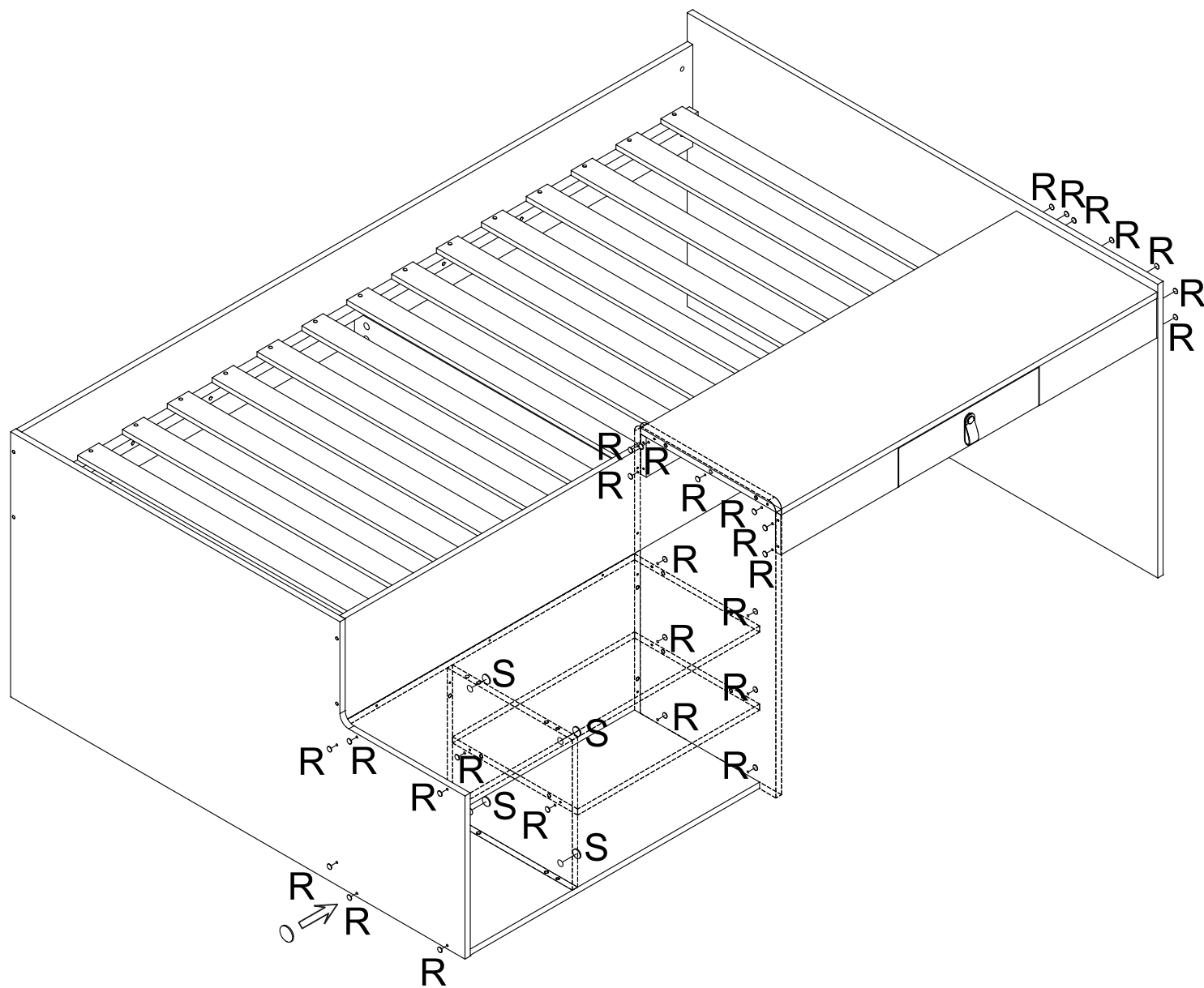
P		65x25mm	01
Q		M4x18mm	01





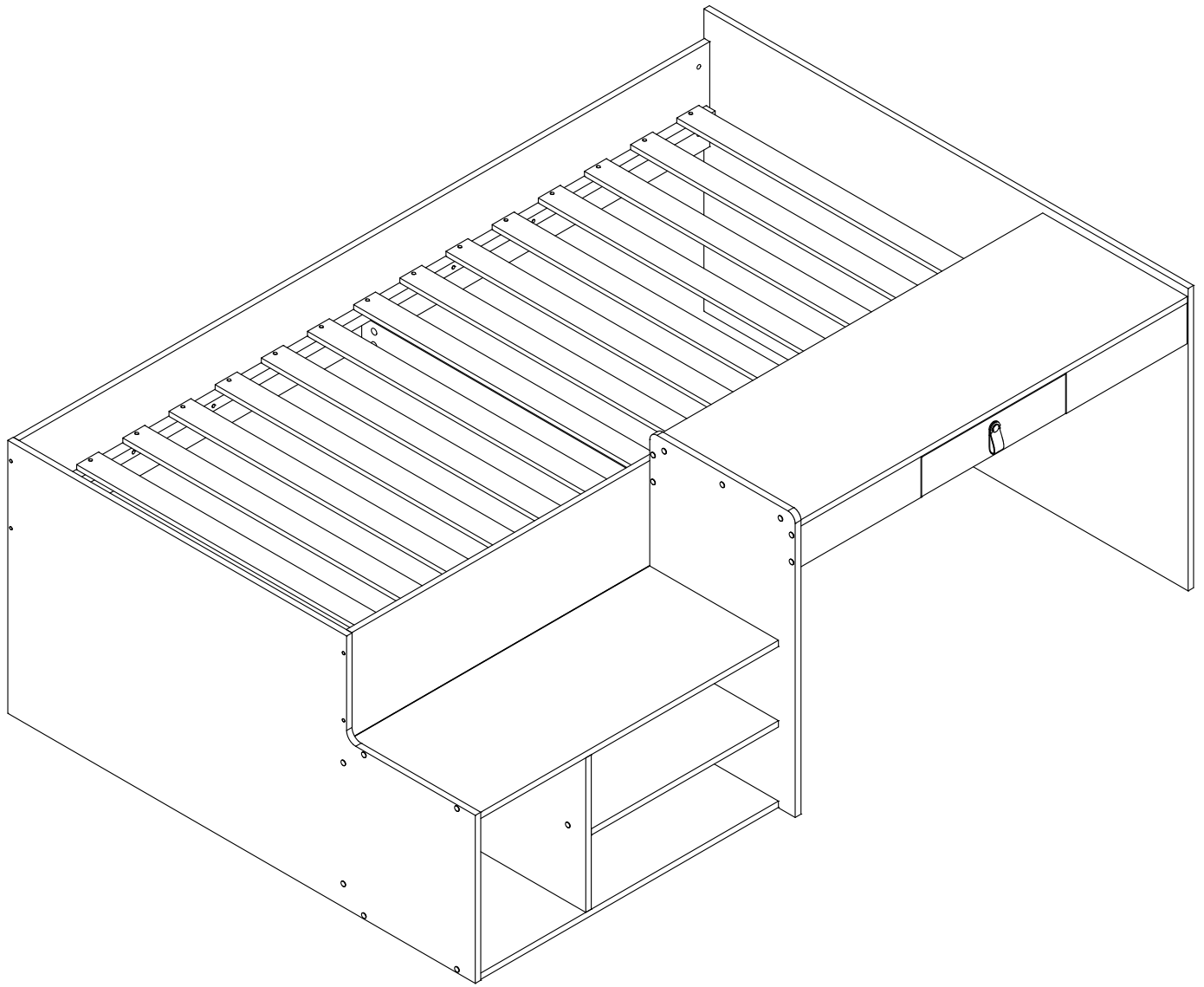
M	 White sticker	Ø21mm	04
---	---	-------	----

32





R		Ø12mm	28
S	 Yellow sticker	Ø21mm	04



## **IMPORTANT - READ CAREFULLY - RETAIN FOR FUTURE REFERENCE**

### **Safety Information**

All assembly fixings should be tightened properly and care should be taken that no fittings are loose. Regular tightening of the bolts is recommended to extend the lifespan of the product. Please follow all the instructions when assembling the product and do not use power tools when building.

**Warning:** The product should not be used if any structural part is broken or missing. If any part is missing or broken report it and we will replace, do not attempt to fix the item or purchase additional parts not included with the bed; this will invalidate the warranty.

### **Return Information**

If you have any problems with the item just email us at [info@noaandnani.co.uk](mailto:info@noaandnani.co.uk) and we can resolve it for you, our technical team will be able to assist in helping. If you have any parts that are damaged we can replace them for you. If you do need to return the item for some reason just email and request an RMA number .

### **Assembly Information**

We understand that self assembly furniture can be a pain but we try and make it as easy as possible for anyone to build, if you have found a problem with the assembly of the product or with the assembly instructions or you have comments on how we could improve them, we would love to hear from you. Just contact us either by email at [productadvice@noaandnani.co.uk](mailto:productadvice@noaandnani.co.uk) or via Live Chat on our website [noaandnani.co.uk](http://noaandnani.co.uk)

### **Related Items**

We have a matching range of items that compliment this product, just head to [noaandnani.co.uk](http://noaandnani.co.uk) for the full selection.

Any Questions or Issues Scan here for help



**NÖA & NANI**

FAMILY FURNITURE

