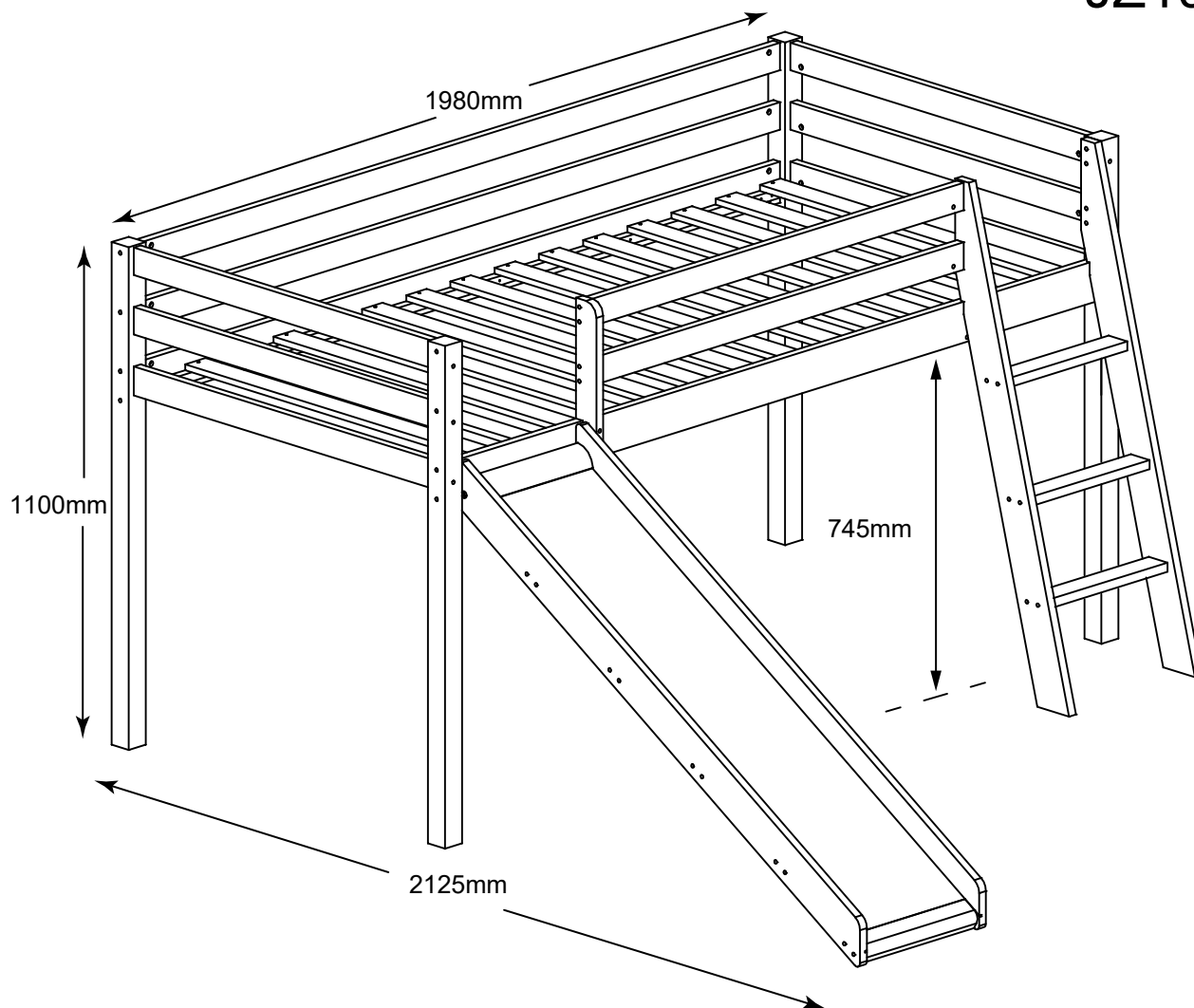


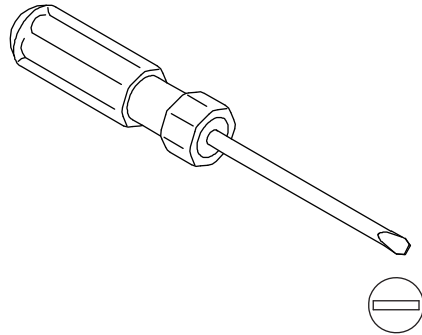
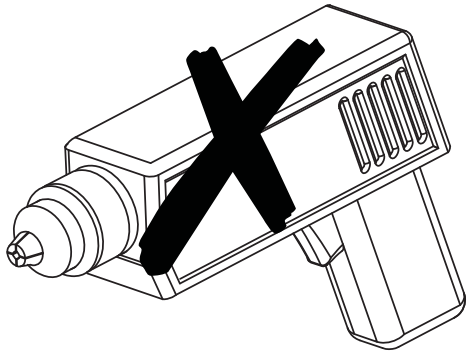
JZ19021



NÖA & NANI
FAMILY FURNITURE

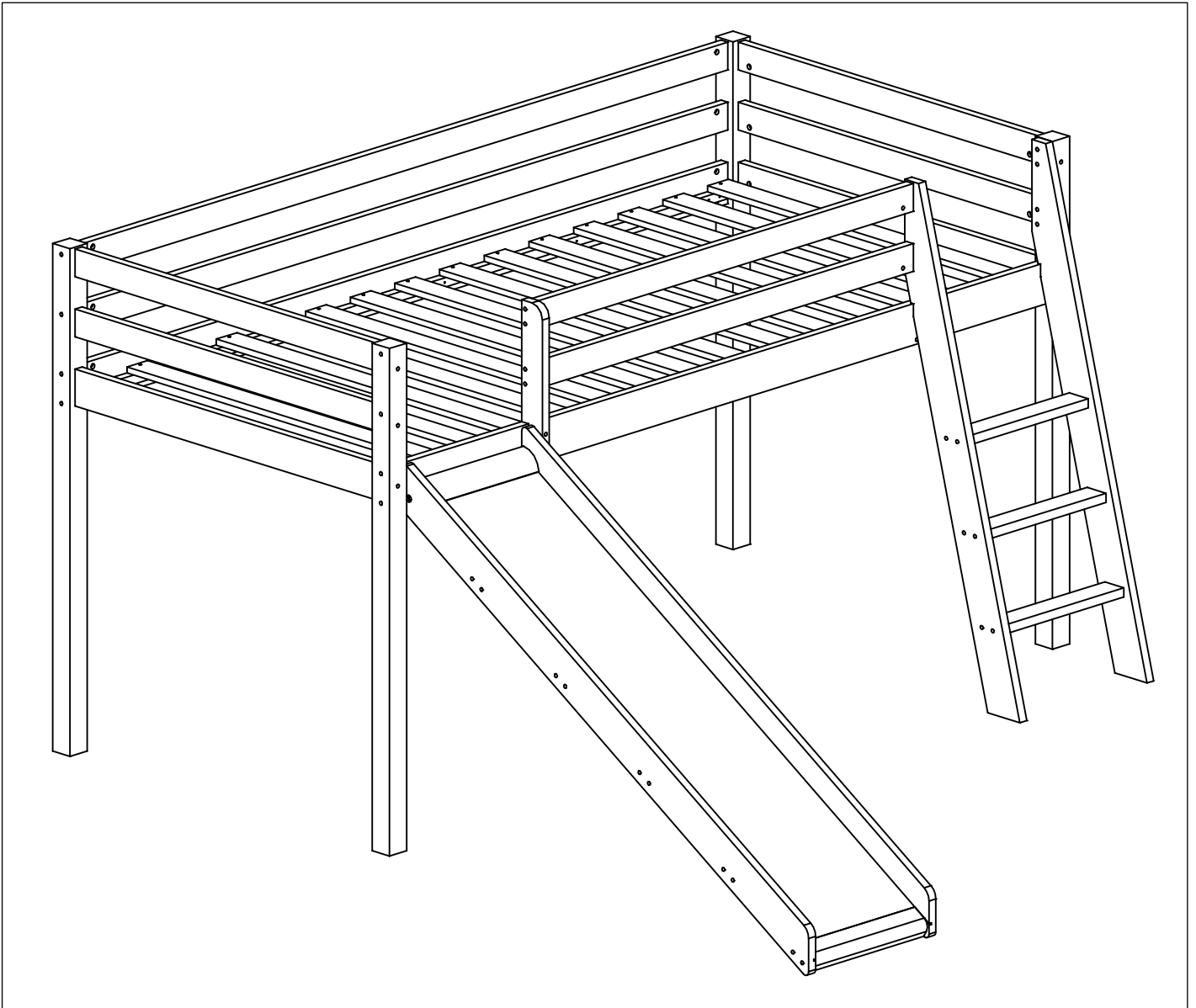


**MORO CABIN BED WITH SLIDE
ASSEMBLY INSTRUCTIONS**

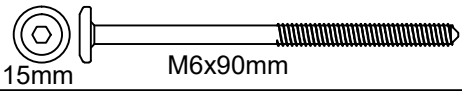

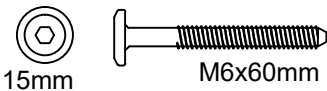
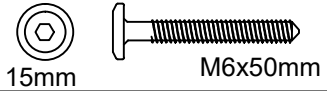
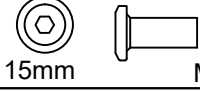




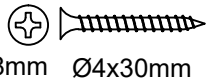
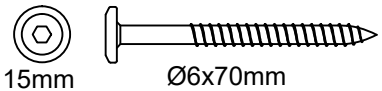

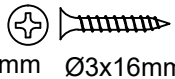

WARNING!

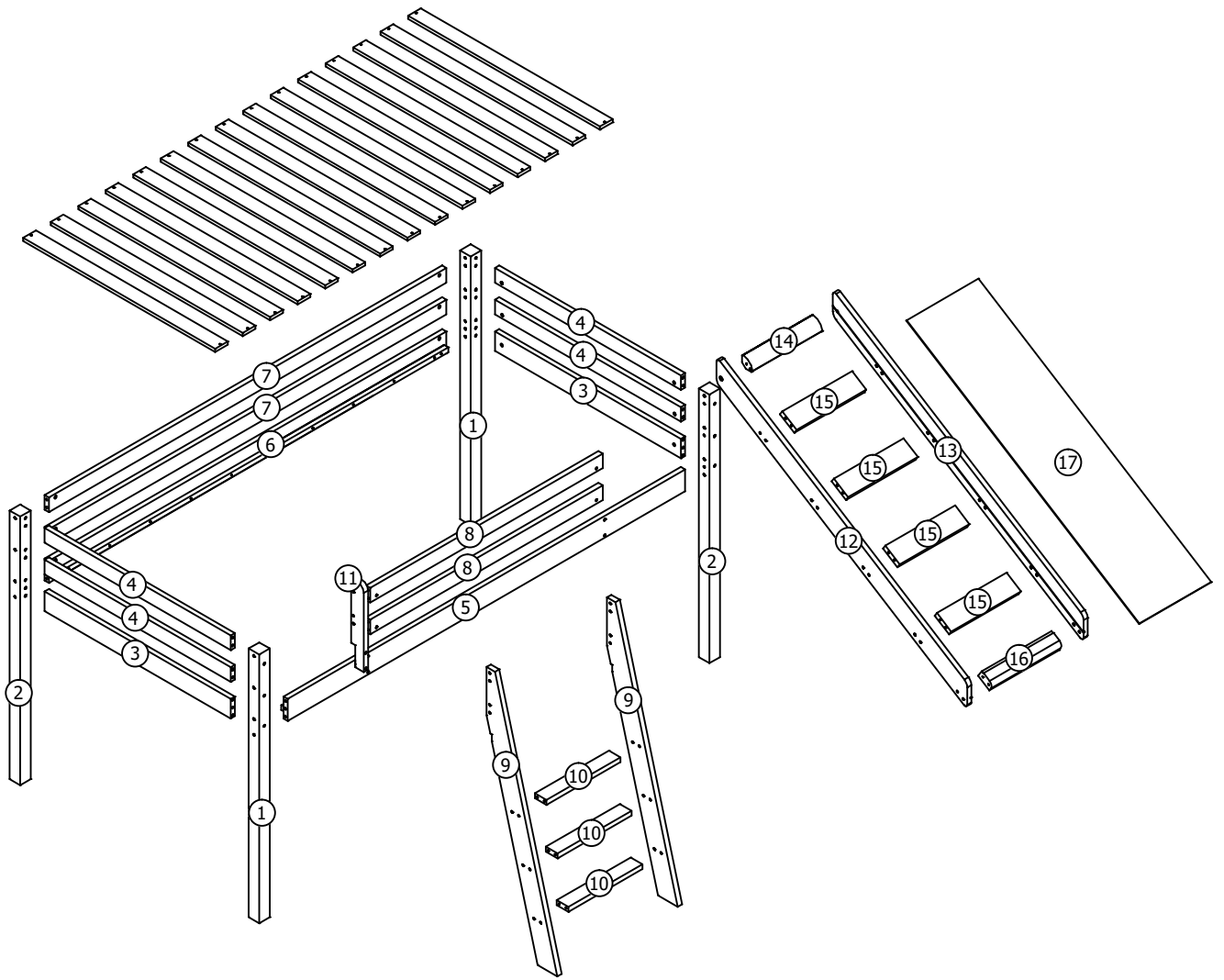
To avoid damage to the product please do not use powertools to assemble this item!!!



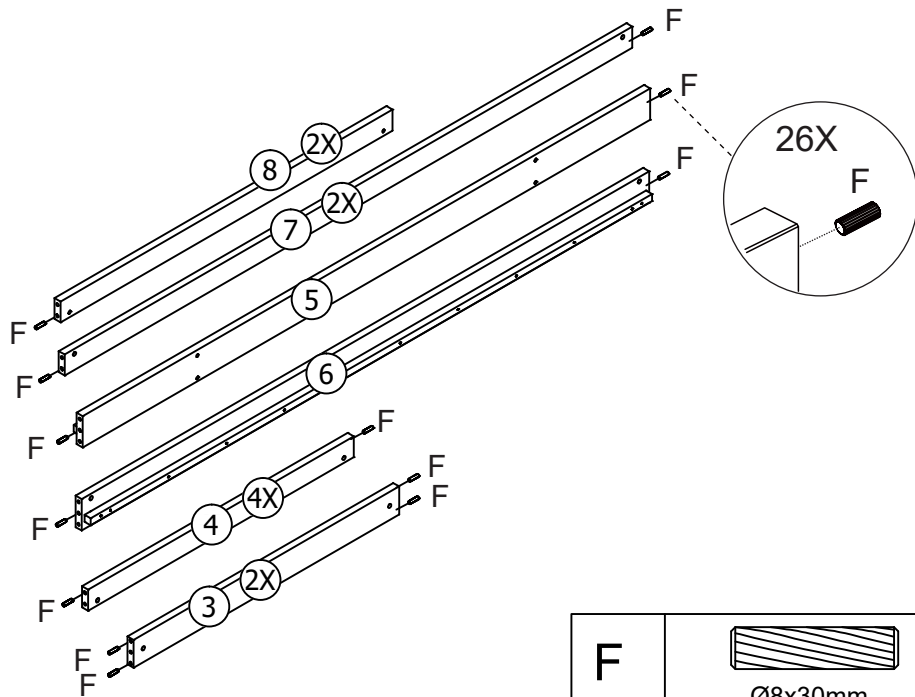
HARDWARE


A	 15mm M6x90mm	24
B	 Ø10x13mm	28
C	 15mm M6x60mm	06
D	 15mm M6x50mm	02
E	 15mm M8x20mm	04
F	 Ø8x30mm	30

G	 4mm	02
H	 8mm Ø4x30mm	34
I	 15mm Ø6x70mm	35
J	 2mm	02
K	 8mm Ø3x16mm	03
L	 Ø8mm	16

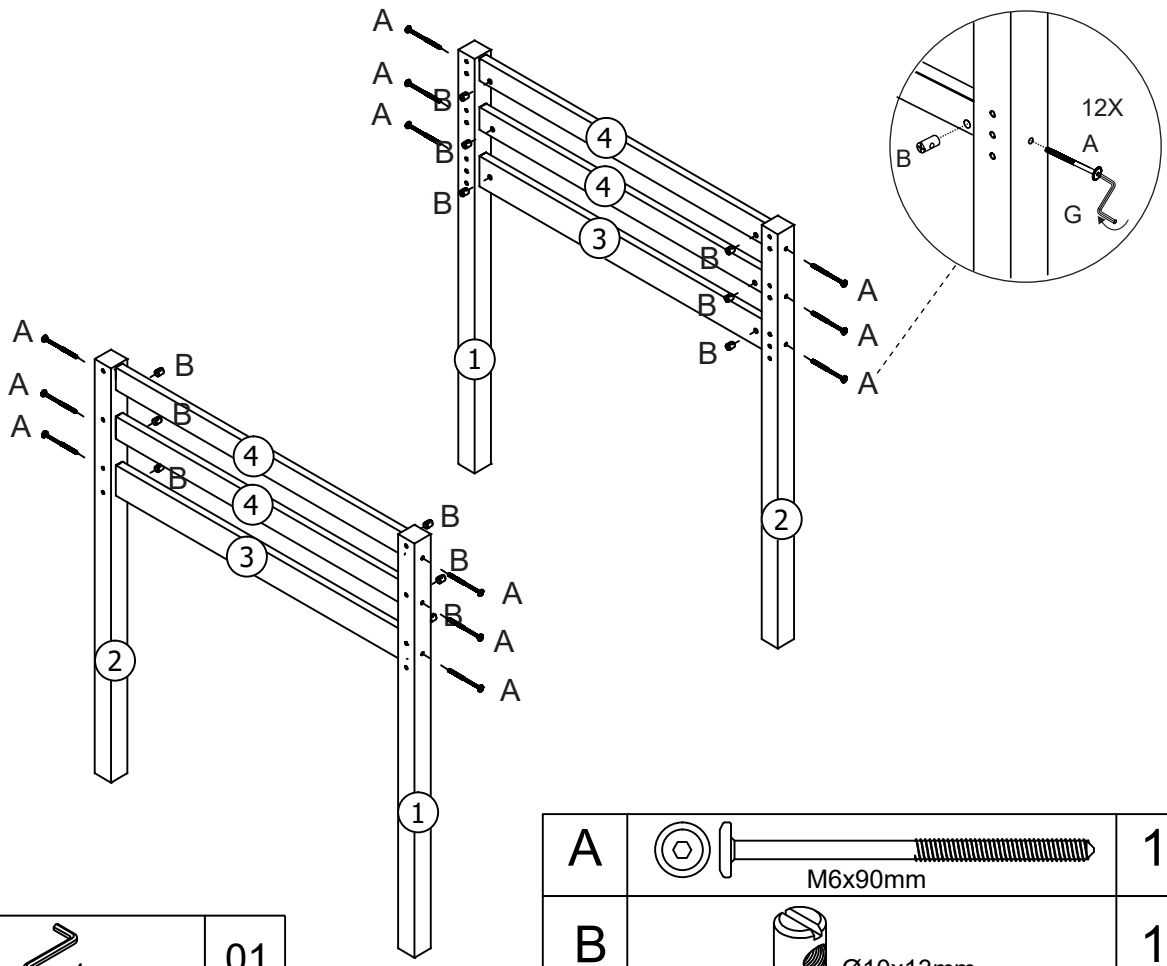



01

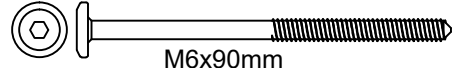



F	 Ø8x30mm	26
---	--	----

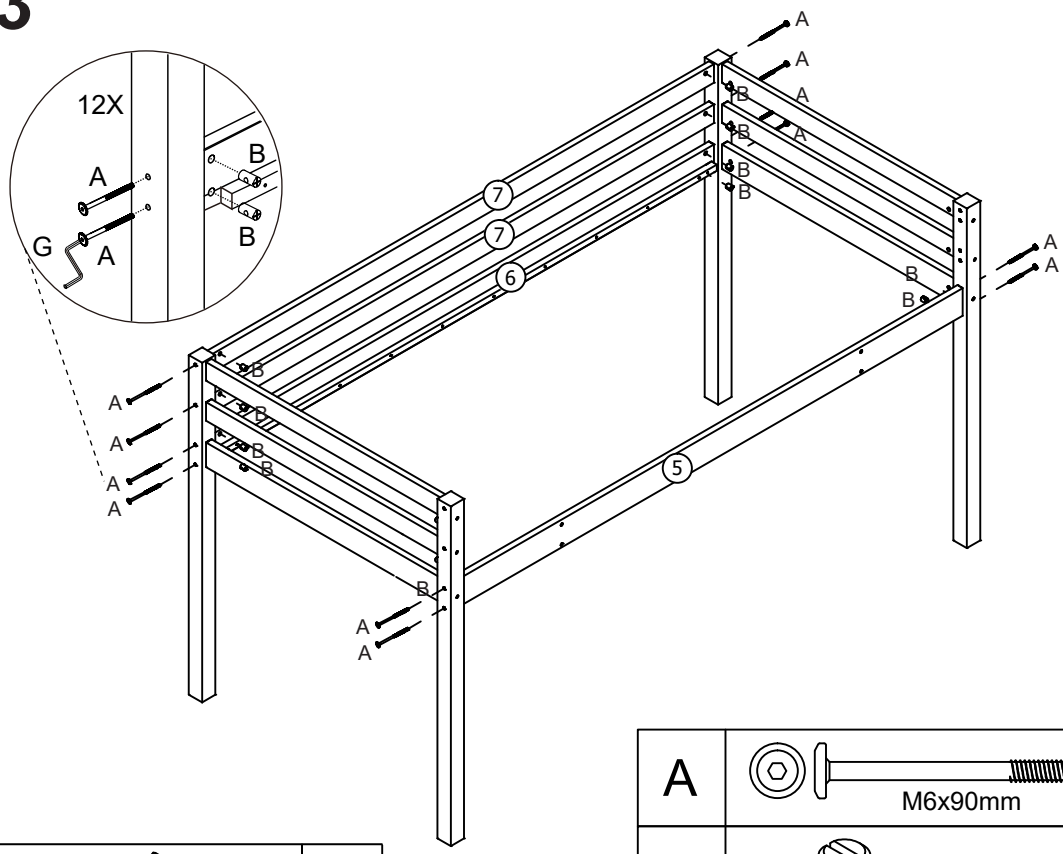
02




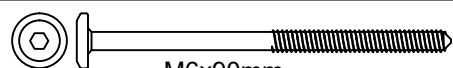

G	 4mm	01
---	---	----

A	 M6x90mm	12
B	 Ø10x13mm	12

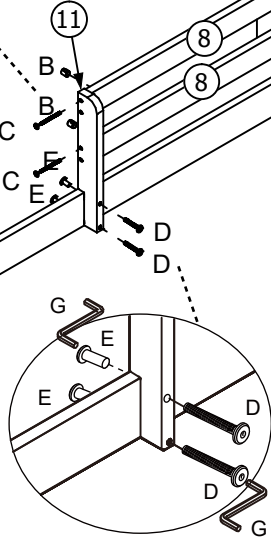
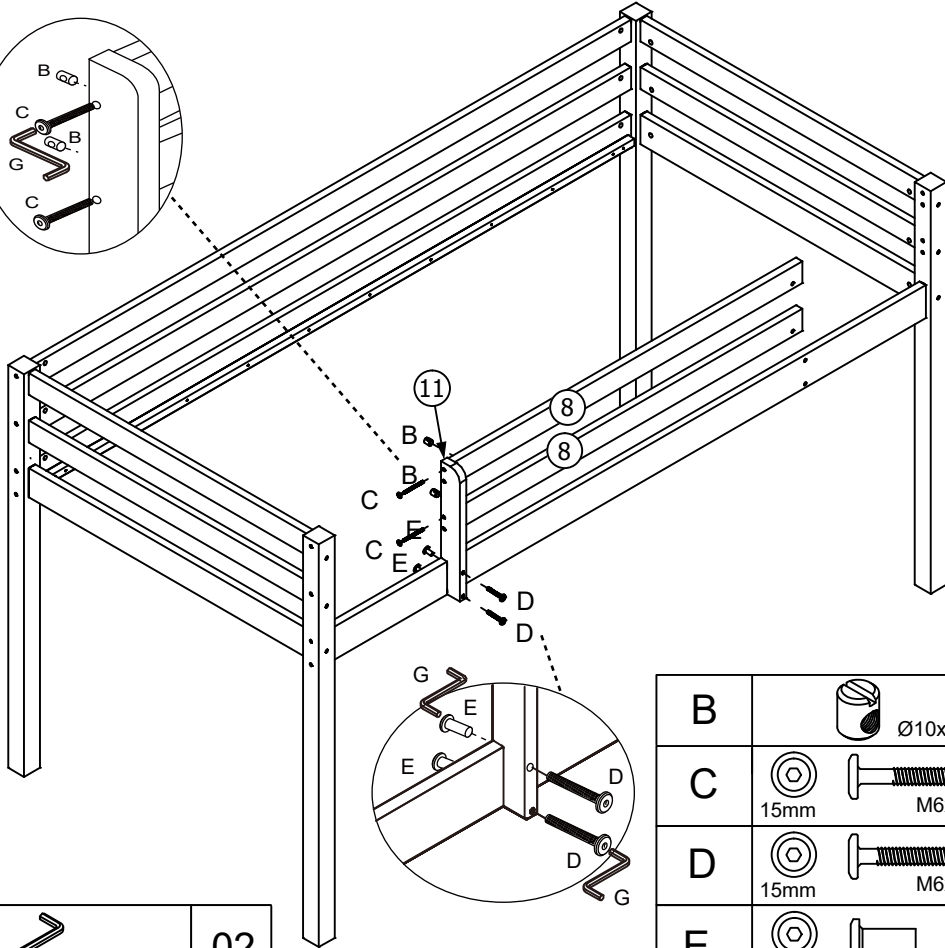
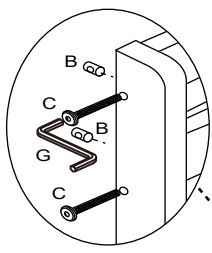
03







G	 4mm	01
---	---	----

A	 M6x90mm	12
B	 Ø10x13mm	12

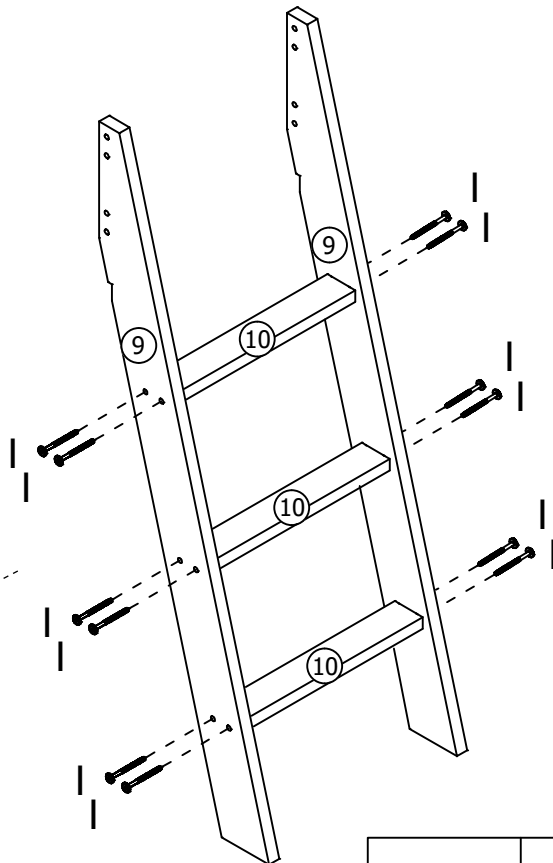
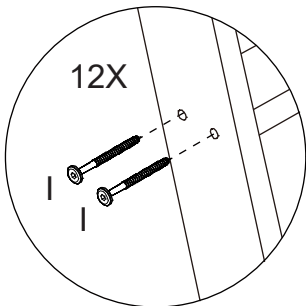
04





B		Ø10x13mm	02	
C		15mm	M6x60mm	02
D		15mm	M6x50mm	02
E		15mm	M8x20mm	02

G		4mm	02
---	---	-----	----

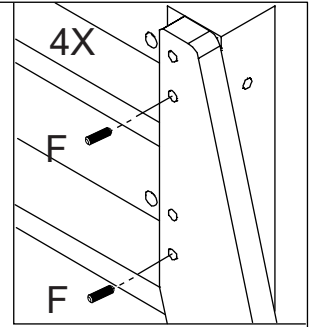
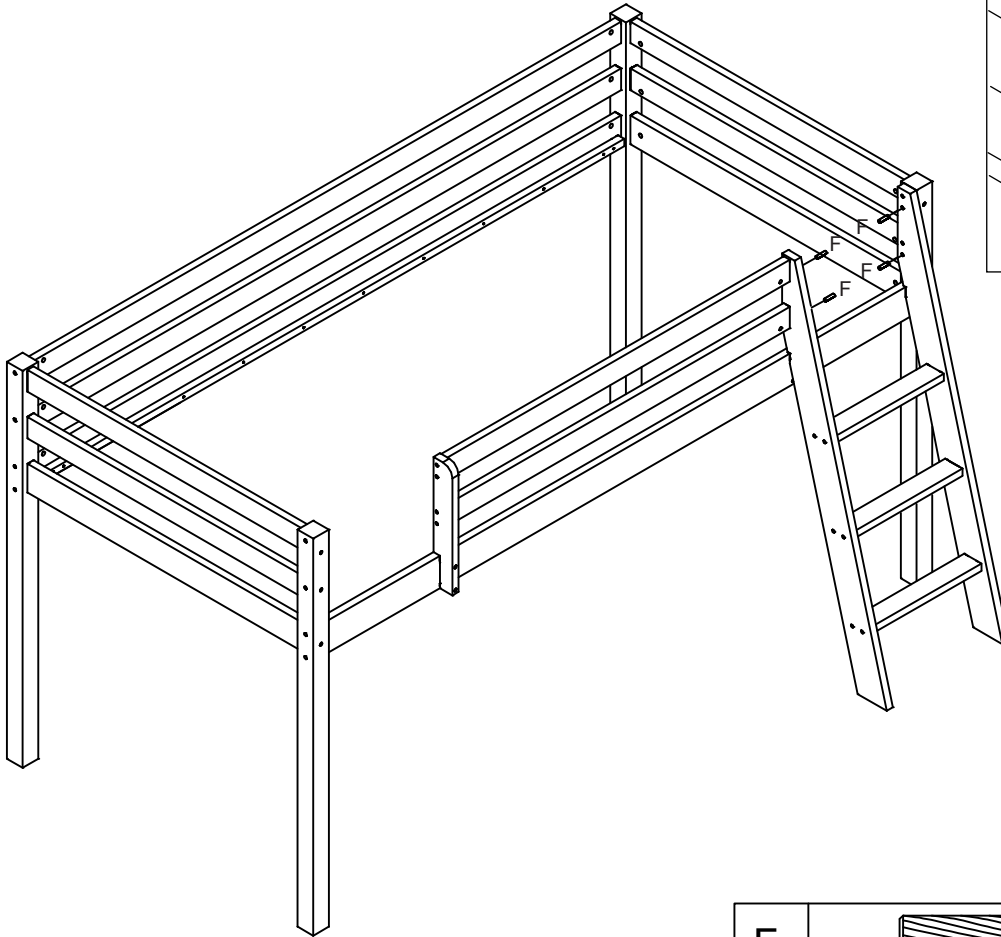
05




I		15mm	Ø6x70mm	12
---	---	------	---------	----

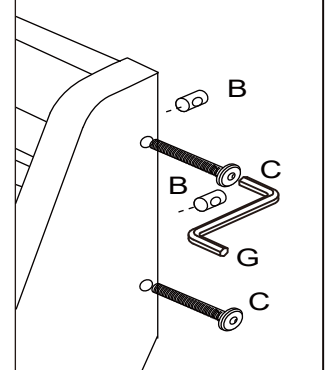
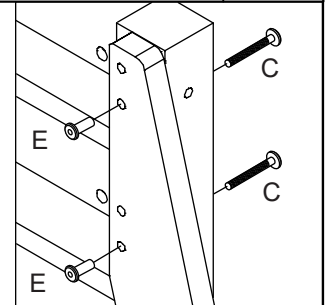
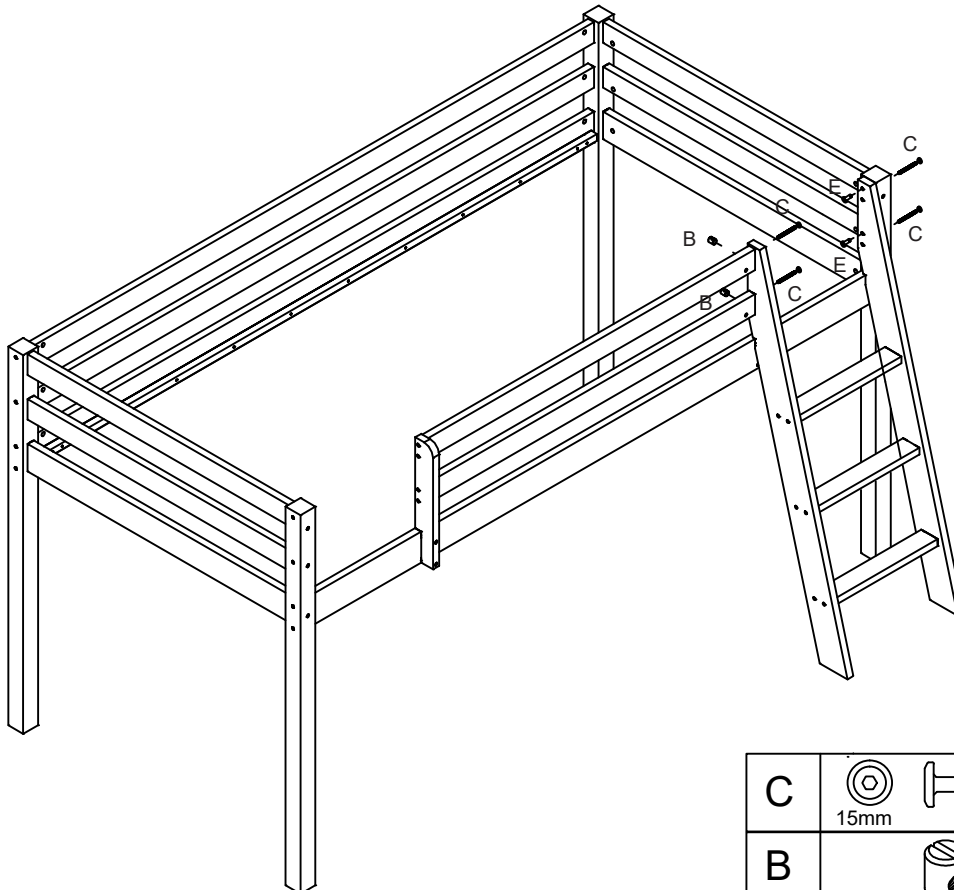
G		4mm	01
---	---	-----	----




06




F	 Ø8x30mm	04
---	--	----

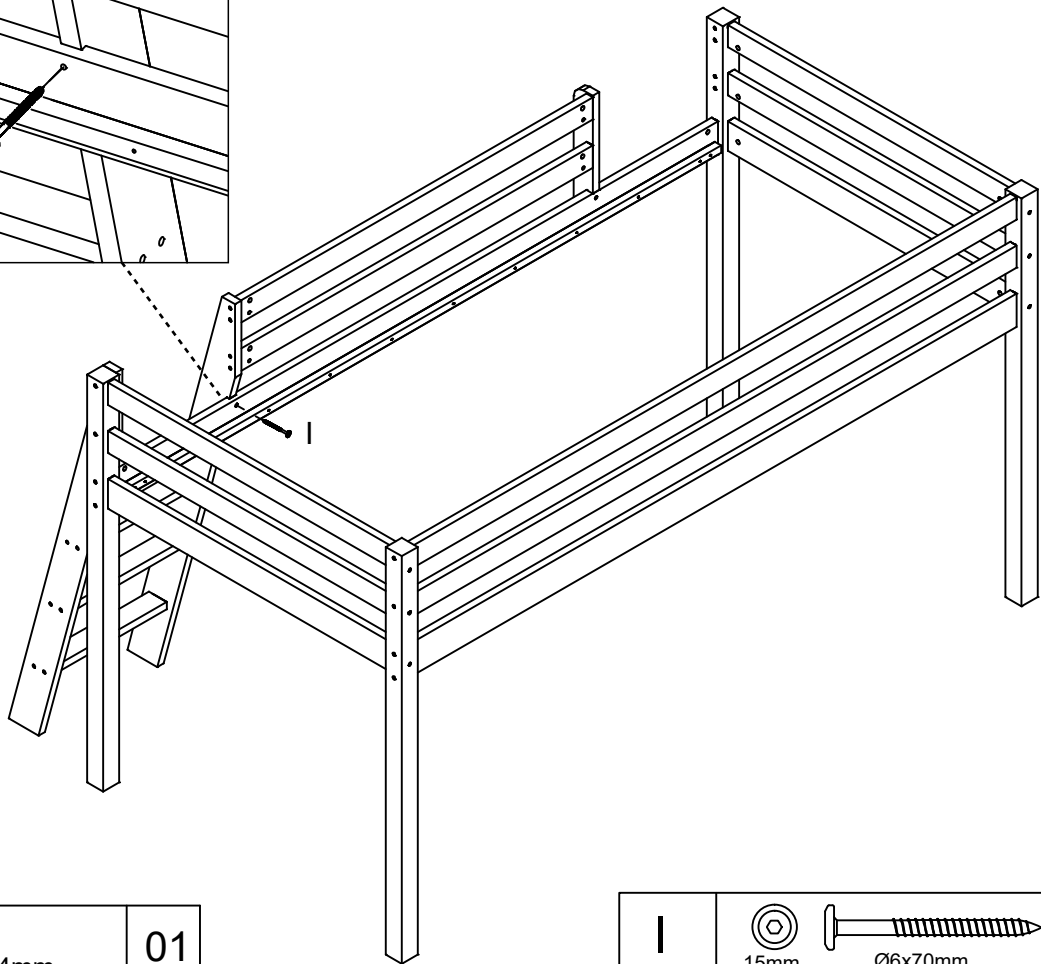
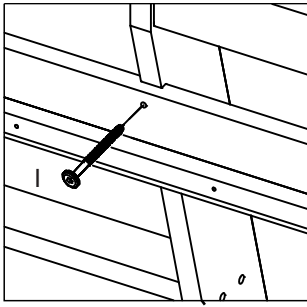
07





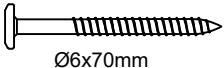
C	 15mm M6x60mm	04
B	 Ø10x13mm	02
E	 15mm M8x20mm	02

G	 4mm	02
---	--	----


08

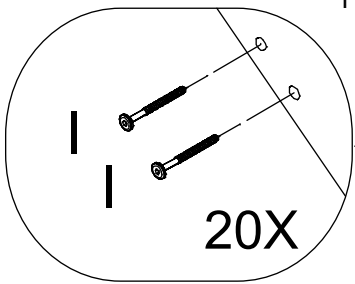
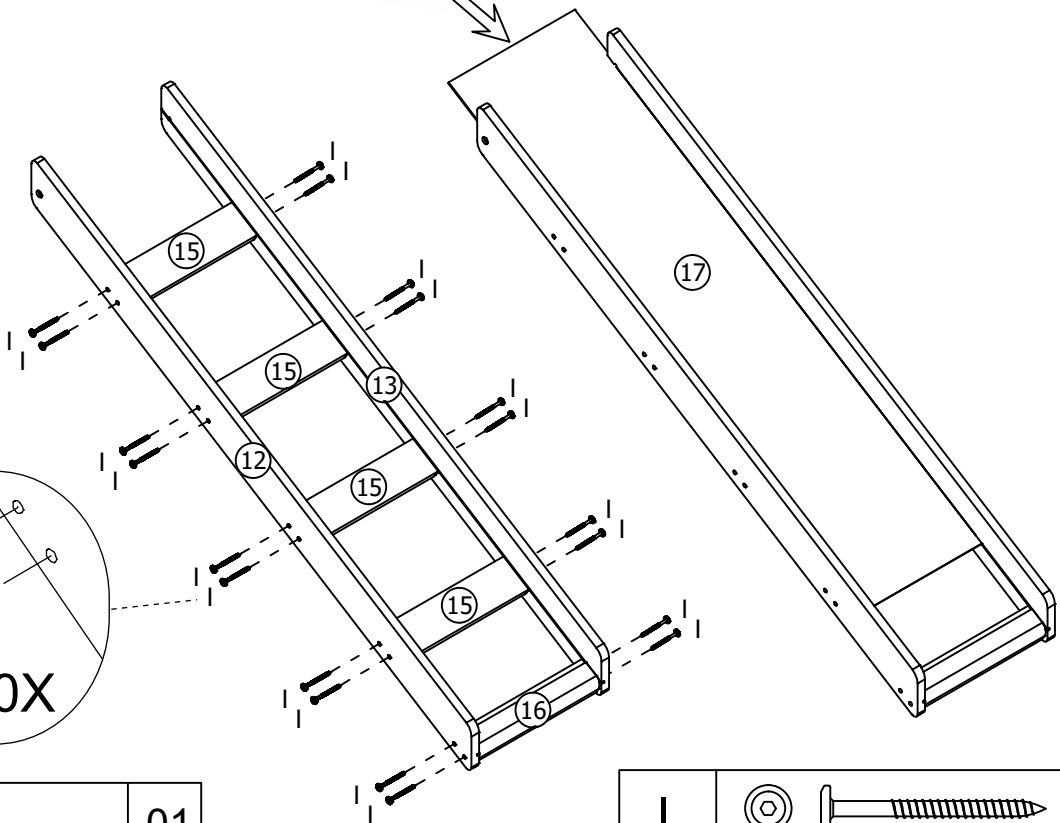


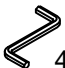
G	 4mm	01
---	---	----


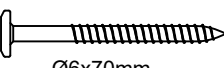
I	 15mm	 Ø6x70mm	01
---	--	---	----

09

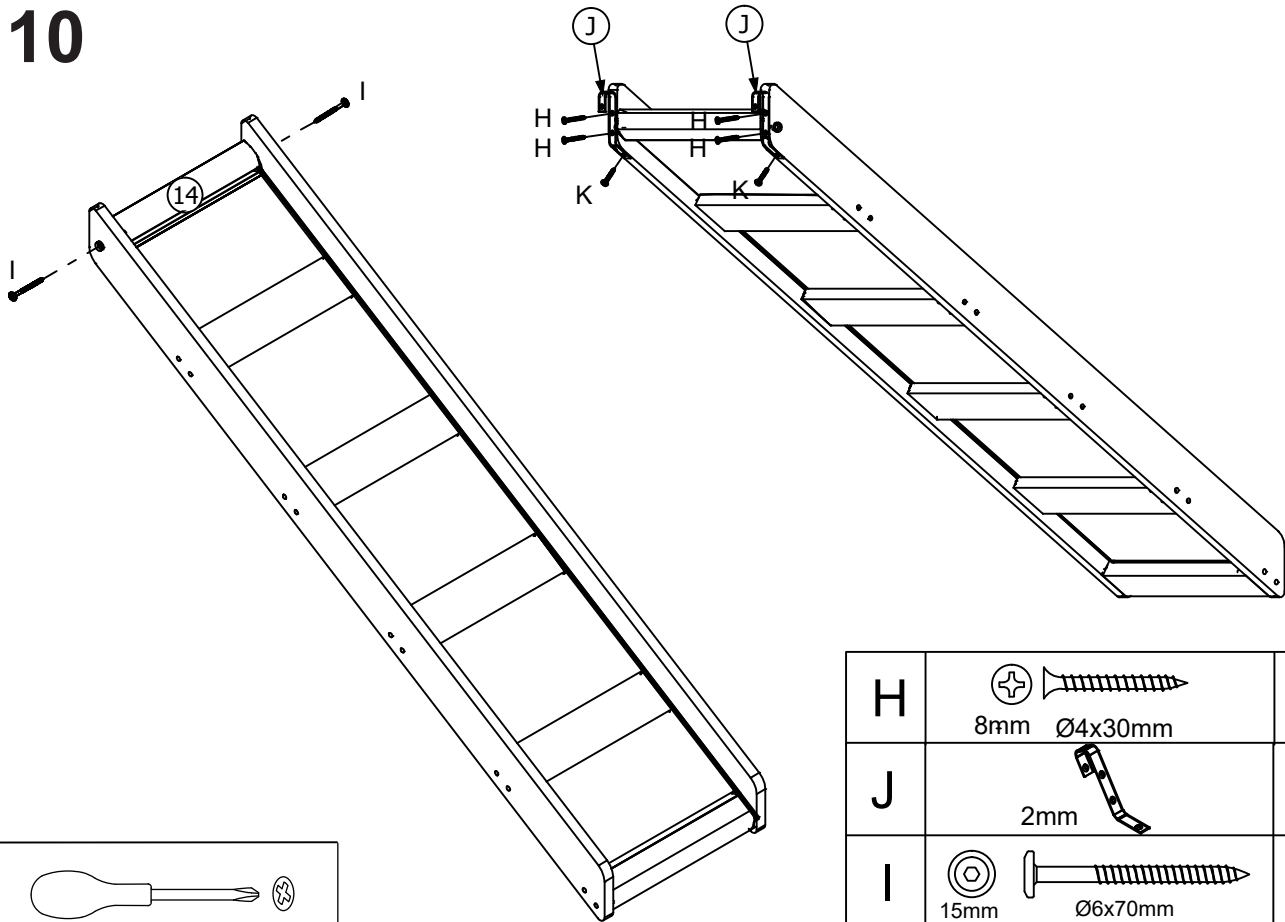
HARD PUSH → 



G	 4mm	01
---	---	----

I	 15mm	 Ø6x70mm	20
---	--	---	----

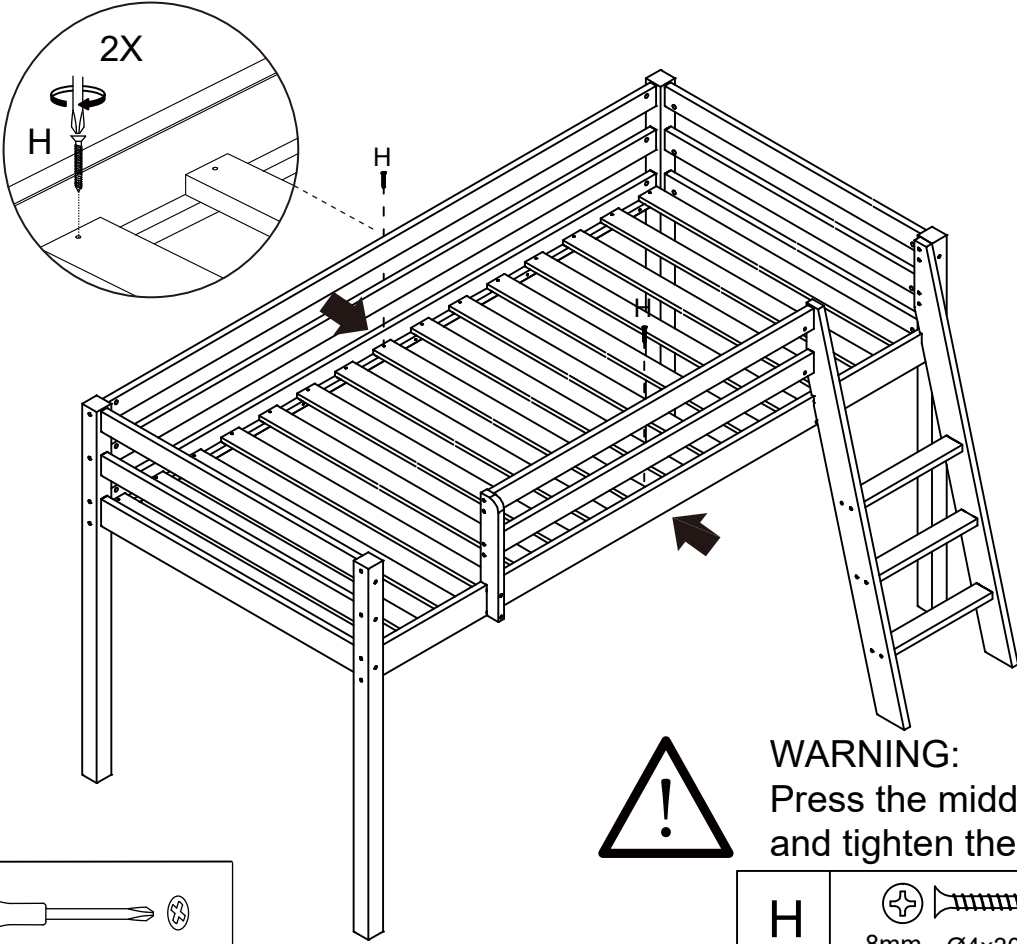
10



H	8mm Ø4x30mm	04
J	2mm	02
I	15mm Ø6x70mm	02
K	8mm Ø3x16mm	02

G		01
---	--	----

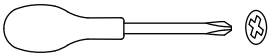
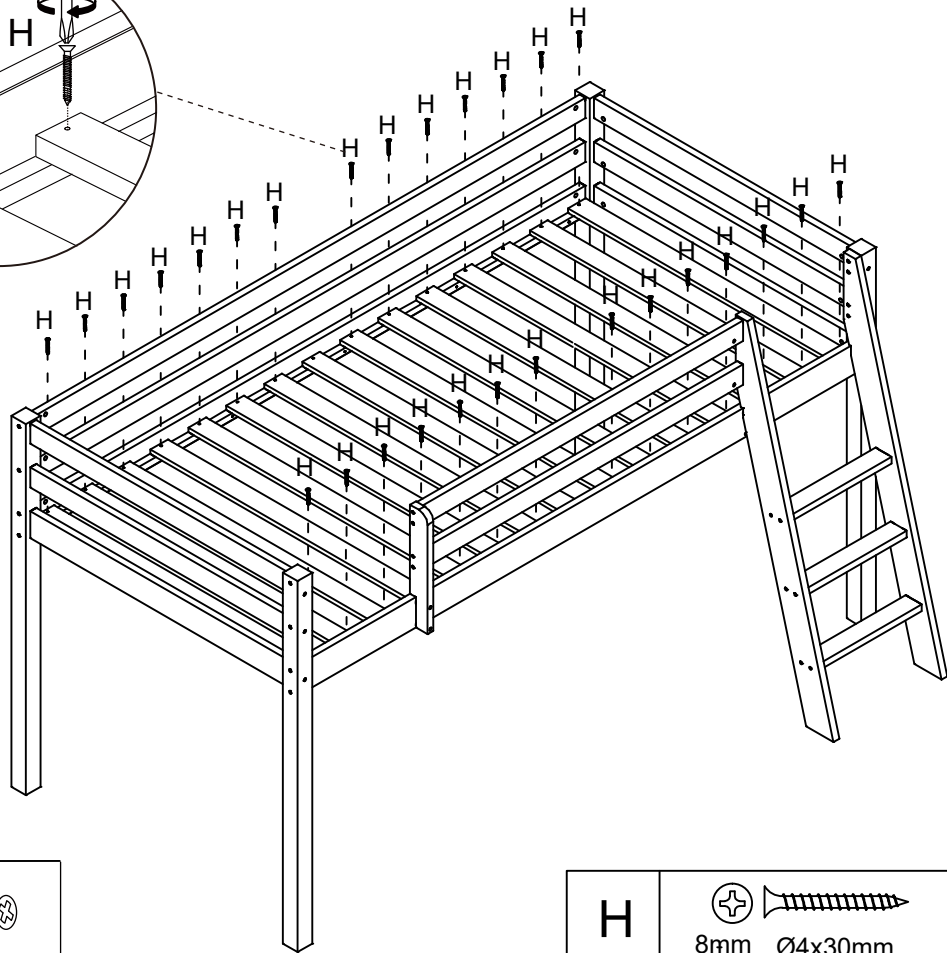
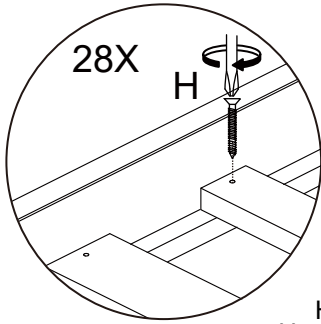
11



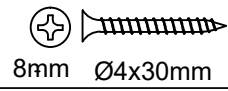
WARNING:
Press the middle of bed sides and tighten the screw first.

H	8mm Ø4x30mm	02
---	-------------	----

12

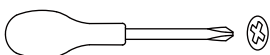
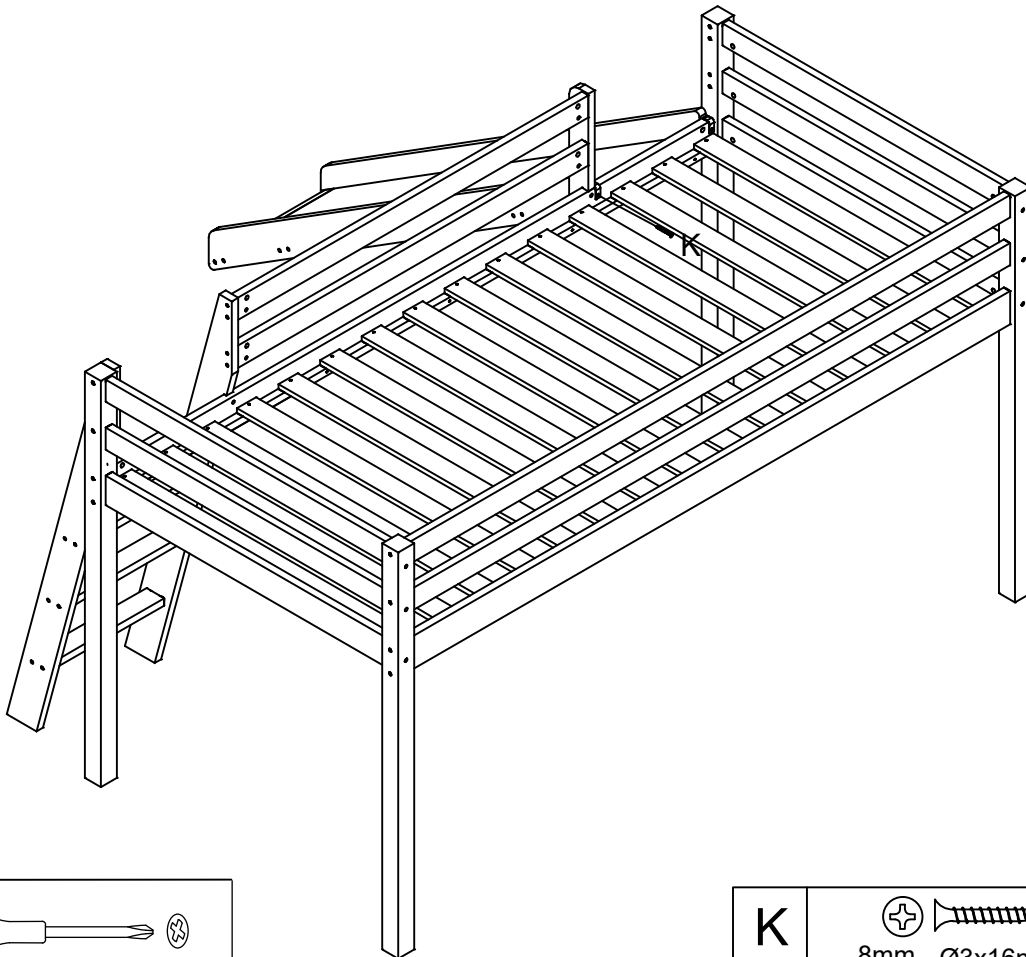


H

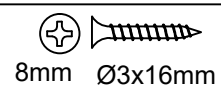


28

13

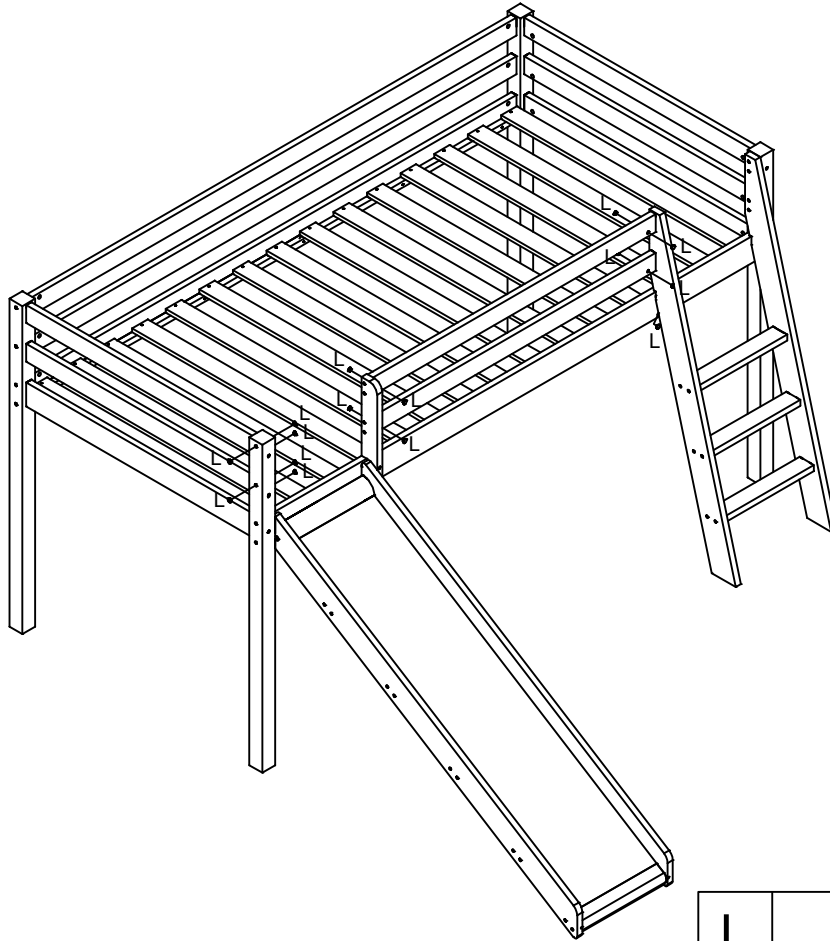


K



01

14



L



ø8mm

16

IMPORTANT-READ CAREFULLY-RETAIN FOR FUTURE REFERENCE

- a) All assembly fastenings should be tightened properly and that care should be taken that no fittings are loose.
- b) Maximum thickness of mattress:13.5cm, the max mattress thickness must not be over the maximum mattress thickness marking marked on the upper bed.
- c) Recommended size of the mattress:L190*W90*H13.5cm.
- d) The bunk bed should not be used if any structural part is broken or missing.
- e) The upper bed of the bunk beds is not suitable for children under six years due to the injury from falls.
- f) Children can strangle in items such as ropes, strings, cords, harnesses and belts attached to or hung on a bunk bed.
- g) Warning: Children can become trapped between the bed and the wall. To avoid risk of serious injury the distance between the top safety barrier and the wall shall not exceed 75mm or shall be more than 230mm.

Safety Information

Please ensure the item is fully tightened and secured. We would also recommend checking the bolts of the item over time to ensure that the item is still secured correctly, this will guarantee you will be able to enjoy the product for many years to come.

Return Information

If you have any problems with the item just email us at info@noaandnani.co.uk or give us a call and we can resolve it for you, our technical team will be able to assist in helping. If you have any parts that are damaged we can replace them for you. If you do need to return the item for some reason just email us to request an RMA number and fill in the form on the next page and we can arrange the return of the goods.

Assembly Information

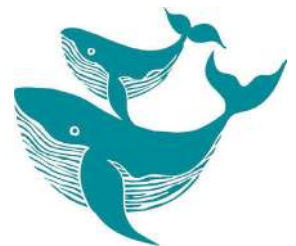
We understand that self assembly furniture can be a pain but we try and make it as easy as possible for anyone to build, if you have found a problem with the assembly of the product or with the assembly instructions or you have comments on how we would improve them, we would love to hear from you. Just contact us either by email at productadvice@noaandnani.co.uk or by phone.

Related items

We have a matching range of items that compliment this product, just head to noaandnani.co.uk for the full selection.

NÖA & NANI

FAMILY FURNITURE



www.NoaandNani.co.uk

NÖA & NANI

FAMILY FURNITURE

www.noaandnani.co.uk



Return Merchandise Authorization RMA

Buyers Name:

Address:

Postal Code:

Telephone:

RMA Number:

Signature:

Number of Packages to Return:

Collection Charge Amount:

RMA Agreement

All goods will be returned as per request, if there are multiple packages these will all be returned. The courier will collect the amount of packages as stated. Any failure to give all the packages to the courier will result in an additional collection fee and/or a deduction from the refund total.

Images of returned packages included. Please tick

(Why do we require images?) Due to the nature of our oversized items going through the courier networks it is important that prior to booking in the collection, we can see the size of the parcels being returned. This avoids couriers attempting a collection and refusing to collect the goods, which means you haven't wasted time waiting in for the collection not to take place.

Failed Collections

If a collection is booked in and the collection fails due to no-one being at the property to give the goods back, a fee of 50% off the collection charge will be charged. The collection will then need to be booked in again and an additional collection charge will be incurred.

IMPORTANT: Please ensure the RMA Number is clearly written on all of the packages. This will ensure the refund will be processed swiftly.

info@noaandnani.co.uk

www.noaandnani.co.uk

Noa and Nani Ltd, Unit 16, Mountfield Road, New Romney, Kent TN28 8LH