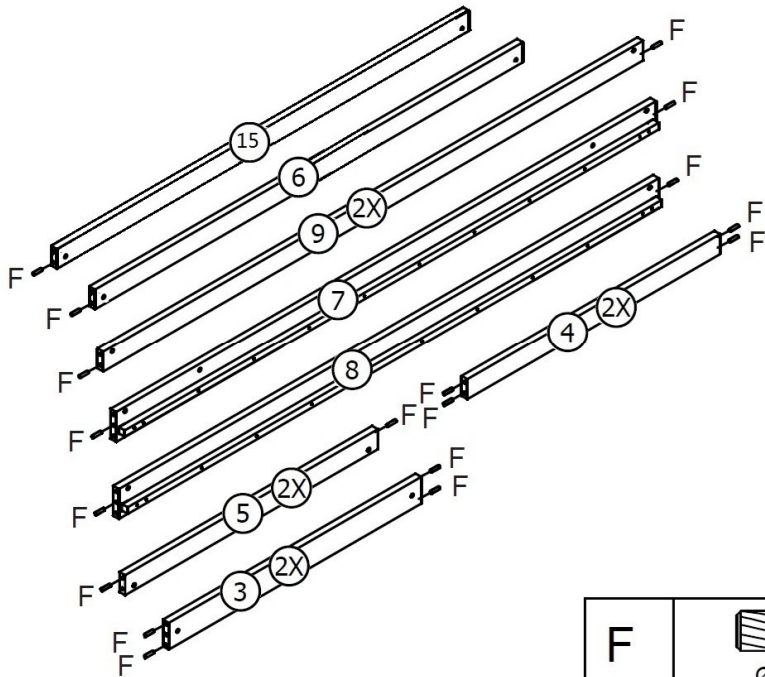

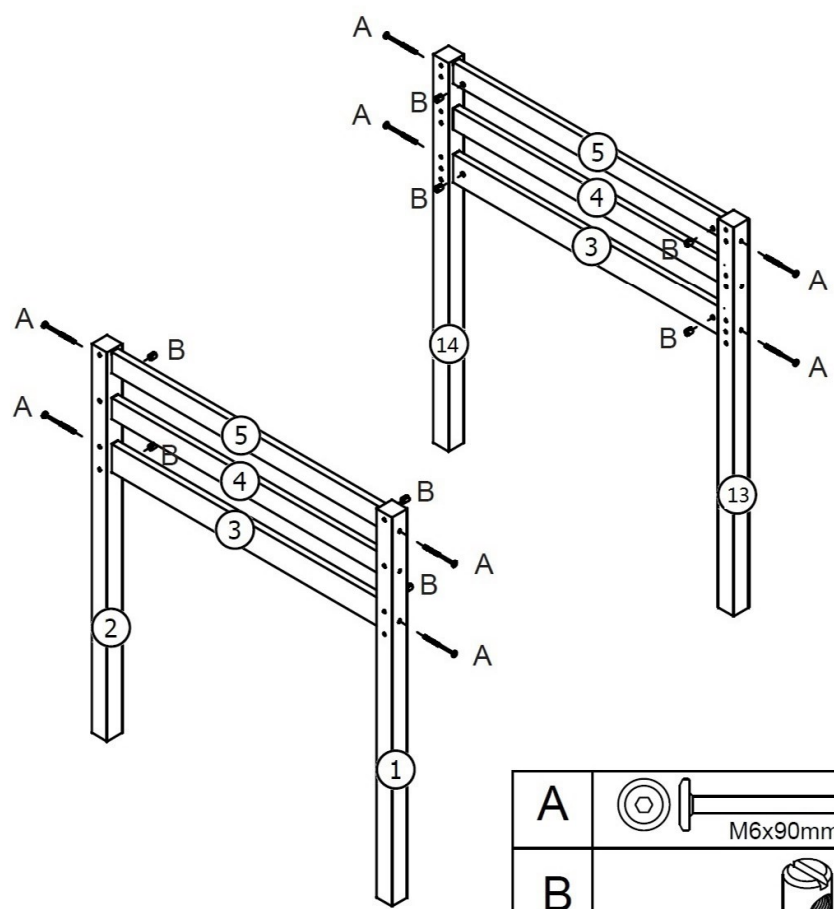




**01**



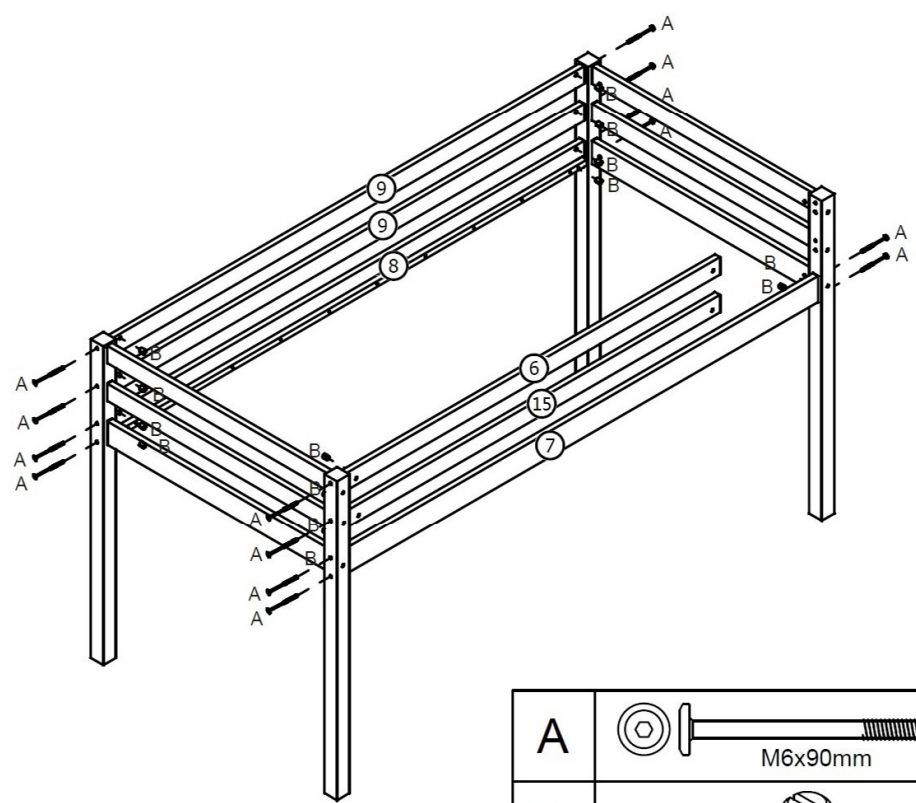
F	 Ø8x30mm	30
---	--	----



# 02



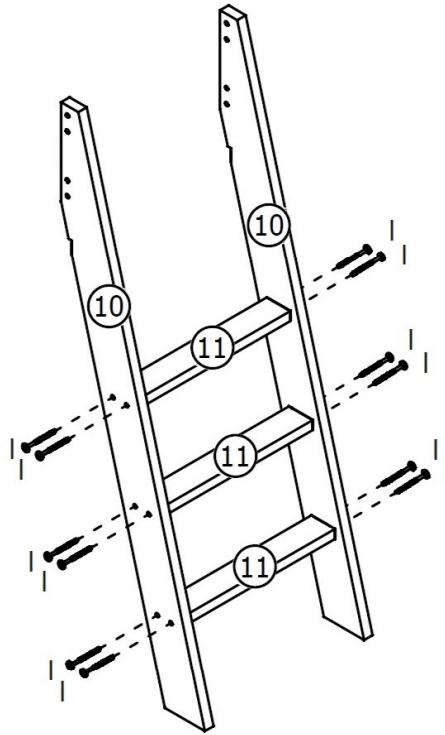
A	 M6x90mm	08
B		08



# 03



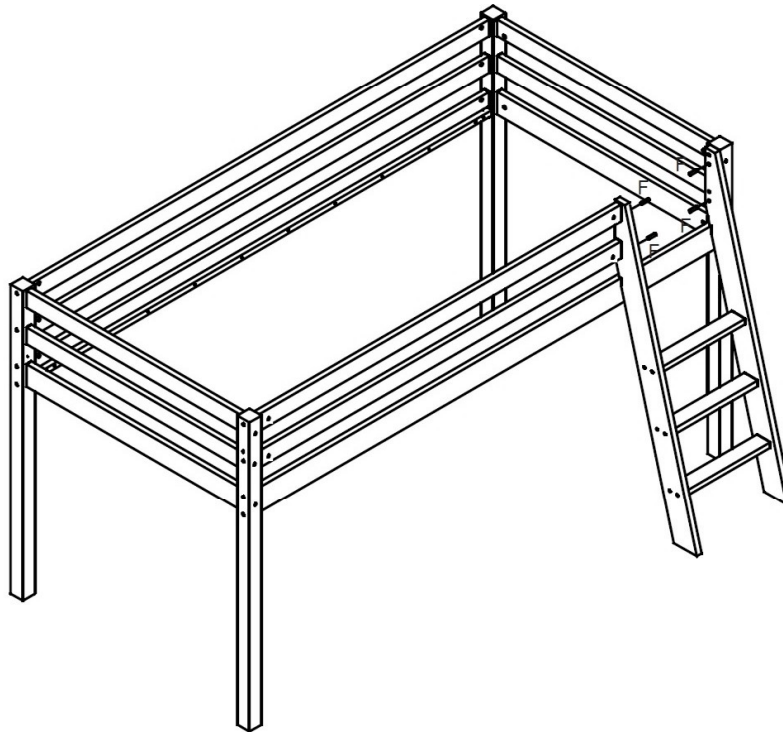
A	 M6x90mm	14
B		14


04



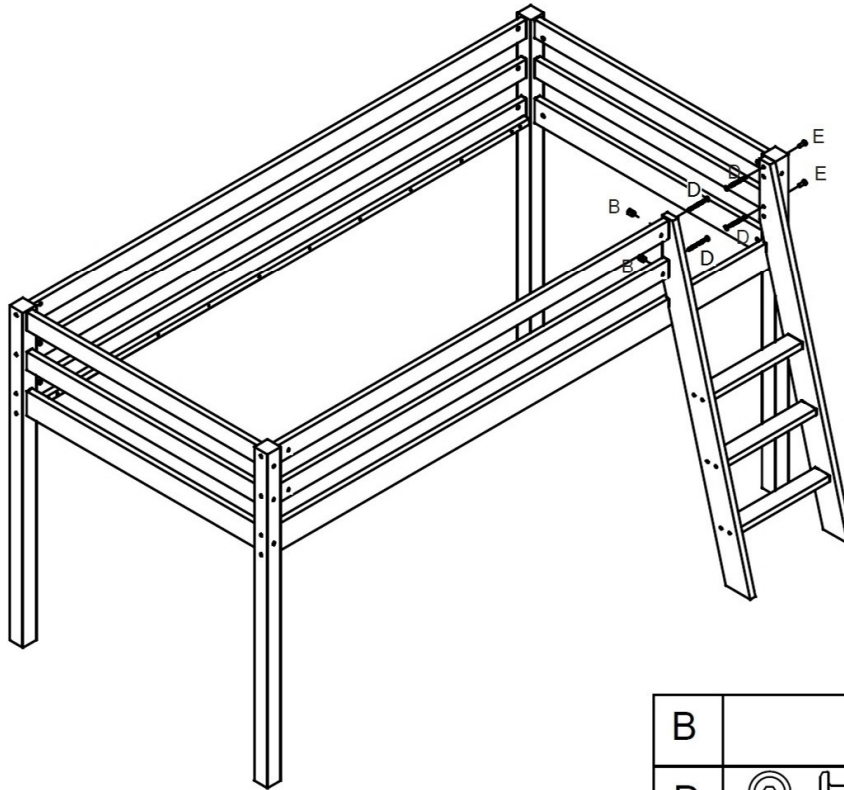
I	 15mm	 Ø6x70mm	12
---	--	---	----





05



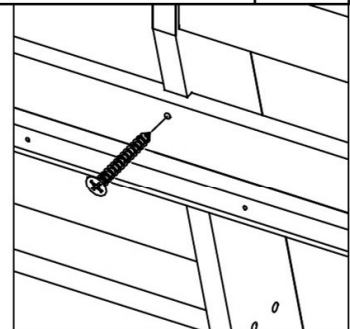
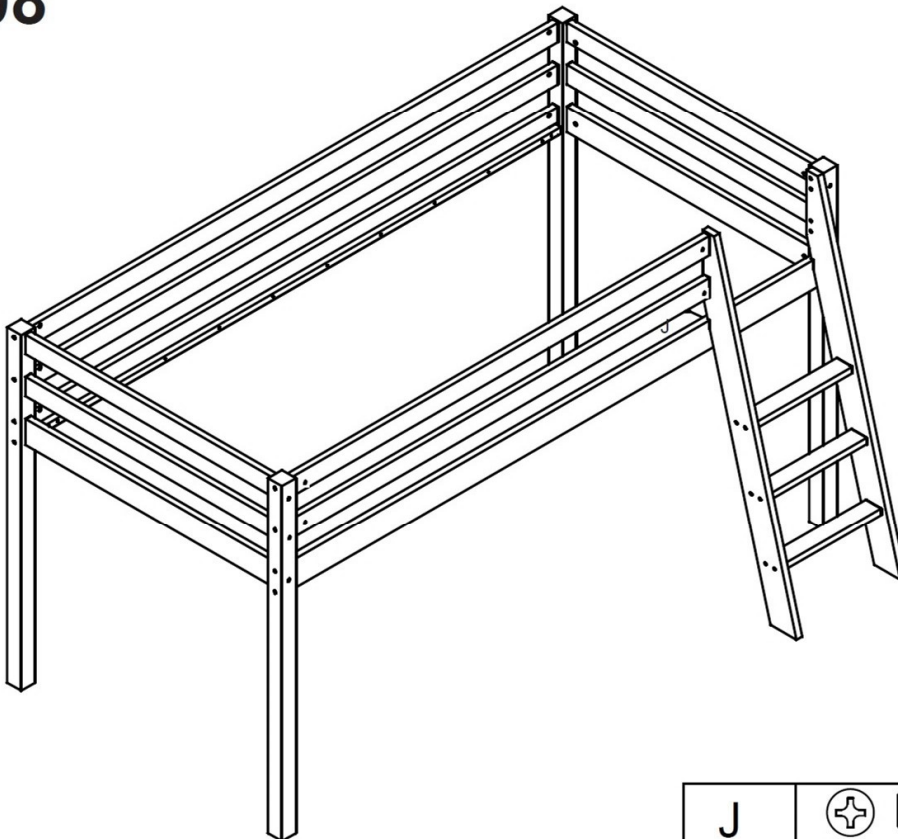
F	 Ø8x30mm	04
---	--	----



07



B		02
D	  15mm M6x60mm	04
E		02

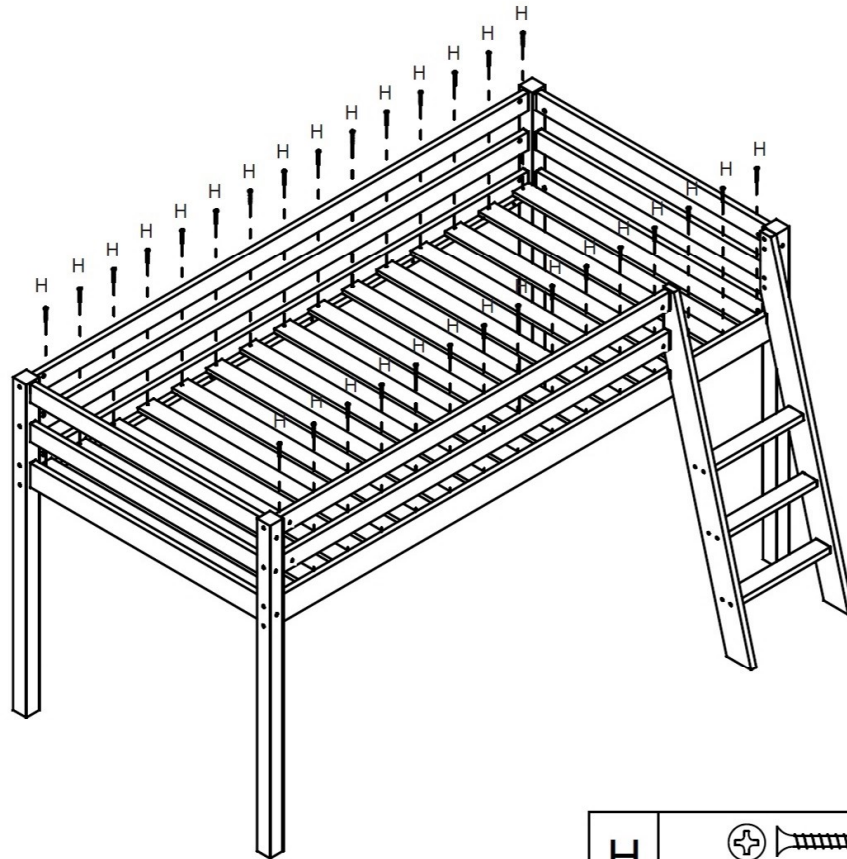
08

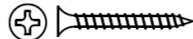


J	  8mm Ø4.5x60mm	01
---	--	----



# 09



H	 8mm Ø4x30mm	30
---	---	----

## Attaching the Curtains

When attaching the Velcro strips to the side of the bed please ensure the area is completely free from any dust or dirt.

If necessary clean the surface before sticking the adhesive backing to the frame of the bed.

When attaching the adhesive backing to the frame put pressure on the strip to ensure it sticks to the frame.

If the backing is stubborn to stick to the frame you can use superglue, staple or nail the adhesive backing to the frame to ensure it sticks firmly on the bed frame.

# Important Safety Information

- a) All assembly fastenings should be tightened properly and care should be taken that no fittings are loose.
- b) Maximum thickness of mattress:13.5cm, the max mattress thickness must not be over the maximum mattress thickness marking marked on the upper bed.
- c) Recommended size of the mattress:L190\*W90\*13.5cm.
- d) The Cabin bed should not be used if any structural part is broken or missing.
- e) The upper bed of the Cabin beds are not suitable for children under 3 years due to injury from falling.
- f) Children can strangle in items such as ropes, strings, cords,harnesses and belts attached to or hung on a bunk bed.
- g) Warning: Children can become trapped between the bed and the wall. To avoid risk of serious injury the distance between the tip safety barrier and the wall shall not exceed 75mm or shall be more than 230mm.
- h) EN747-1,04.2007

## Any Problems

**Call us**

**01303 872957**

**Email us**

**info@jadebay.co.uk**

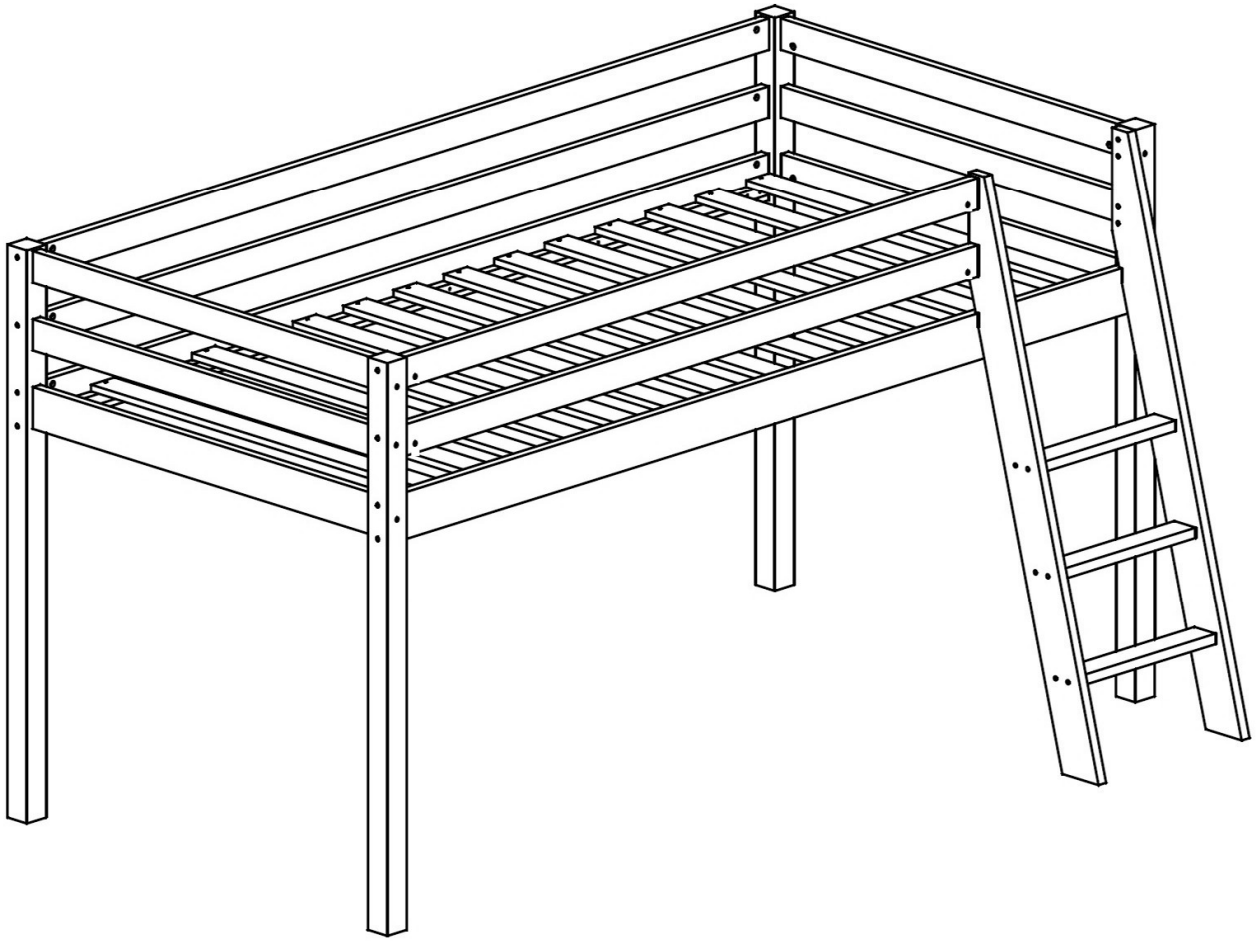
**Noa & Nani**<sup>TM</sup>  
CABIN BEDS

Distributed in the UK by

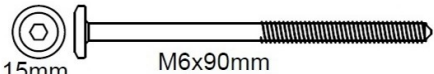

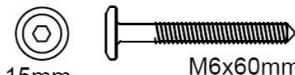

**JADEbay**




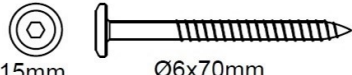
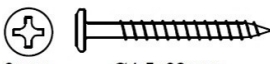
# Noa & Nani

CABIN BEDS



## HARDWARE

A	 15mm M6x90mm	22
B		24
D	 15mm M6x60mm	04
E	 15mm M8x20mm	02

F	 Ø8x30mm	34
G		02
H	 8mm Ø4x30mm	30
I	 15mm Ø6x70mm	12
J	 8mm Ø4.5x60mm	01