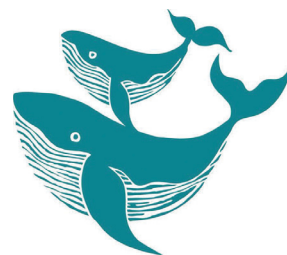
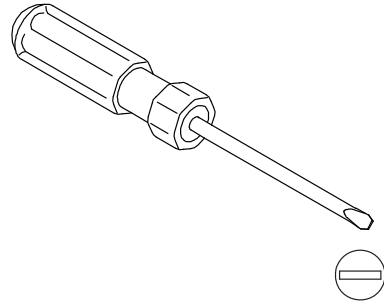
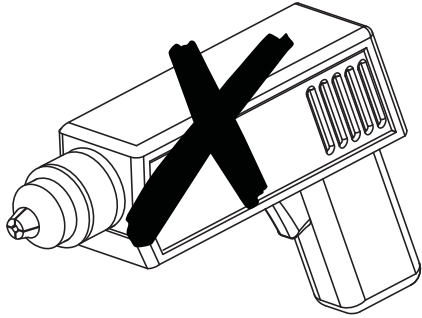


NÖA & NANI

FAMILY FURNITURE



LOTTIE BOPEEP BED ASSEMBLY INSTRUCTIONS

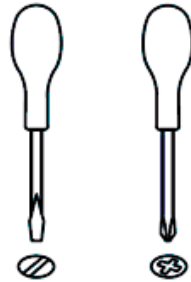


WARNING



**DO NOT USE
POWERTOOLS TO
ASSEMBLE THIS
PRODUCT**

Tools Required



CAUTION: Do not use tools other than those required, as this can damage your new item.

NOTE

- Please check you have all hardware before assembling.
- If you are missing any hardware, please contact the store of purchase.
- Please ensure you have the name of the item, required hardware part and quantity.
- Please retain your receipt as proof of purchase to validate your warranty.

CAUTION

- Do not tighten screws before all screws are in the right place.
- Do not use this product unless all bolts, screws and knobs are firmly secured.
- Check that all bolts, screws and knobs are securely tightened at least every 4 months.

WARNING

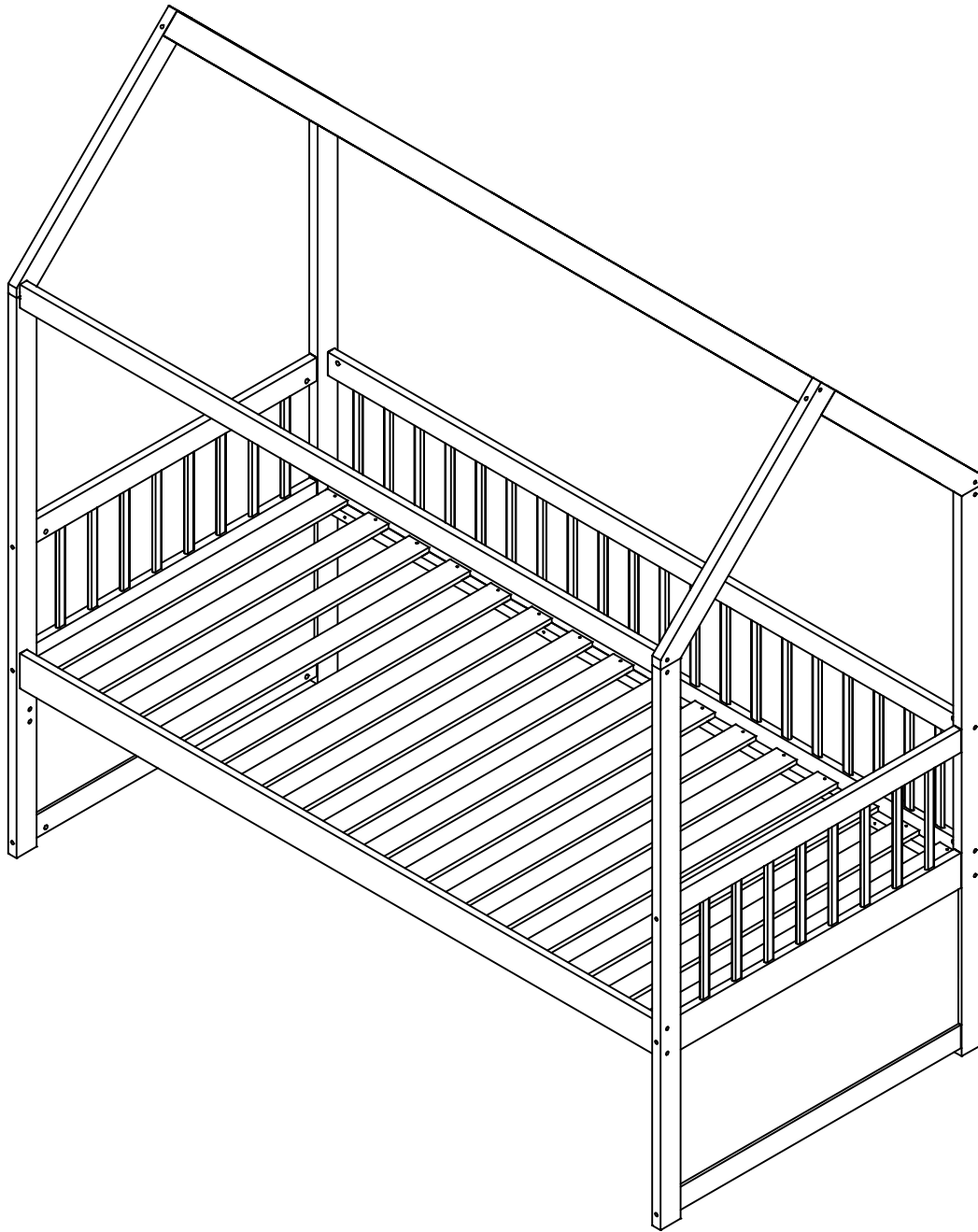
- If parts are missing, broken, damaged or worn stop using the product until all repairs are made using manufacturer authorised parts.
- Failure to follow these warnings could result in serious injury.

DANGER




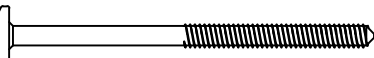


- CHILDREN MUST BE SUPERVISED.



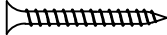

Packing List

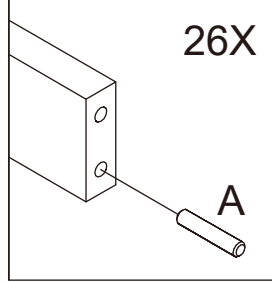
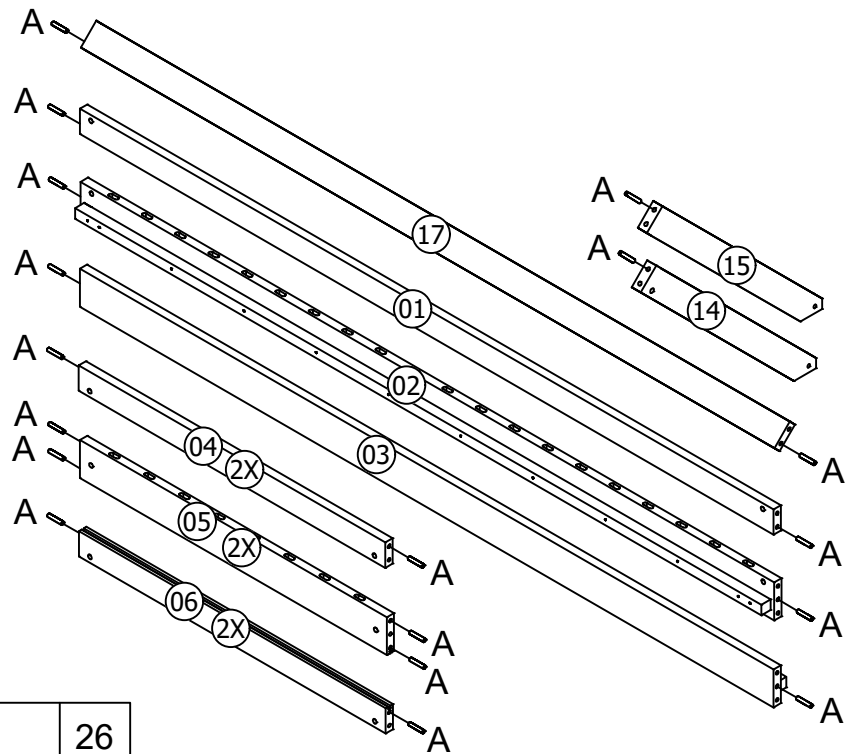
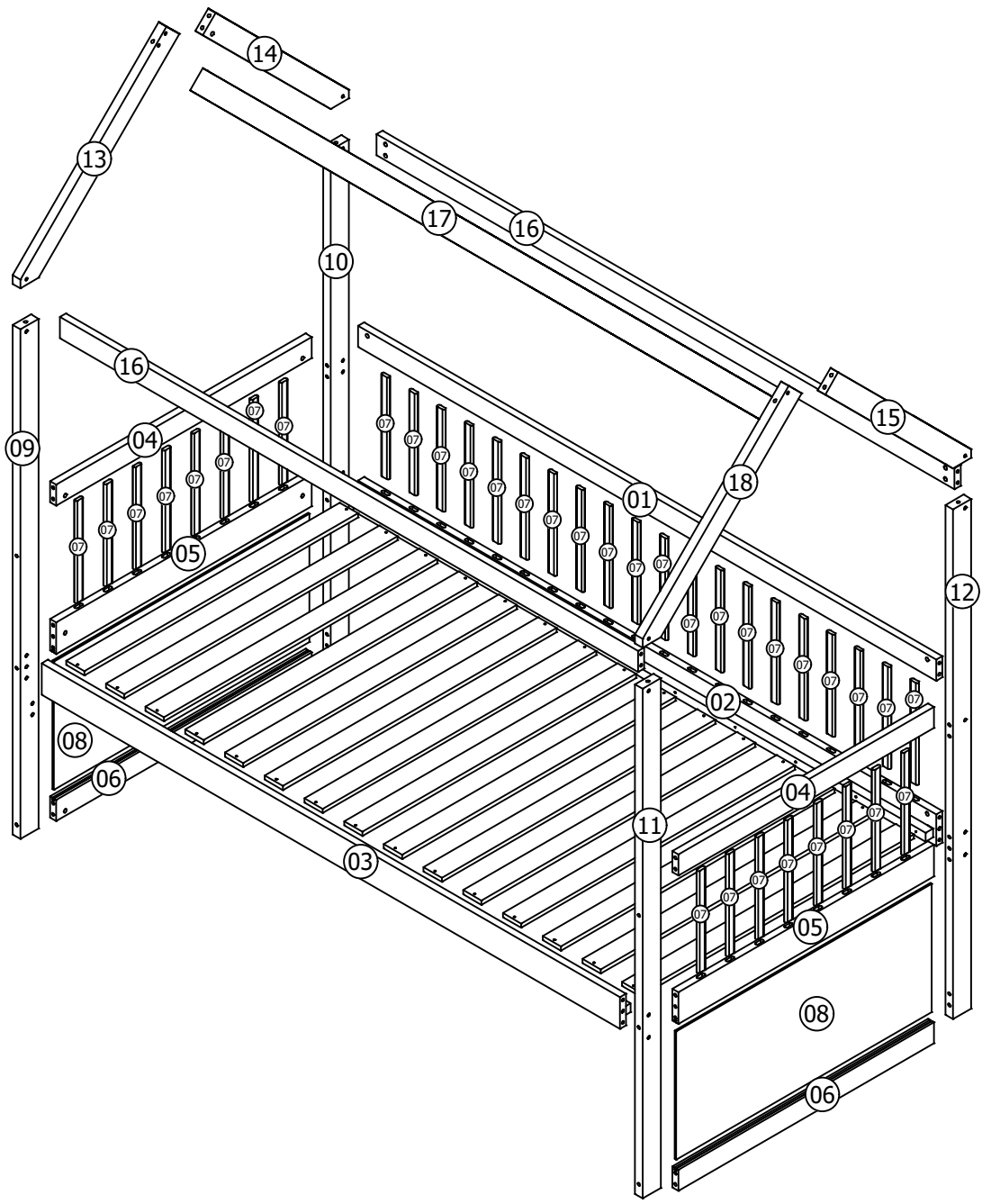
| CARTON NUMBER | PART NUMBER | QUANTITY |
|---------------|-----------------------|----------|
| Carton 2 of 3 | 1 | 1 |
| | 2 | 1 |
| | 3 | 1 |
| | 9 | 1 |
| | 10 | 1 |
| | 11 | 1 |
| | 12 | 1 |
| | 16 | 2 |
| | 17 | 1 |
| | Hardware | 1 |
| | Assembly Instructions | 1 |
| Carton 1 of 3 | 4 | 2 |
| | 5 | 2 |
| | 6 | 2 |
| | 7 | 36 |
| | 8 | 2 |
| | 13 | 1 |
| | 14 | 1 |
| | 15 | 1 |
| | 18 | 1 |





HARDWARE

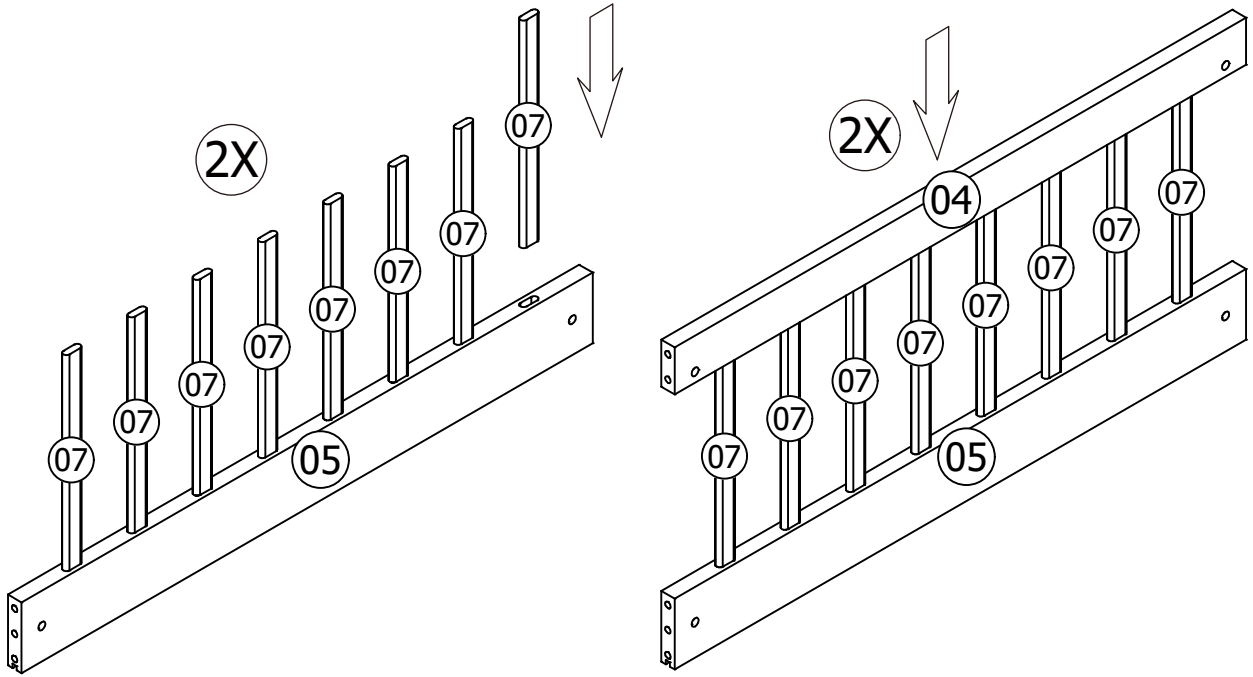
| | | |
|----------|---|-----------|
| A |   8mm Ø8x30mm | 30 |
| B |   15mm M6x100mm | 14 |
| C |   15mm M6x70mm | 20 |

| | | |
|----------|--|-----------|
| D |  Ø10x13mm | 34 |
| E |   8mm Ø4x30mm | 30 |
| F |  4mm | 01 |

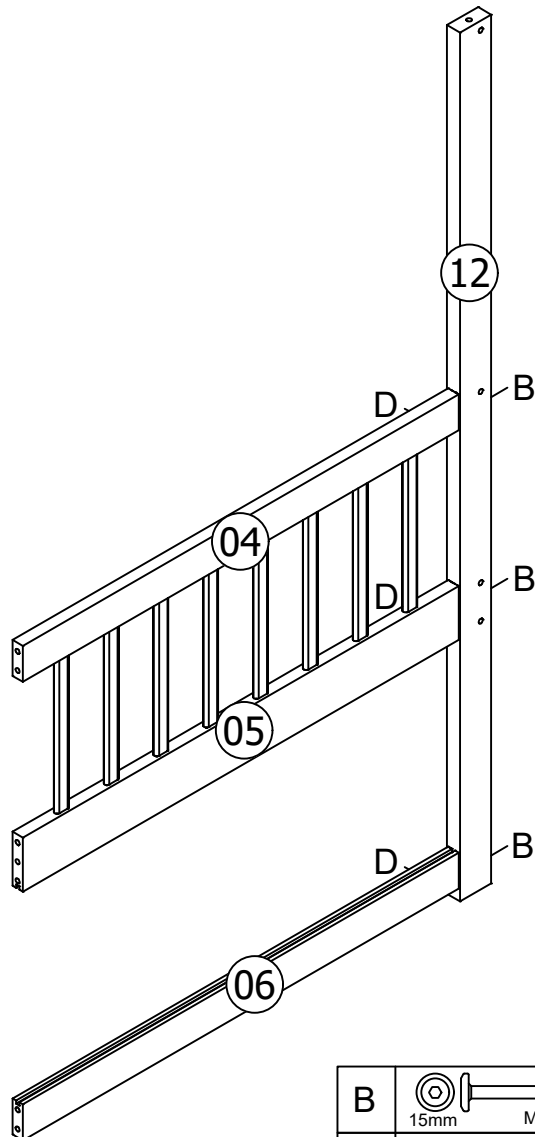
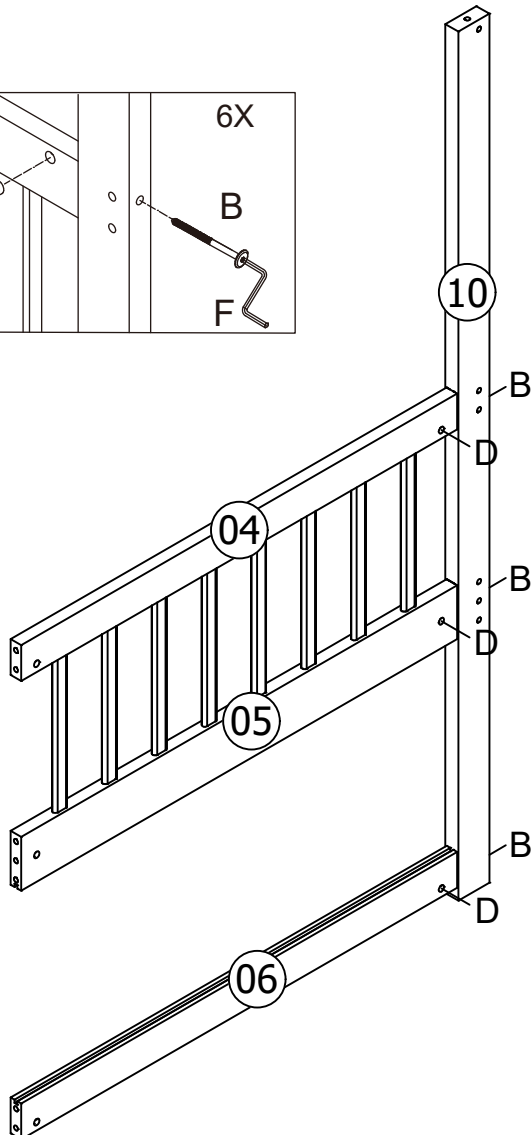
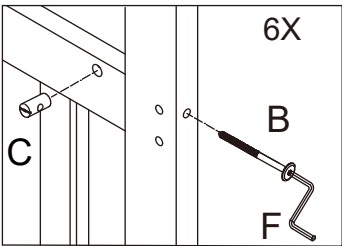


| | | | |
|---|--|--|----|
| A |  8mm |  Ø8x30mm | 26 |
|---|--|--|----|



01



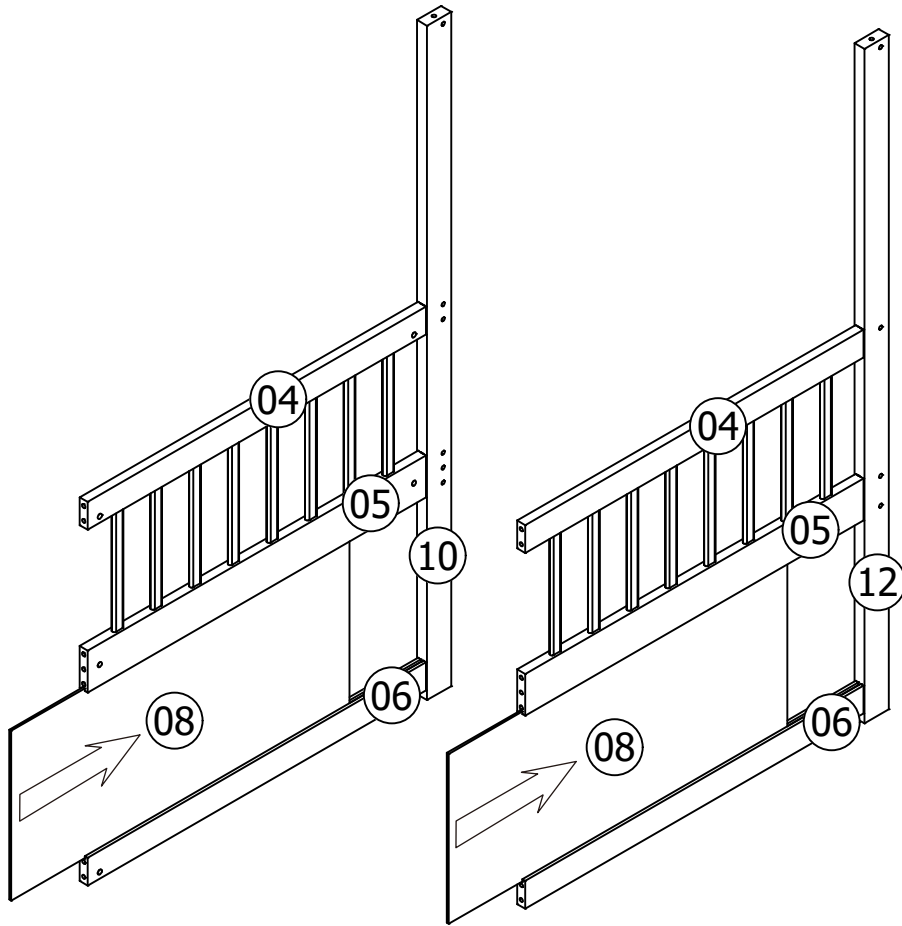
02



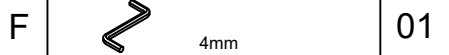
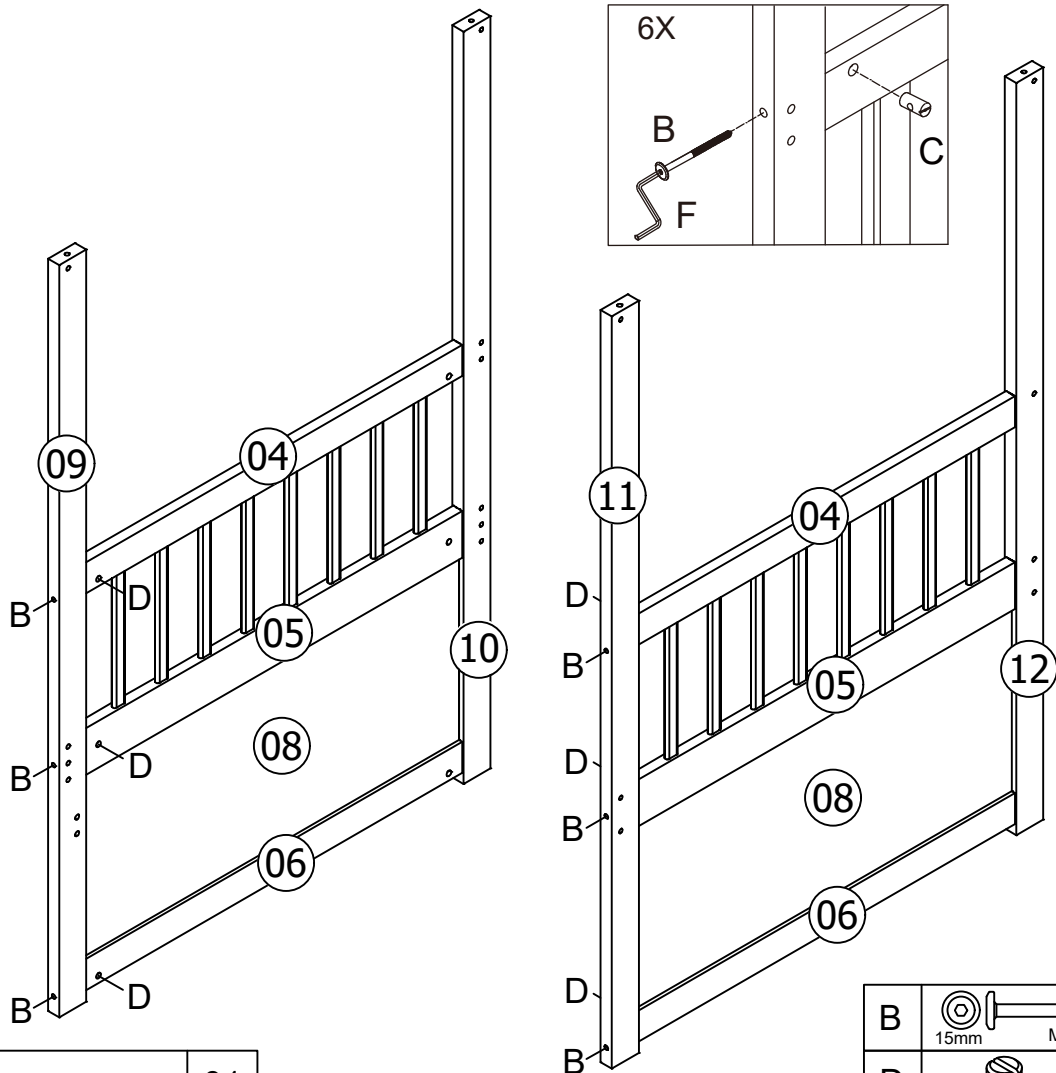
| | | | |
|---|---|-----|----|
| F |  | 4mm | 01 |
|---|---|-----|----|

| | | | |
|---|---|---------------|----|
| B |  | 15mm M6x100mm | 06 |
| D |  | Ø10x13mm | 06 |

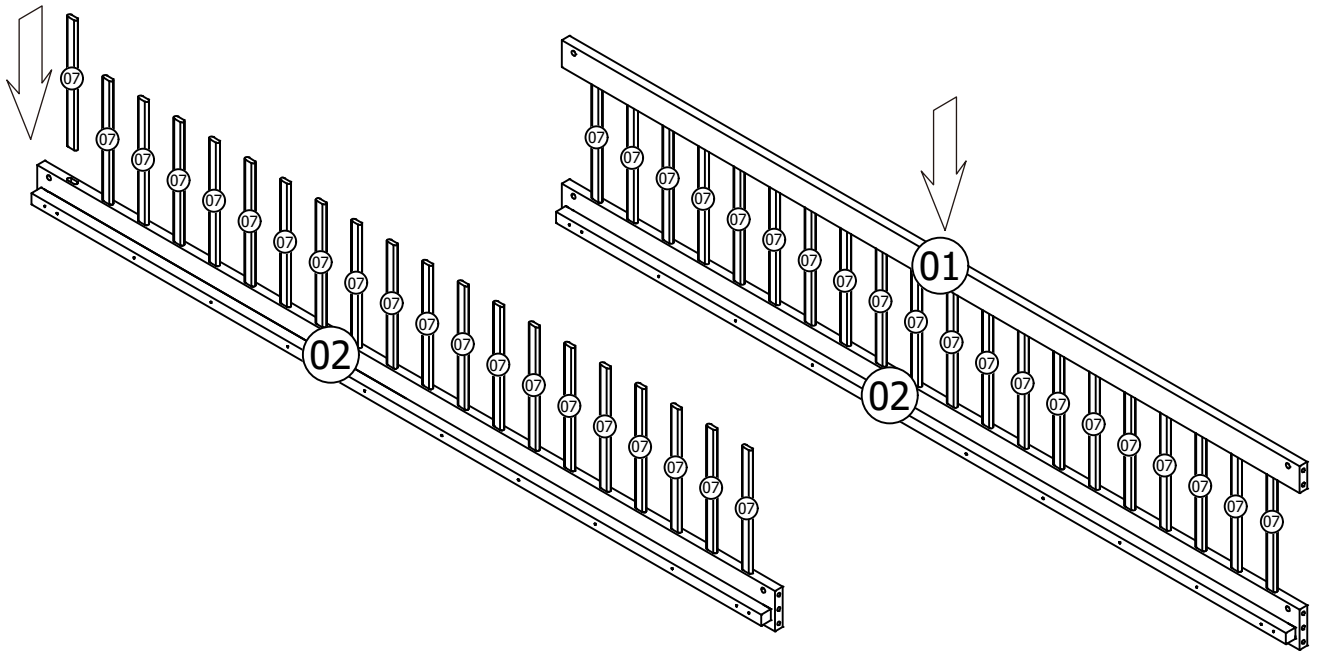
03



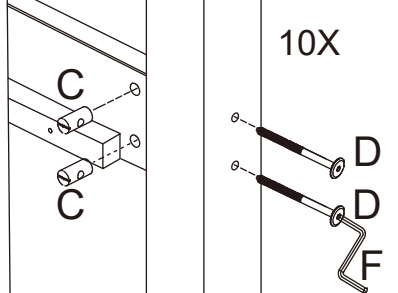
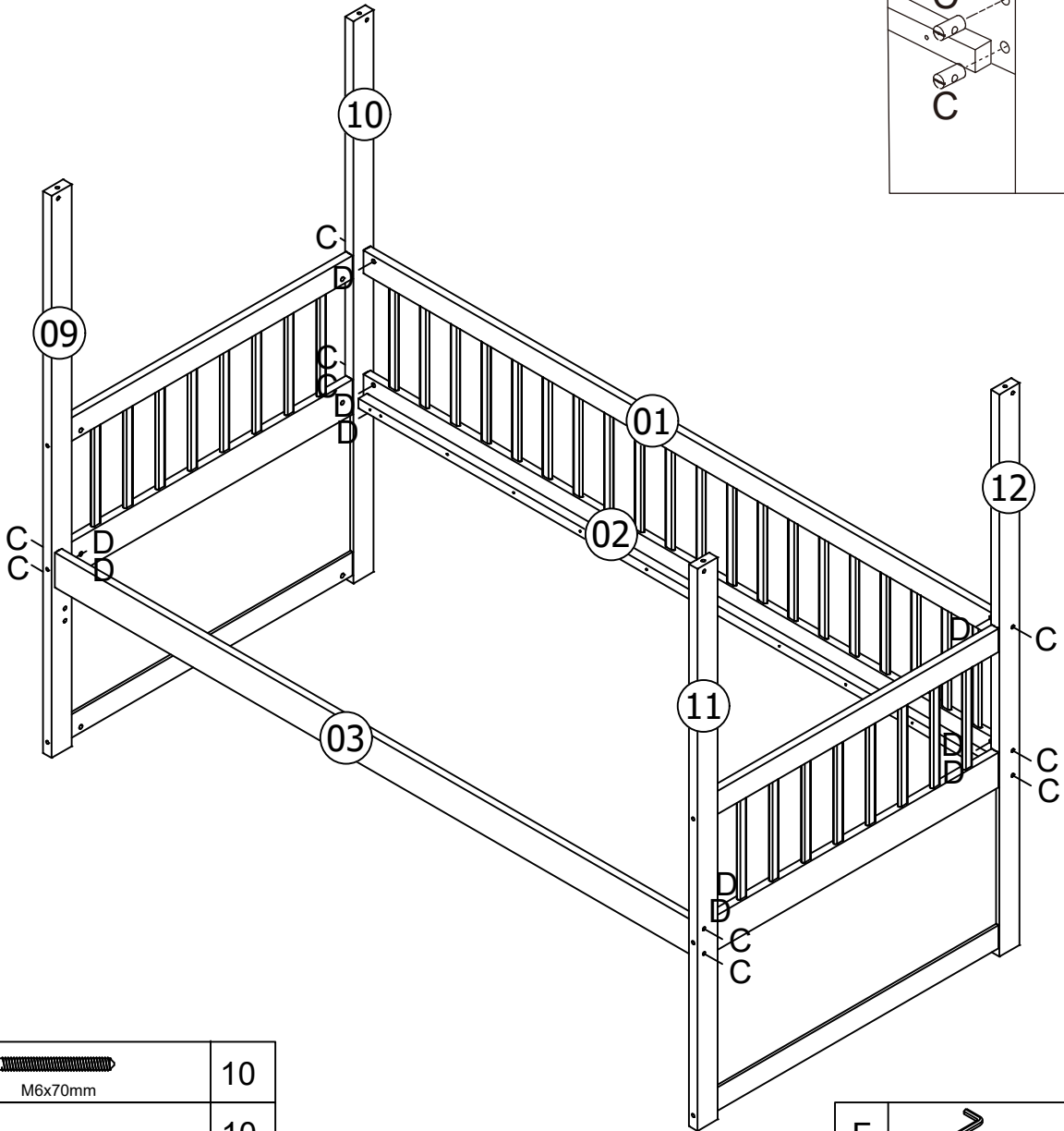
04





05



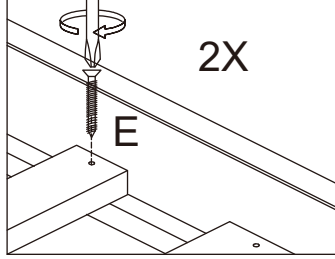
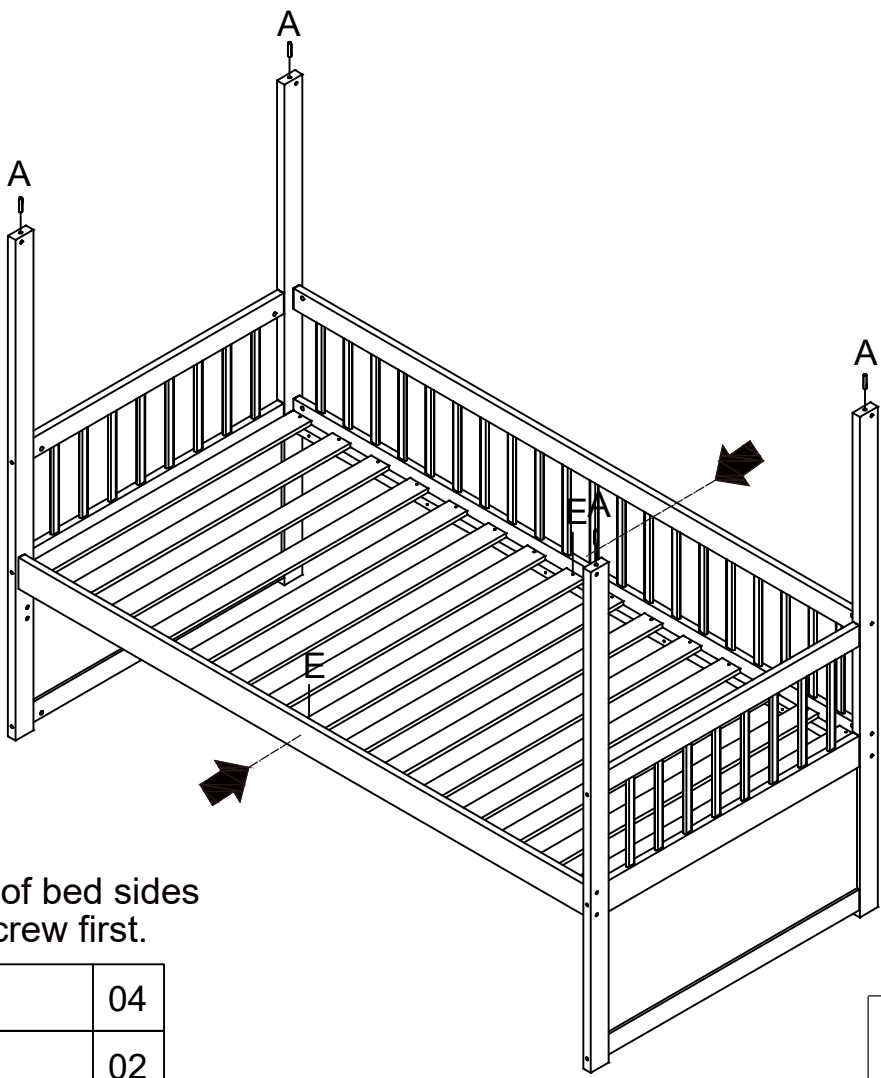
06





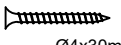
| | | |
|---|---|----|
| C |  15mm M6x70mm | 10 |
| D |  Ø10x13mm | 10 |

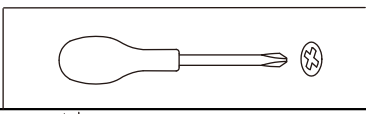
| | | |
|---|--|----|
| F |  4mm | 01 |
|---|--|----|

07

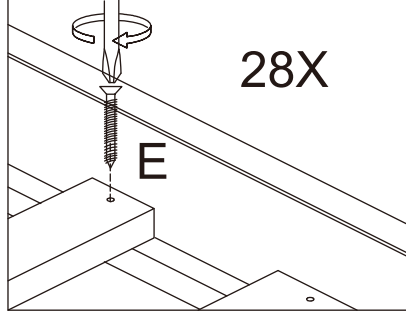
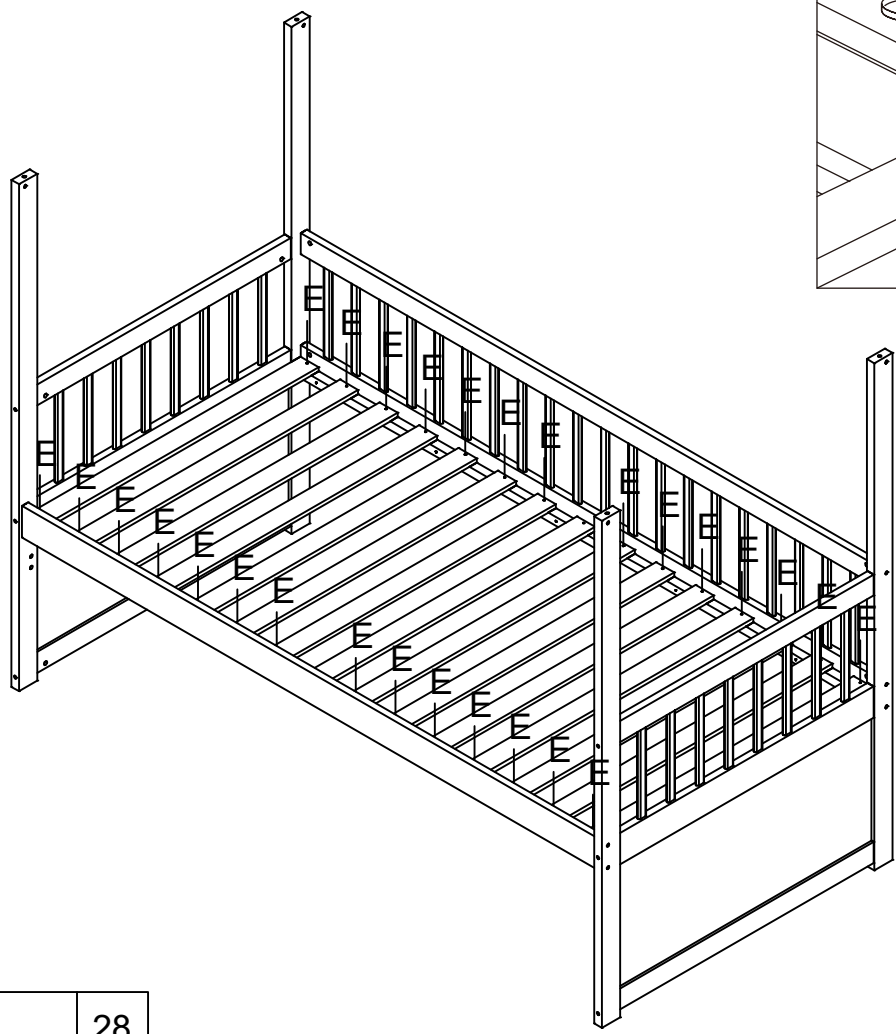



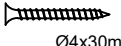
WARNING:
Press the middle of bed sides
and tighten the screw first.

| | | | |
|---|---|---|----|
| A |  |  | 04 |
| E |  |  | 02 |

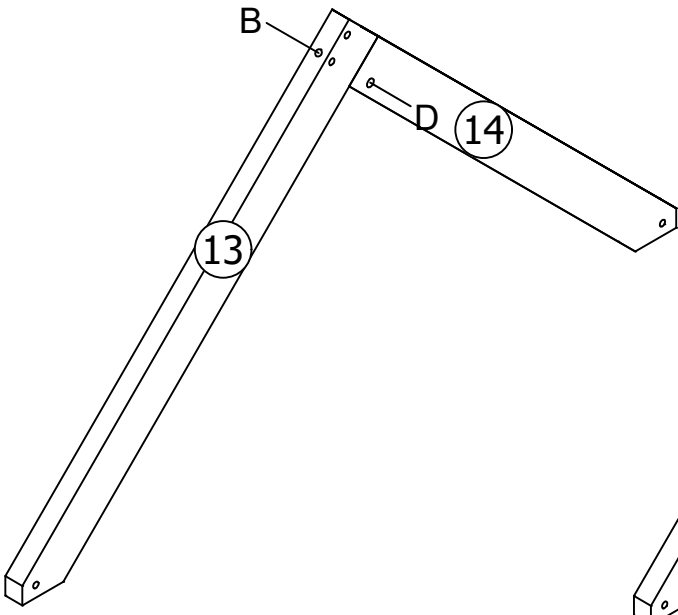




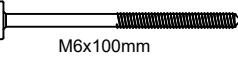

08



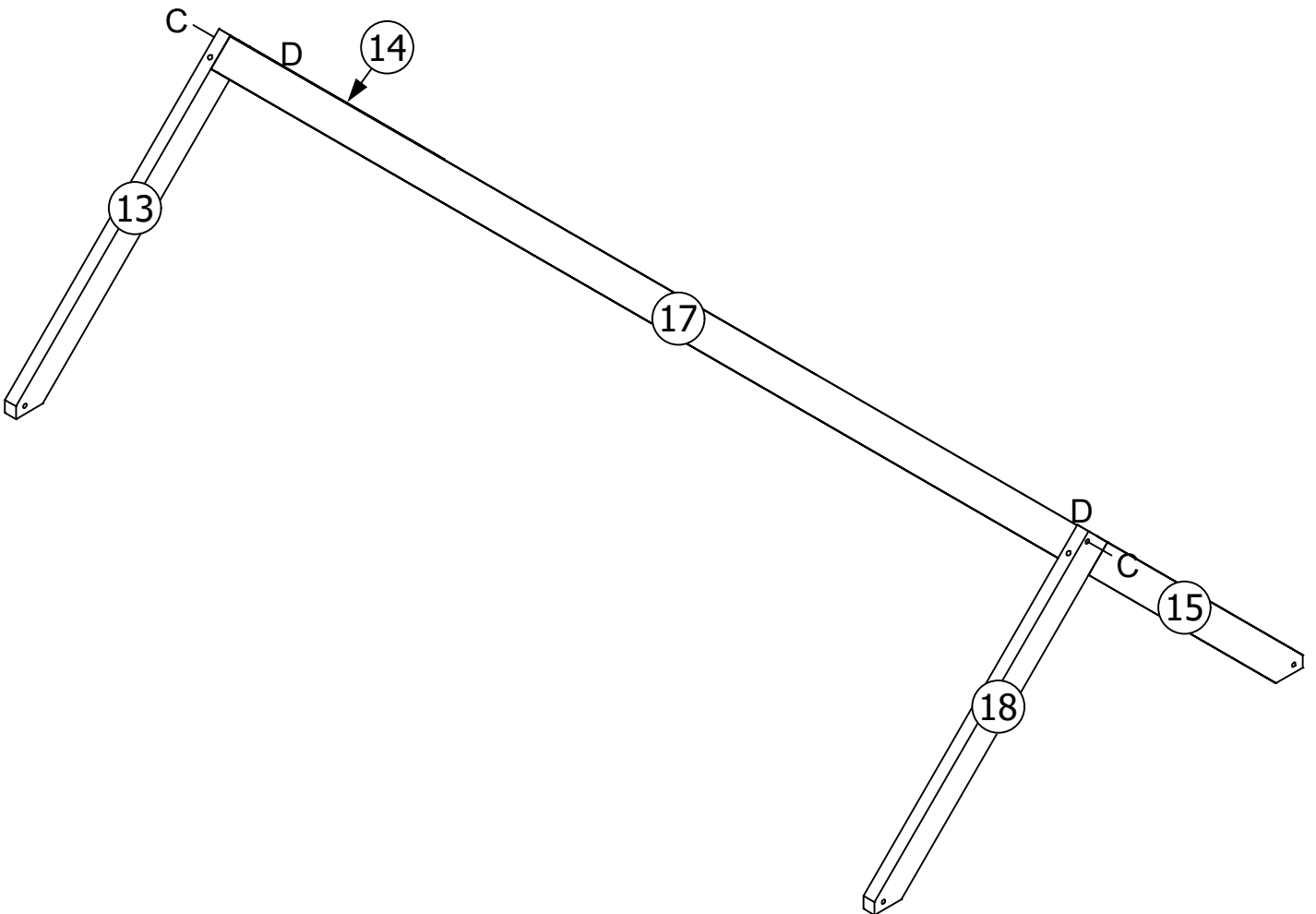
| | | | |
|---|---|---|----|
| E |  |  | 28 |
|---|---|---|----|


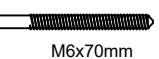


09

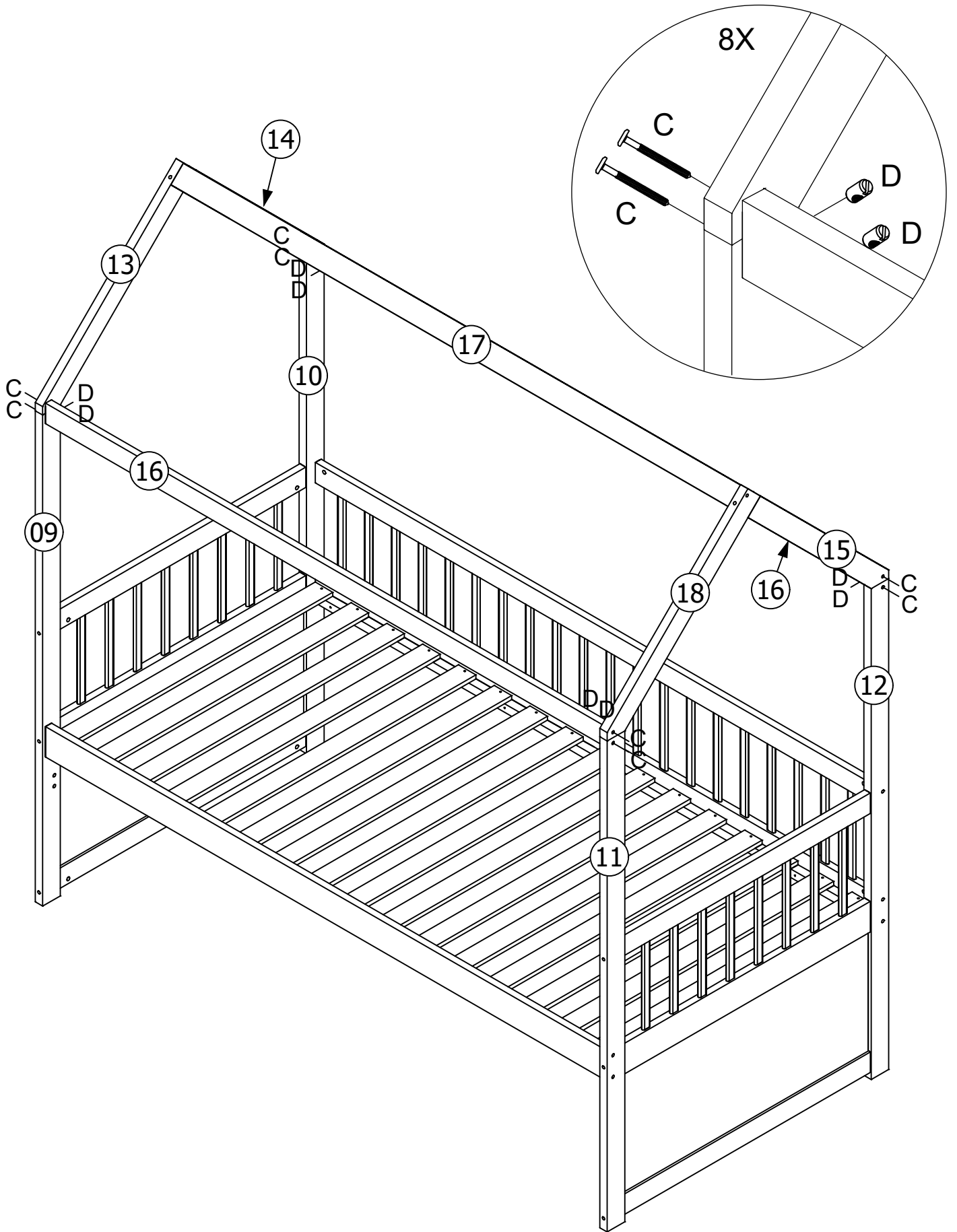




| | | |
|---|--|----|
| F |  4mm | 01 |
| B |  15mm  M6x100mm | 02 |
| D |  Ø10x13mm | 02 |

10



| | | | | | |
|---|---|----|---|---|----|
| C |  15mm  M6x70mm | 02 | | | |
| D |  Ø10x13mm | 02 | F |  4mm | 01 |



| | | |
|---|---|----|
| C |  15mm M6x70mm | 08 |
| D |  Ø10x13mm | 08 |

| | | |
|---|--|----|
| F |  4mm | 01 |
|---|--|----|

IMPORTANT - READ CAREFULLY - RETAIN FOR FUTURE REFERENCE

Safety Information

All assembly fixings should be tightened properly and care should be taken that no fittings are loose. Regular tightening of the bolts is recommended to extend the lifespan of the product. Please follow all the instructions when assembling the product and do not use power tools when building.

Warning: The product should not be used if any structural part is broken or missing. If any part is missing or broken report it and we will replace, do not attempt to fix the item or purchase additional parts not included with the bed; this will invalidate the warranty.

Return Information

If you have any problems with the item just email us at info@noaandnani.co.uk and we can resolve it for you, our technical team will be able to assist in helping. If you have any parts that are damaged we can replace them for you. If you do need to return the item for some reason just email and request an RMA number .

Assembly Information

We understand that self assembly furniture can be a pain but we try and make it as easy as possible for anyone to build, if you have found a problem with the assembly of the product or with the assembly instructions or you have comments on how we could improve them, we would love to hear from you. Just contact us either by email at productadvice@noaandnani.co.uk or via Live Chat on our website noaandnani.co.uk

Related Items

We have a matching range of items that compliment this product, just head to noaandnani.co.uk for the full selection.

Any Questions or Issues Scan here for help

