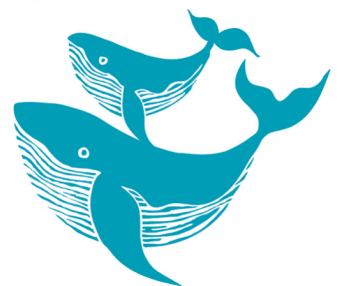


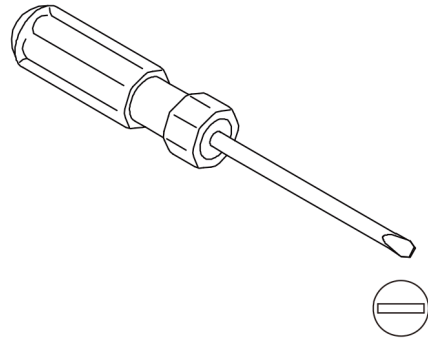
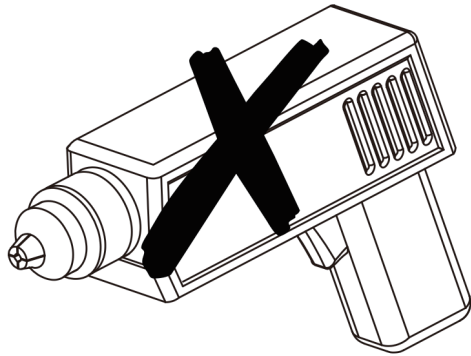
NÖA & NANI

FAMILY FURNITURE



KOPING PLATFORM BED ASSEMBLY INSTRUCTIONS

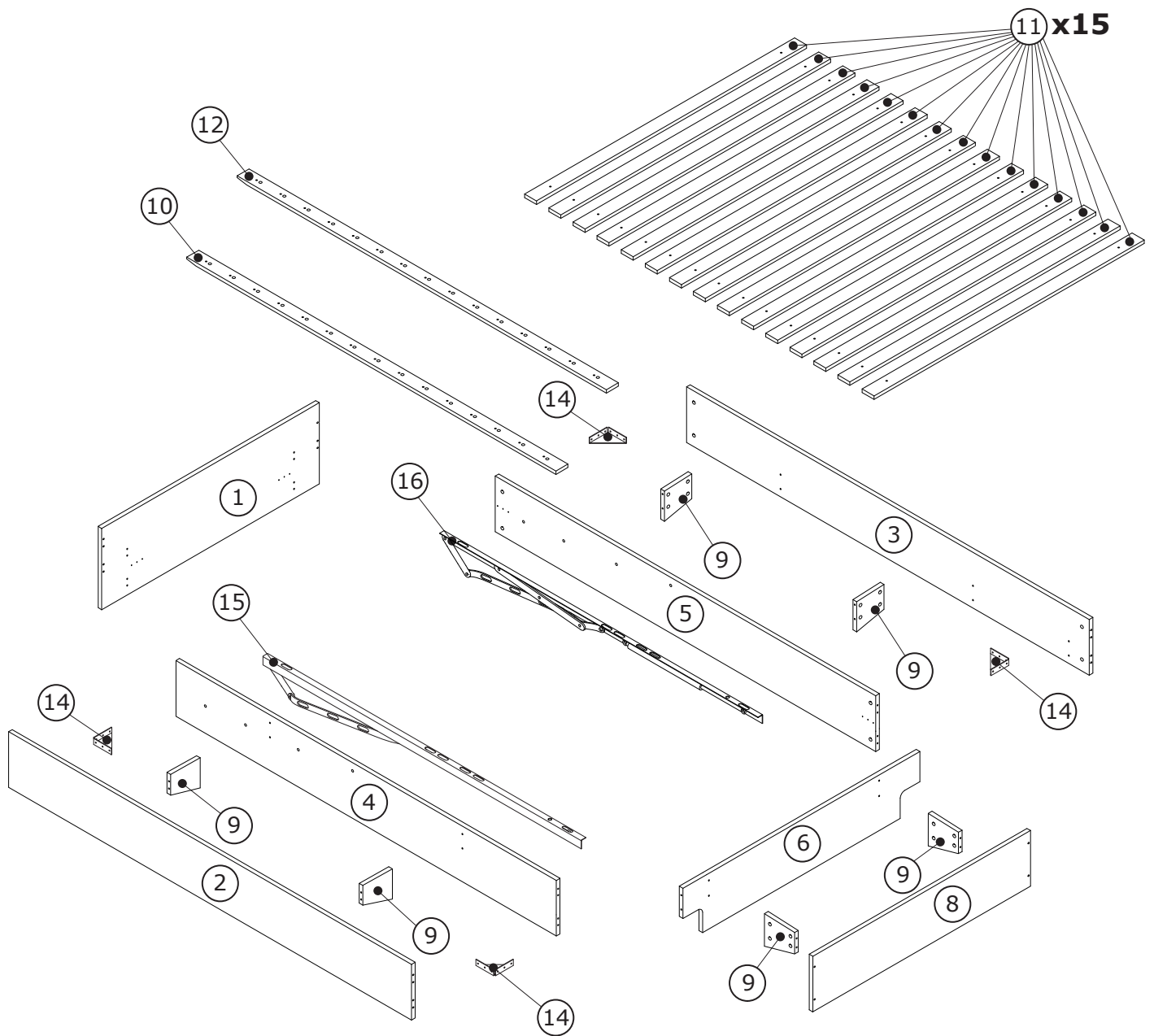
ID250268



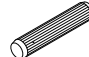



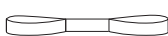









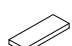


WARNING



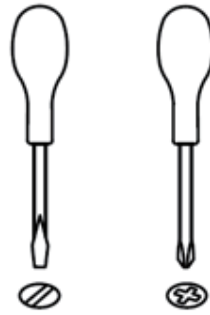
**DO NOT USE
POWERTOOLS TO
ASSEMBLE THIS
PRODUCT**



Hardware:

Part	Description	Quantity	Part	Description	Quantity
A	 8x30mm	46pcs	K	 8/13mm	8pcs
B	 6x35mm	12pcs	L	 8x70mm	8pcs
C	 6x50mm	24pcs	M	 300x25mm	1pc
D	 15x12mm	12pcs	N	 13mm	1pc
E	 12x14mm	8pcs	P	 M5mm	1pc
F	 15x14mm	24pcs	Q	 4x30mm	30pcs
G	 4x14mm	24pcs	R	 80x20x2mm	6pcs
H	 8x30mm	8pcs	S	 40x15x3mm	10pcs
J	 8x20mm	8pcs	T	 20mm	8pcs

Tools Required



CAUTION: Do not use tools other than those required, as this can damage your new item.

NOTE

- Please check you have all hardware before assembling.
- If you are missing any hardware, please contact the store of purchase.
- Please ensure you have the name of the item, required hardware part and quantity.
- Please retain your receipt as proof of purchase to validate your warranty.

CAUTION

- Do not tighten screws before all screws are in the right place.
- Do not use this product unless all bolts, screws and knobs are firmly secured.
- Check that all bolts, screws and knobs are securely tightened at least every 4 months.

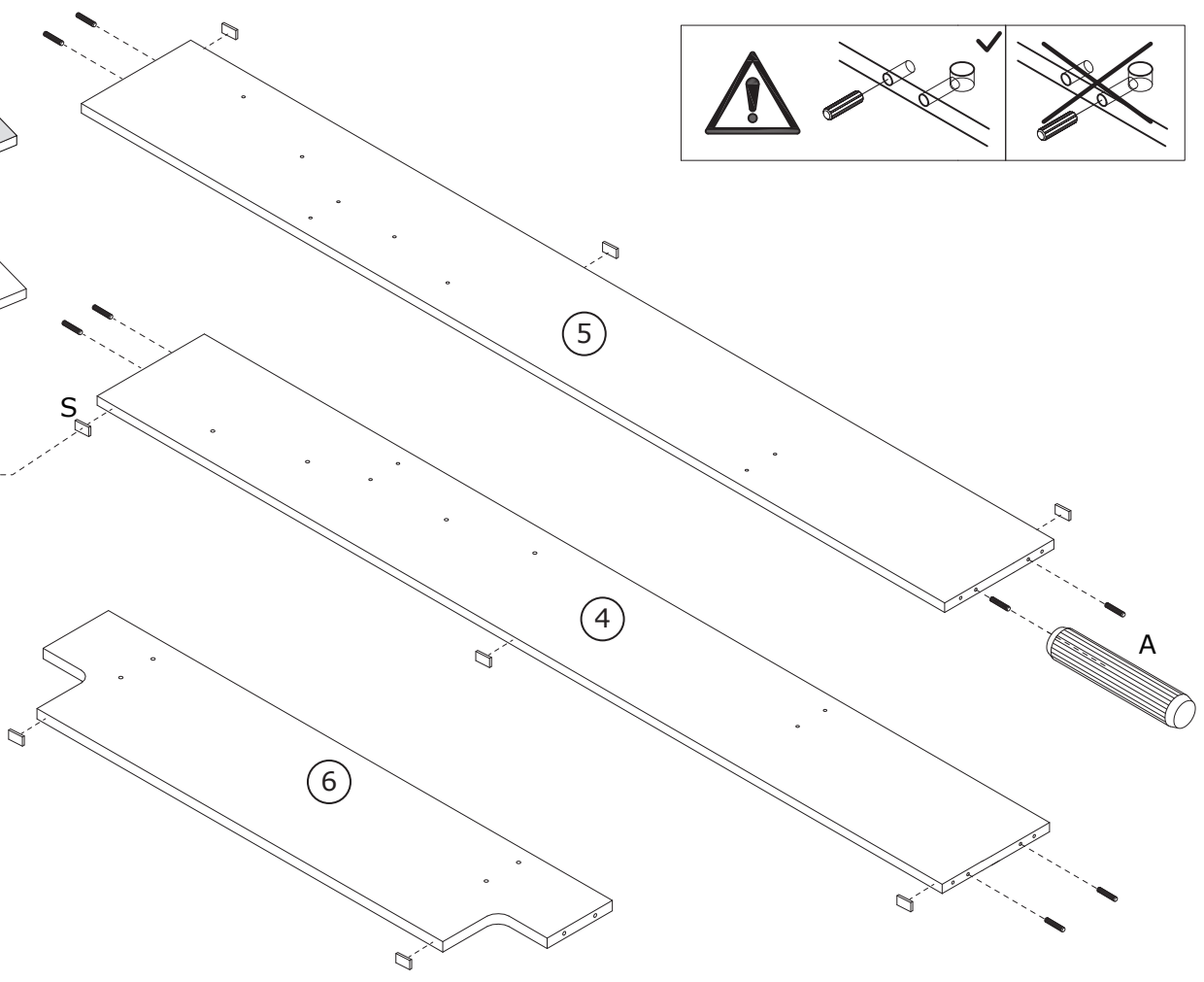
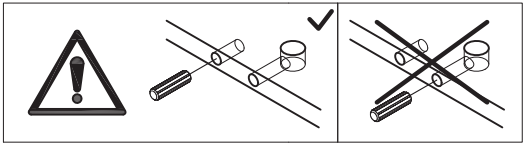
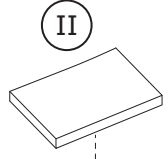
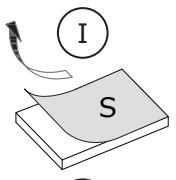
WARNING

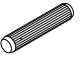
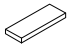
- If parts are missing, broken, damaged or worn stop using the product until all repairs are made using manufacturer authorised parts.
- Failure to follow these warnings could result in serious injury.

DANGER

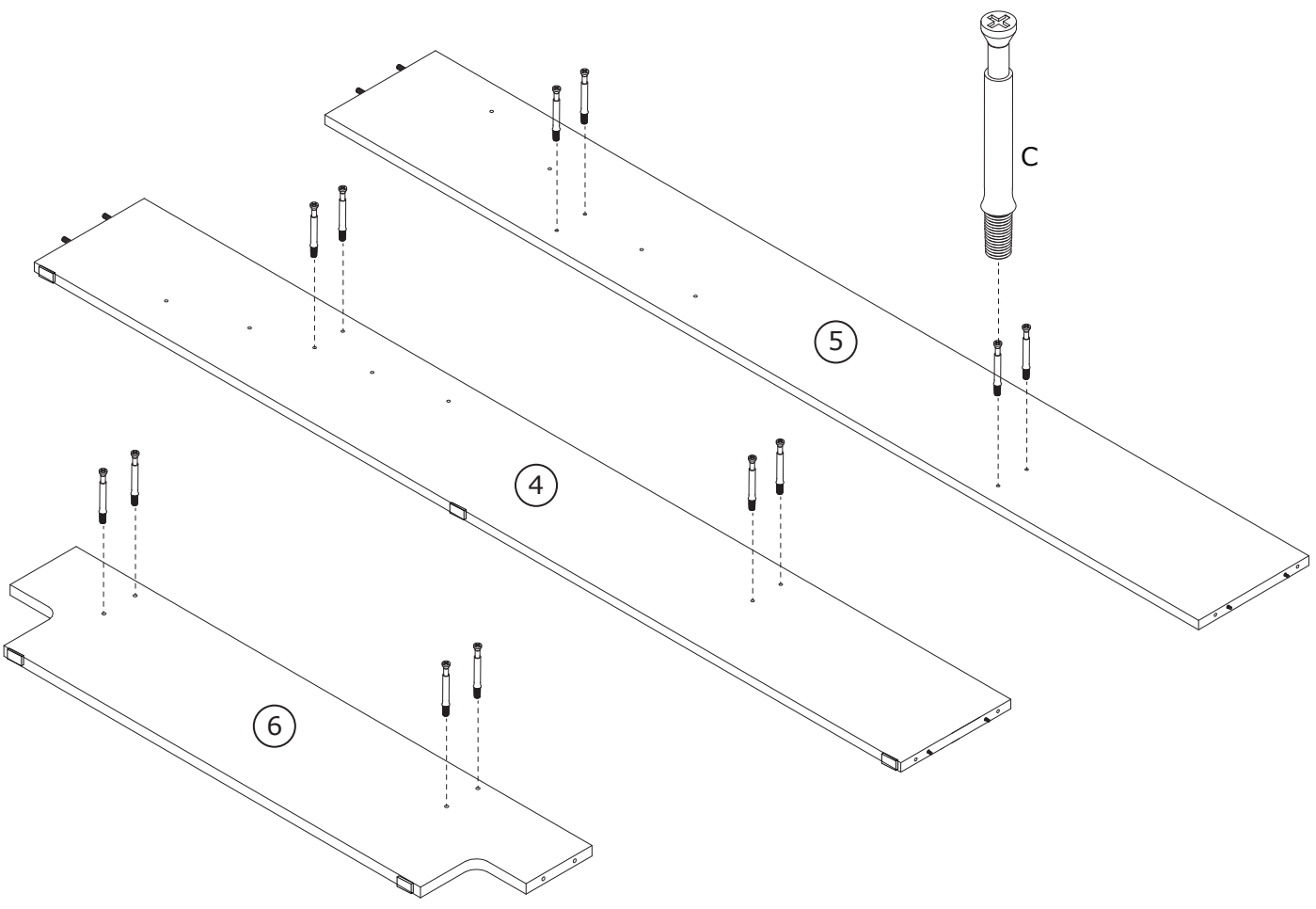
- CHILDREN MUST BE SUPERVISED.


①



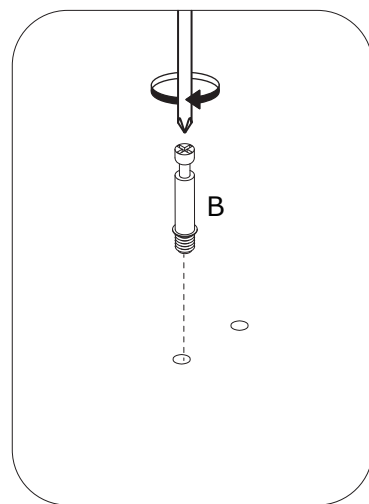
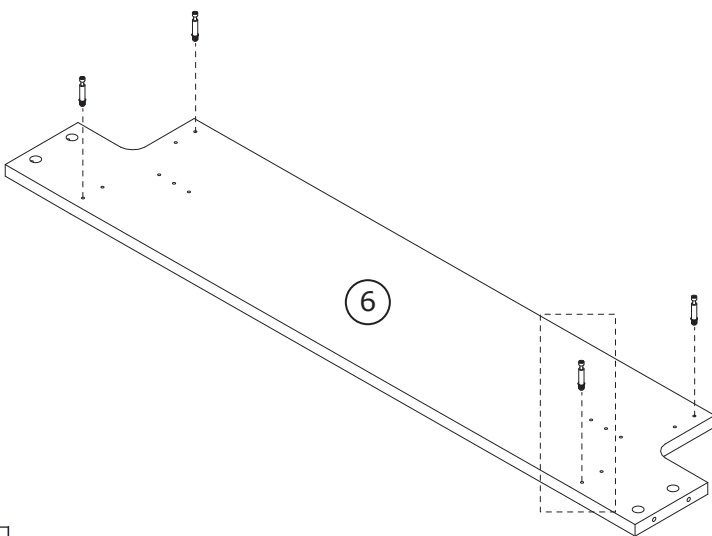
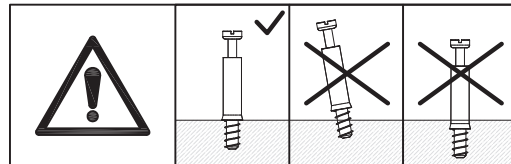
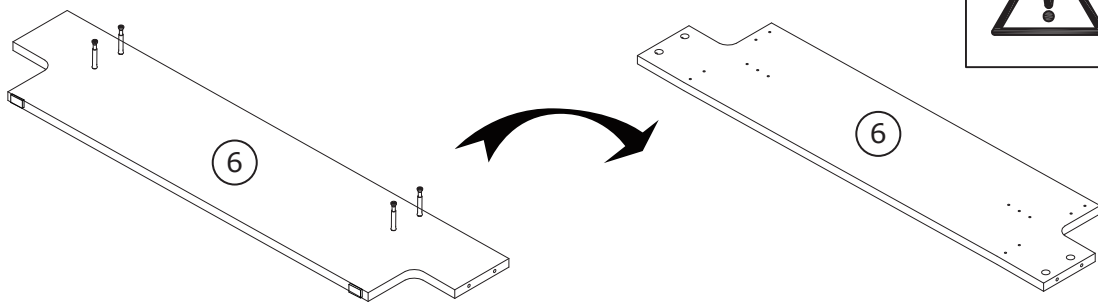
-  (A)x8pcs
-  (S)x8pcs

②



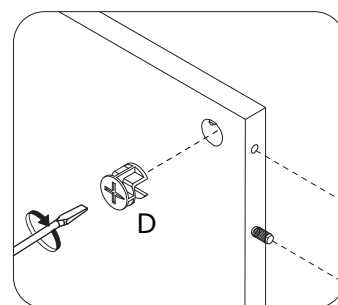
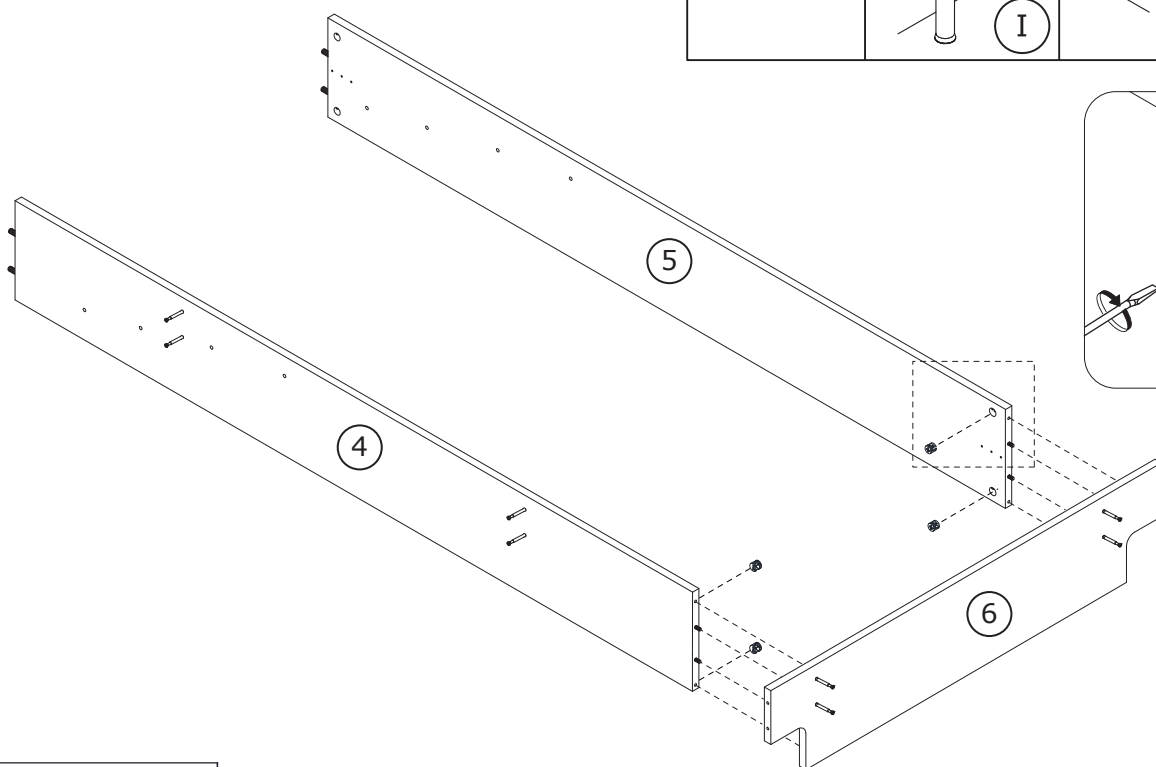
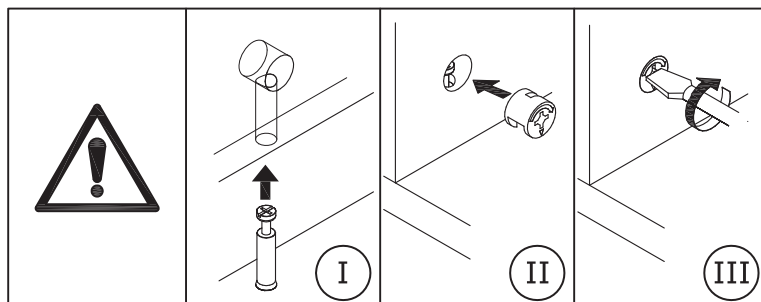
-  (C)x12pcs

3



(B)x4pcs

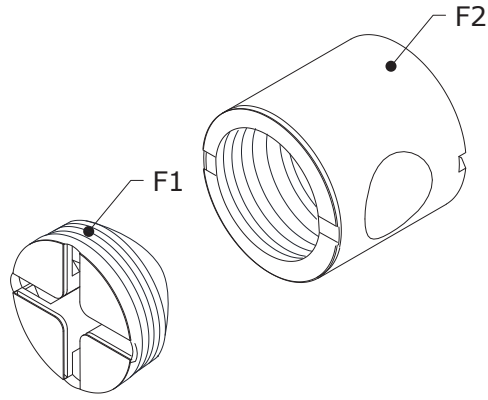
4



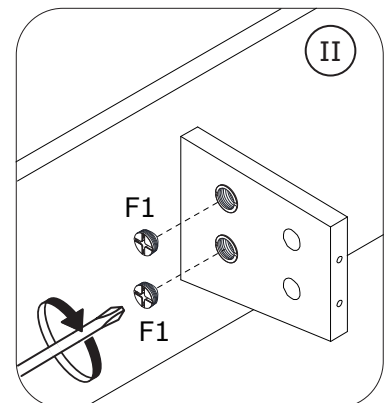
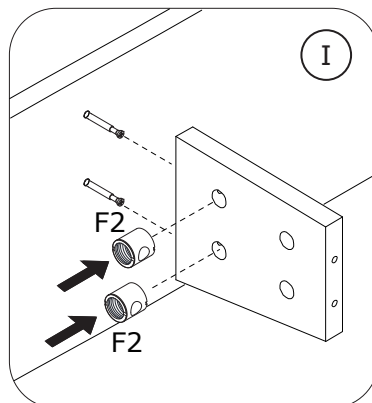
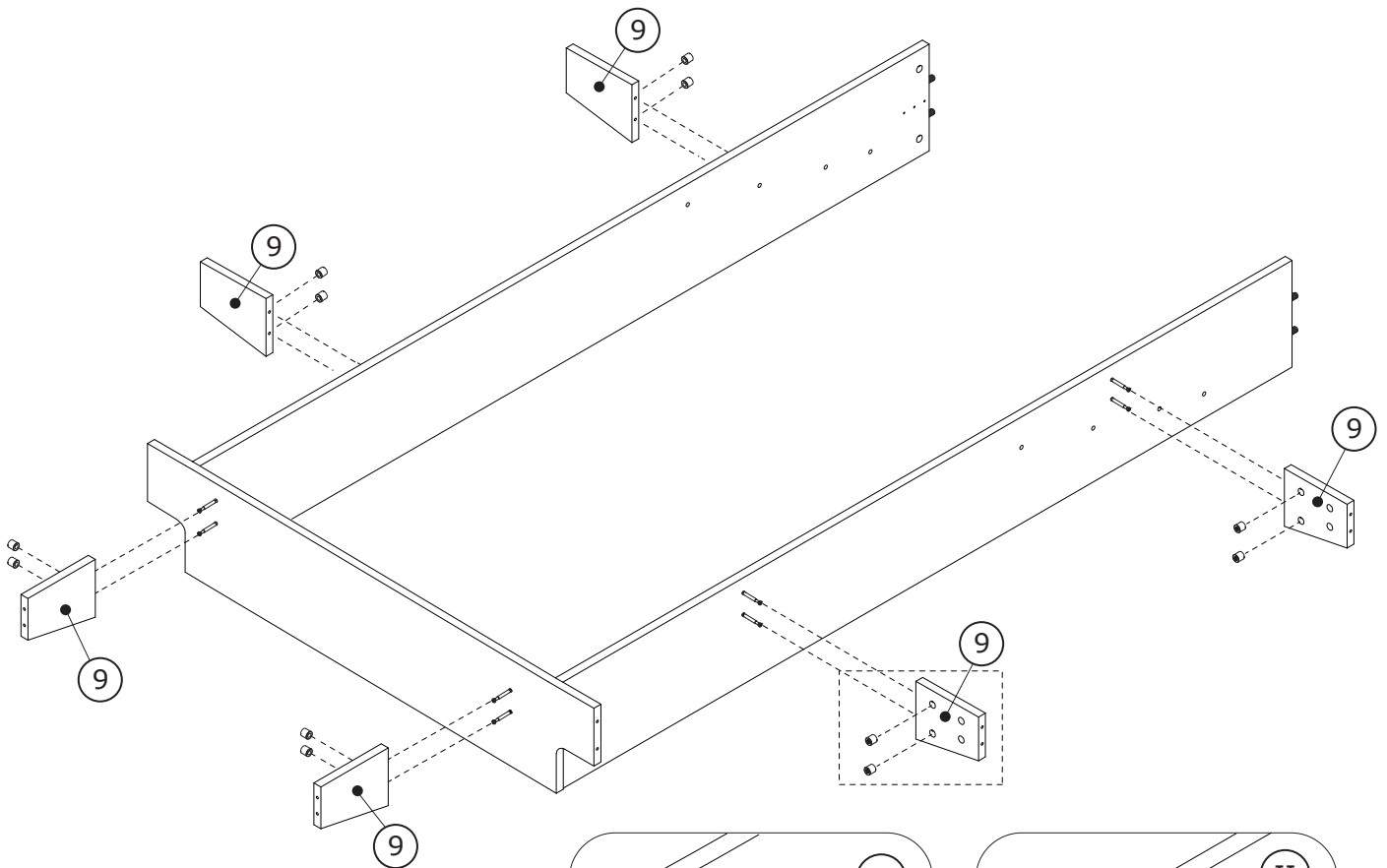
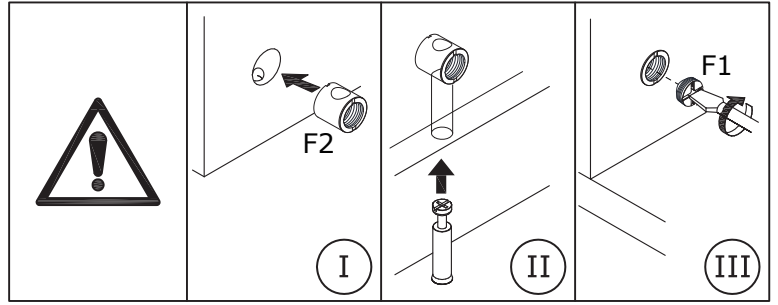
(D)x4pcs


5


$F = F1 + F2$



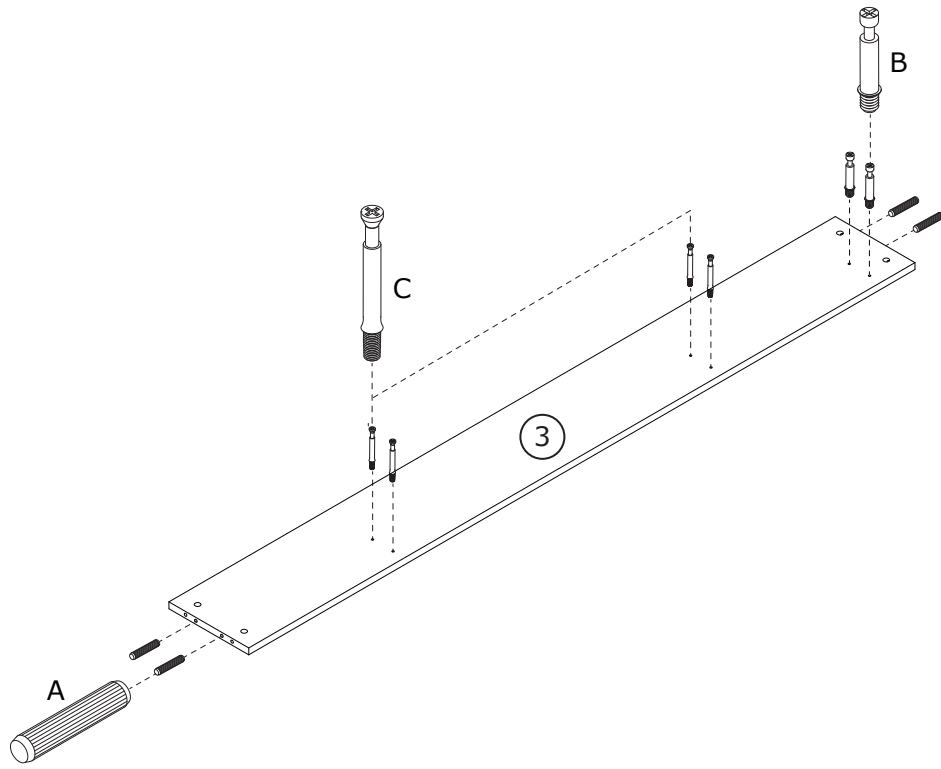
6

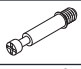
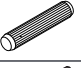



 (F₁)x12pcs

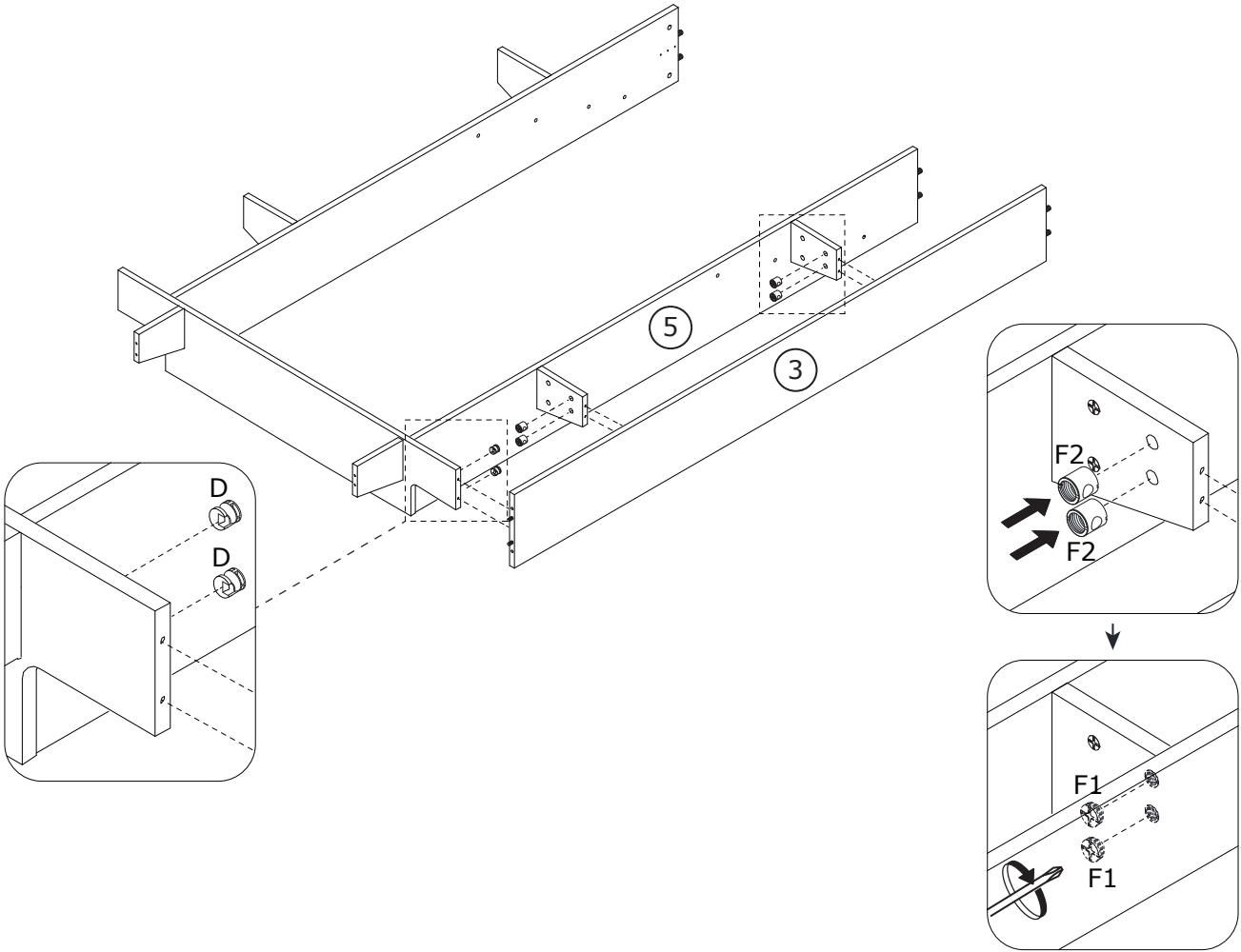
 (F₂)x12pcs




7



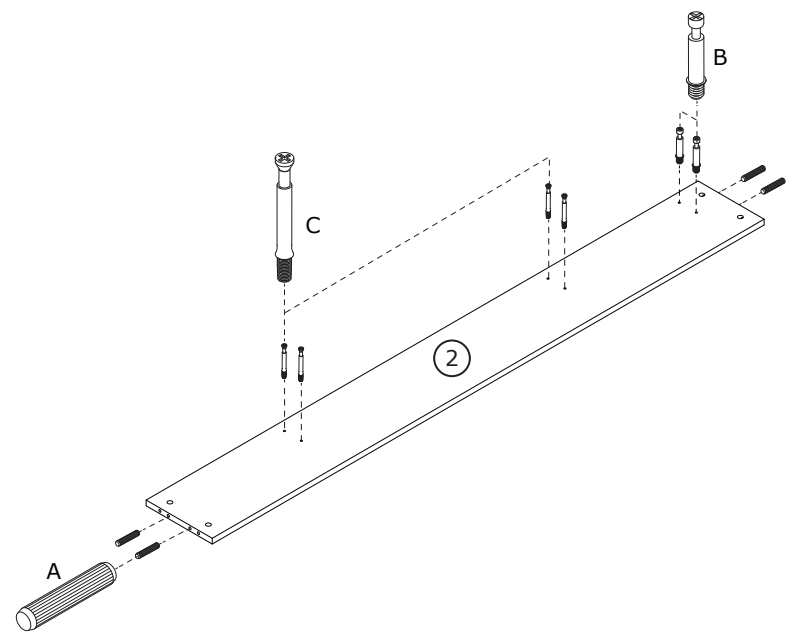
-  (B)x2pcs
-  (A)x4pcs
-  (C)x4pcs

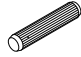


8



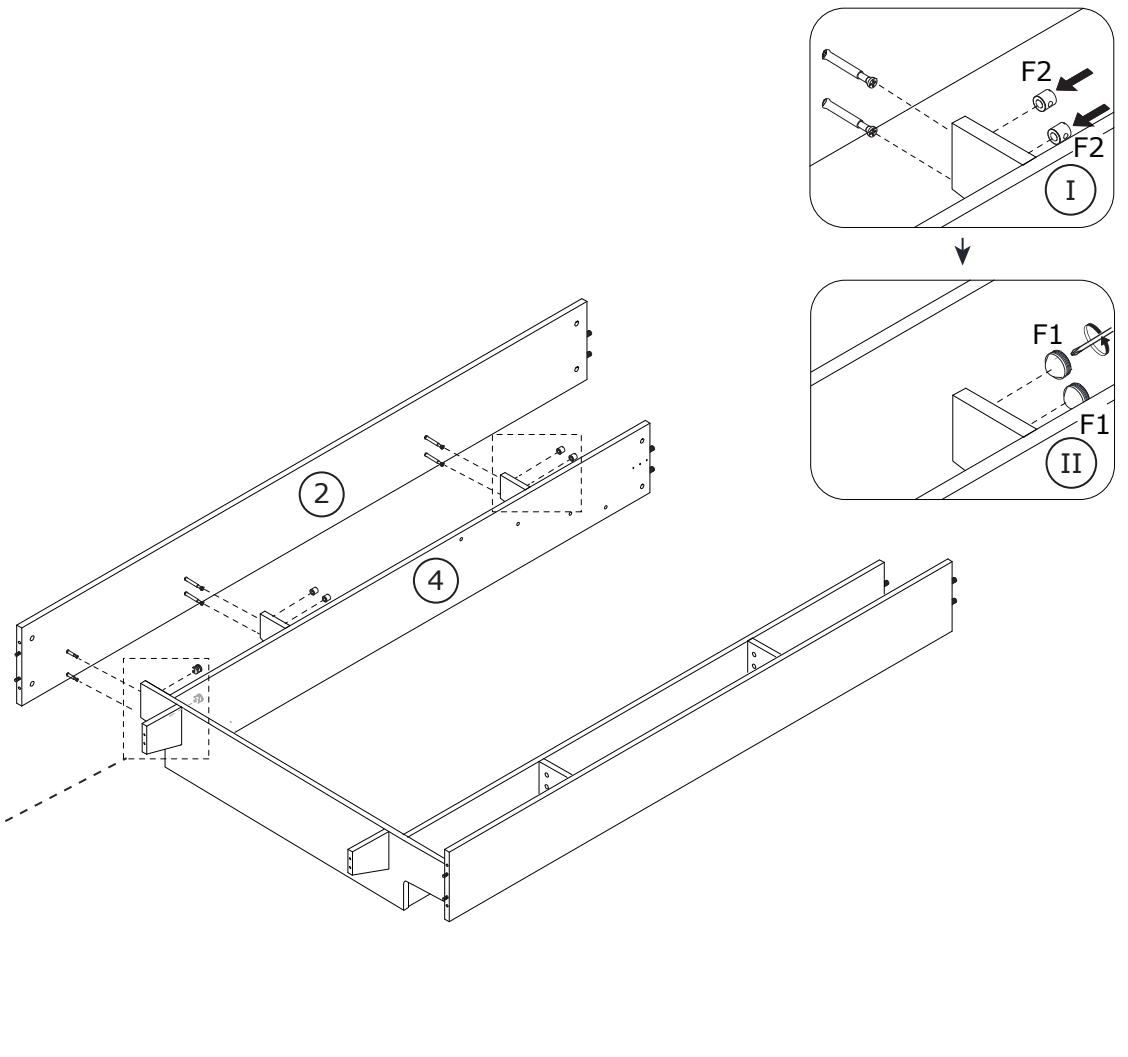
-  (D)x2pcs
-  (F₁)x4pcs
-  (F₂)x4pcs




9



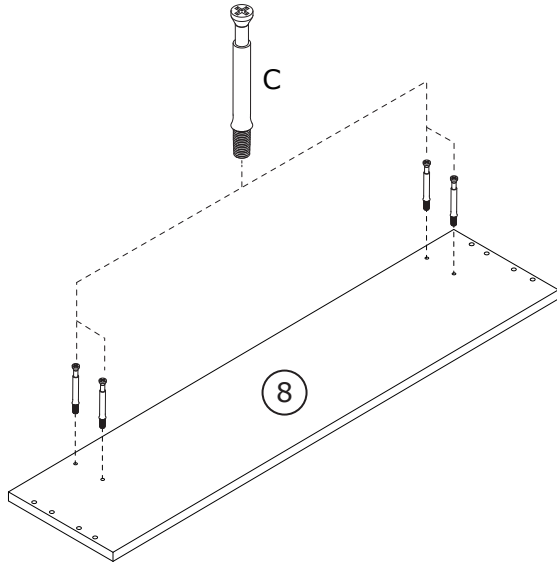
-  (A)x4pcs
-  (B)x2pcs
-  (C)x4pcs

10



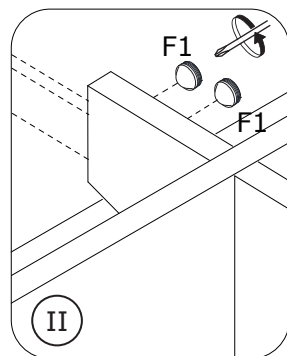
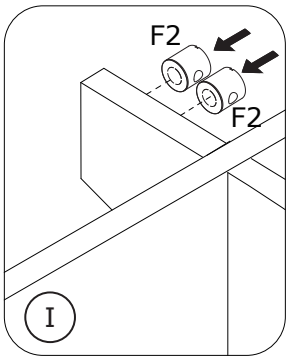
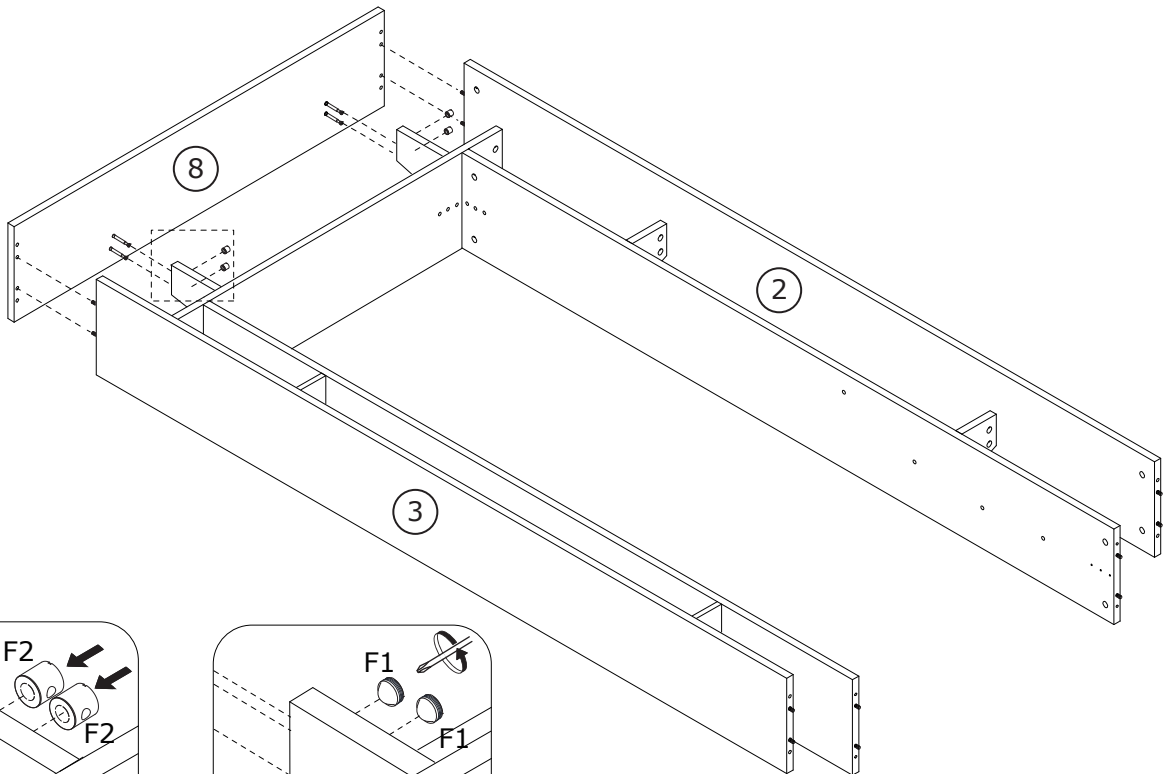
-  (D)x2pcs
-  (F₁)x4pcs
-  (F₂)x4pcs

11



(C)x4pcs

12

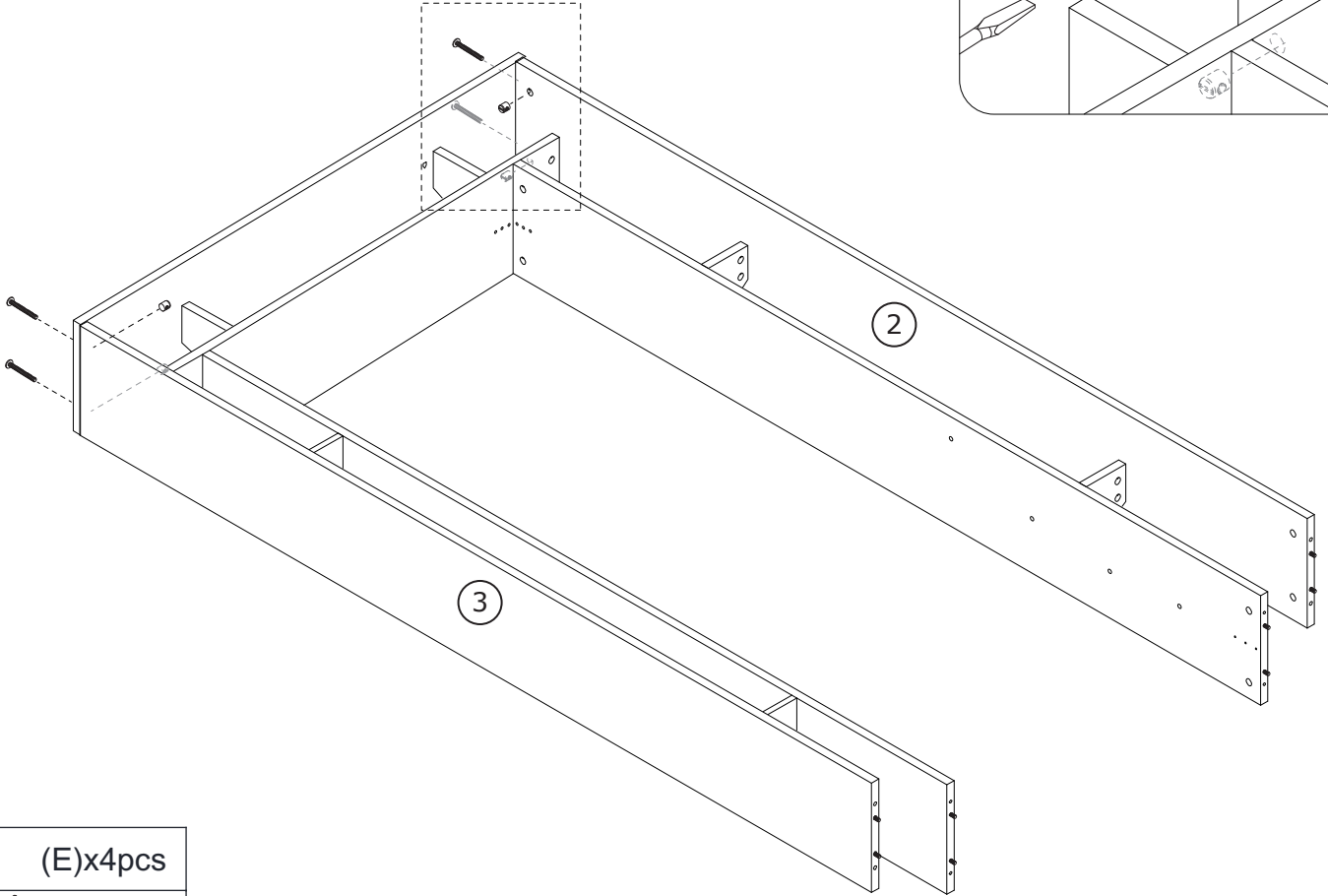
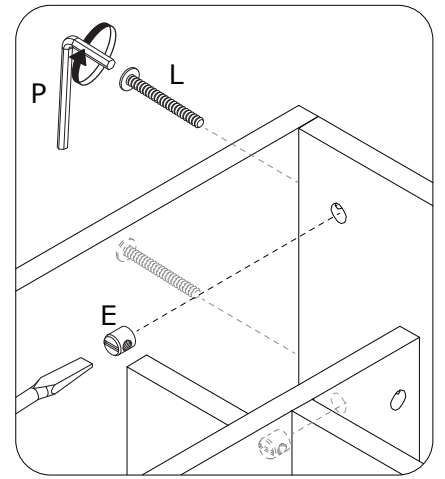
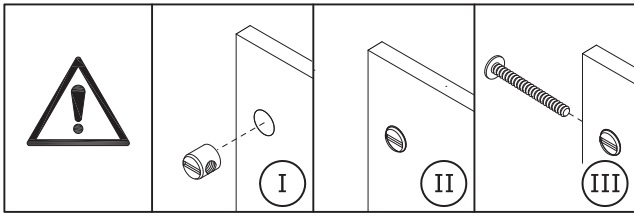


(F₁)x4pcs



(F₂)x4pcs

13

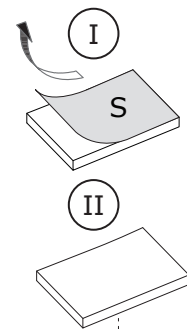
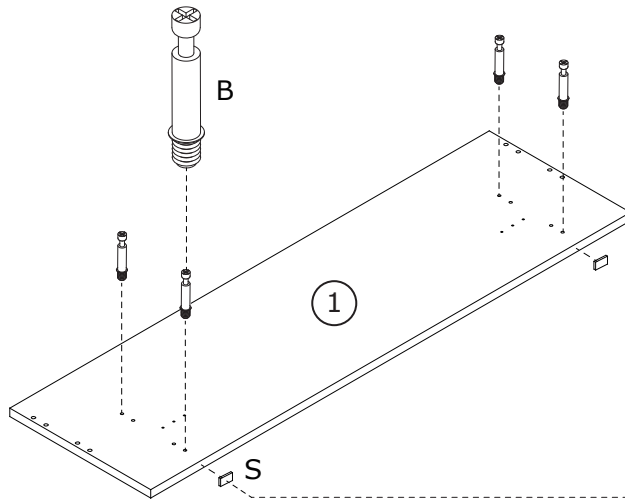


(E)x4pcs

(L)x4pcs

(P)x1pc

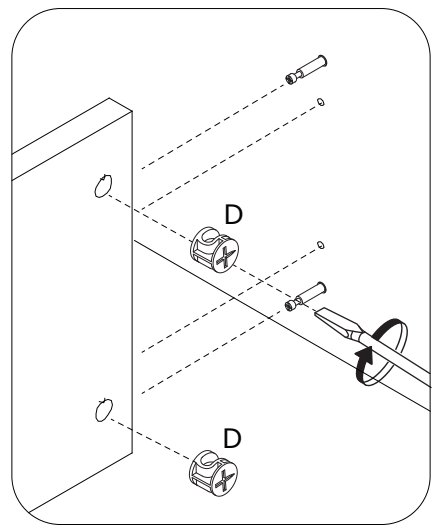
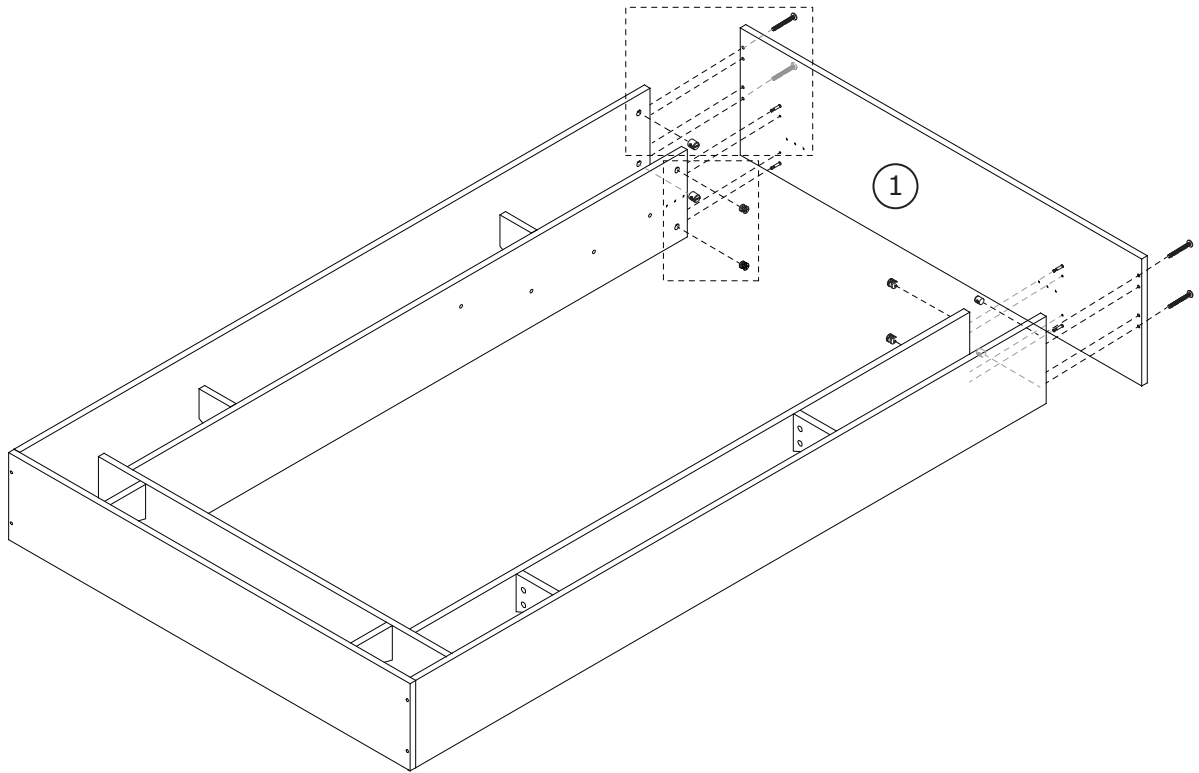
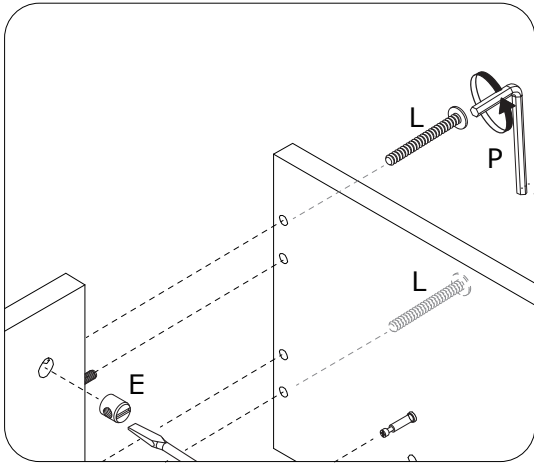
14



(B)x4pcs

(S)x2pcs

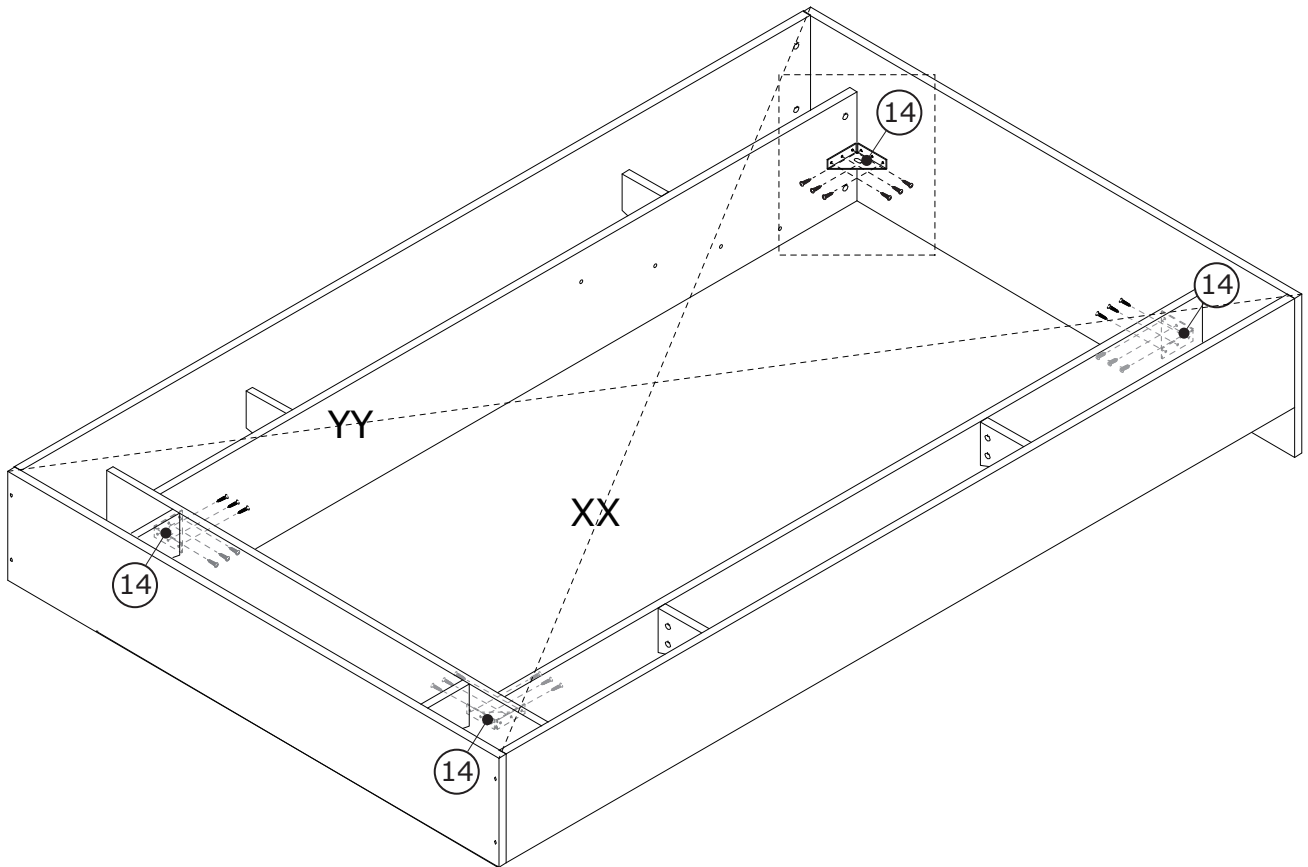
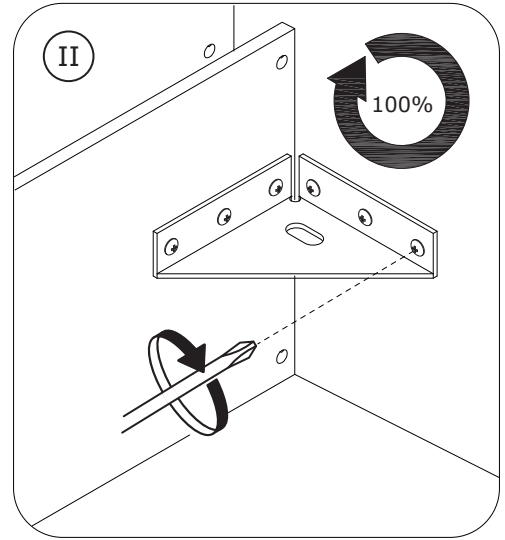
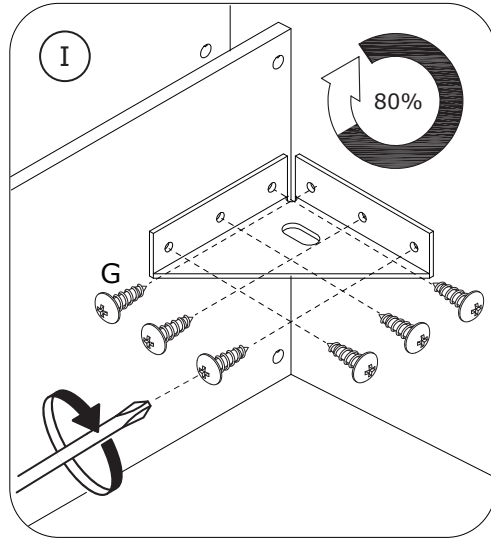
15



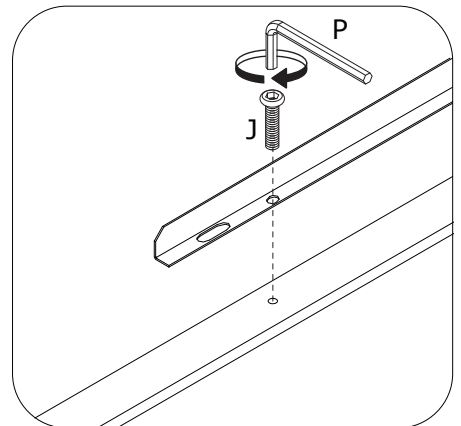
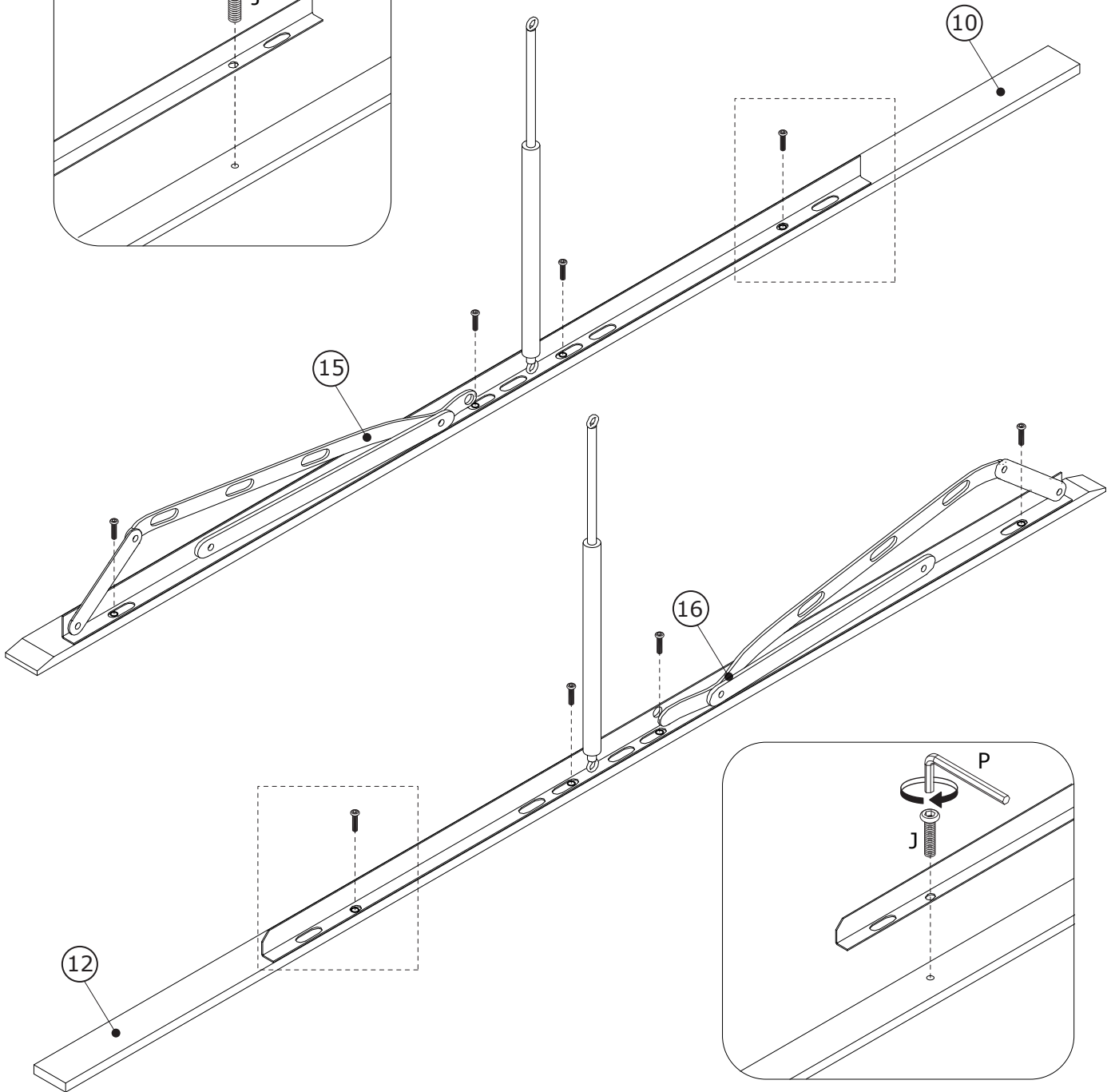
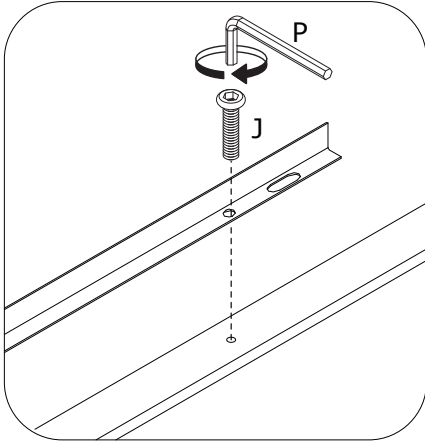
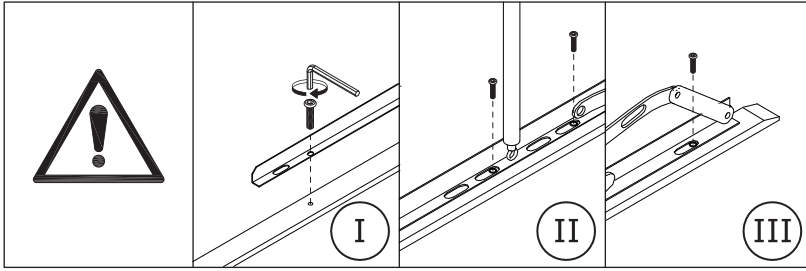
- | | |
|--|----------|
| | (D)x4pcs |
| | (E)x4pcs |
| | (L)x4pcs |
| | (P)x1pc |





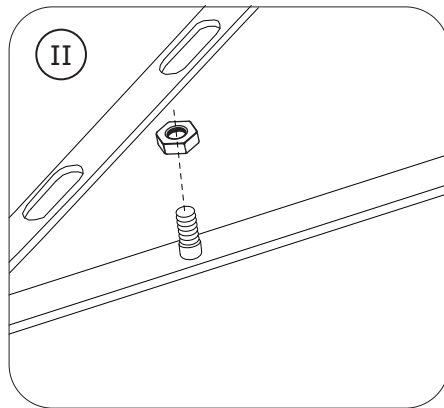
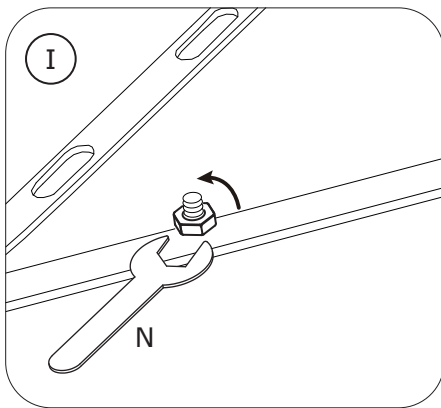
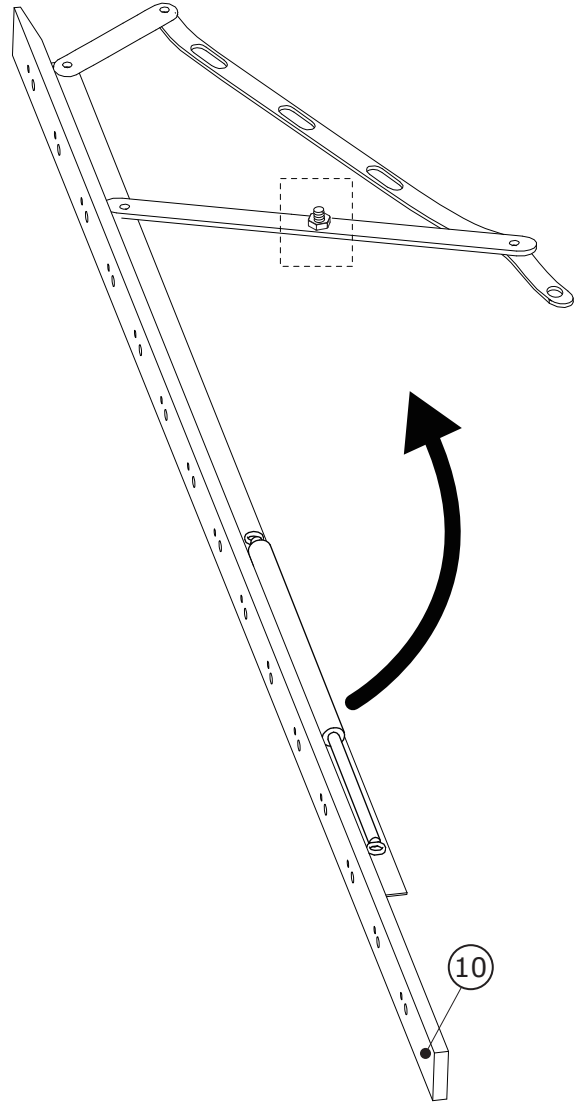
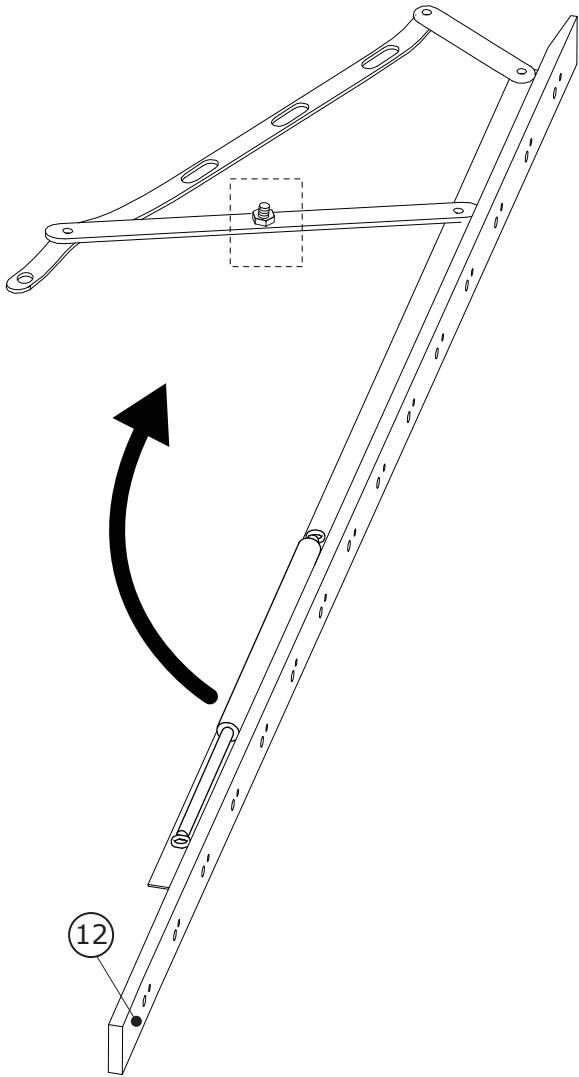
XX = YY ≡ 90°



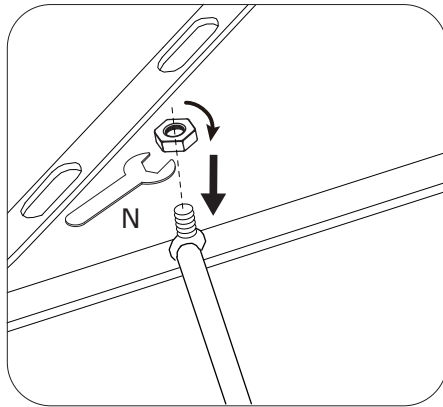
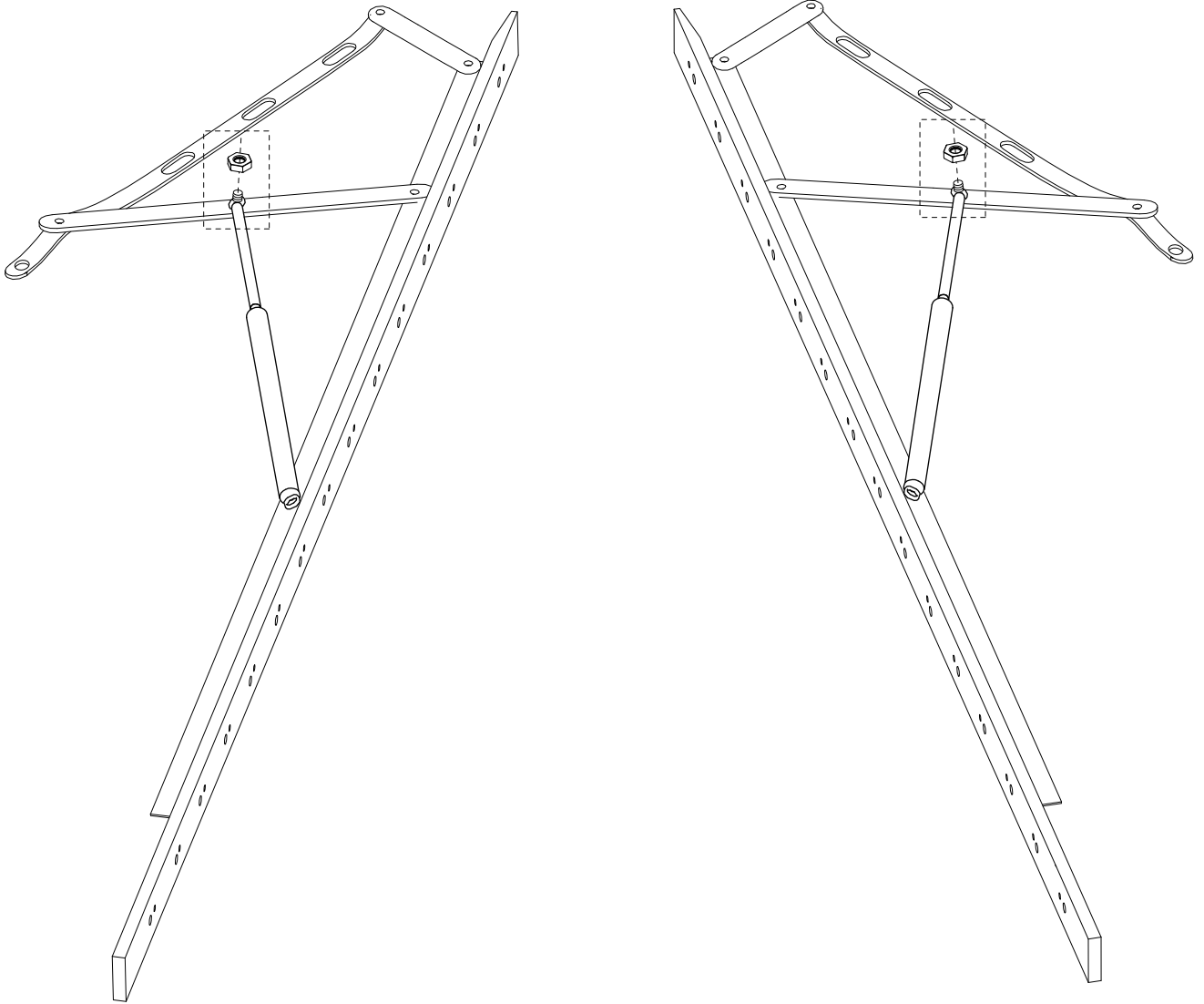
(G)x24pcs



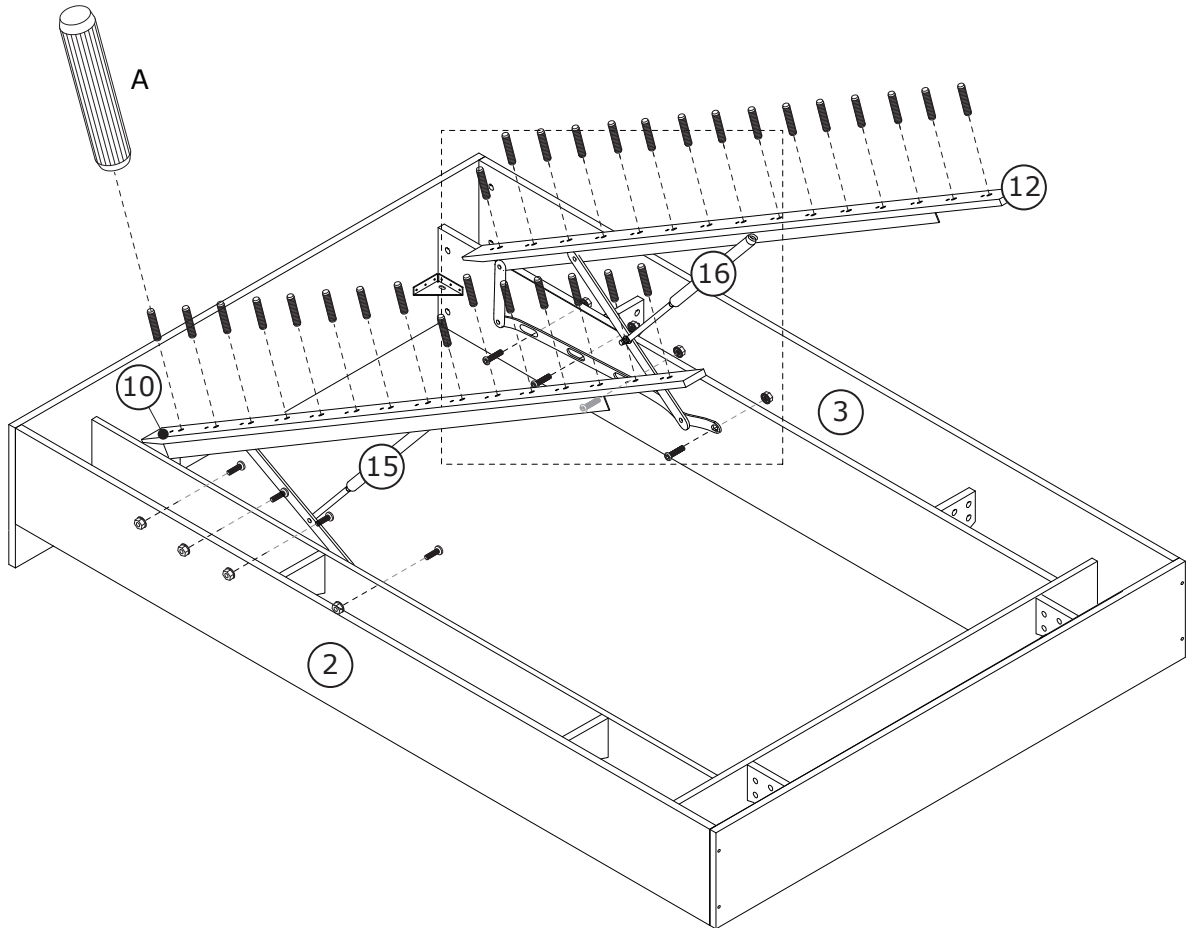
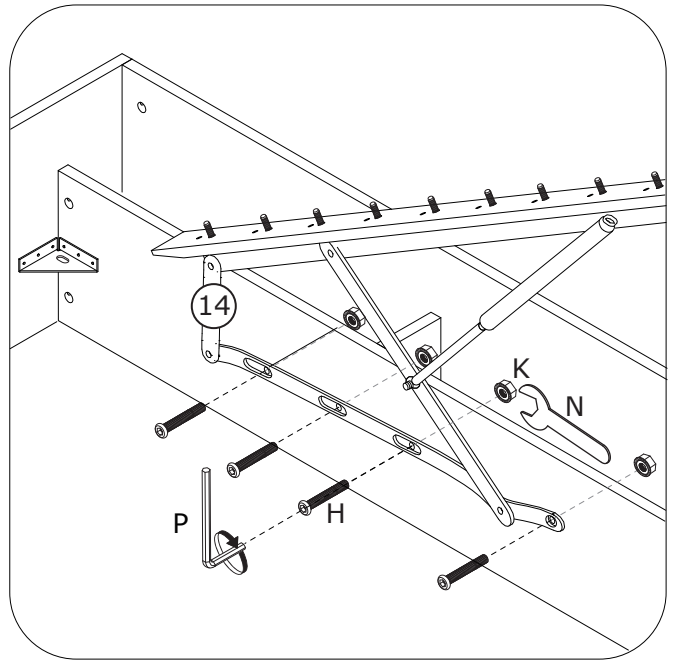
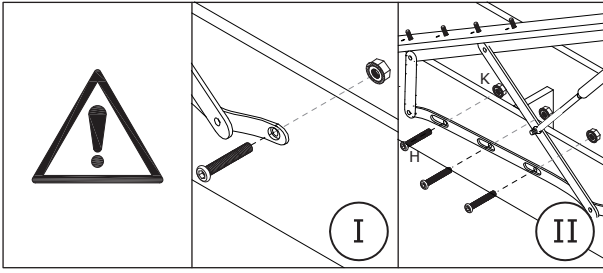
-  (J)x8pcs
-  (P)x1pc

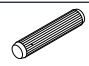



(N)x1pc




(N)x1pc



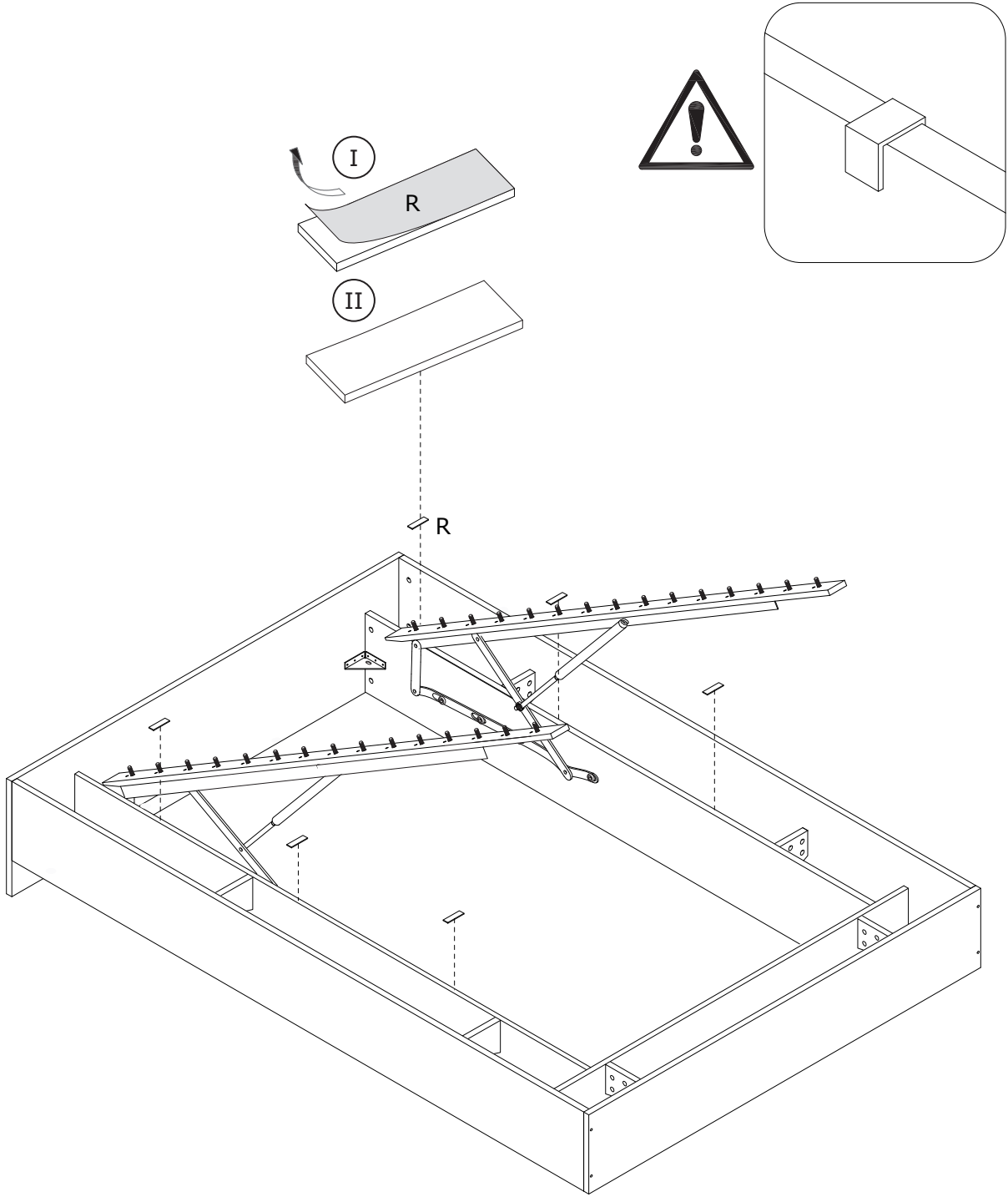
 (A)x30pcs

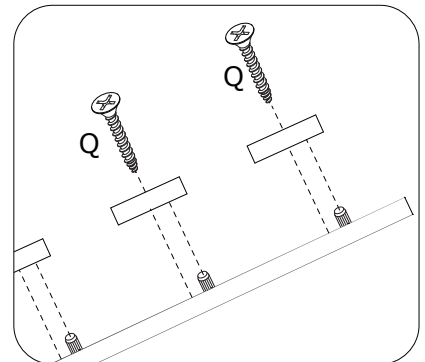
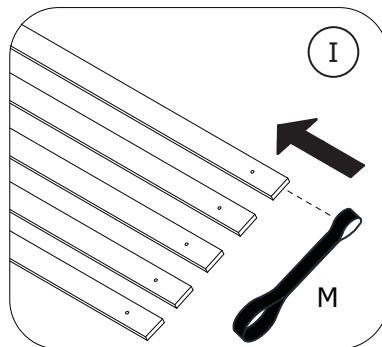
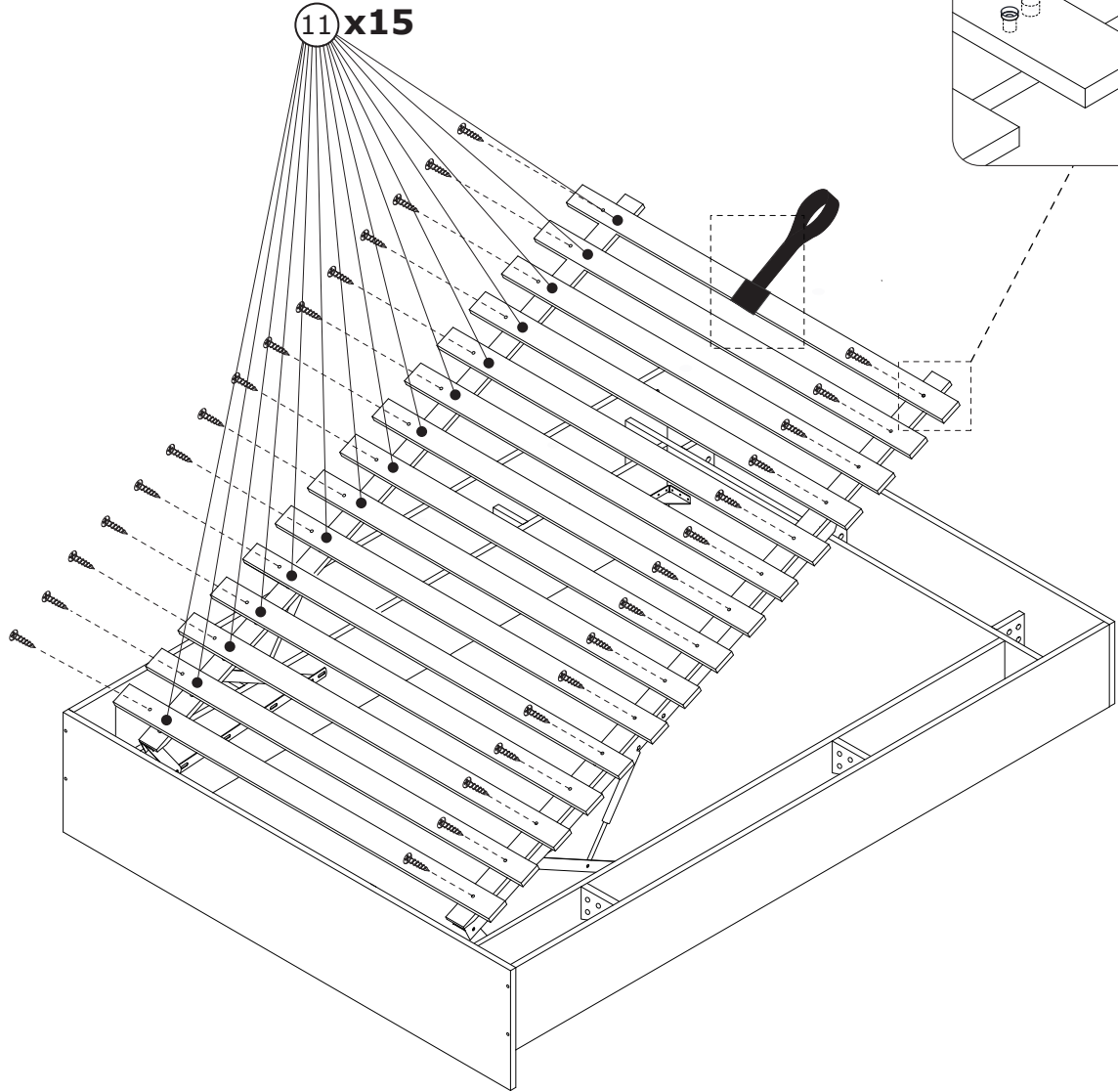
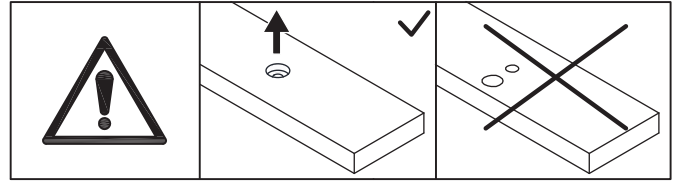
 (H)x8pcs

 (K)x8pcs

 (N)x1pc

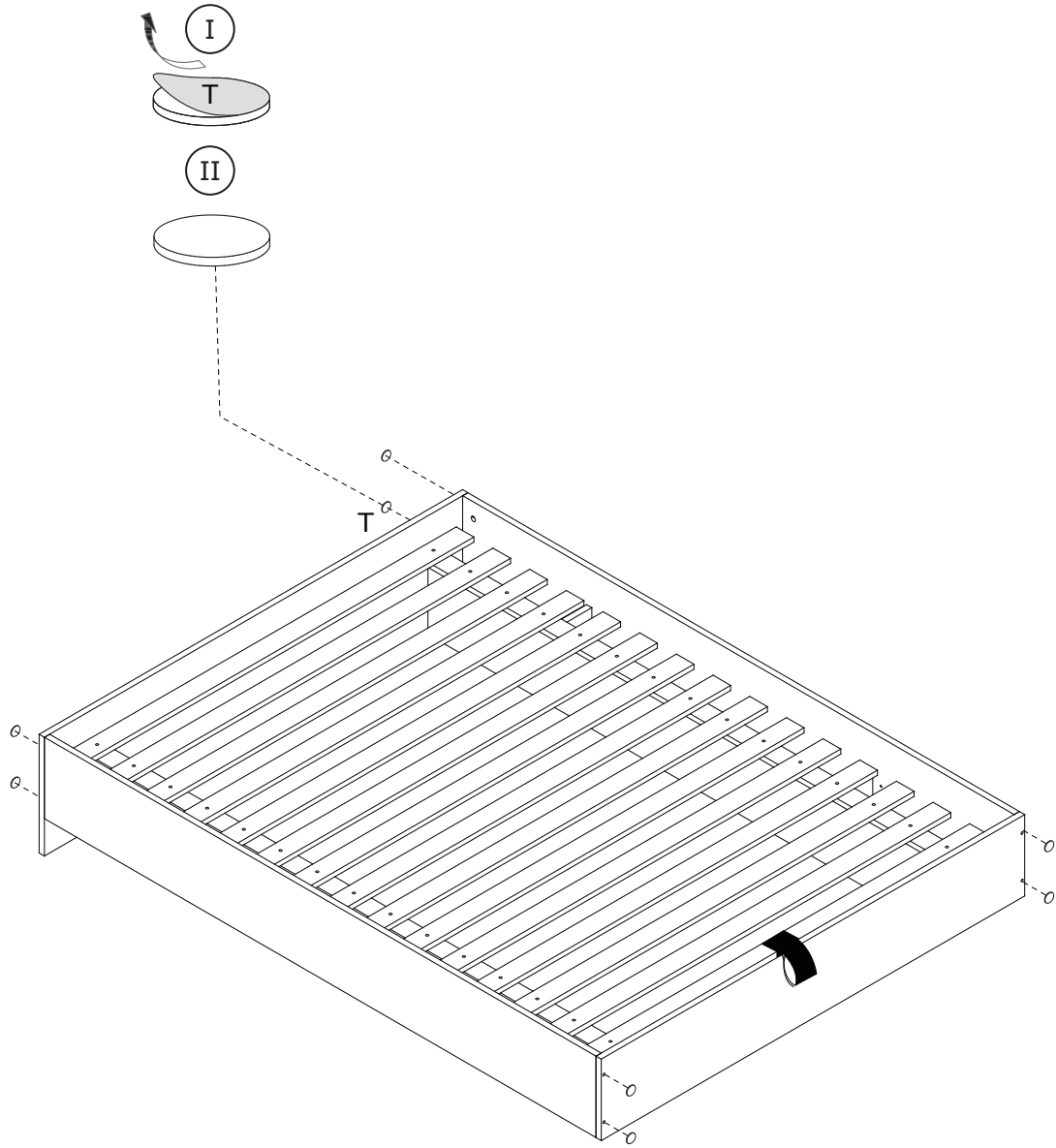
 (P)x1pc

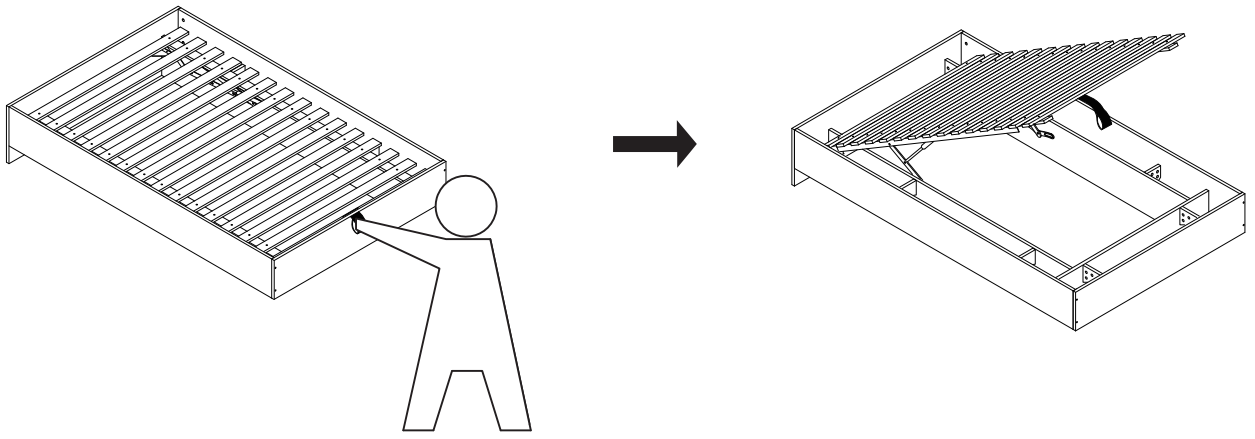
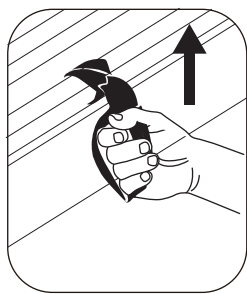
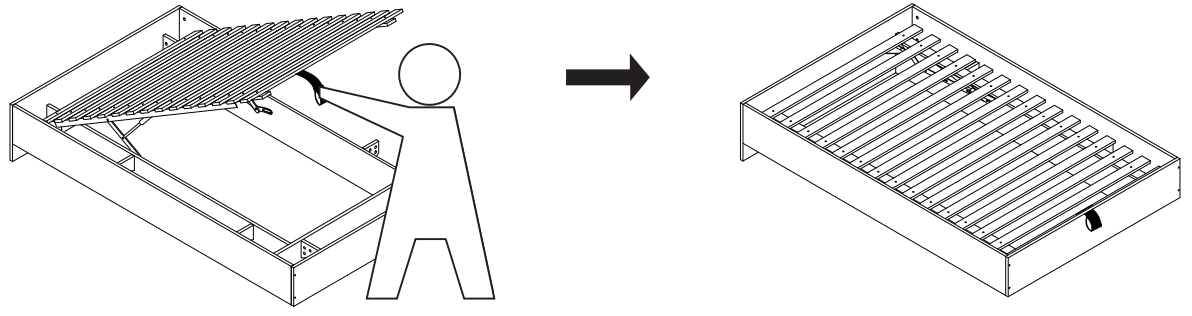


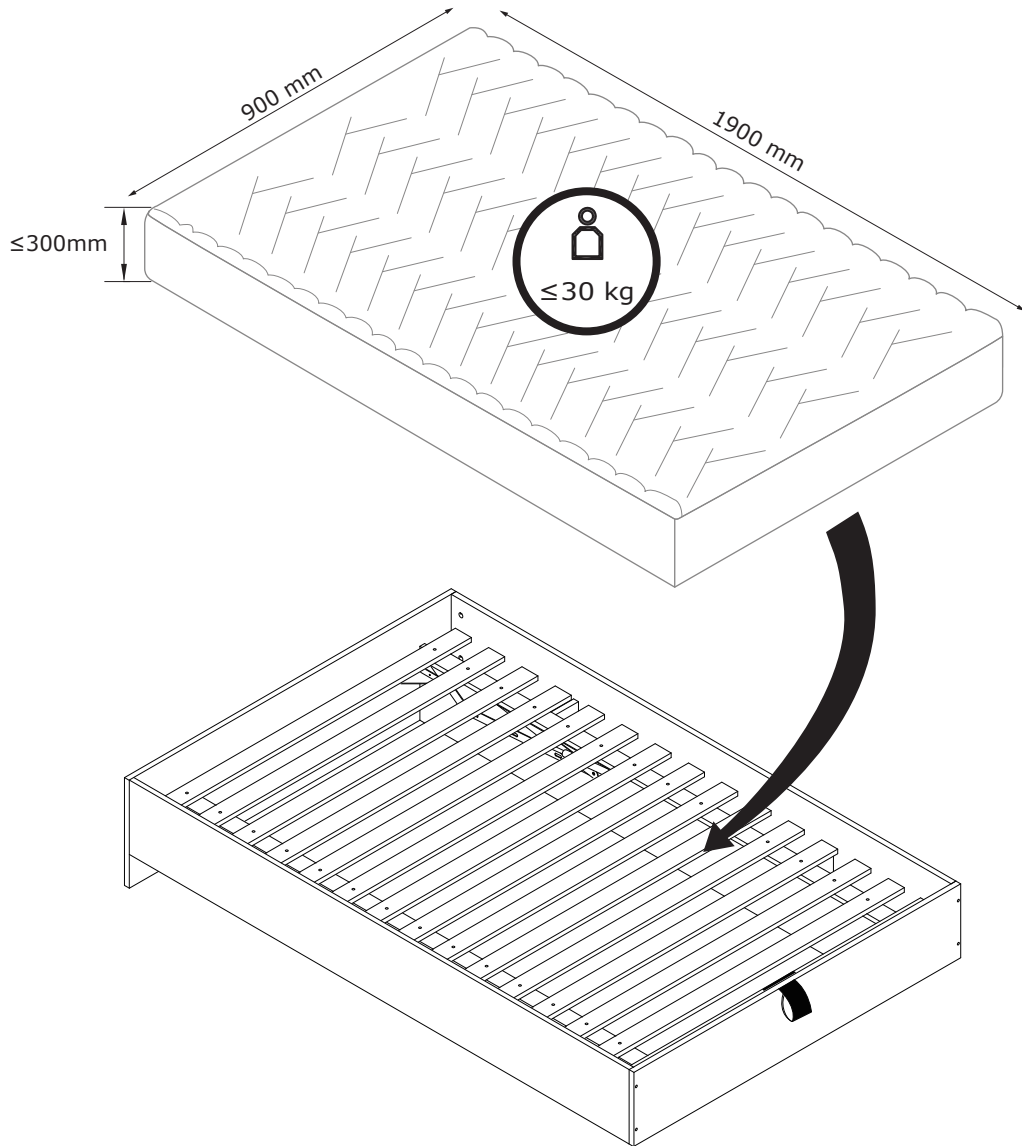


(M)x1pc

(Q)x30pcs







IMPORTANT - READ CAREFULLY - RETAIN FOR FUTURE REFERENCE

Safety Information

All assembly fixings should be tightened properly and care should be taken that no fittings are loose. Regular tightening of the bolts is recommended to extend the lifespan of the product. Please follow all the instructions when assembling the product and do not use power tools when building.

Warning: The product should not be used if any structural part is broken or missing. If any part is missing or broken report it and we will replace, do not attempt to fix the item or purchase additional parts not included with the product; this will invalidate the warranty.

Return Information

If you have any problems with the item just email us at info@noaandnani.co.uk and we can resolve it for you, our technical team will be able to assist in helping. If you have any parts that are damaged we can replace them for you. If you do need to return the item for some reason just email and request an RMA number.

Assembly Information

We understand that self assembly furniture can be a pain but we try and make it as easy as possible for anyone to build, if you have found a problem with the assembly of the product or with the assembly instructions or you have comments on how we would improve them, we would love to hear from you. Just contact us either by email at productadvice@noaandnani.co.uk or via Live Chat on our website noaandnani.co.uk

Related Items

We have a matching range of items that compliment this product, just head to noaandnani.co.uk for the full selection.

Any Questions or Issues Scan here for help



NÖA & NANI
FAMILY FURNITURE

