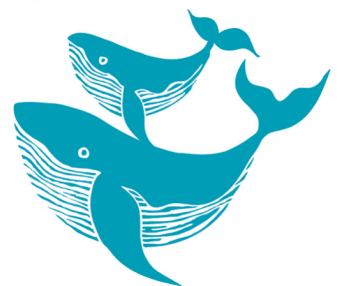


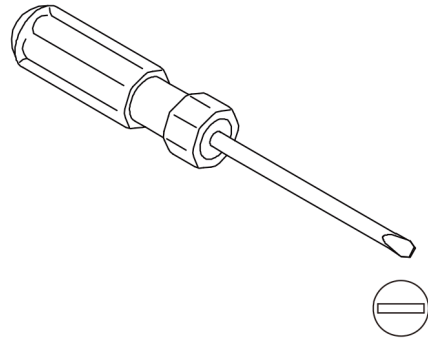
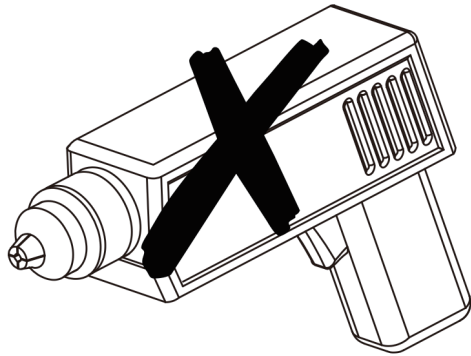
# NÖA & NANI

FAMILY FURNITURE



## KOPING PLATFORM BED DOUBLE ASSEMBLY INSTRUCTIONS

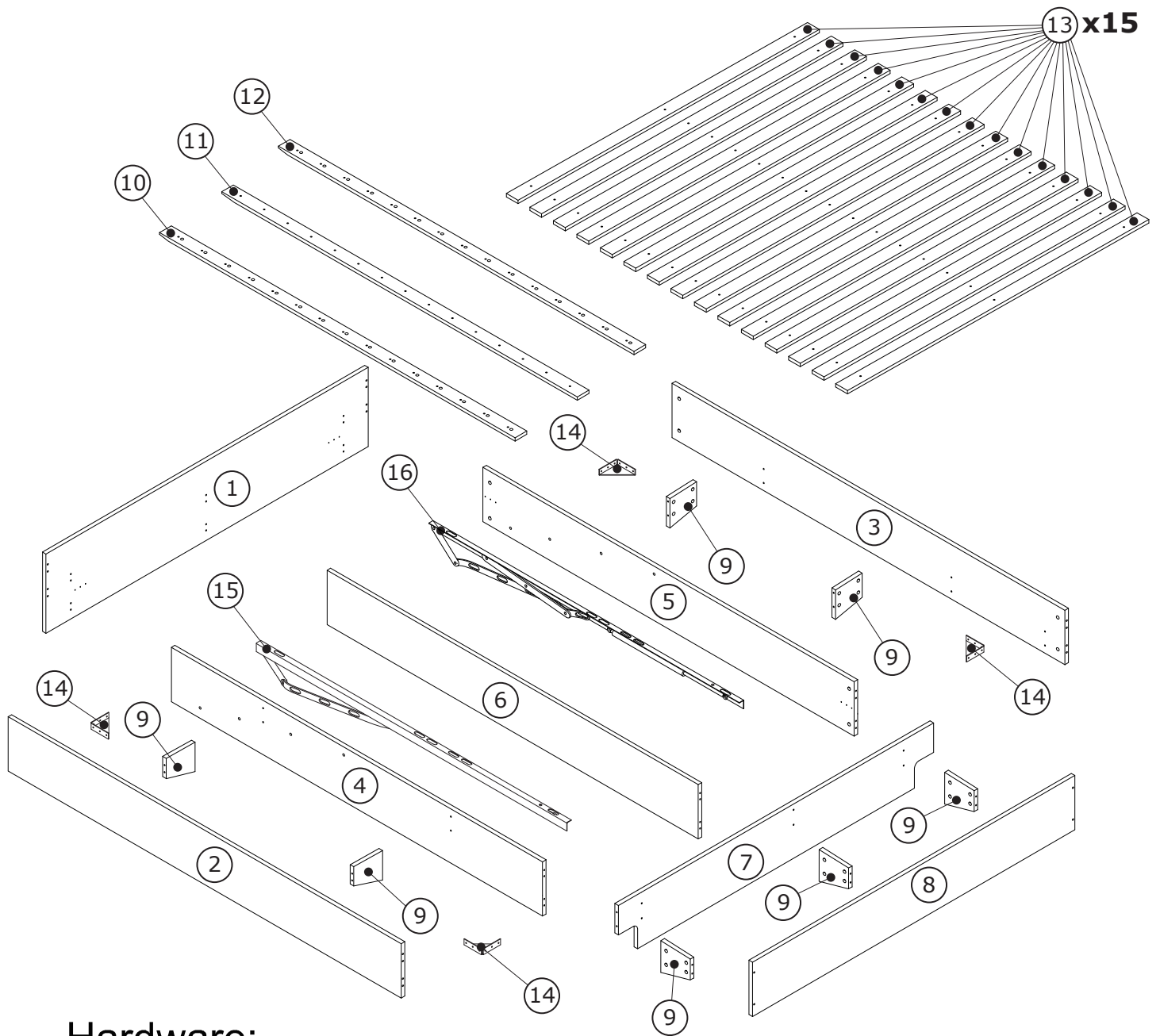
ID250268



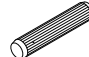



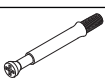





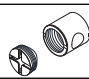


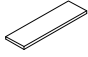

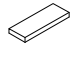


**WARNING**



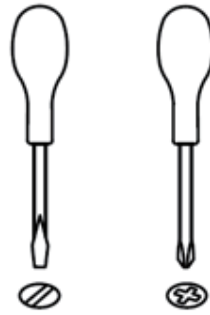
**DO NOT USE  
POWERTOOLS TO  
ASSEMBLE THIS  
PRODUCT**



### Hardware:

Part	Description	Quantity	Part	Description	Quantity
A	 8x30mm	50pcs	K	 8/13mm	8pcs
B	 6x35mm	16pcs	L	 8x70mm	8pcs
C	 6x50mm	28pcs	M	 500x25mm	1pc
D	 15x12mm	16pcs	N	 13mm	1pc
E	 12x14mm	8pcs	P	 M5mm	1pc
F	 15x14mm	28pcs	Q	 4x30mm	45pcs
G	 4x14mm	24pcs	R	 80x20x2mm	6pcs
H	 8x30mm	8pcs	S	 40x15x3mm	15pcs
J	 8x20mm	8pcs	T	 20mm	8pcs

## Tools Required



**CAUTION:** Do not use tools other than those required, as this can damage your new item.

## NOTE

- Please check you have all hardware before assembling.
- If you are missing any hardware, please contact the store of purchase.
- Please ensure you have the name of the item, required hardware part and quantity.
- Please retain your receipt as proof of purchase to validate your warranty.

## CAUTION

- Do not tighten screws before all screws are in the right place.
- Do not use this product unless all bolts, screws and knobs are firmly secured.
- Check that all bolts, screws and knobs are securely tightened at least every 4 months.

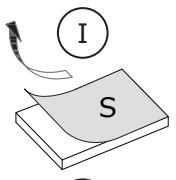
## WARNING

- If parts are missing, broken, damaged or worn stop using the product until all repairs are made using manufacturer authorised parts.
- Failure to follow these warnings could result in serious injury.

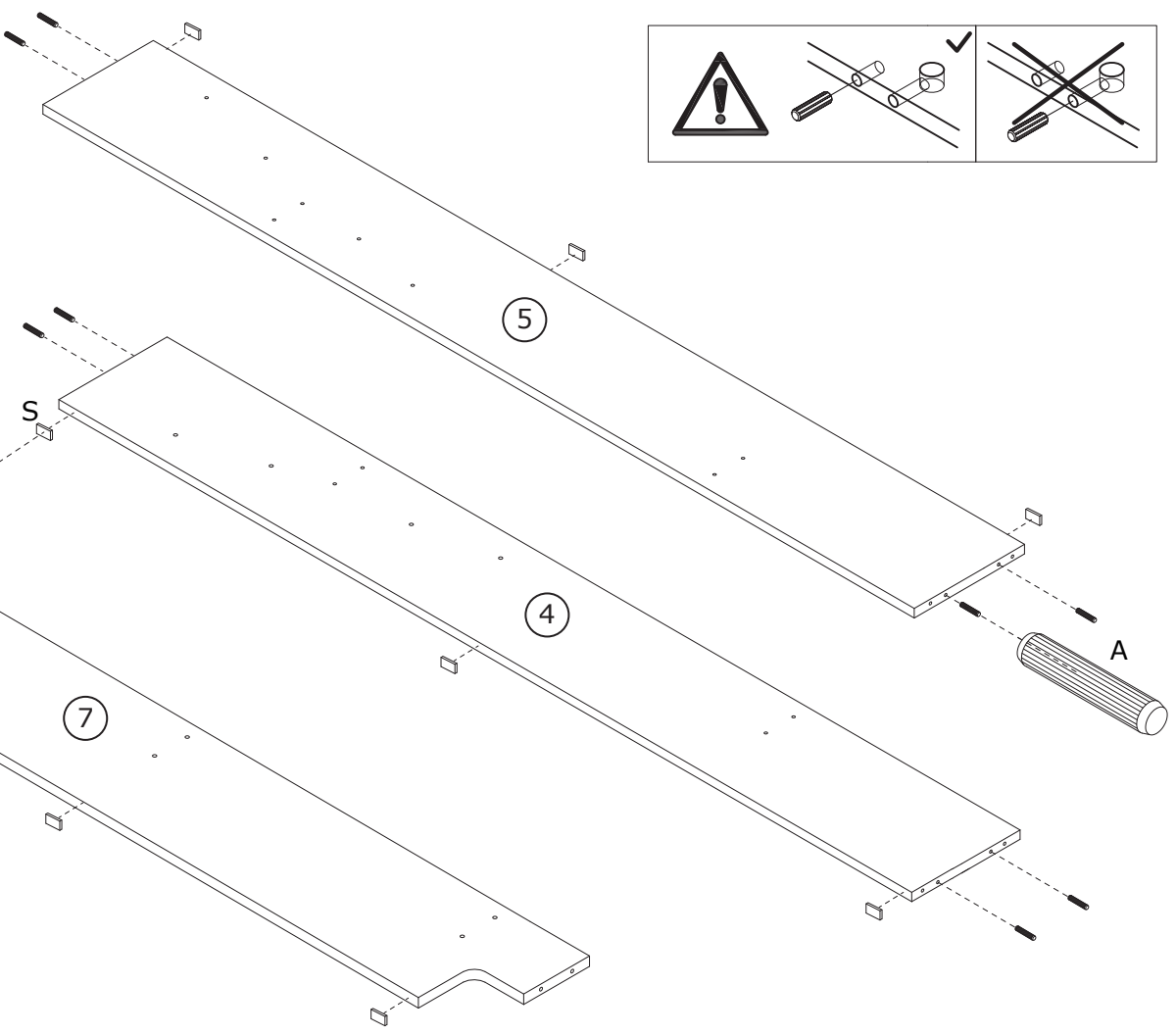
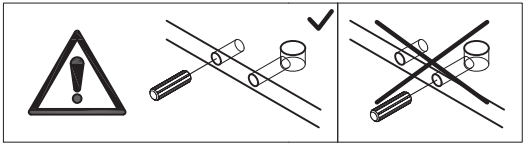
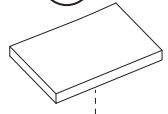
## DANGER

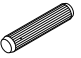
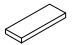
- CHILDREN MUST BE SUPERVISED.

1

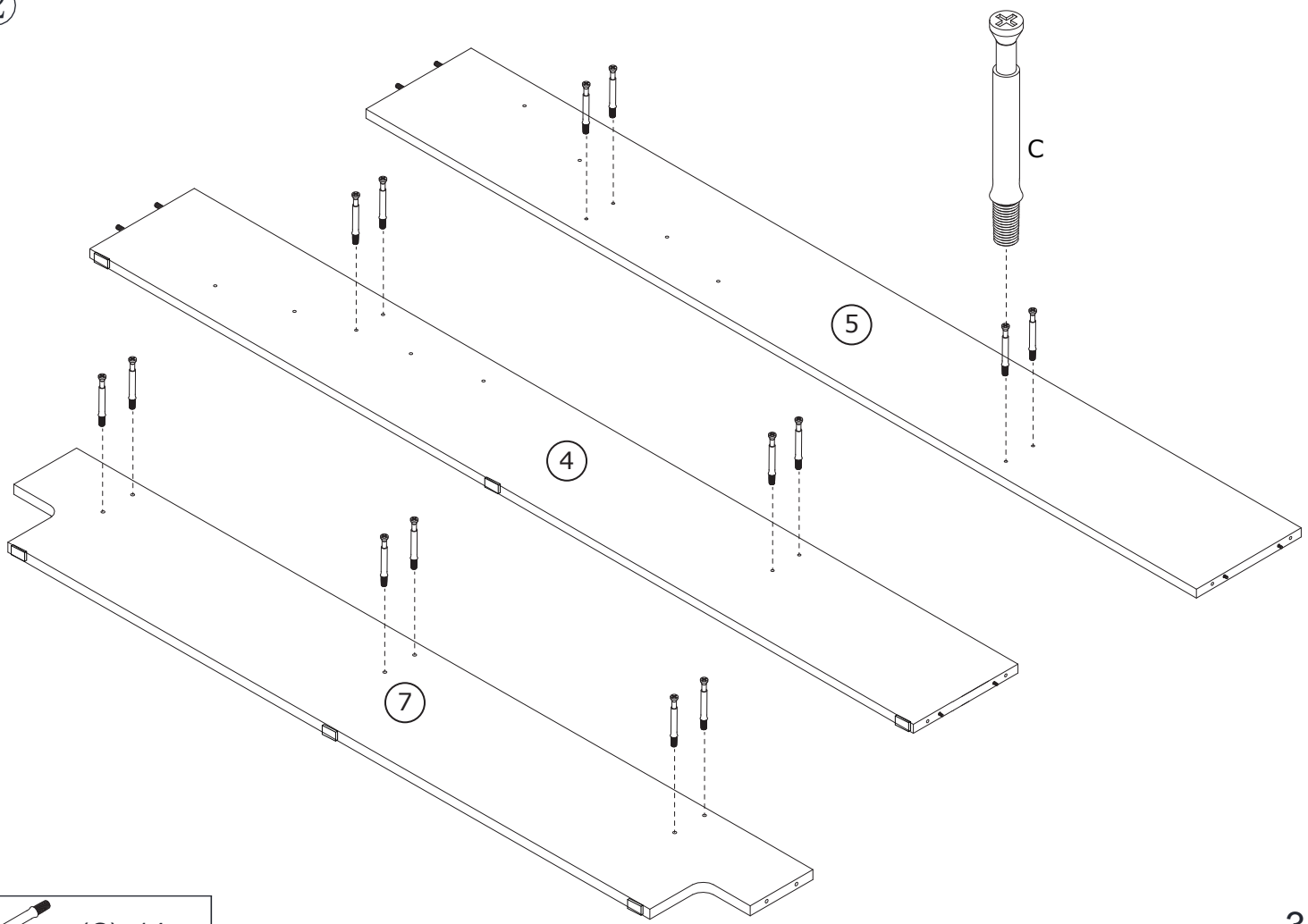



II



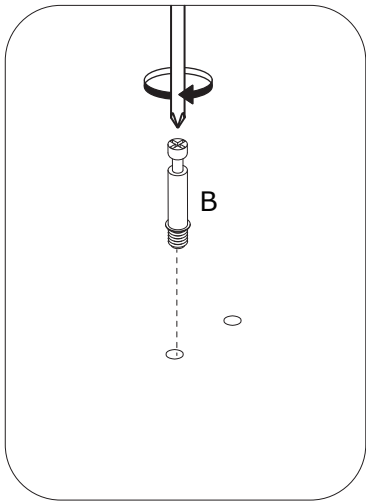
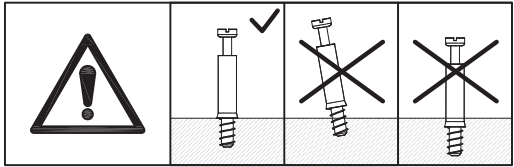
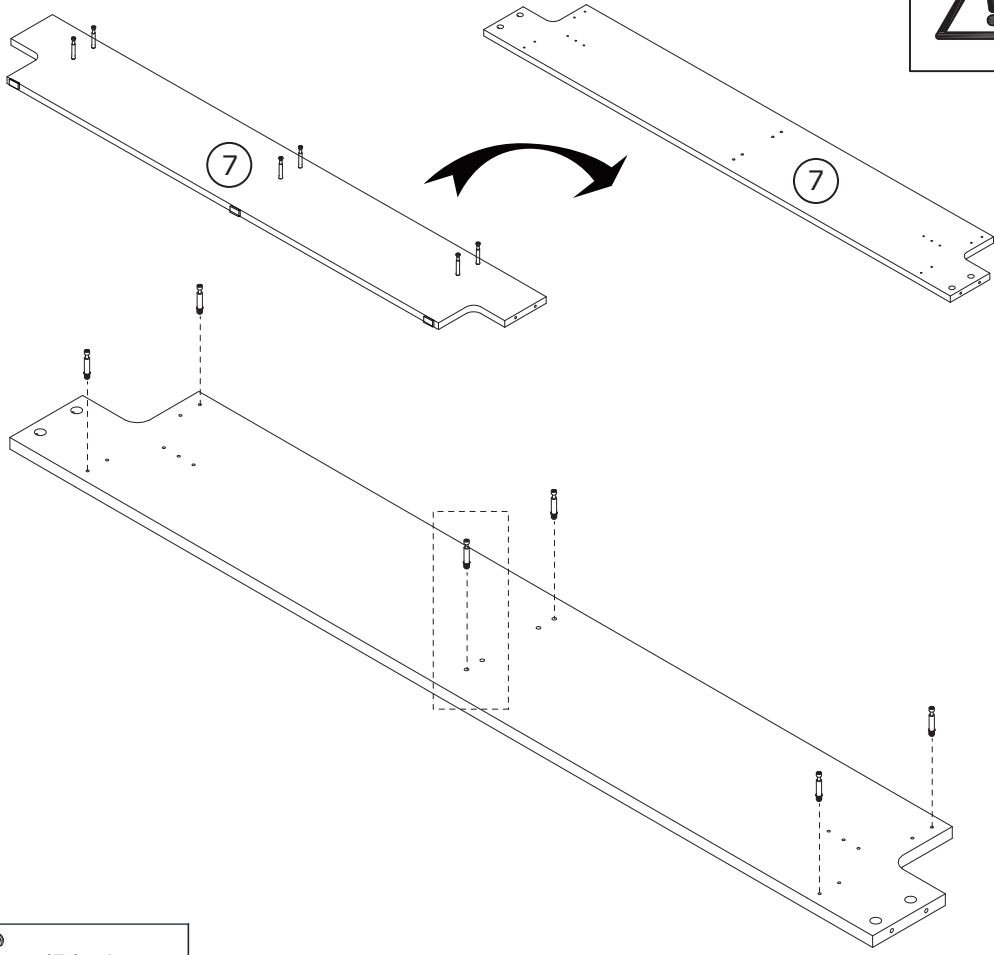
-  (A)x8pcs
-  (S)x9pcs

2



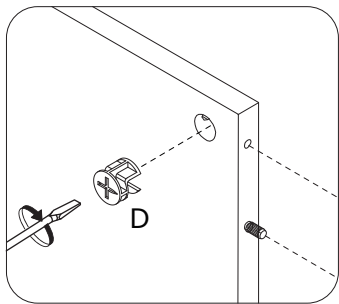
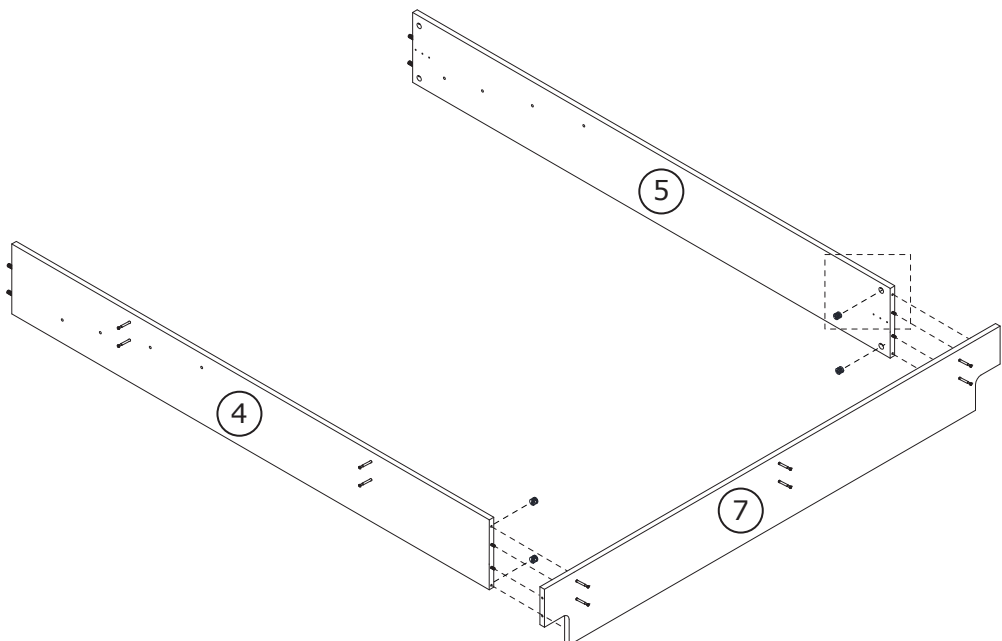
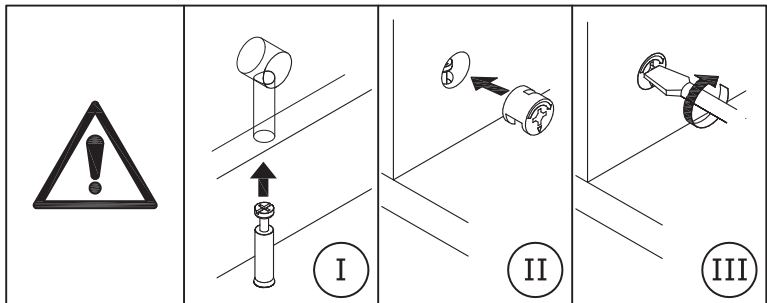
-  (C)x14pcs

3



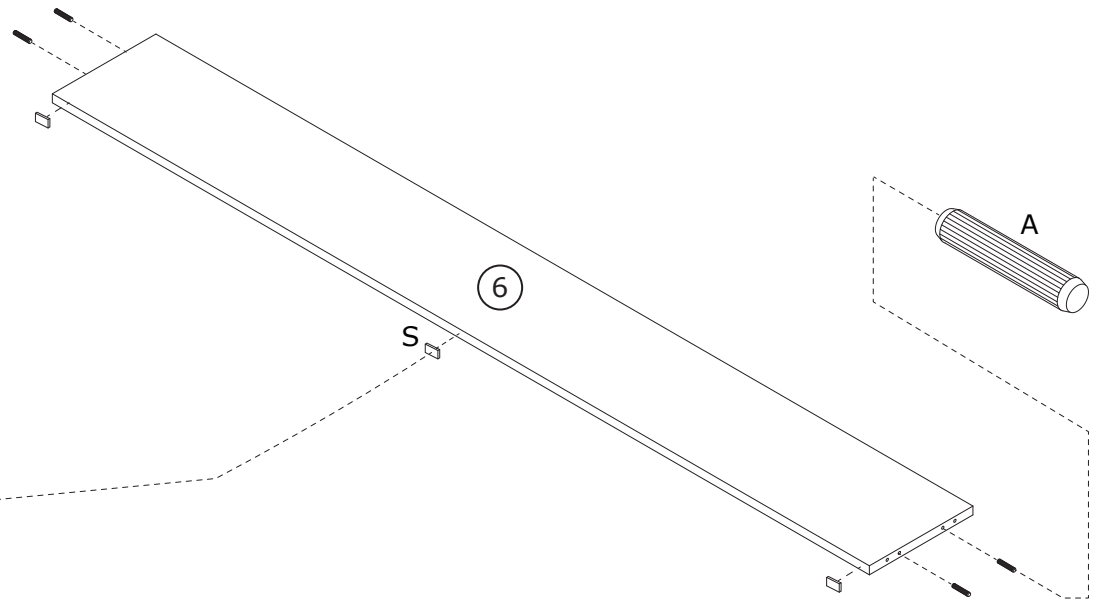
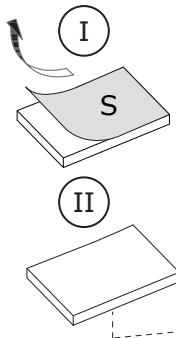
(B)x6pcs

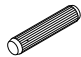
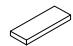
4



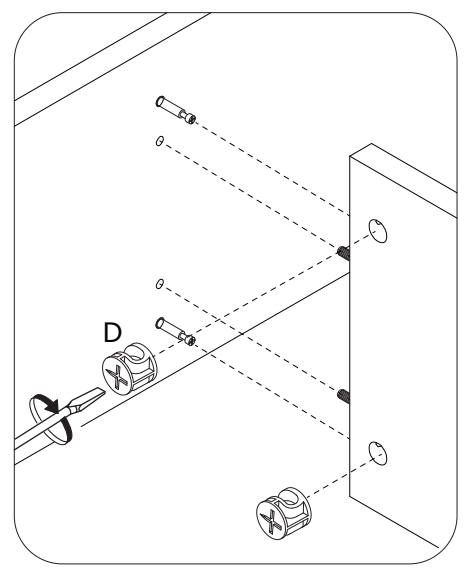
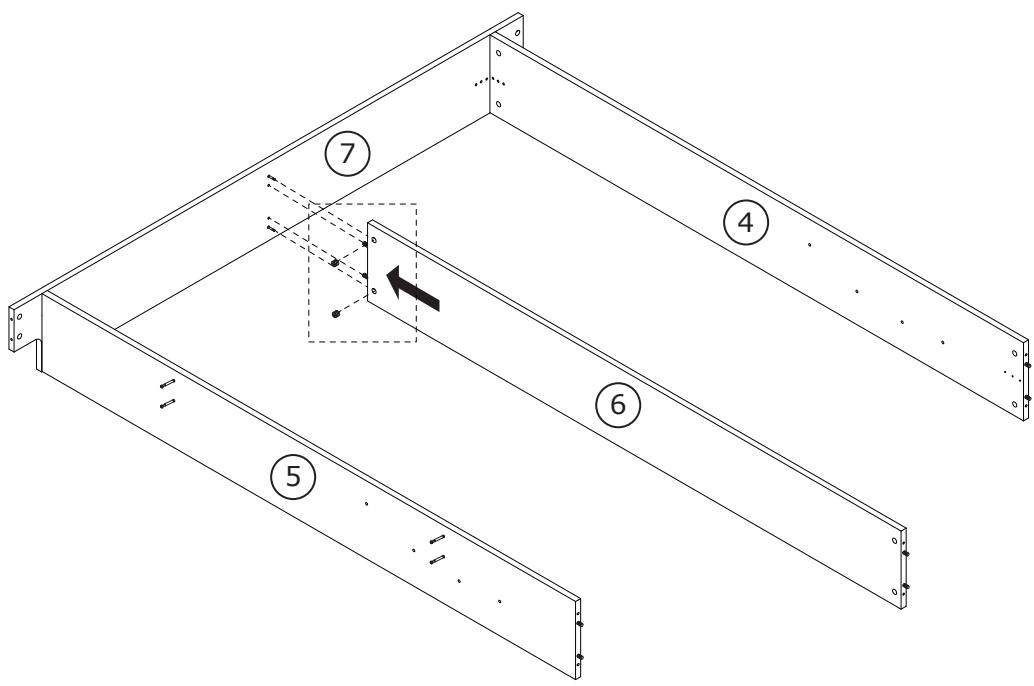
(D)x4pcs


5



-  (A)x4pcs
-  (S)x3pcs

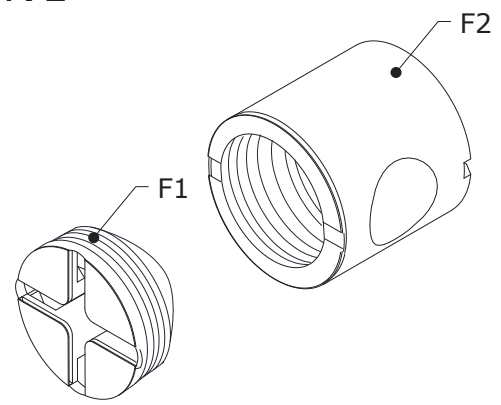
6



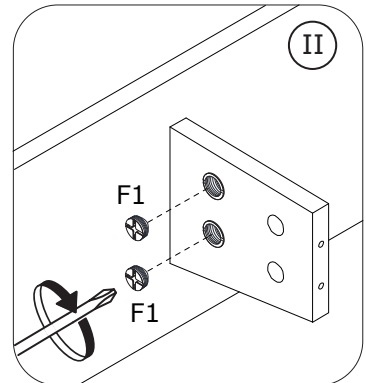
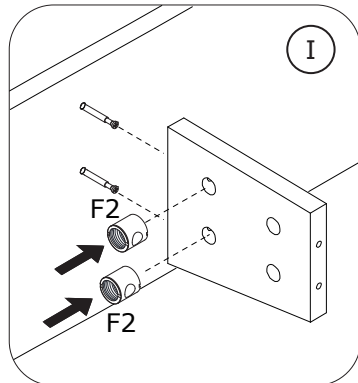
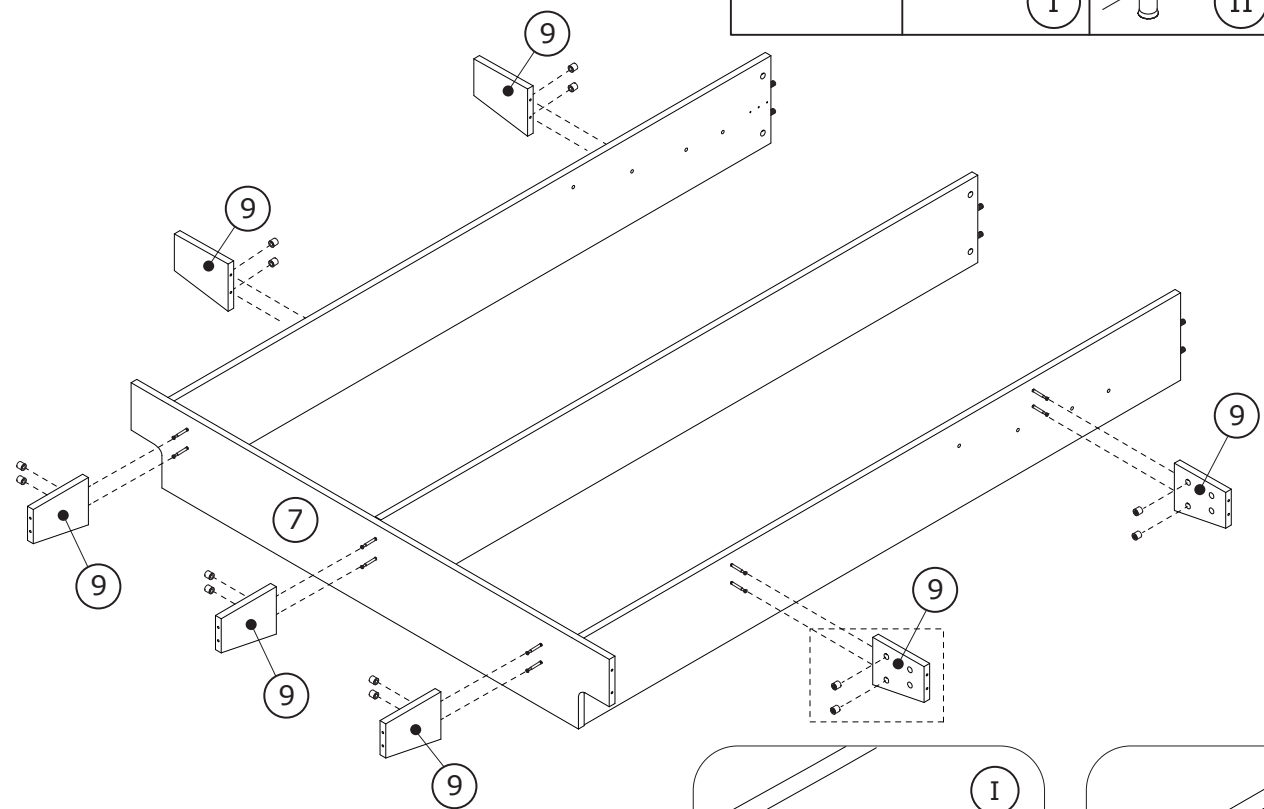
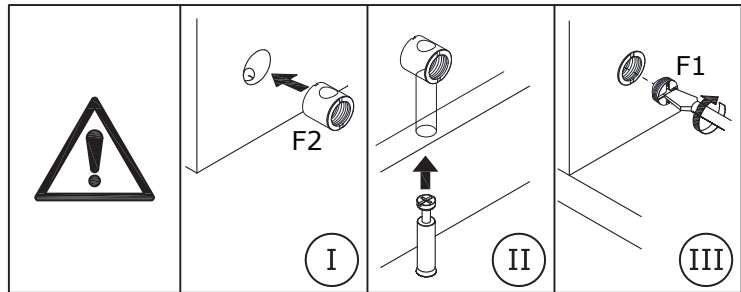
-  (D)x2pcs



7

**F=F1+F2**

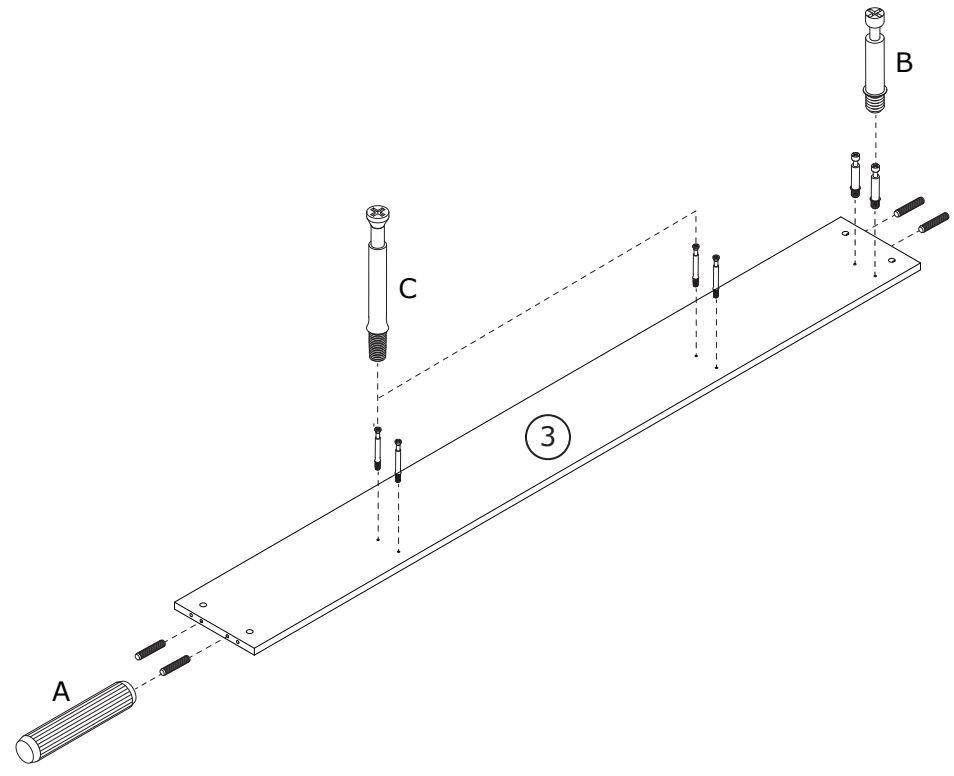





8



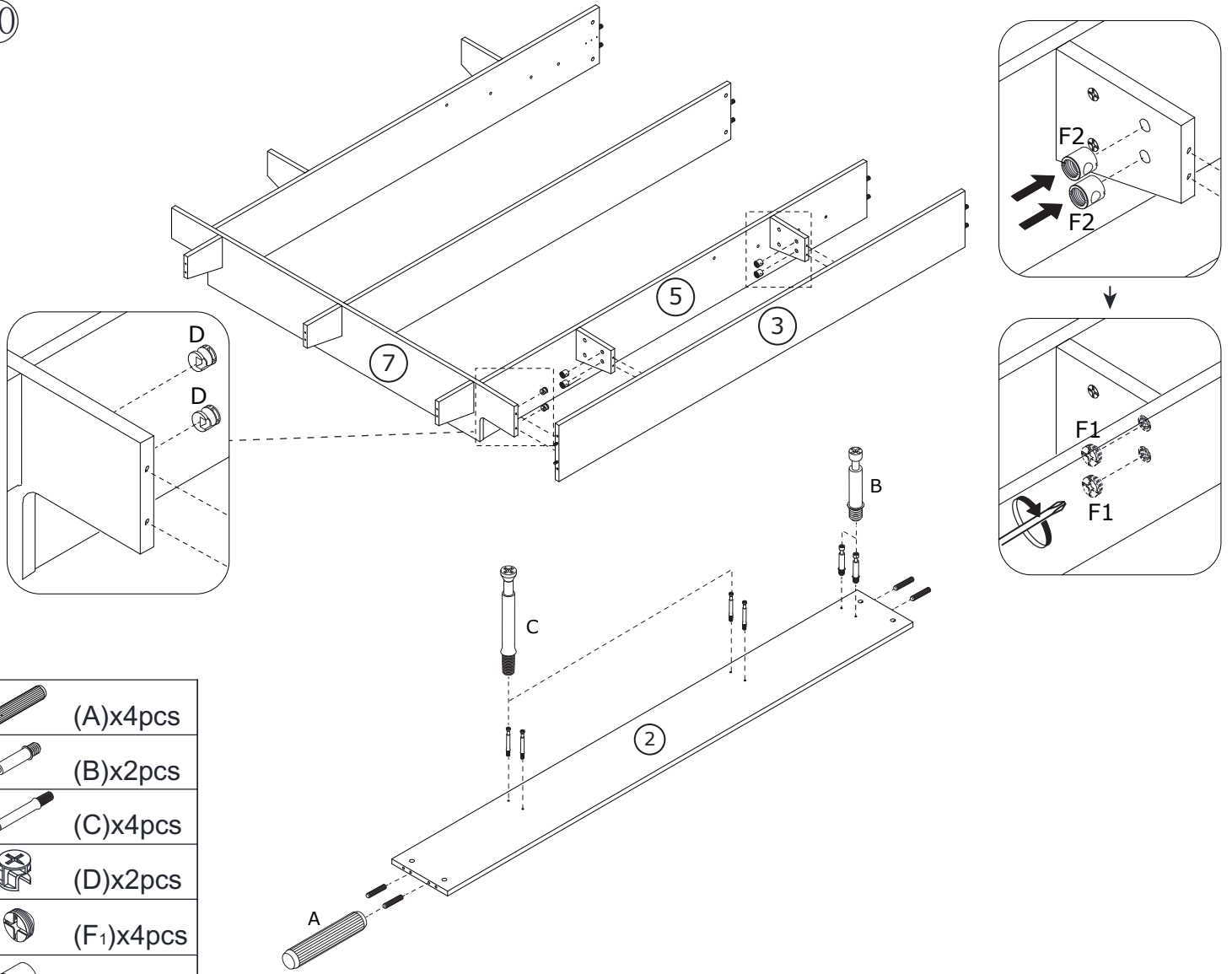
-  (F1)x14pcs
-  (F2)x14pcs

9

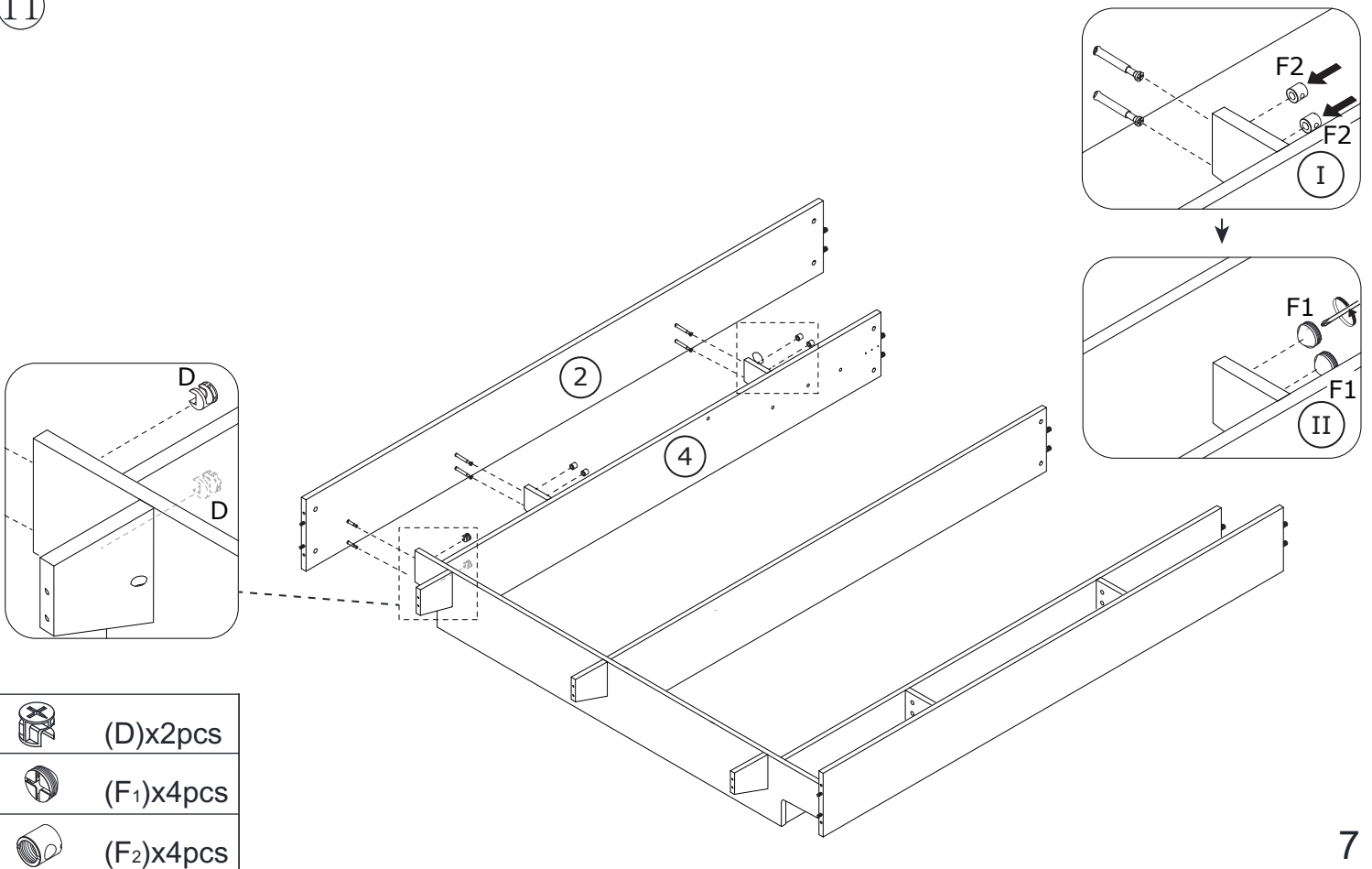


-  (B)x2pcs
-  (A)x4pcs
-  (C)x4pcs

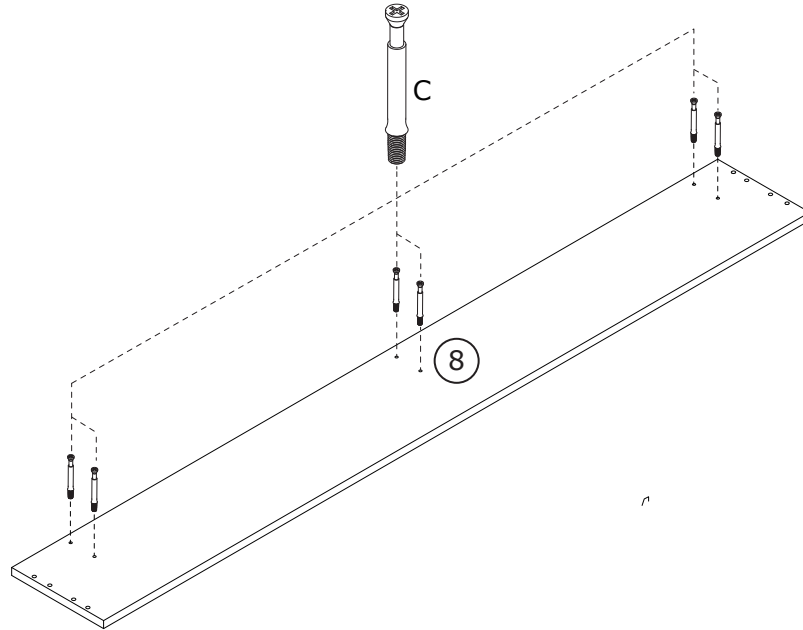
10



11

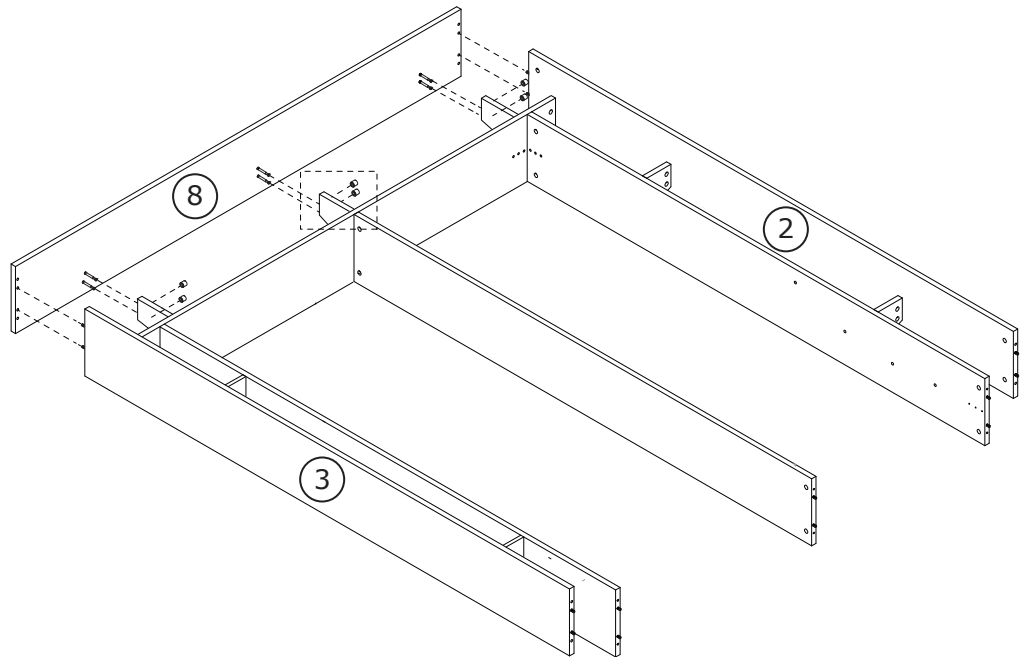
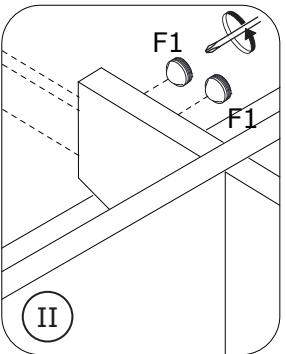
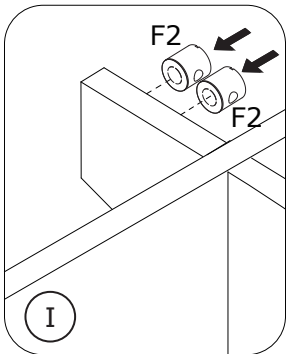


12



(C)x6pcs

13

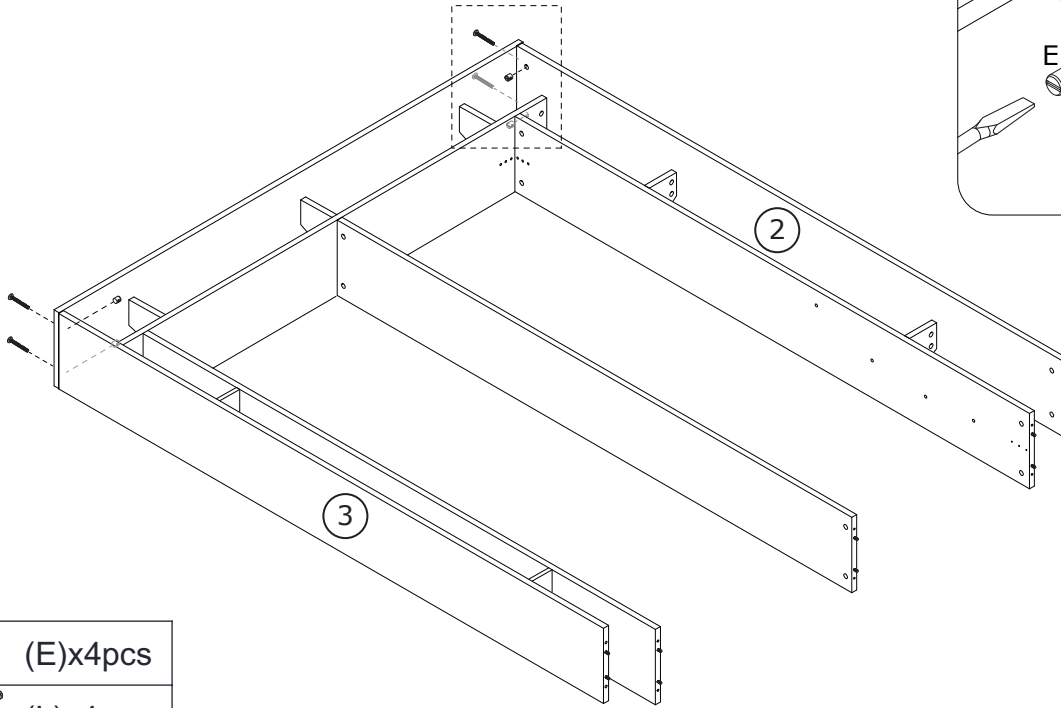
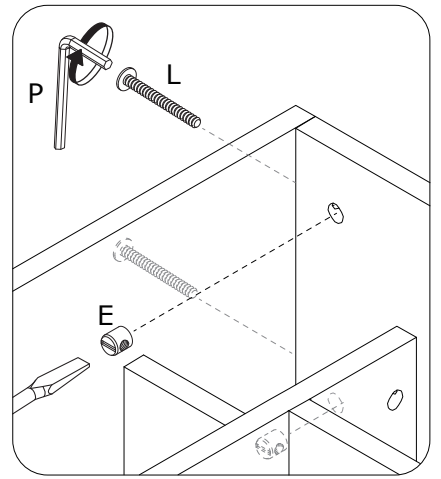
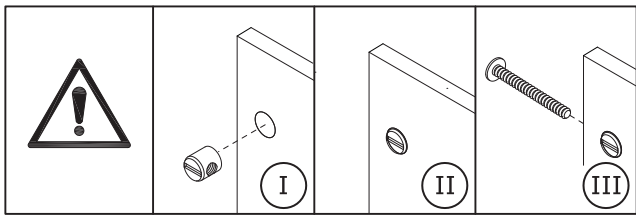


(F<sub>1</sub>)x6pcs



(F<sub>2</sub>)x6pcs

14

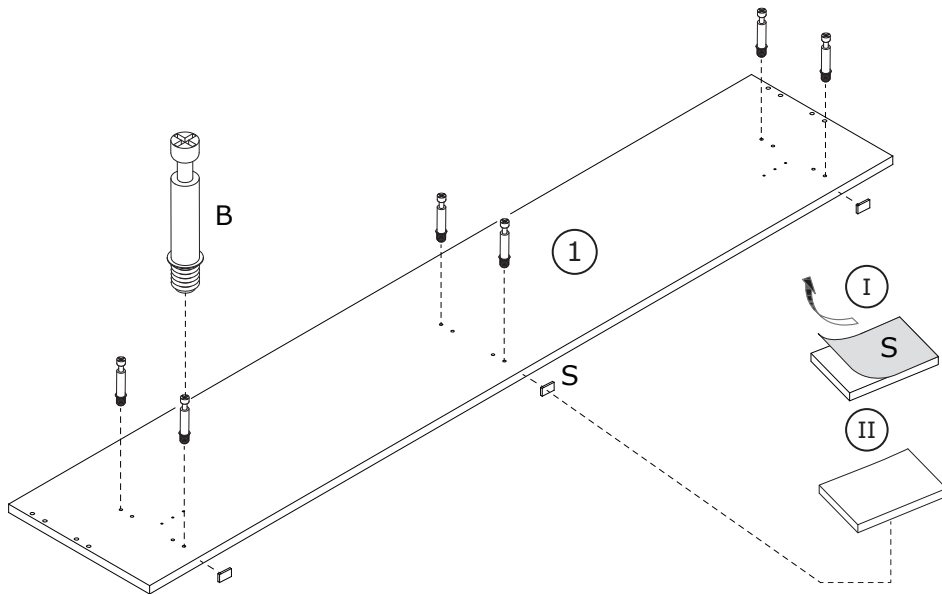


(E)x4pcs

(L)x4pcs

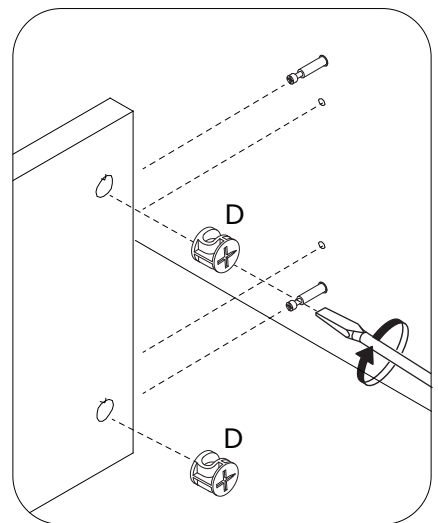
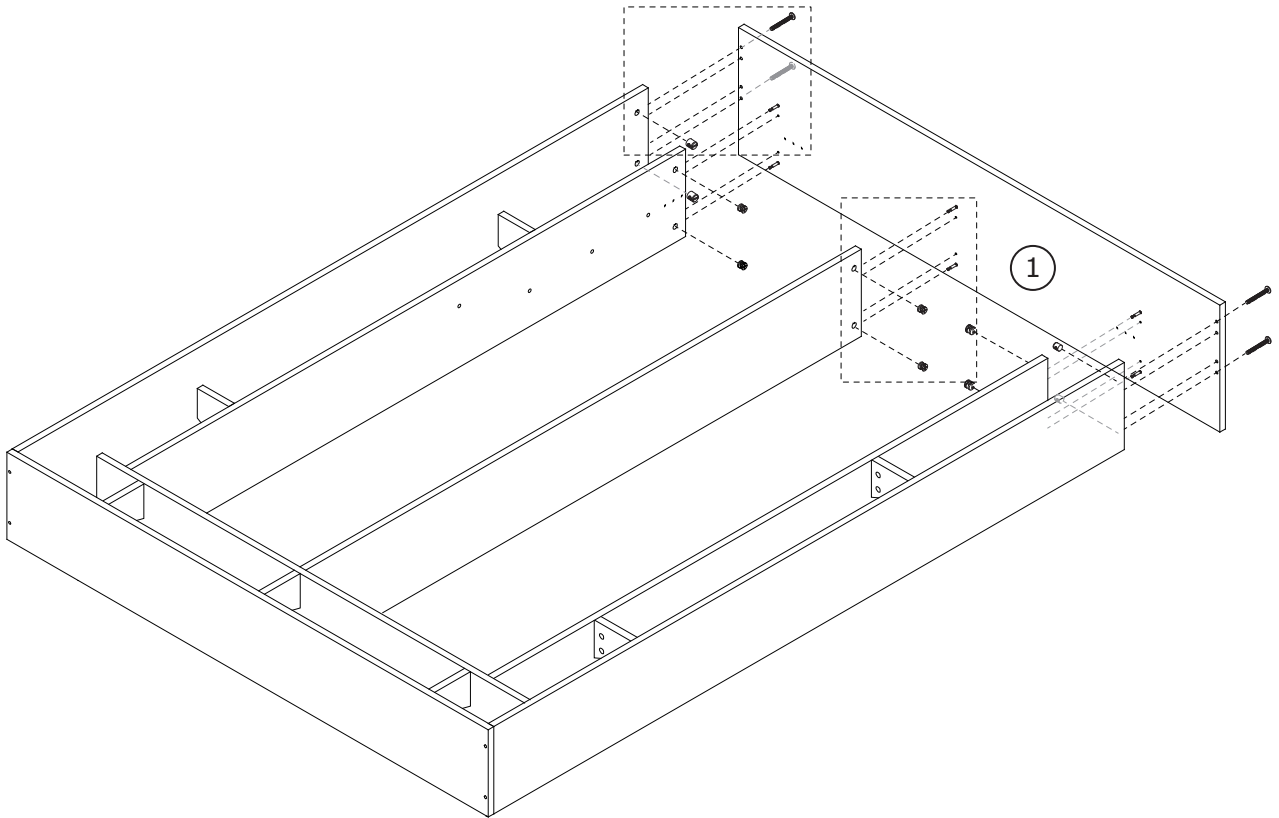
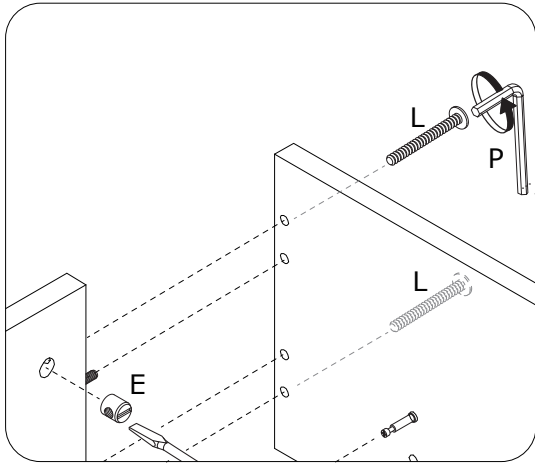
(P)x1pc





15



(B)x6pcs

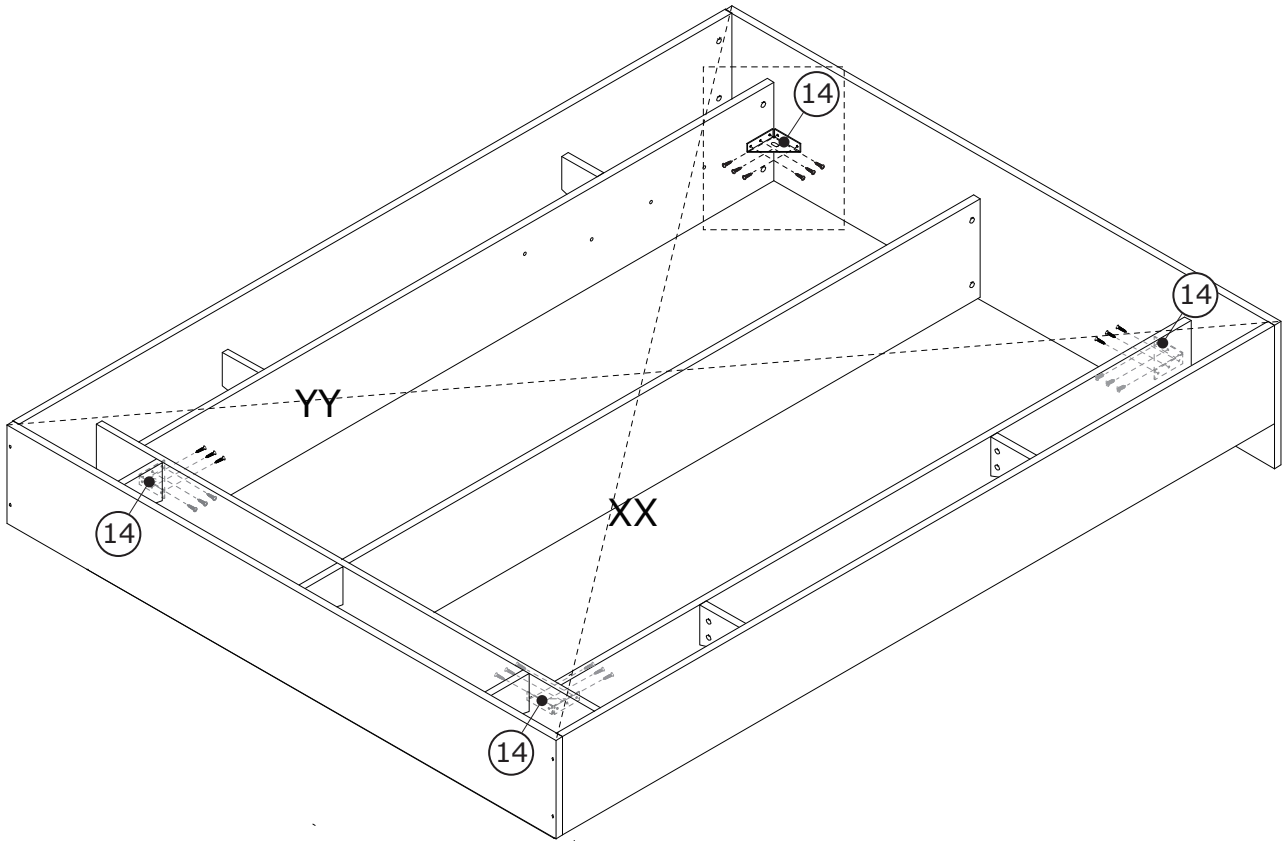
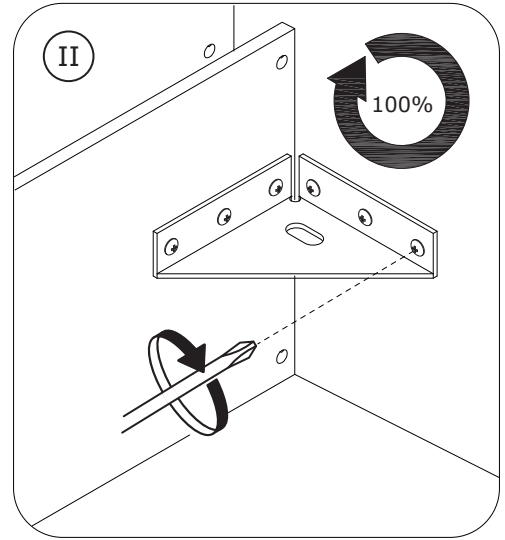
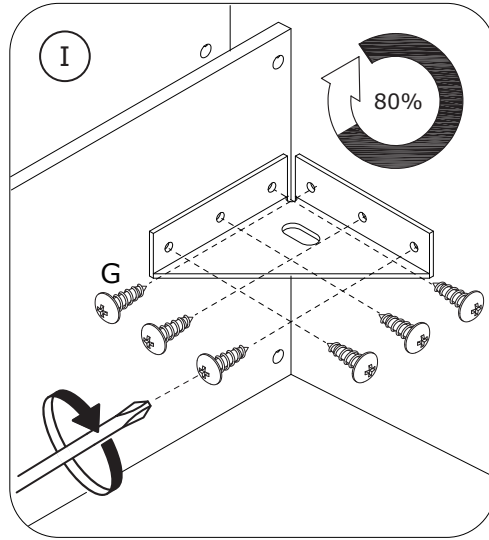
(S)x3pcs



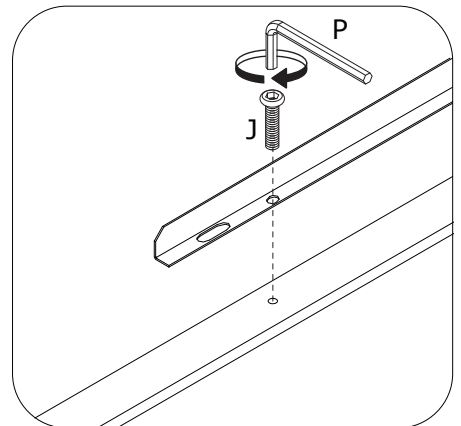
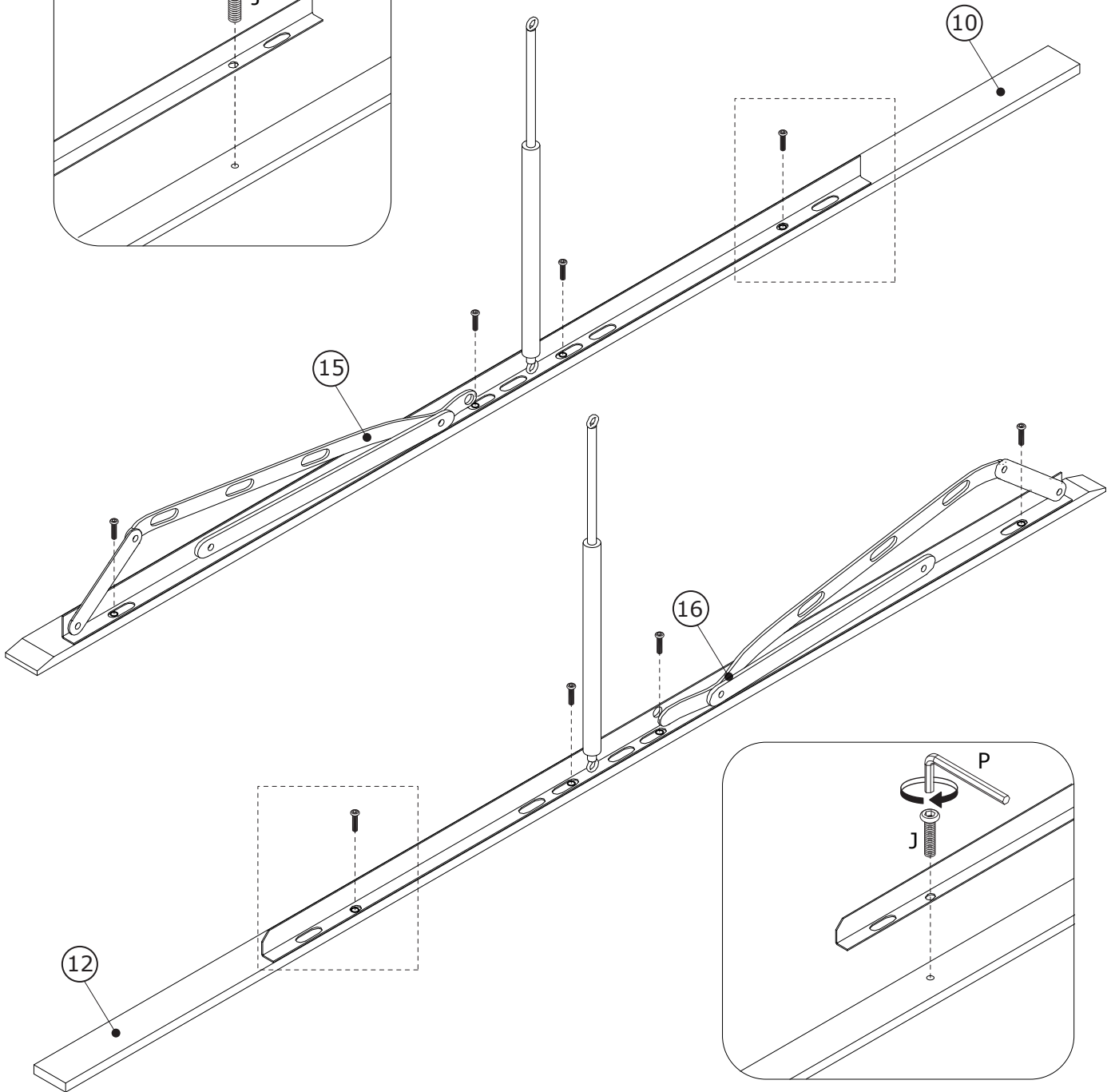
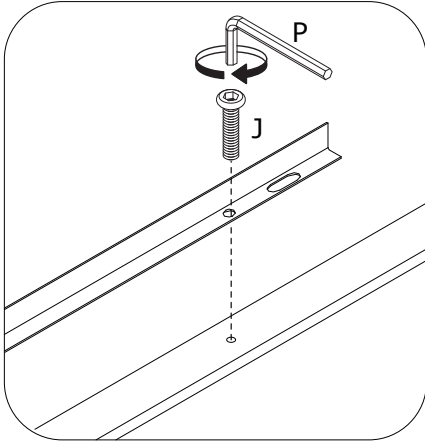
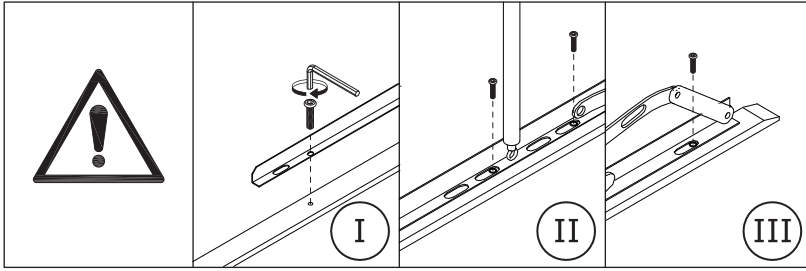
	(D)x6pcs
	(E)x4pcs
	(L)x4pcs
	(P)x1pc



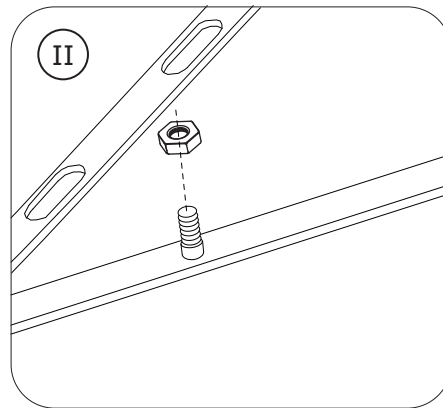
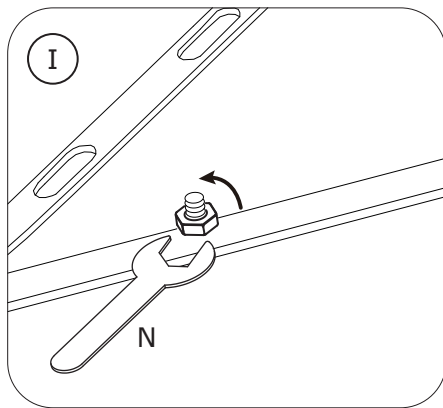
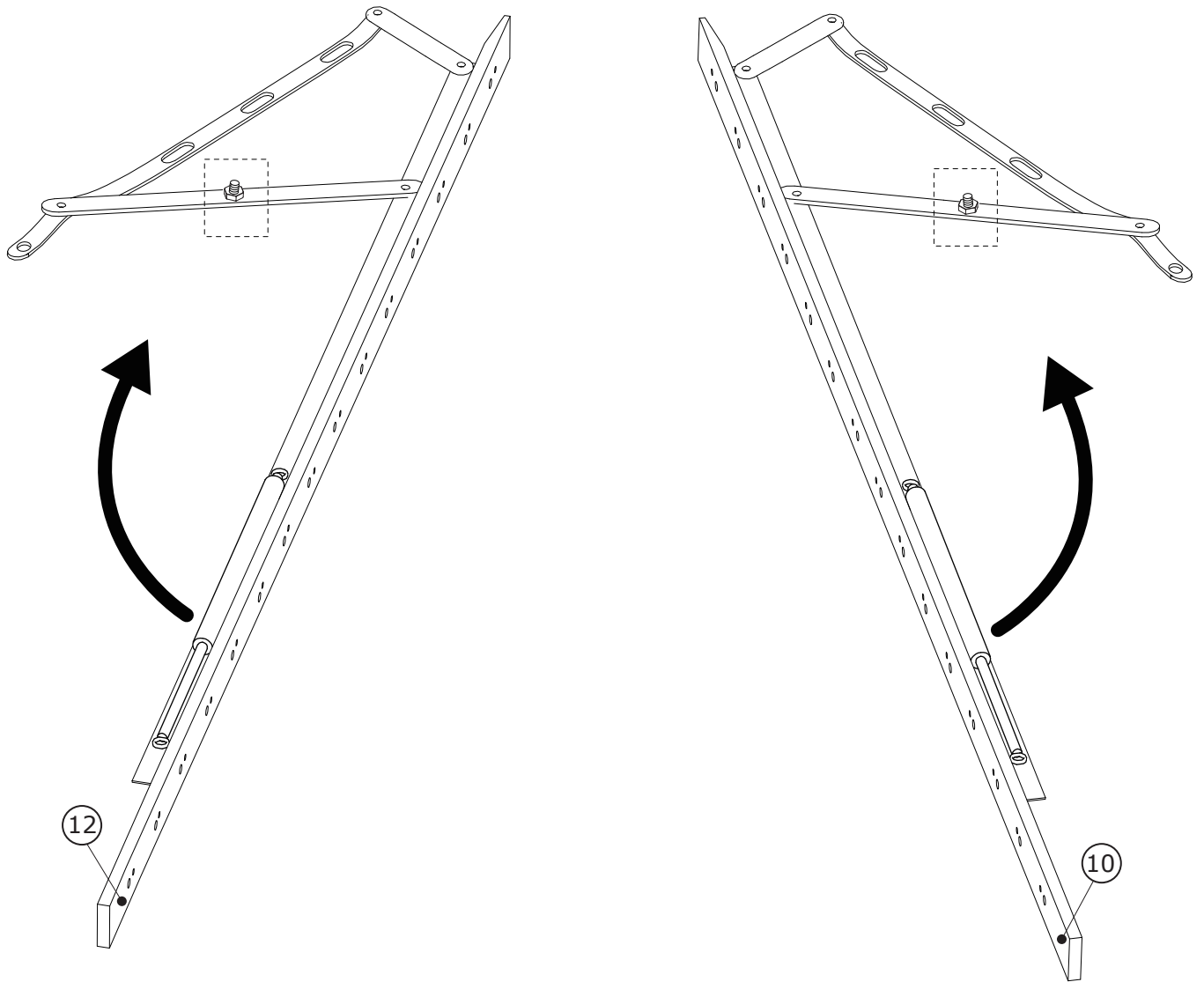
XX = YY ≅ 90°



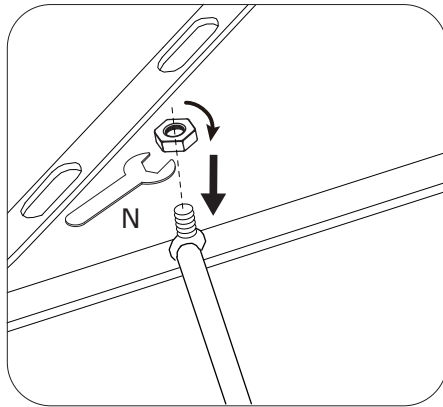
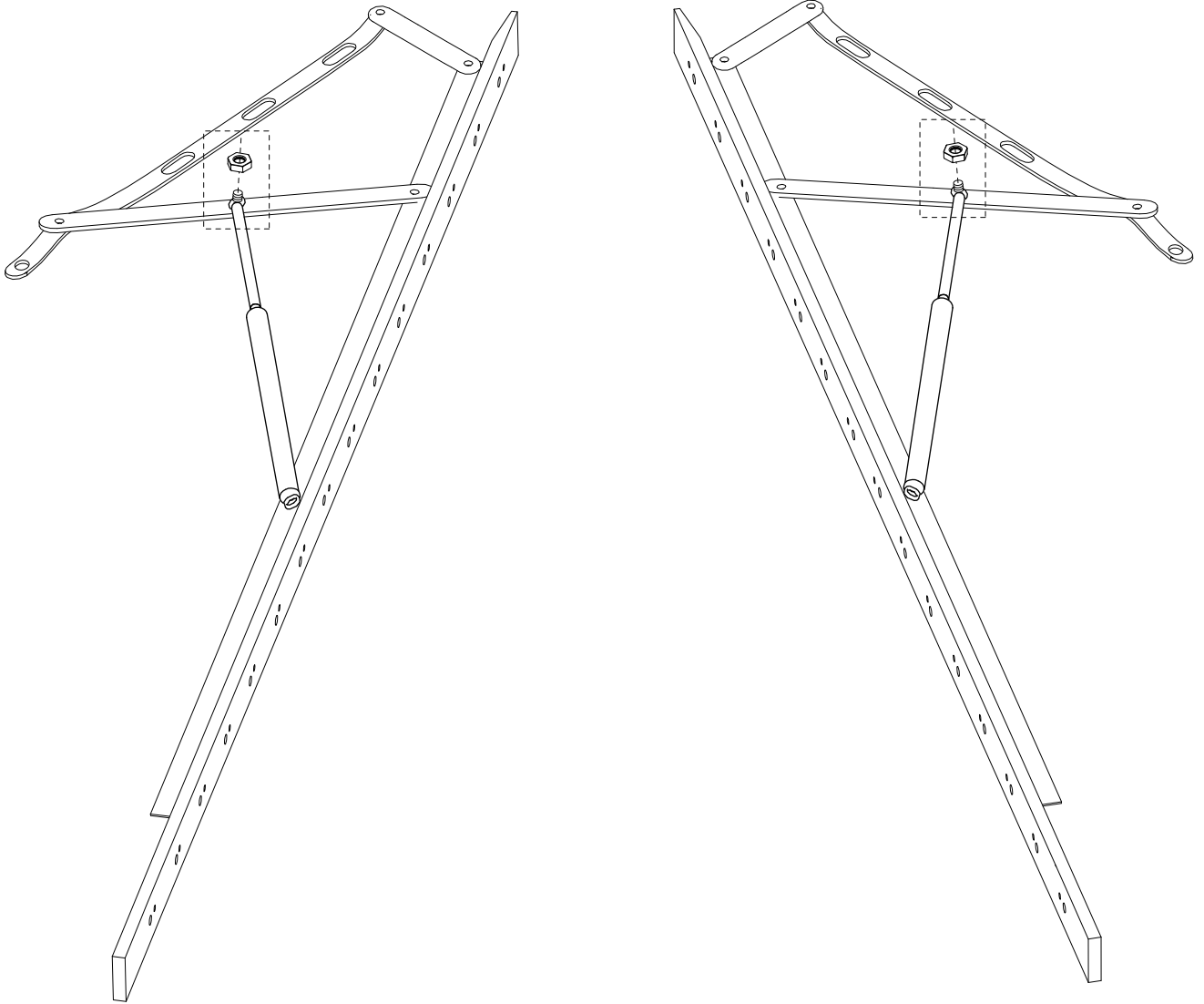
(G)x24pcs



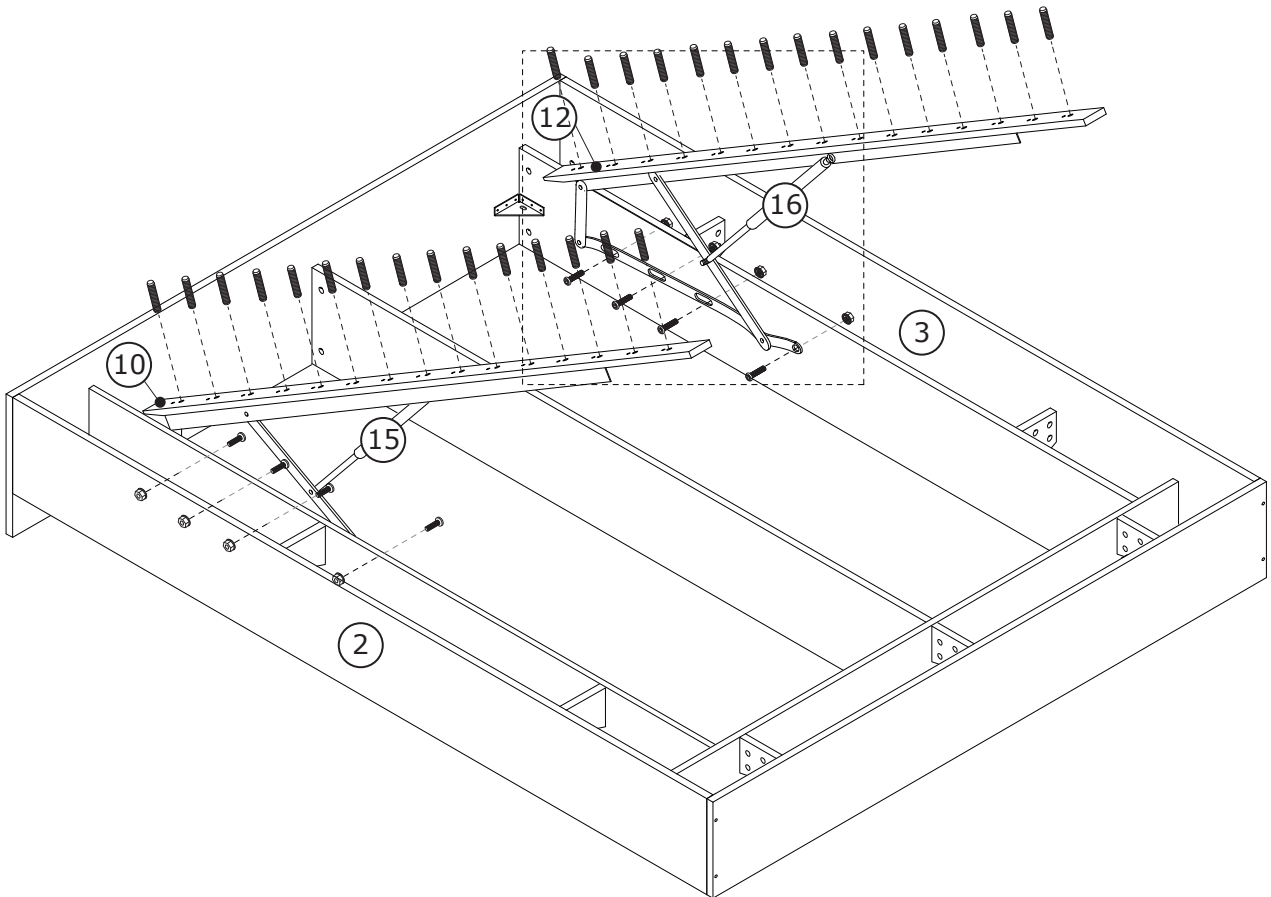
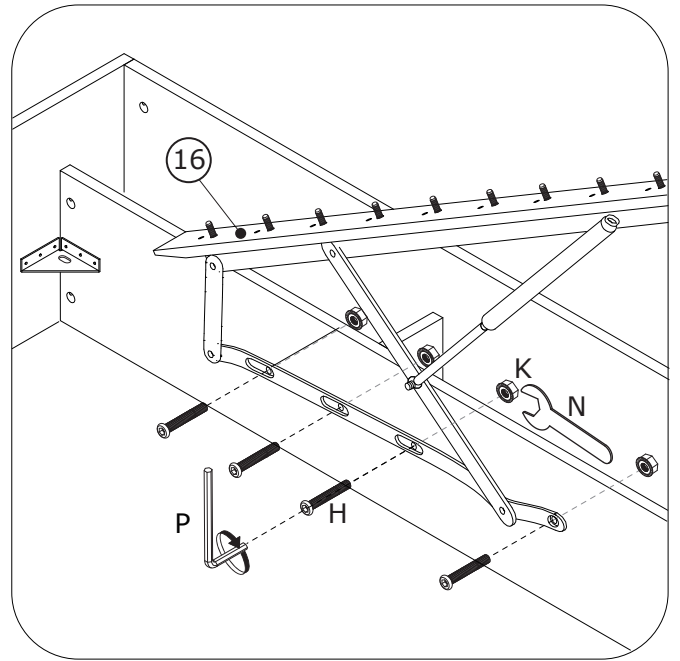
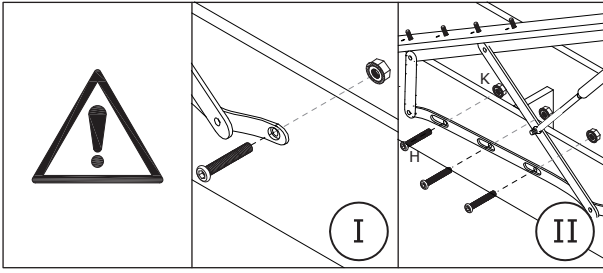
- (J)x8pcs
- (P)x1pc



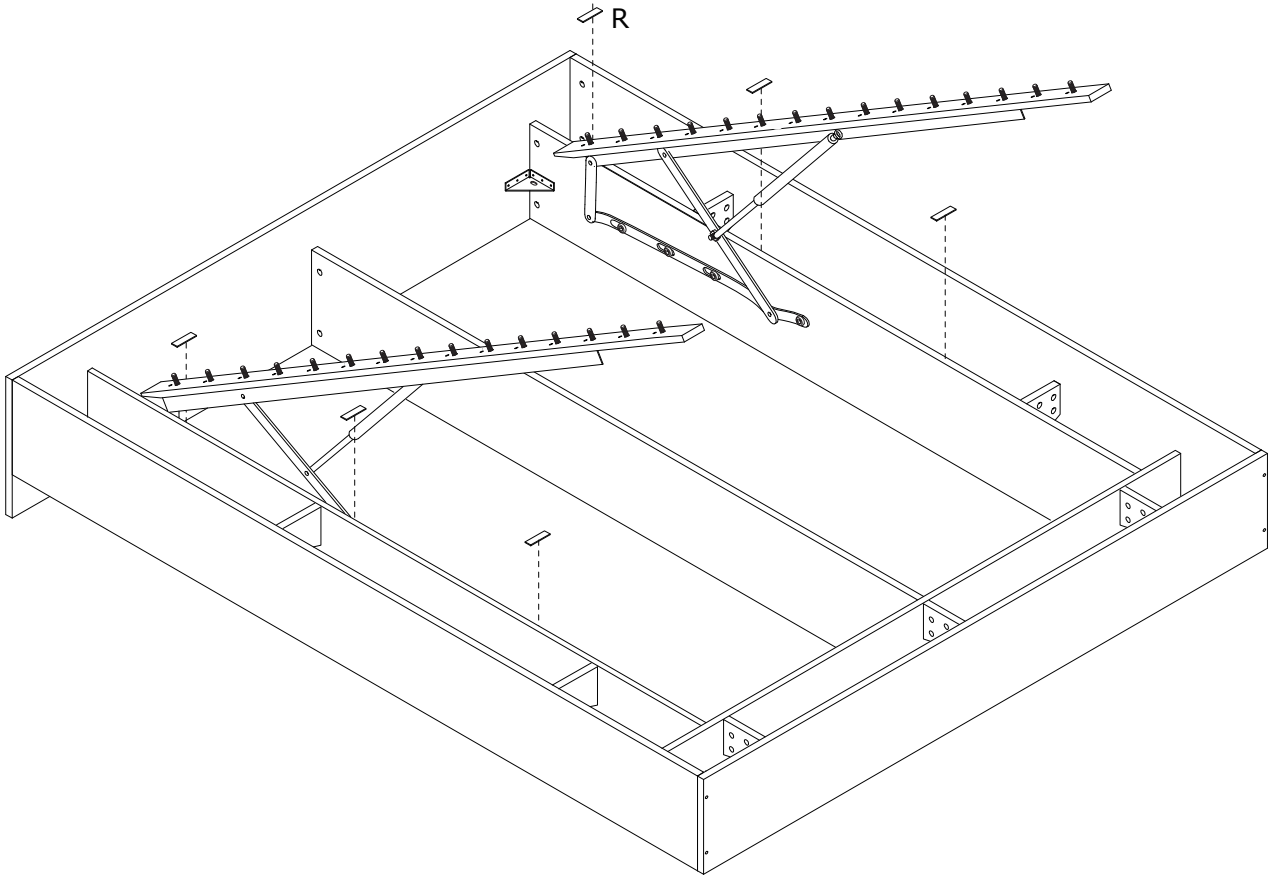
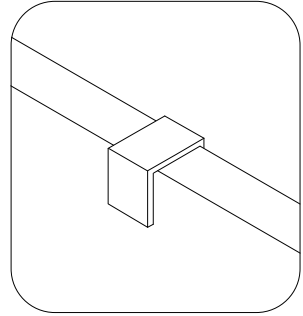
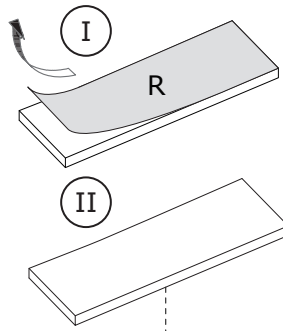
(N)x1pc

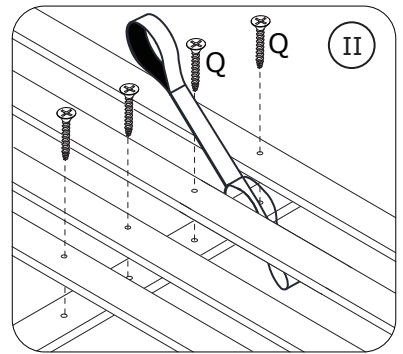
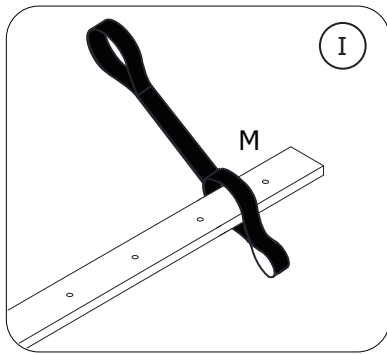
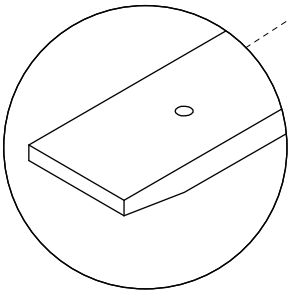
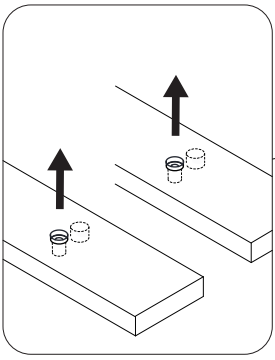
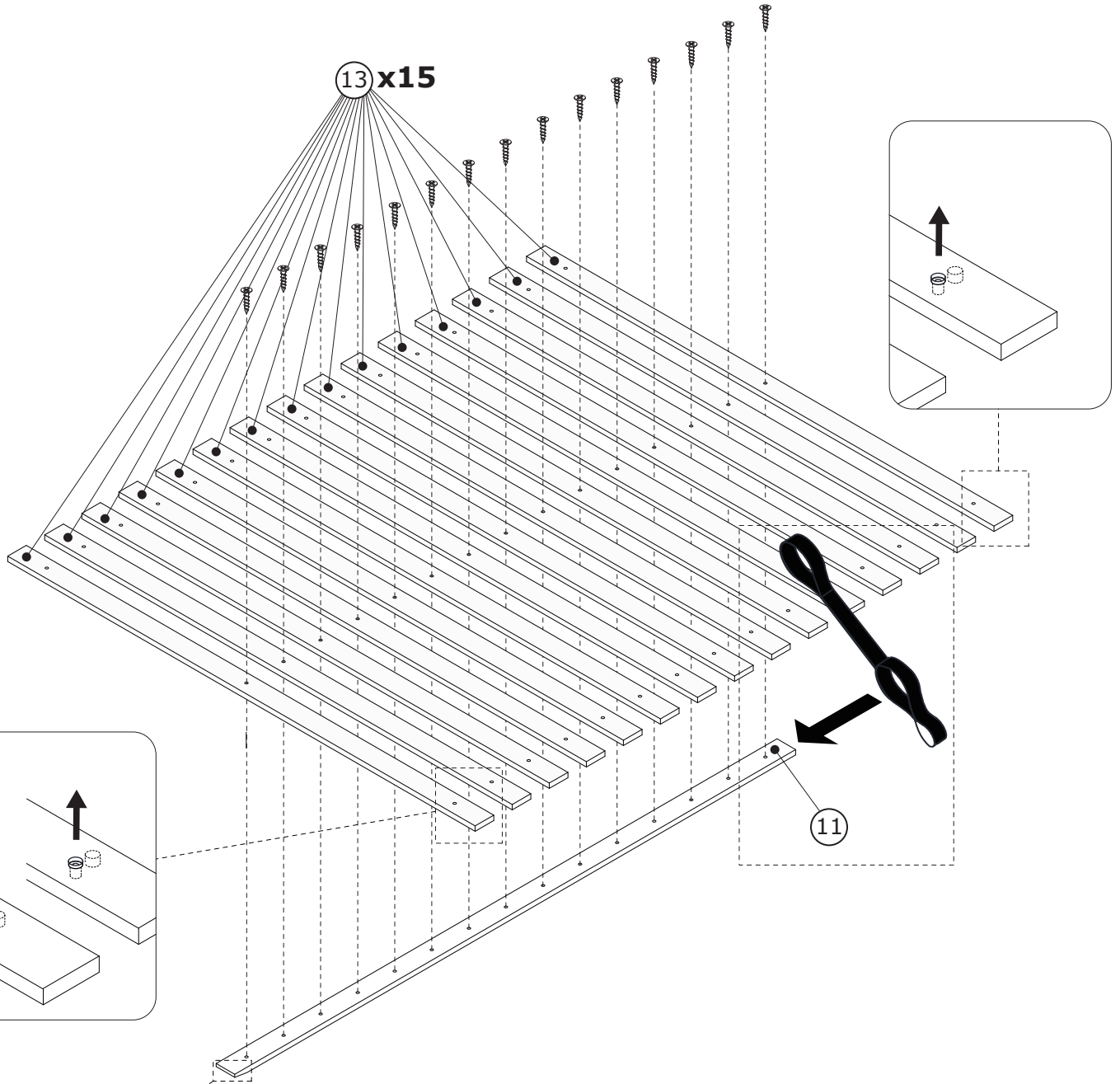
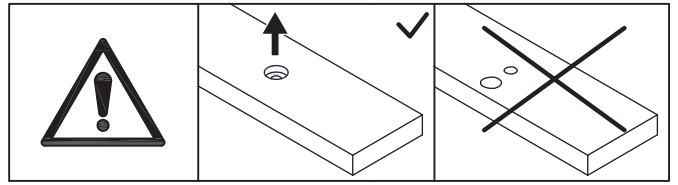




(N)x1pc

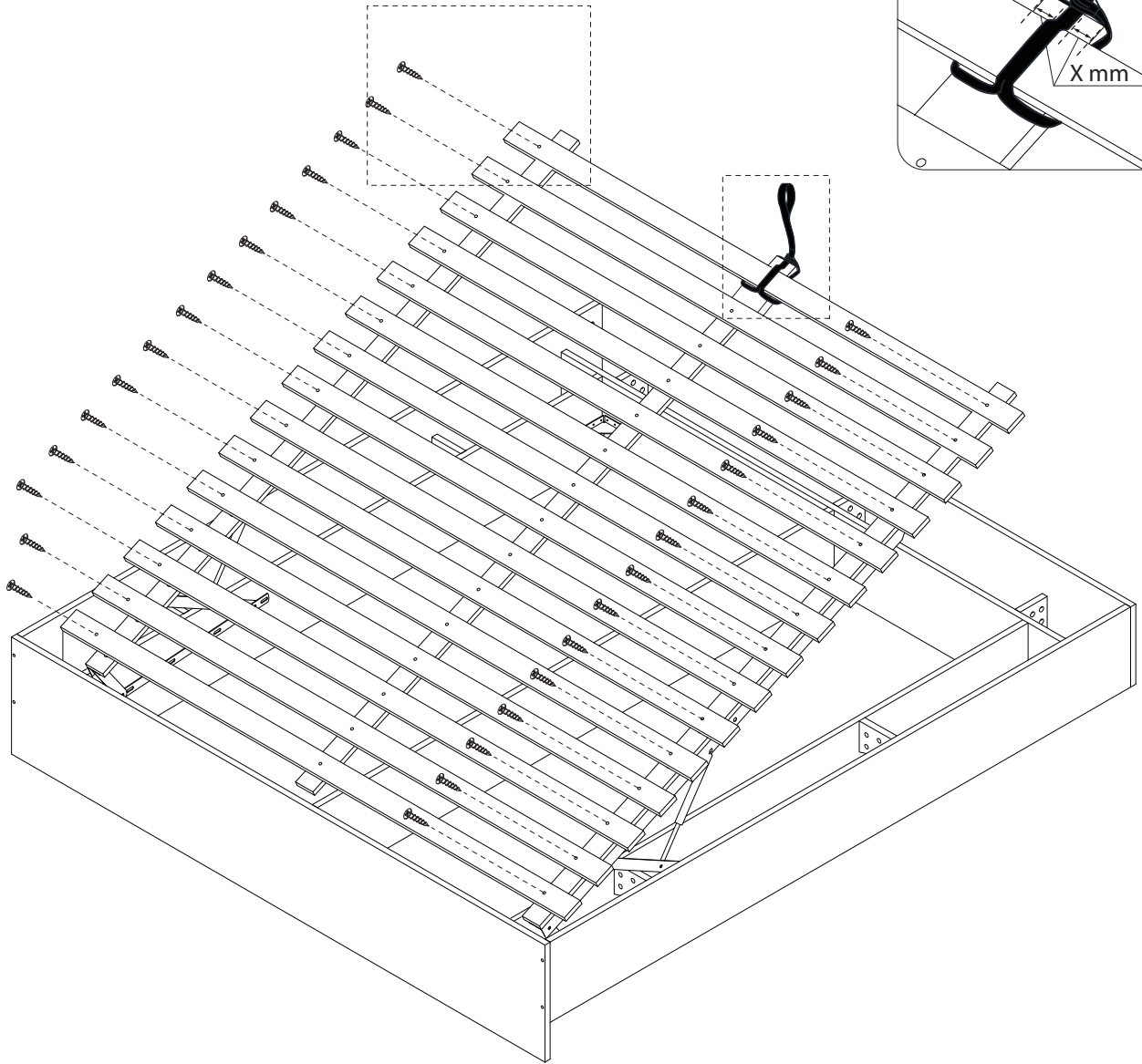
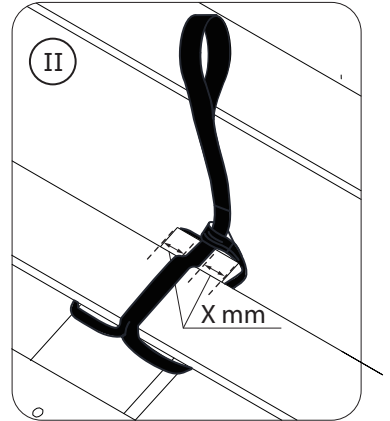
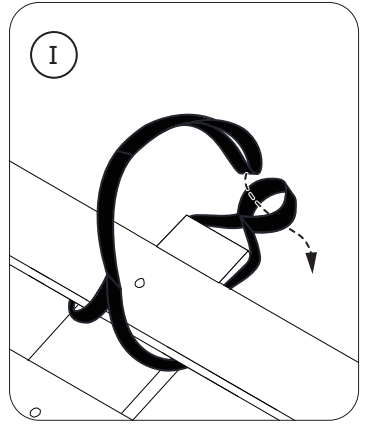
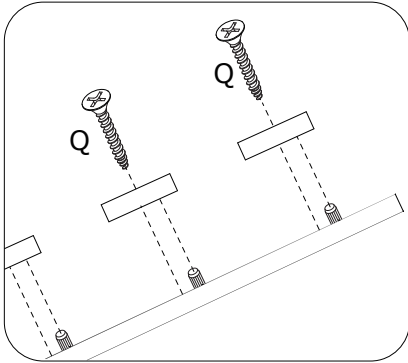


	(H)x8pcs
	(K)x8pcs
	(N)x1pc
	(P)x1pc



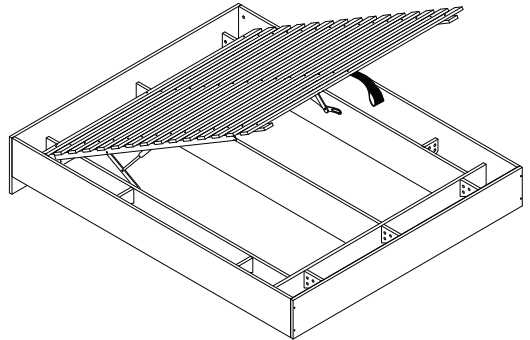
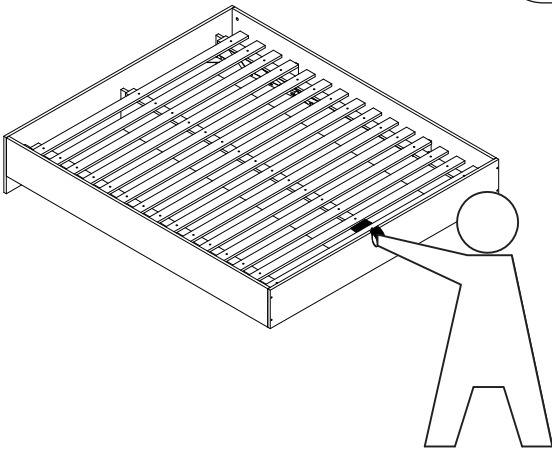
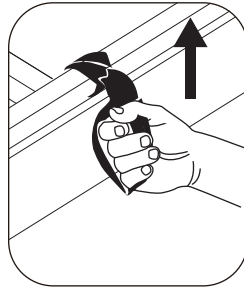
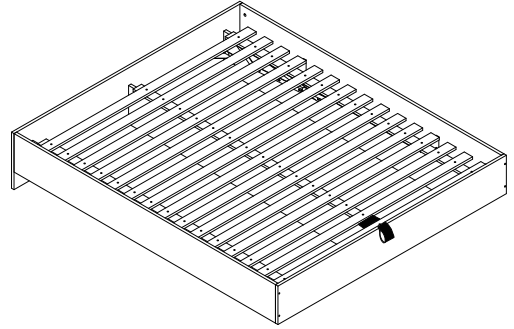
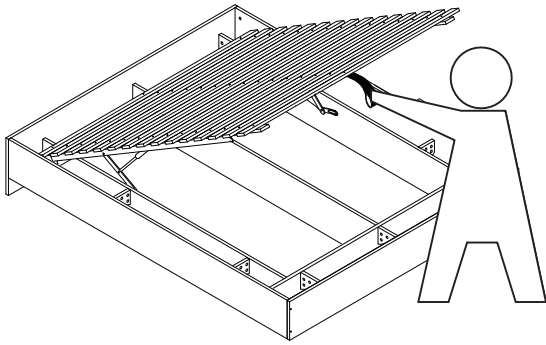


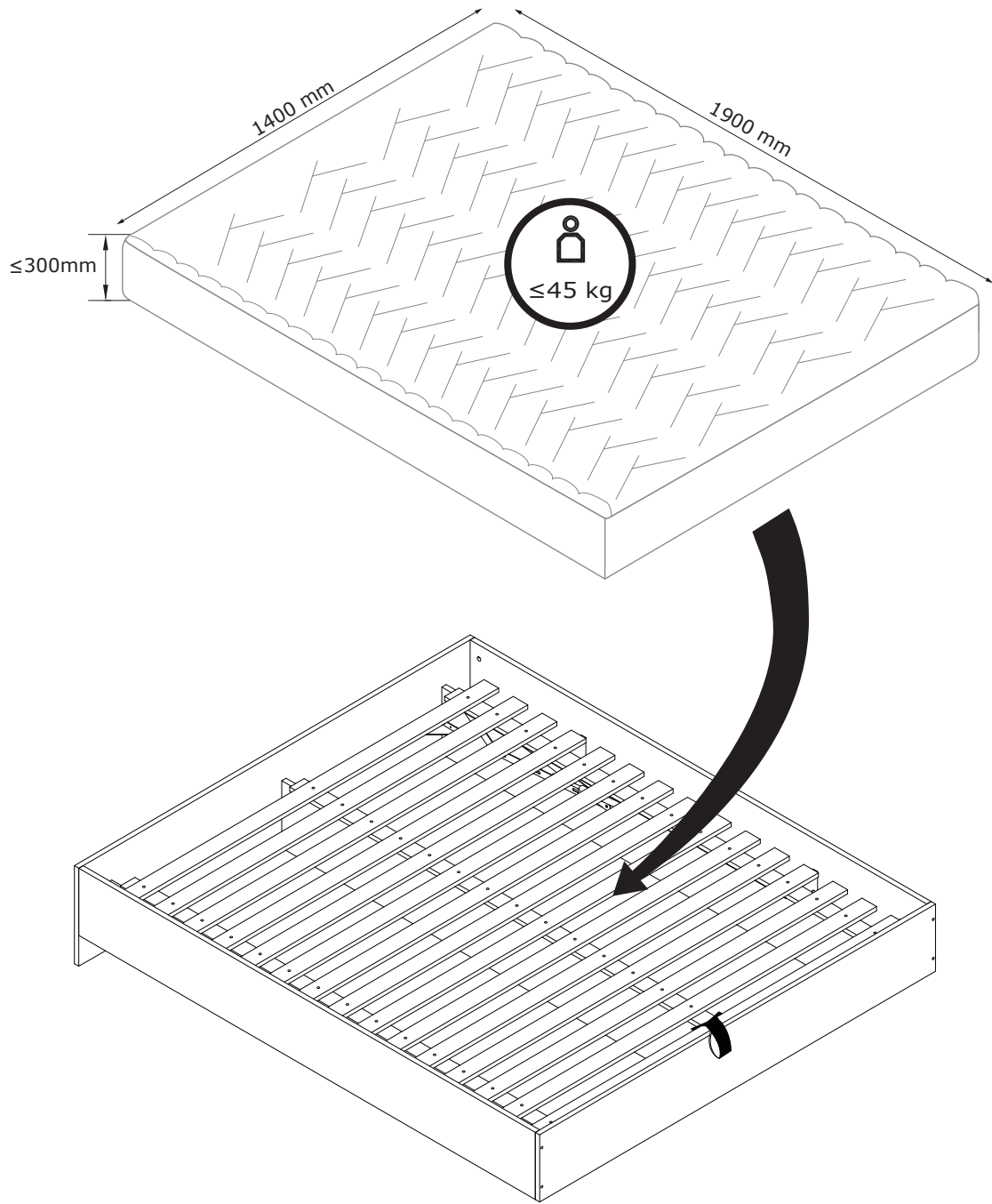
-  (M)x1pc
-  (Q)x15pcs



(Q)x30pcs







## IMPORTANT - READ CAREFULLY - RETAIN FOR FUTURE REFERENCE

### Safety Information

All assembly fixings should be tightened properly and care should be taken that no fittings are loose. Regular tightening of the bolts is recommended to extend the lifespan of the product. Please follow all the instructions when assembling the product and do not use power tools when building.

**Warning:** The product should not be used if any structural part is broken or missing. If any part is missing or broken report it and we will replace, do not attempt to fix the item or purchase additional parts not included with the product; this will invalidate the warranty.

### Return Information

If you have any problems with the item just email us at [info@noaandnani.co.uk](mailto:info@noaandnani.co.uk) and we can resolve it for you, our technical team will be able to assist in helping. If you have any parts that are damaged we can replace them for you. If you do need to return the item for some reason just email and request an RMA number.

### Assembly Information

We understand that self assembly furniture can be a pain but we try and make it as easy as possible for anyone to build, if you have found a problem with the assembly of the product or with the assembly instructions or you have comments on how we would improve them, we would love to hear from you. Just contact us either by email at [productadvice@noaandnani.co.uk](mailto:productadvice@noaandnani.co.uk) or via Live Chat on our website [noaandnani.co.uk](http://noaandnani.co.uk)

### Related Items

We have a matching range of items that compliment this product, just head to [noaandnani.co.uk](http://noaandnani.co.uk) for the full selection.

Any Questions or Issues Scan here for help



**NÖA & NANI**  
FAMILY FURNITURE

