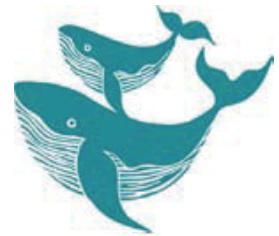




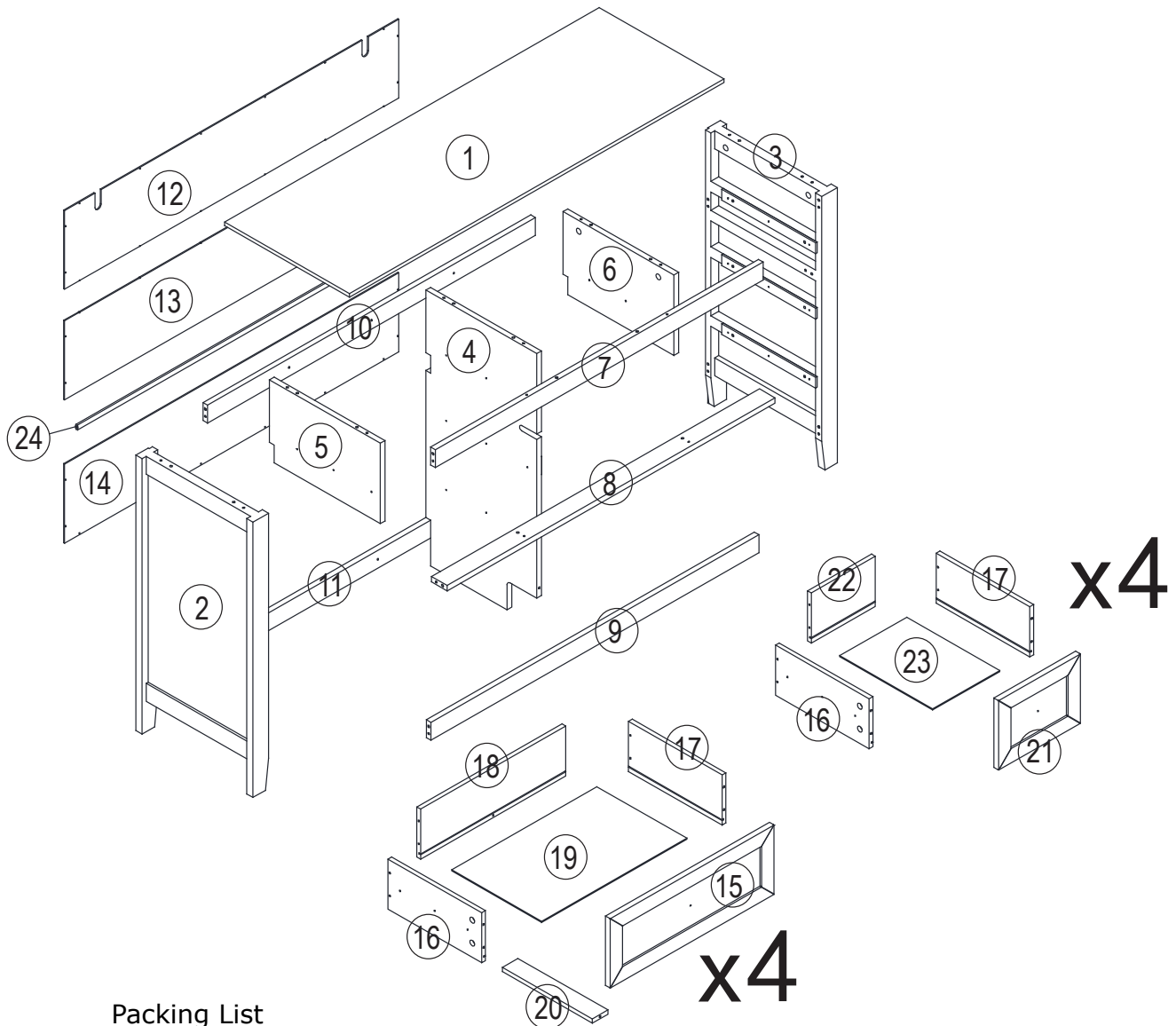
NÖA & NANI

FAMILY FURNITURE



Karlstad 8 Drawer Chest ASSEMBLY INSTRUCTIONS

ID: 22824-2




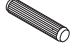
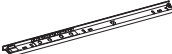
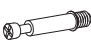









Packing List

Carton A : Parts : 2 | 3 | 4 | 16 * 8 | 17 * 8 & Hardware

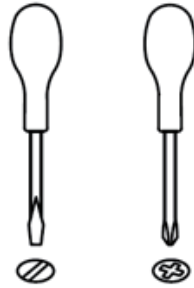
Carton B : Parts 1 | 5 | 6 | 7 | 8 | 9 | 10 | 11 | 12 | 13 | 14 | 15*4 |

18 * 4 | 19 * 4 | 20 * 4 | 21 * 4 | 22 * 4 | 23 * 4 | 24

Hardware:

Part No.	Part	Quantity	H	(1)	(2)
				 300mm	16pcs
A	 6x30mm	22pcs	H	 300mm	16pcs
B	 6x35mm	57pcs	J	 4x16mm	8pcs
C	 15x12mm	21pcs	K	 2.5x12mm	30pcs
D	 15x9.5mm	36pcs	L		1pc
E	 3x12mm	96pcs	M		8pcs
F	 4x30mm	46pcs			
G	 4x14mm	2pcs			

Tools Required



CAUTION: Do not use tools other than those required, as this can damage your new item.

NOTE

- Please check you have all hardware before assembling.
- If you are missing any hardware, please contact the store of purchase.
- Please ensure you have the name of the item, required hardware part and quantity.
- Please retain your receipt as proof of purchase to validate your warranty.

CAUTION

- Do not tighten screws before all screws are in the right place.
- Do not use this product unless all bolts, screws and knobs are firmly secured.
- Check that all bolts, screws and knobs are securely tightened at least every 4 months.

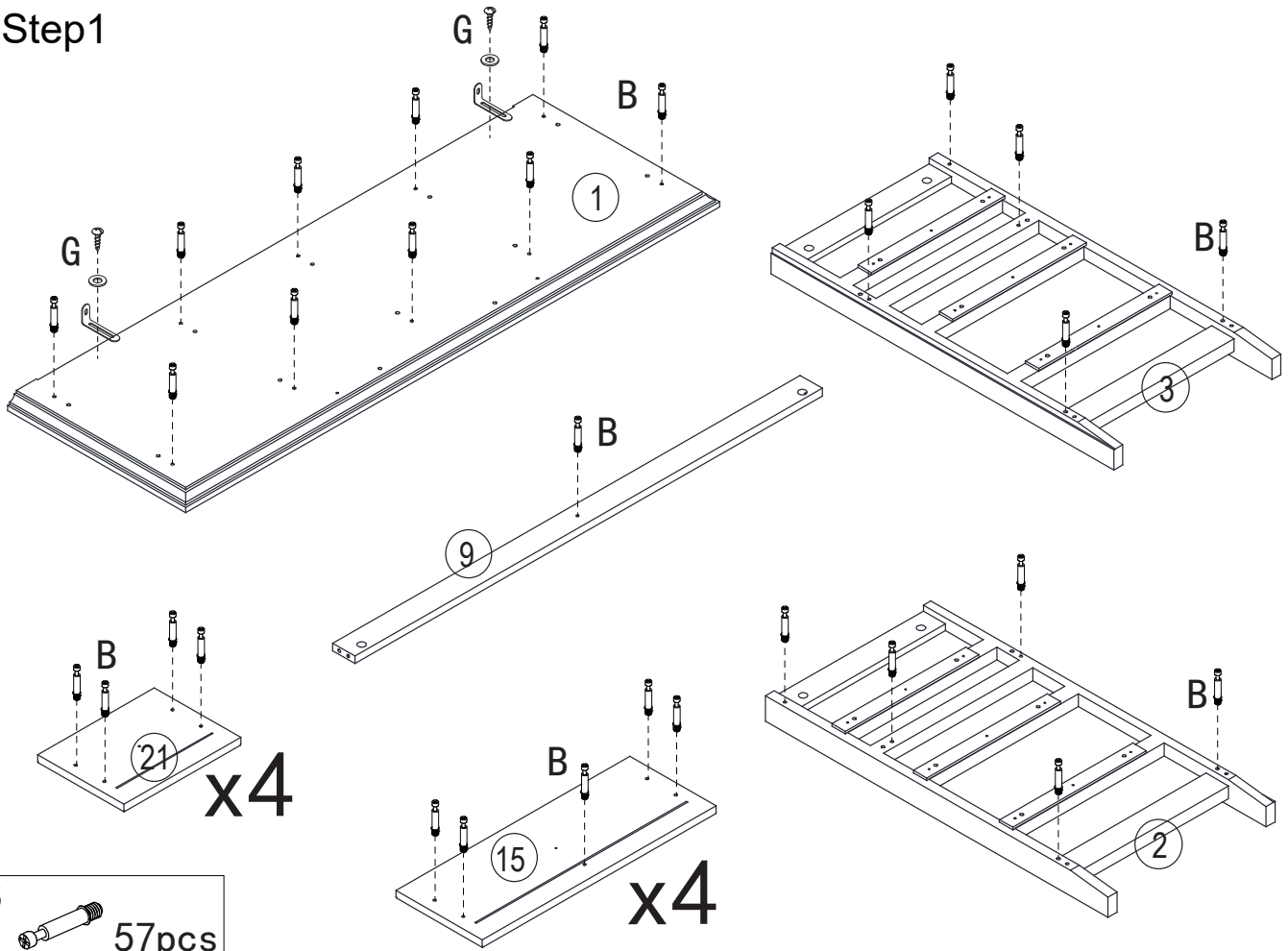
WARNING

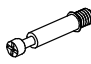

- If parts are missing, broken, damaged or worn stop using the product until all repairs are made using manufacturer authorised parts.
- Failure to follow these warnings could result in serious injury.

DANGER

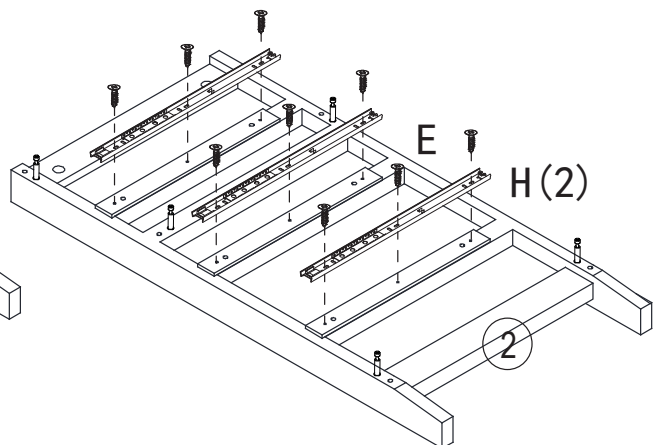
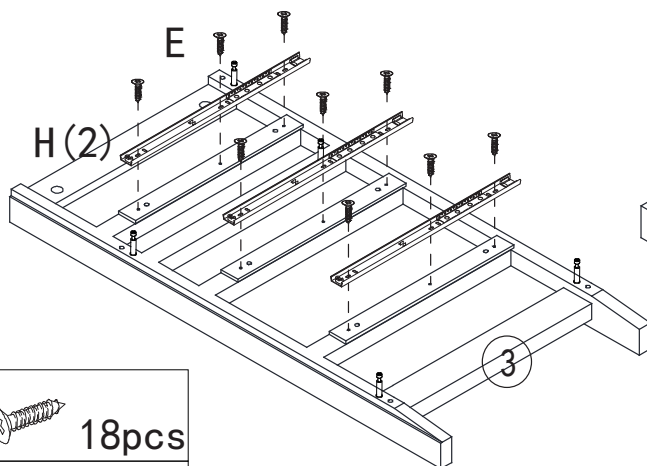
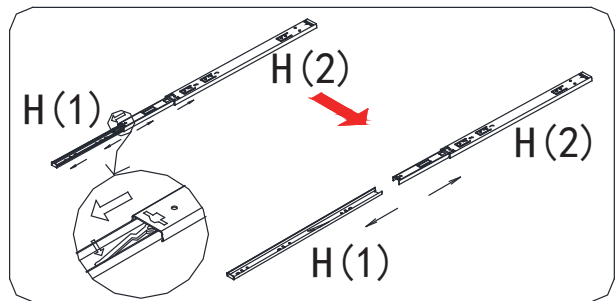
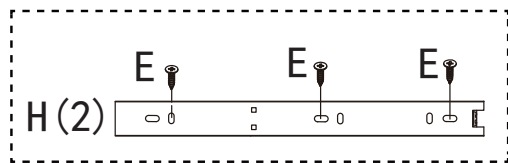
- CHILDREN MUST BE SUPERVISED.

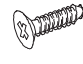
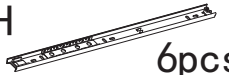
Step1



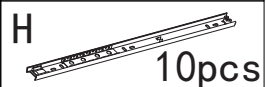
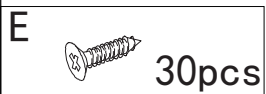
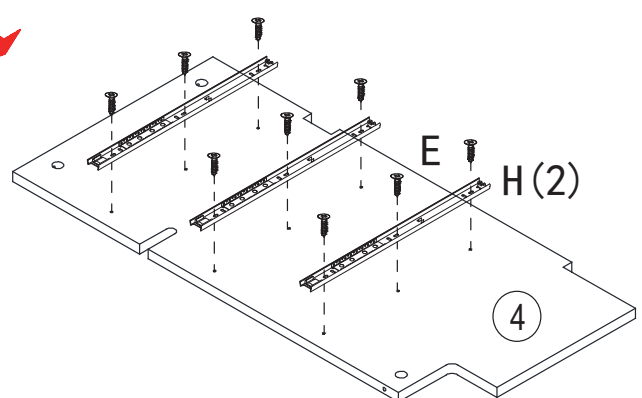
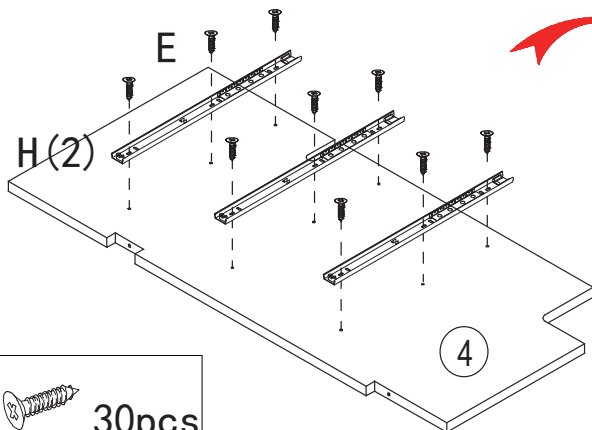
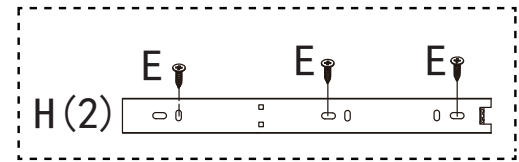
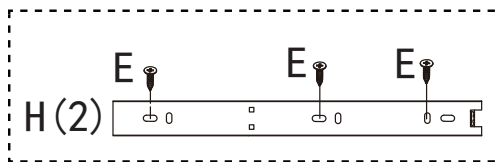
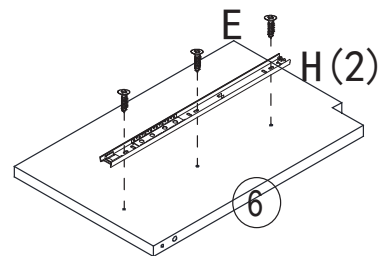
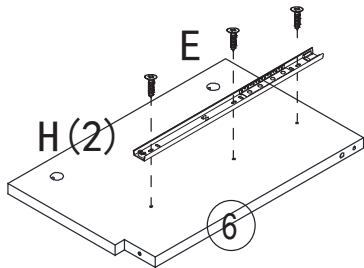
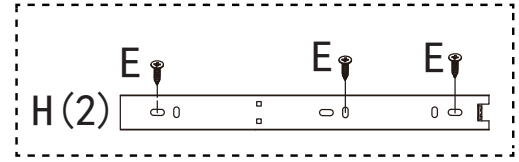
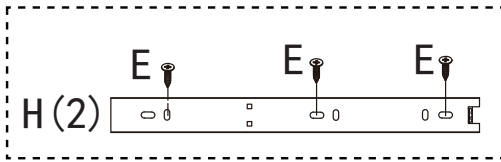
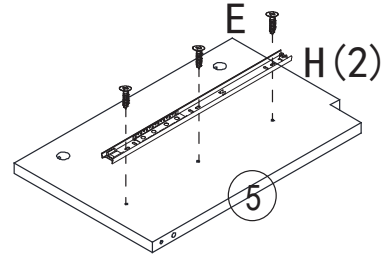
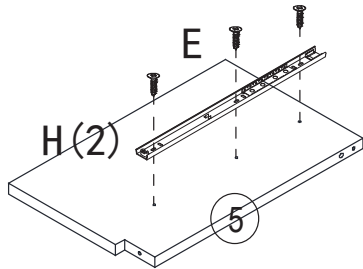
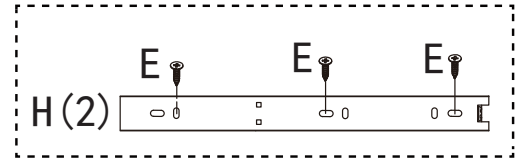
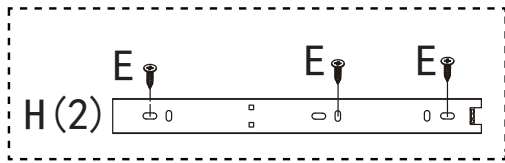
- B**  57pcs
- G**  2pcs

Step2

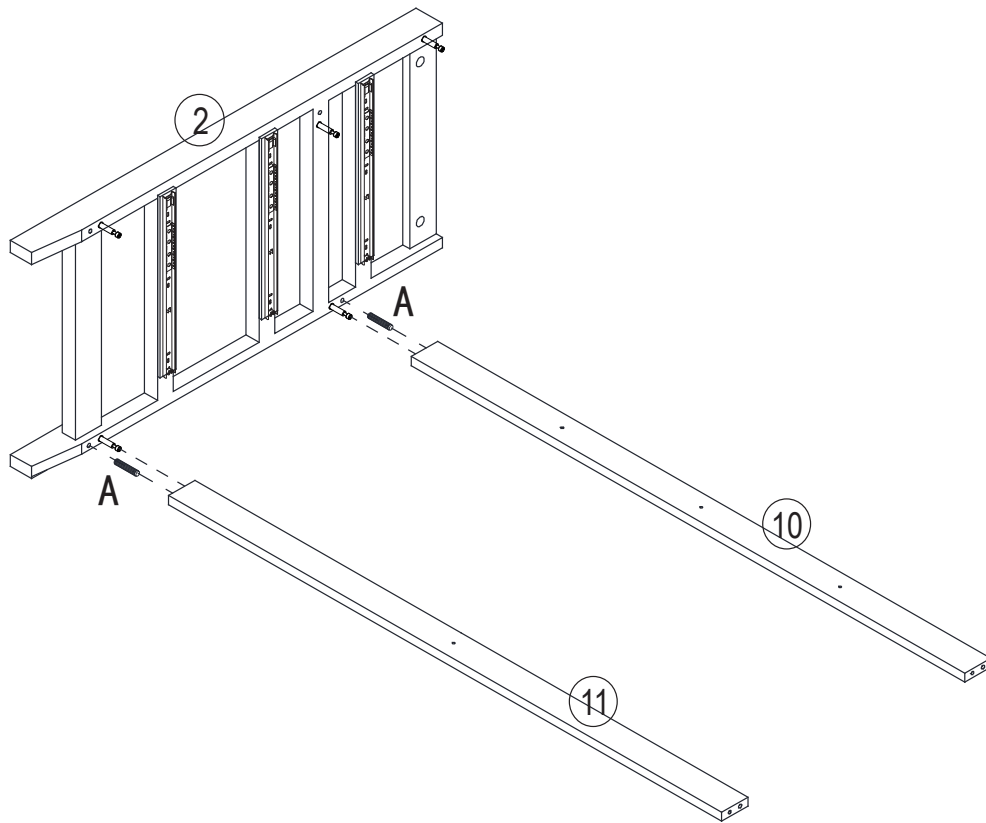



- E**  18pcs
- H**  6pcs

Step3

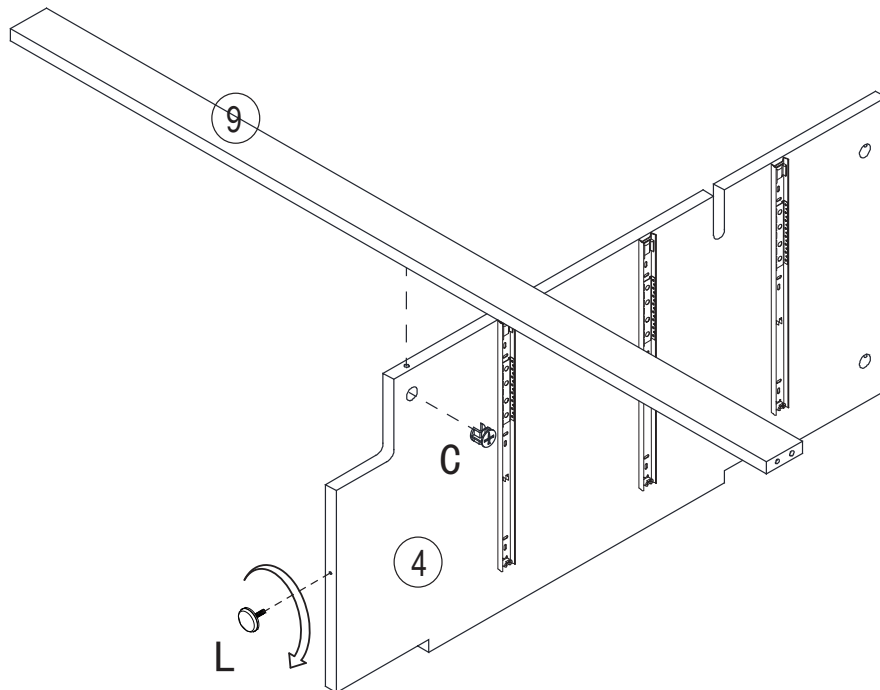


Step4




A  2pcs

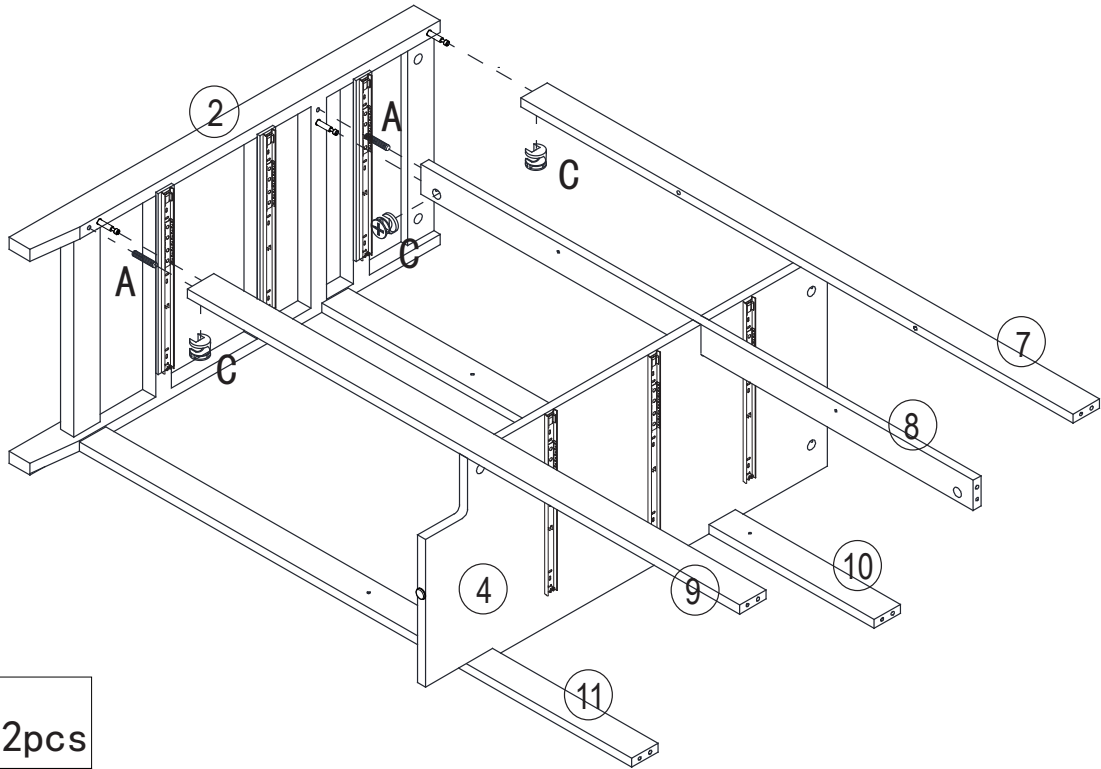
Step5

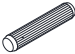


C  1pc

L  1pc

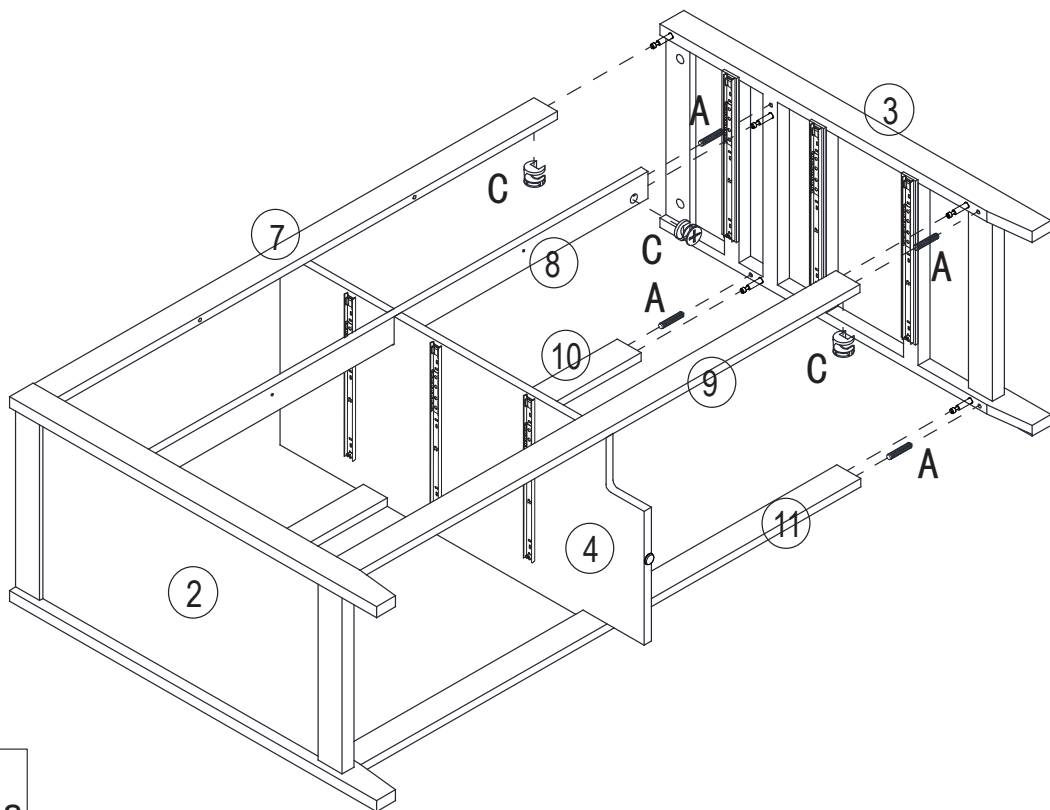
Step6

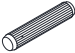


A  2pcs

C  3pcs

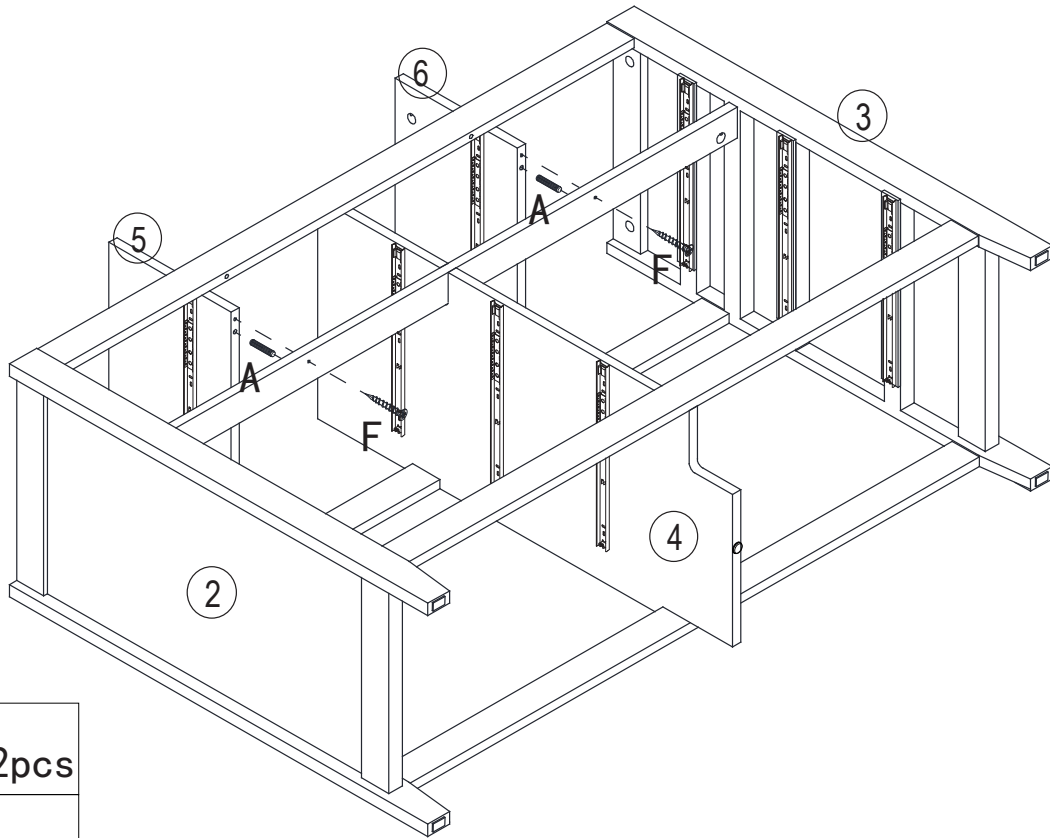
Step7

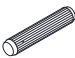



A  4pcs

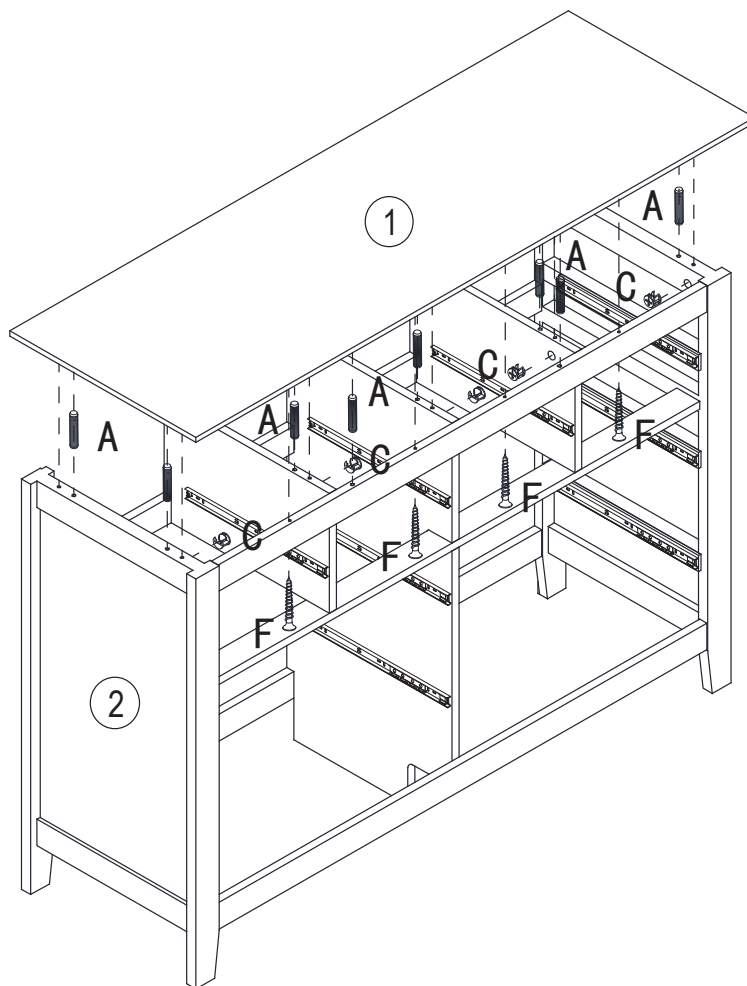
C  3pcs

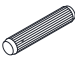


Step8



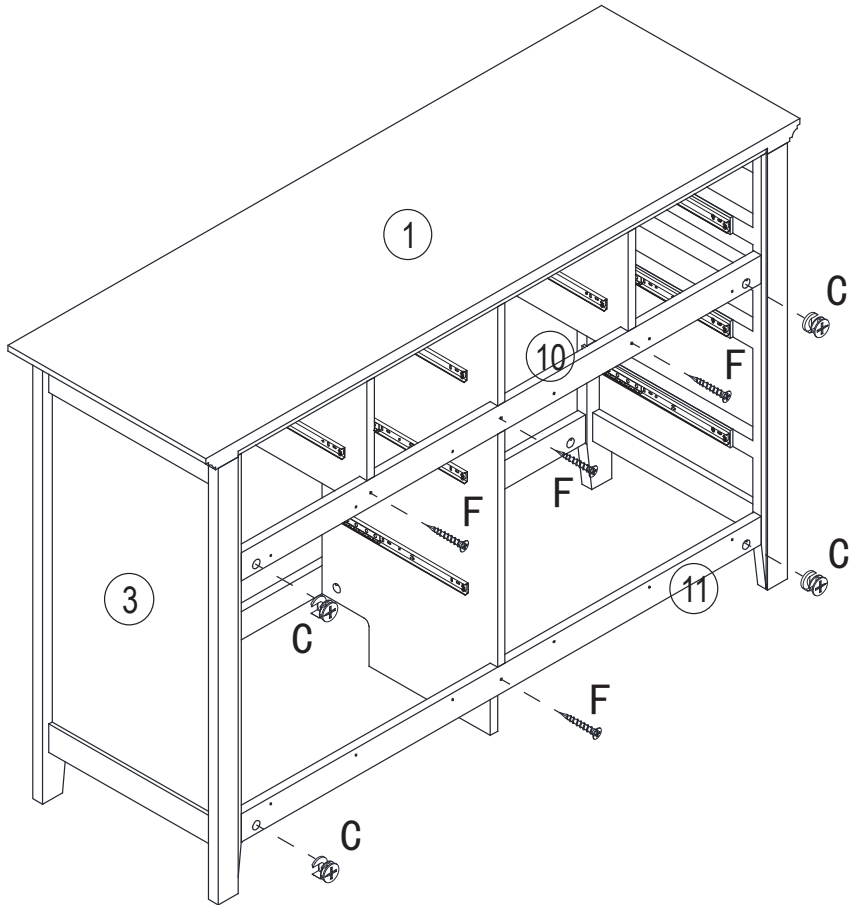
- | | | |
|---|-----------------------------------------------------------------------------------|------|
| A |  | 2pcs |
| F |  | 2pcs |

Step9



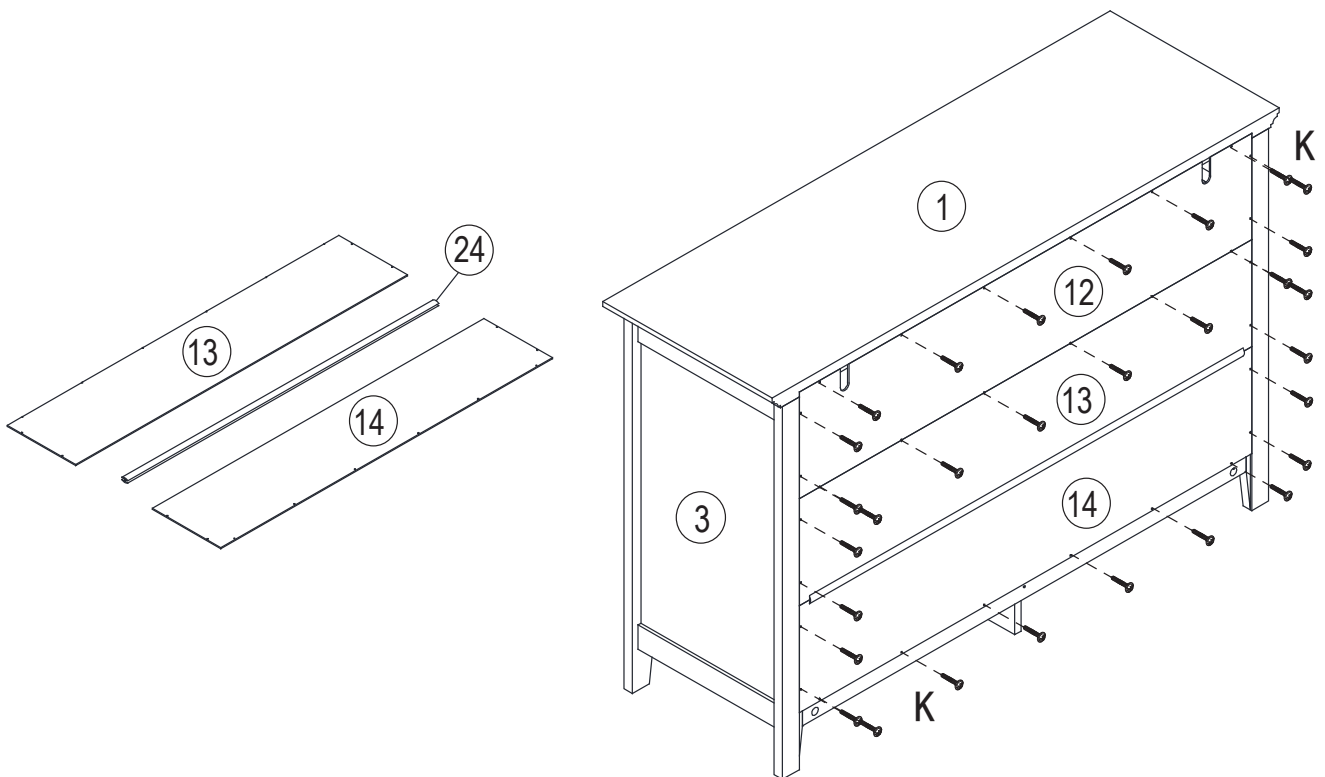
- | | | |
|---|-------------------------------------------------------------------------------------|-------|
| A |  | 12pcs |
| C |  | 10pcs |
| F |  | 4pcs |

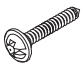
Step10



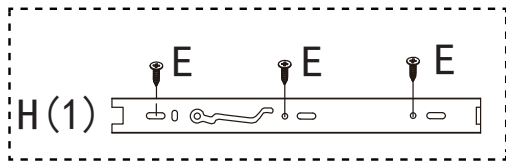
C		4pcs
F		4pcs

Step11

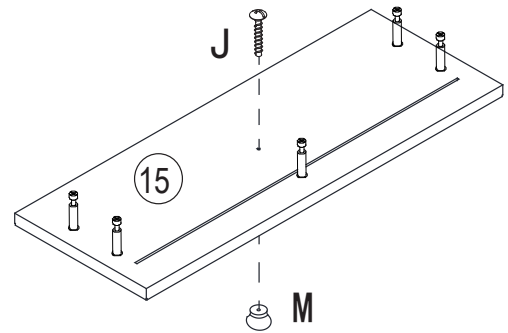
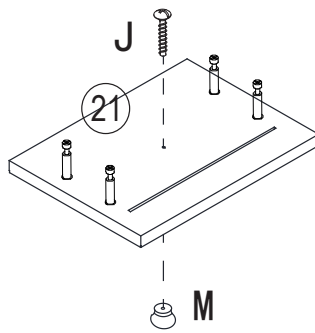
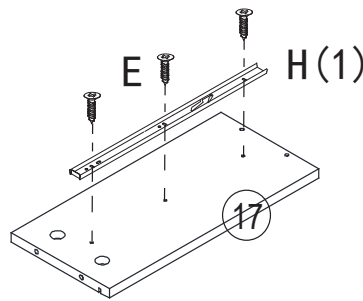
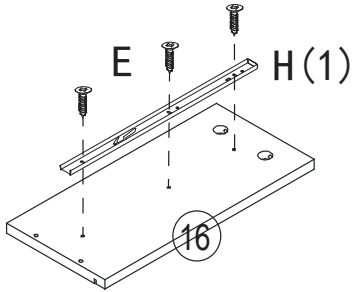






K		30pcs
---	-------------------------------------------------------------------------------------	-------

Step12



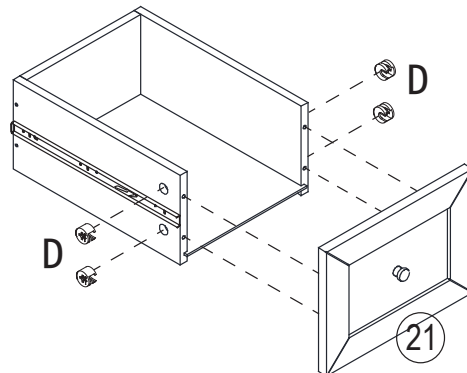
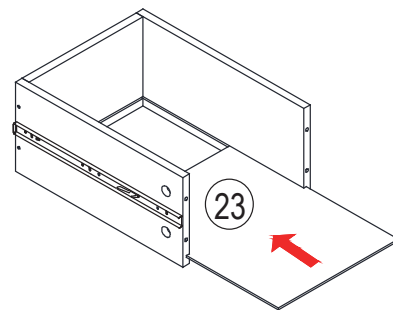
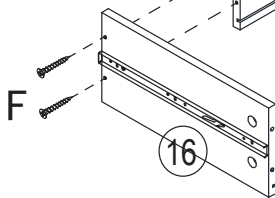
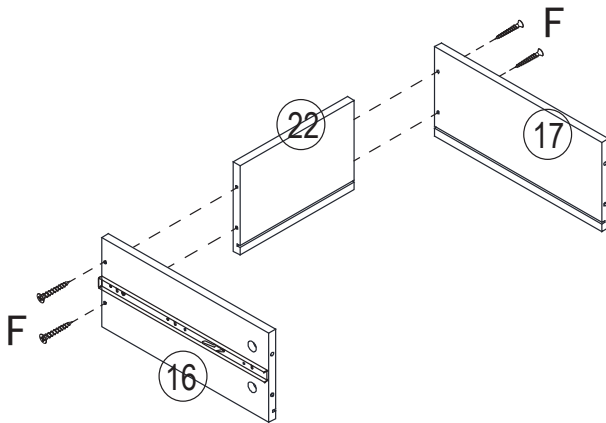
x4





E		48pcs
H		16pcs
J		8pcs
M		8pcs

Step13

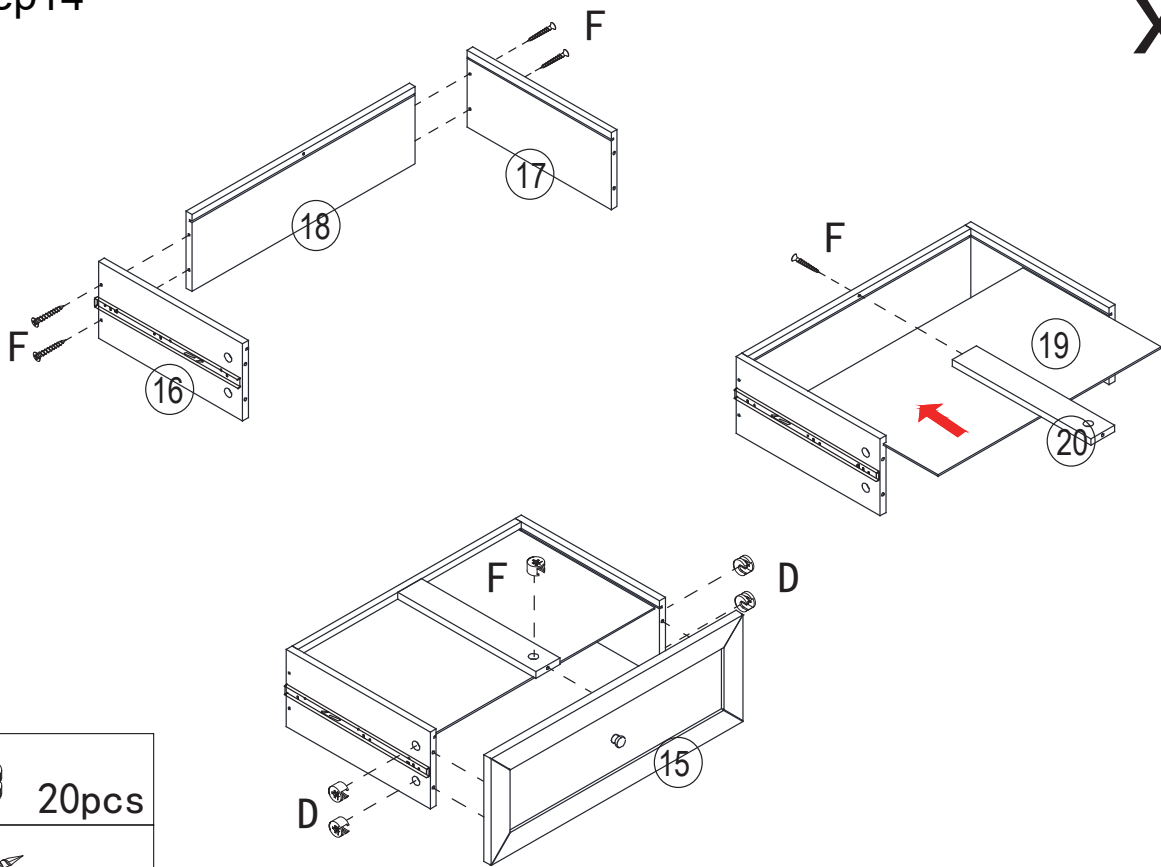
x4



D		16pcs
F		16pcs

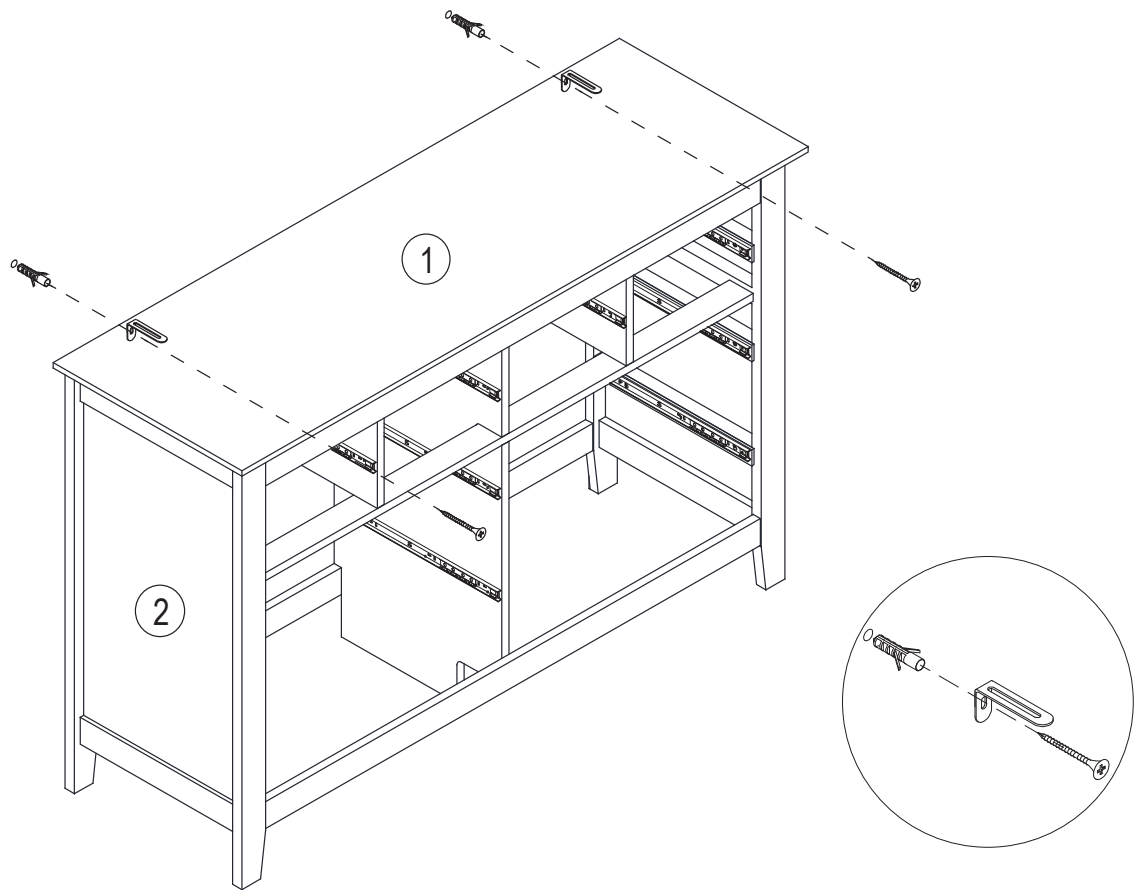
Step14

x4

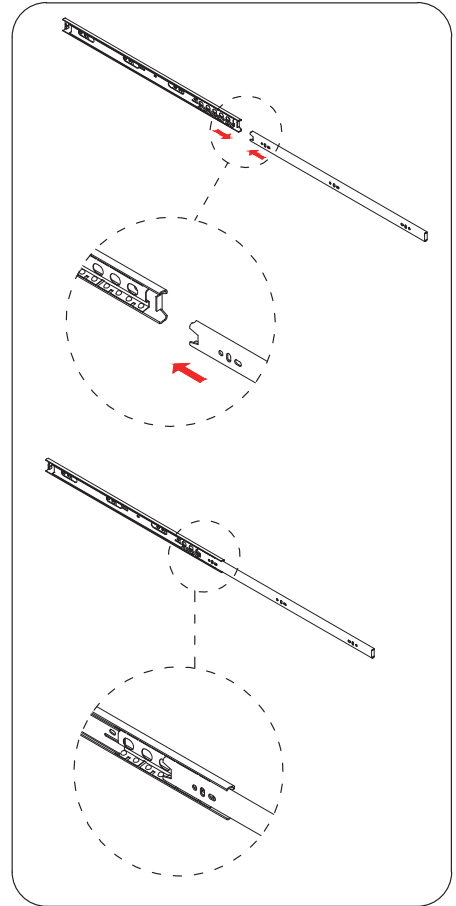
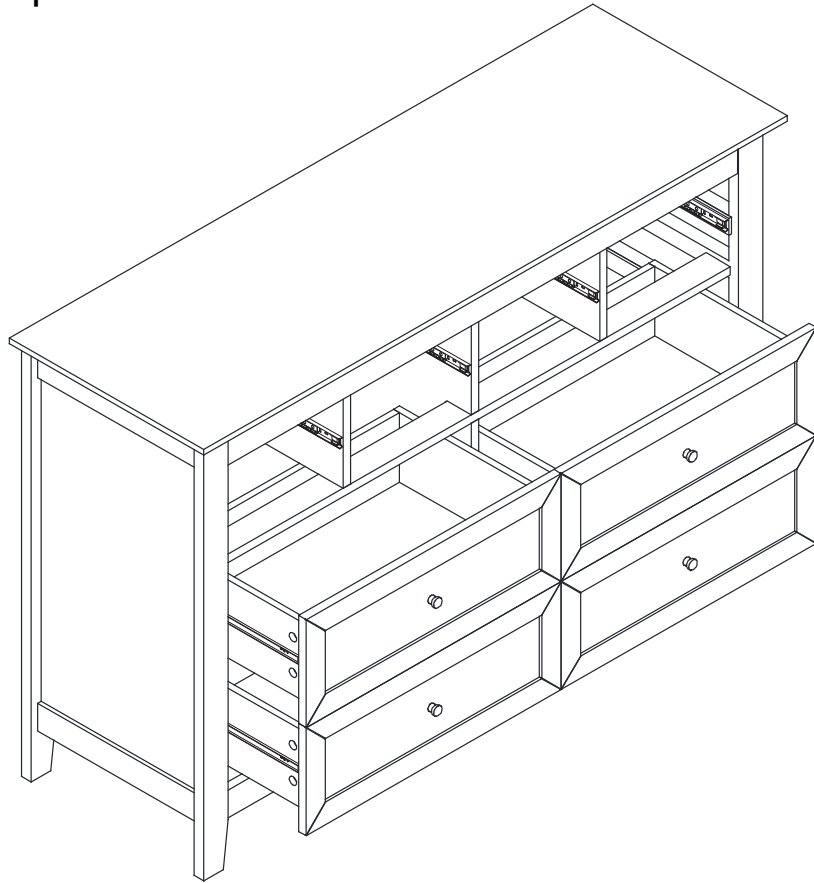


- D  20pcs
- F  20pcs

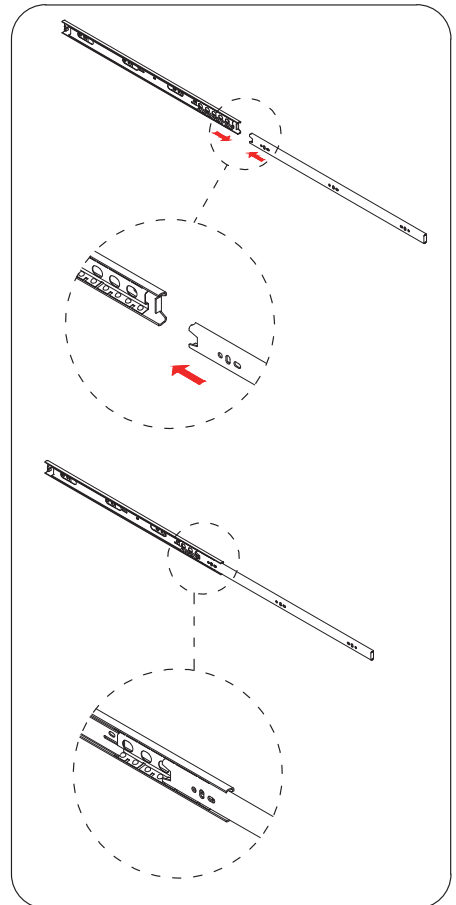
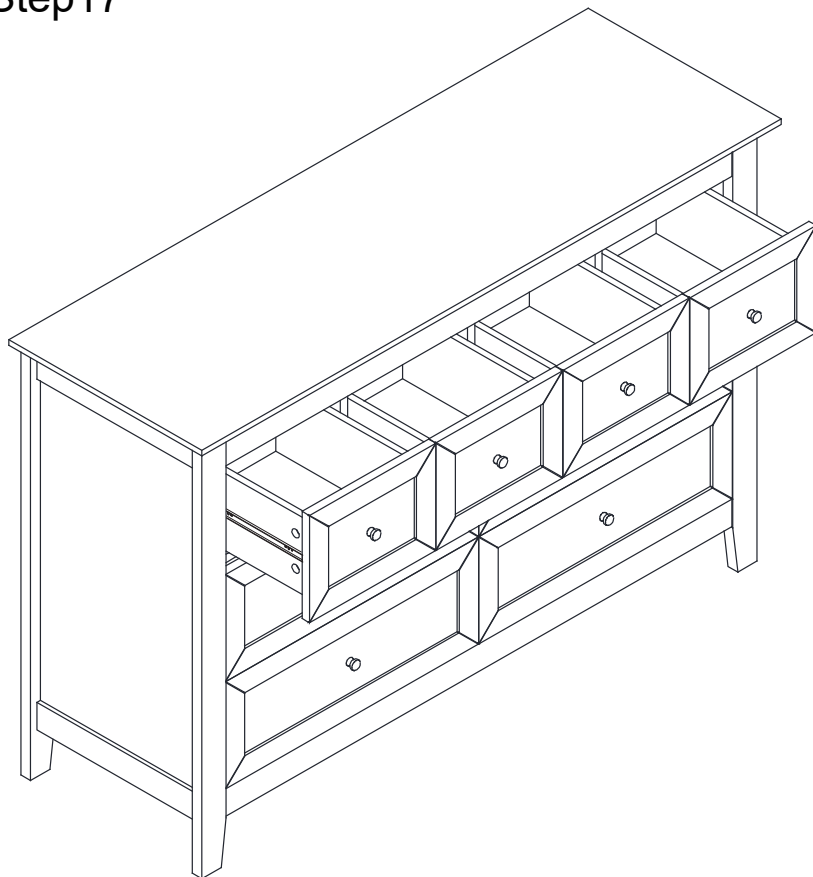
Step15



Step16

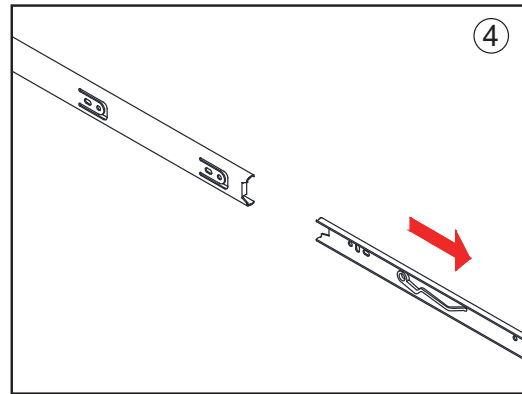
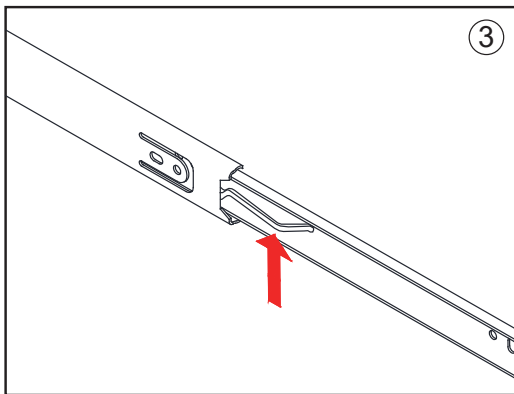
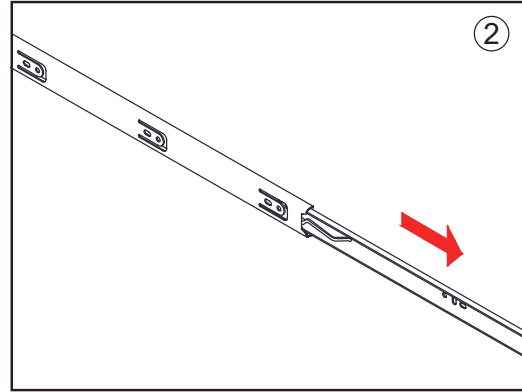
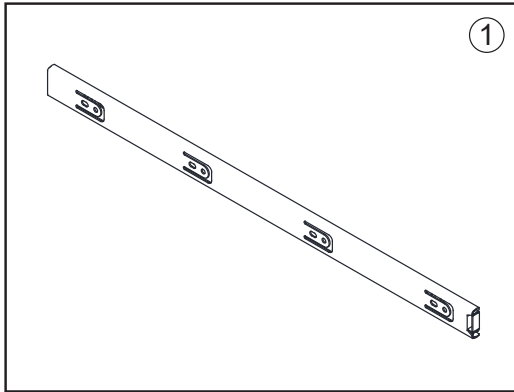


Step17

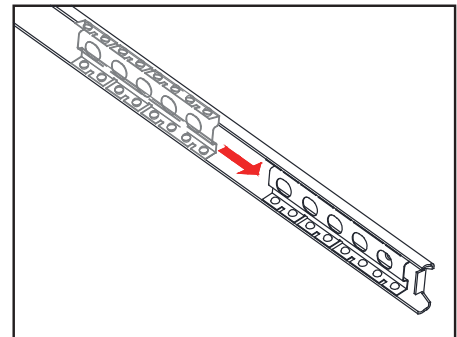
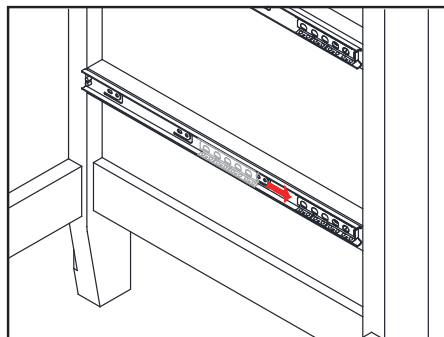


Details of Installing the Drawer

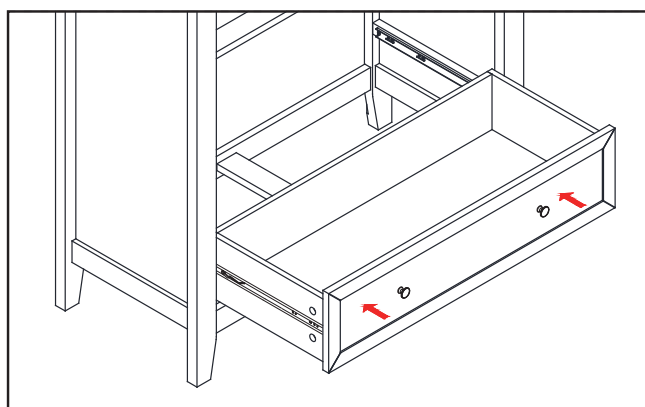
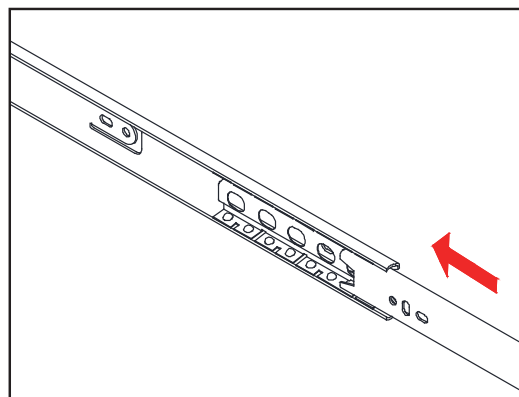
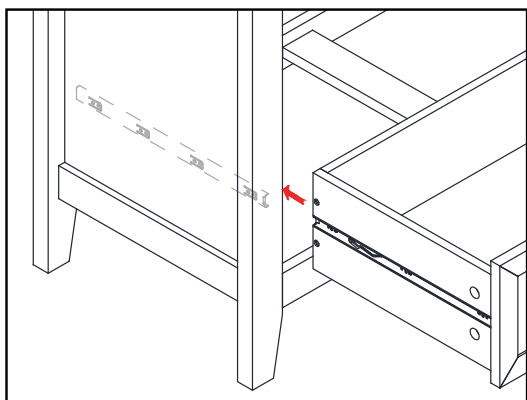
Steps for disassembly runner: move out the inside part to the end, press the plastic upward and pull out until the runner to separate.



Ensure that the runners on the cabinet are all the way to the front.

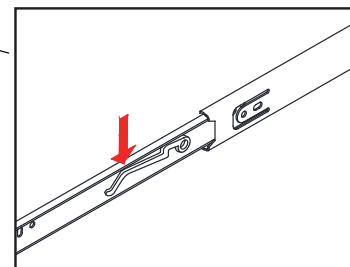
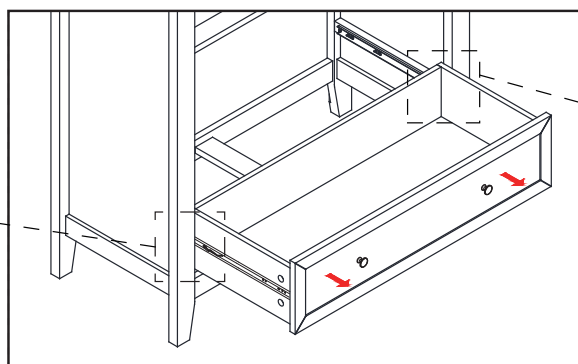
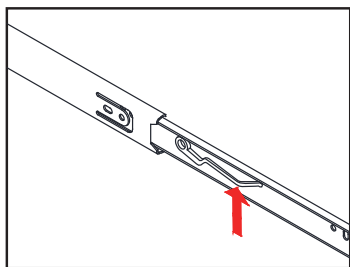


Hold the drawer horizontally and ensure the slide tracks are aligned to the runners. Push the drawer gently inwards until you hear a soft click.



WARNING: Any uneven force used, or any component is out of place upon installation of the drawer, will result in the damage of the rails.

In case of incorrect installation, gently press the plastic buttons (one side push up the other side push down) to detach the slide track and pull out the drawer.



IMPORTANT - READ CAREFULLY - RETAIN FOR FUTURE REFERENCE

Safety Information

All assembly fixings should be tightened properly and care should be taken that no fittings are loose. Regular tightening of the bolts is recommended to extend the lifespan of the product. Please follow all the instructions when assembling the product and do not use power tools when building.

Return Information

If you have any problems with the item just email us at info@noaandnani.co.uk and we can resolve it for you, our technical team will be able to assist in helping. If you have any parts that are damaged we can replace them for you. If you do need to return the item for some reason just email and request an RMA number and fill in the form on the next page and we can arrange the return of the goods.

Assembly Information

We understand that self assembly furniture can be a pain but we try and make it as easy as possible for anyone to build, if you have found a problem with the assembly of the product or with the assembly instructions or you have comments on how we would improve them, we would love to hear from you. Just contact us either by email at productadvice@noaandnani.co.uk or via Live Chat on our website noaandnani.co.uk

Related Items

We have a matching range of items that compliment this product, just head to noaandnani.co.uk for the full selection.

NÖA & NANI

FAMILY FURNITURE



noaandnani.co.uk