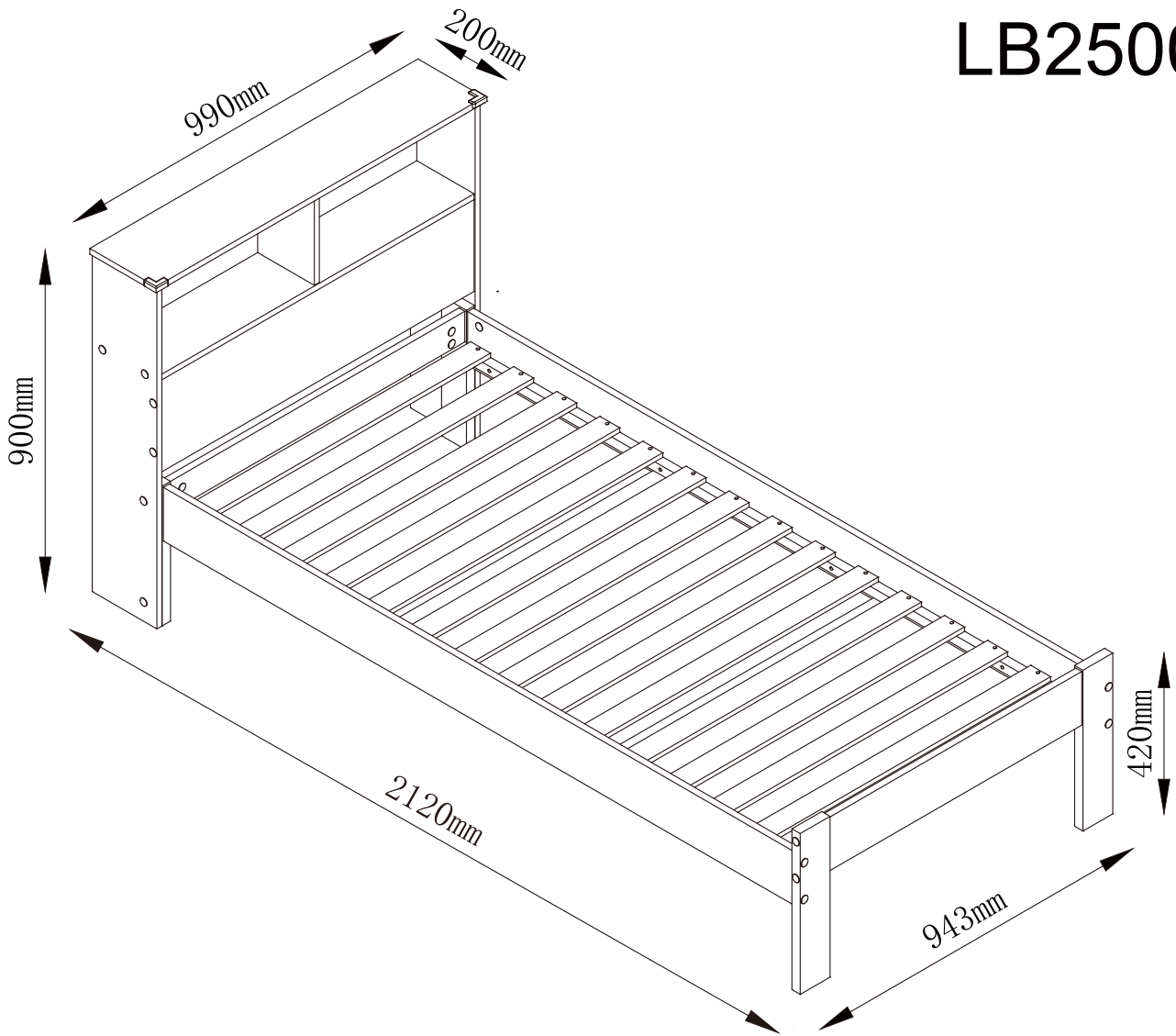
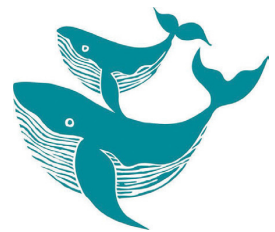


LB25001

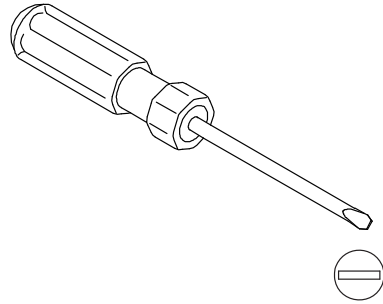
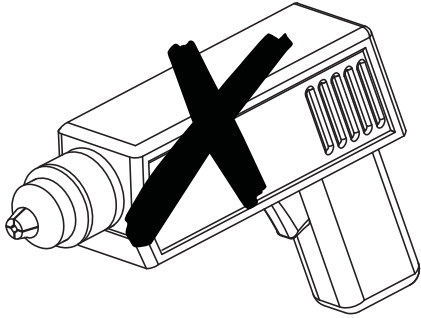


**NÖA & NANI**

FAMILY FURNITURE



**JONI SINGLE BED  
ASSEMBLY INSTRUCTIONS**

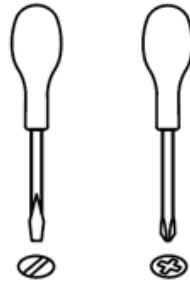


**WARNING**



**DO NOT USE  
POWERTOOLS TO  
ASSEMBLE THIS  
PRODUCT**

### Tools Required



**CAUTION:** Do not use tools other than those required, as this can damage your new item.

### NOTE

- Please check you have all hardware before assembling.
- If you are missing any hardware, please contact the store of purchase.
- Please ensure you have the name of the item, required hardware part and quantity.
- Please retain your receipt as proof of purchase to validate your warranty.

### CAUTION

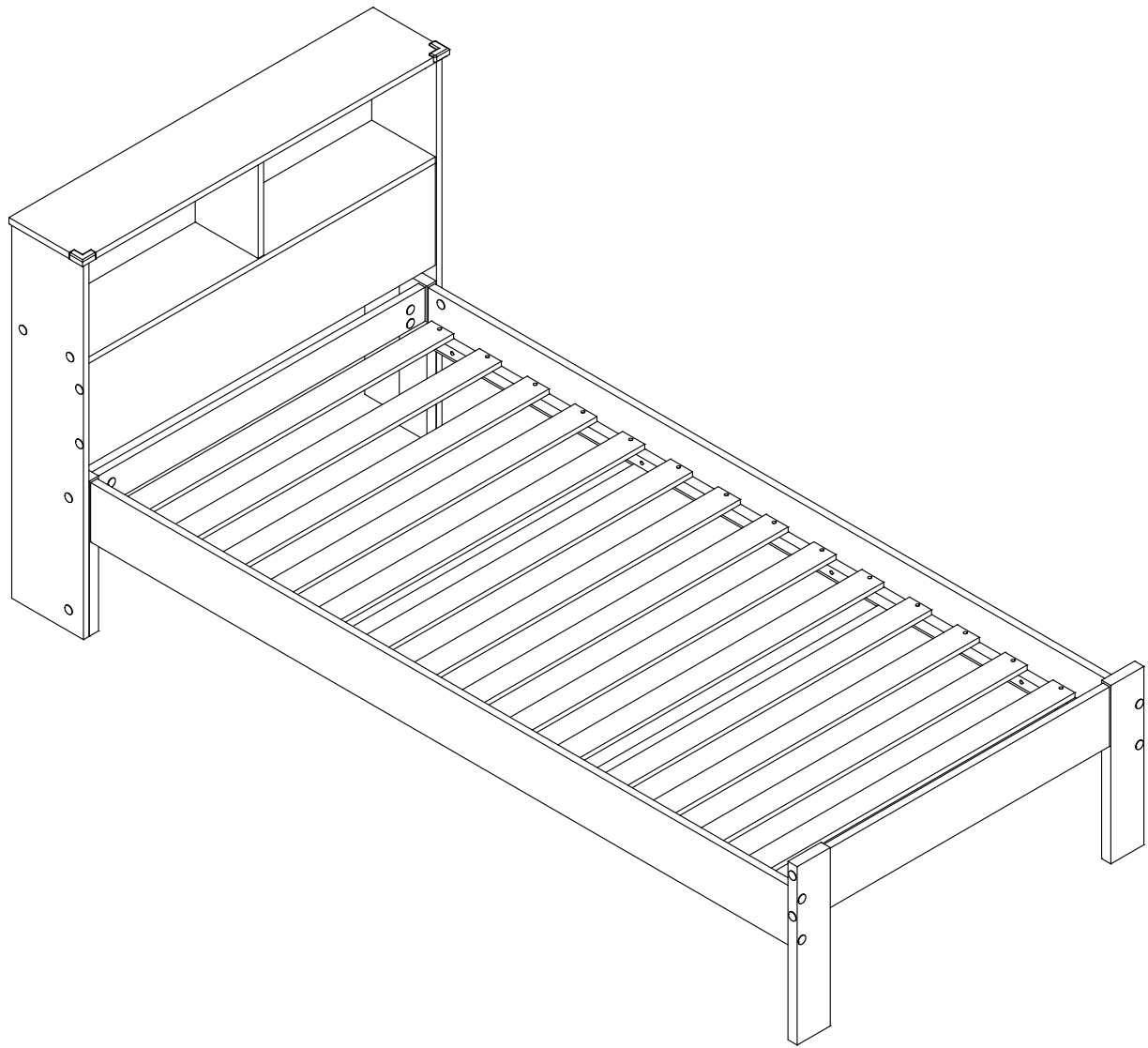
- Do not tighten screws before all screws are in the right place.
- Do not use this product unless all bolts, screws and knobs are firmly secured.
- Check that all bolts, screws and knobs are securely tightened at least every 4 months.

### WARNING

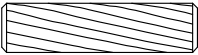
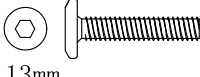
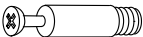
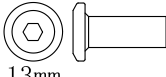
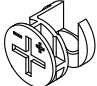

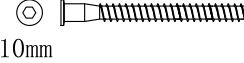



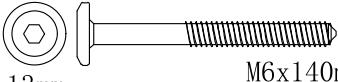
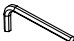
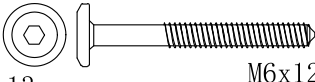
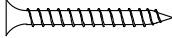
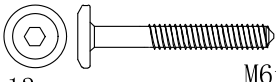
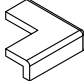
- If parts are missing, broken, damaged or worn stop using the product until all repairs are made using manufacturer authorised parts.
- Failure to follow these warnings could result in serious injury.

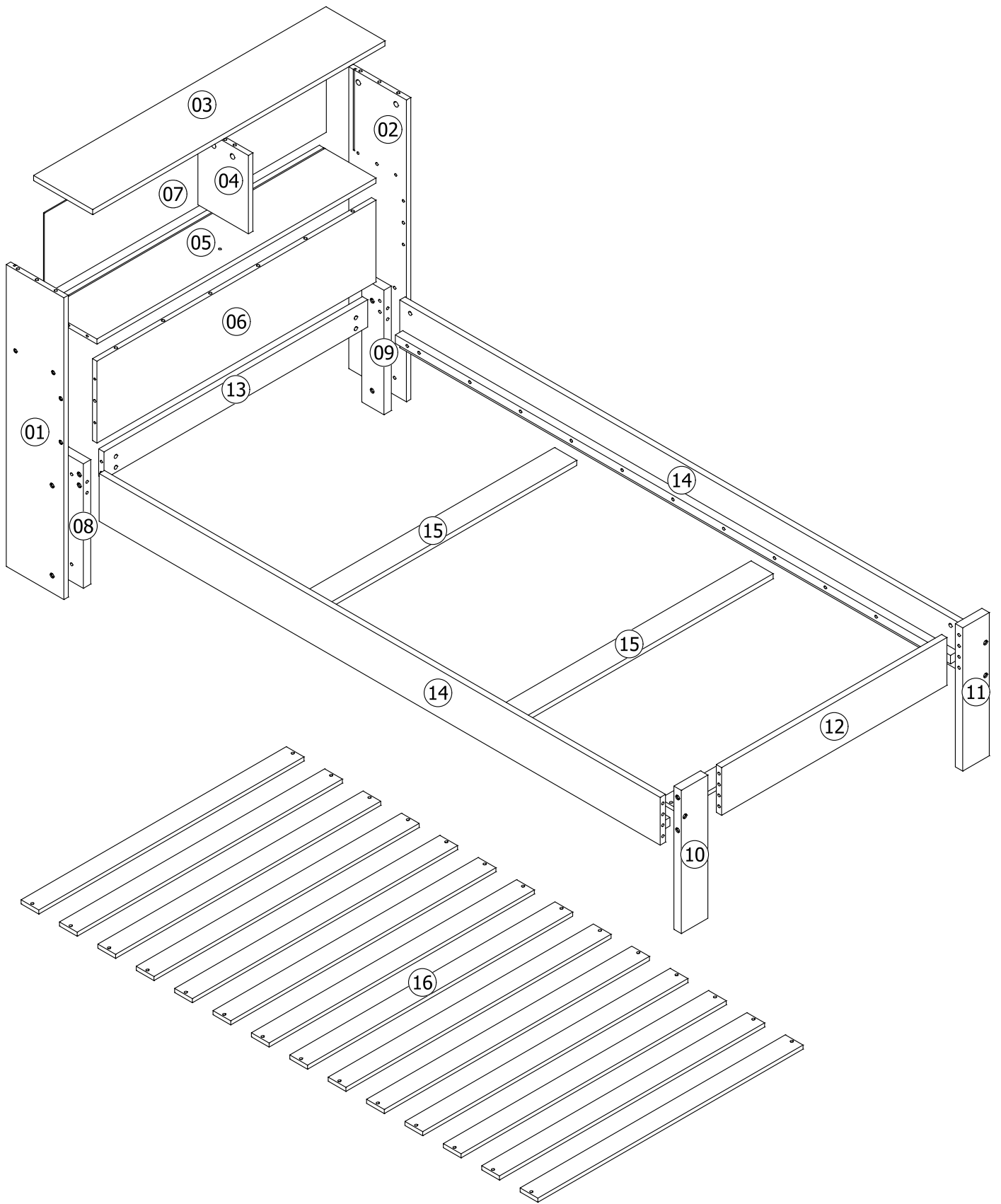
### DANGER

- CHILDREN MUST BE SUPERVISED.

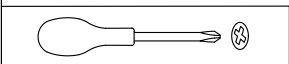
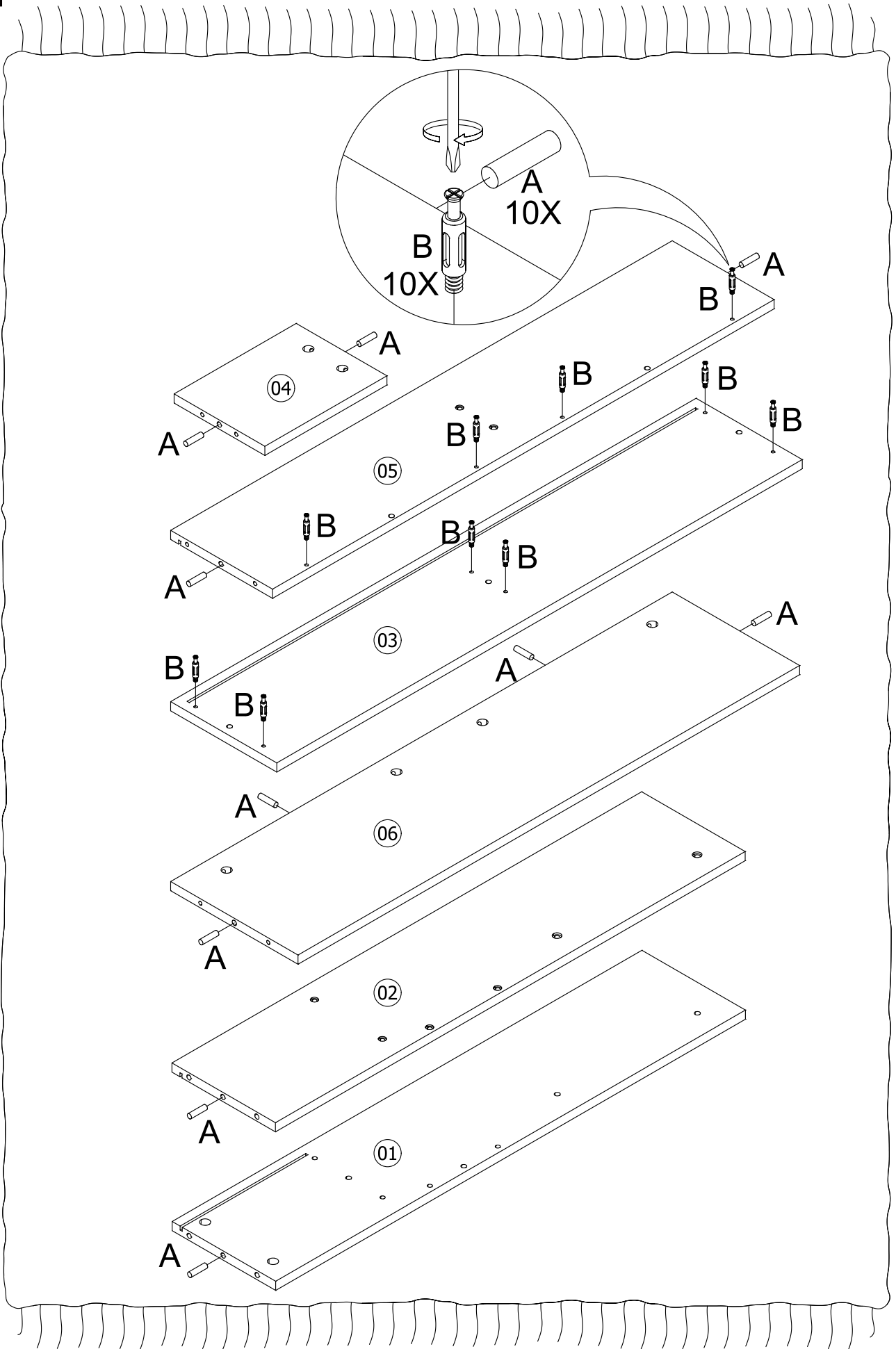



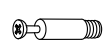
## HARDWARE

A		Ø8x30mm	22	J	 13mm	M6x30mm	04
B		M6x40mm	18	K	 13mm	M8x20mm	04
C		Ø15x11mm	18	L		65x20x2mm	04
D	 10mm	Ø7x50mm	10	M		50x15x2mm	04
E		Ø10x12mm	16	N		Ø20mm	38
F	 13mm	M6x140mm	04	P		4mm	02
G	 13mm	M6x120mm	04	Q	 8mm	Ø3.5x30mm	30
H	 13mm	M6x70mm	08	R		40x40x15mm	02

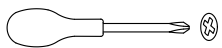
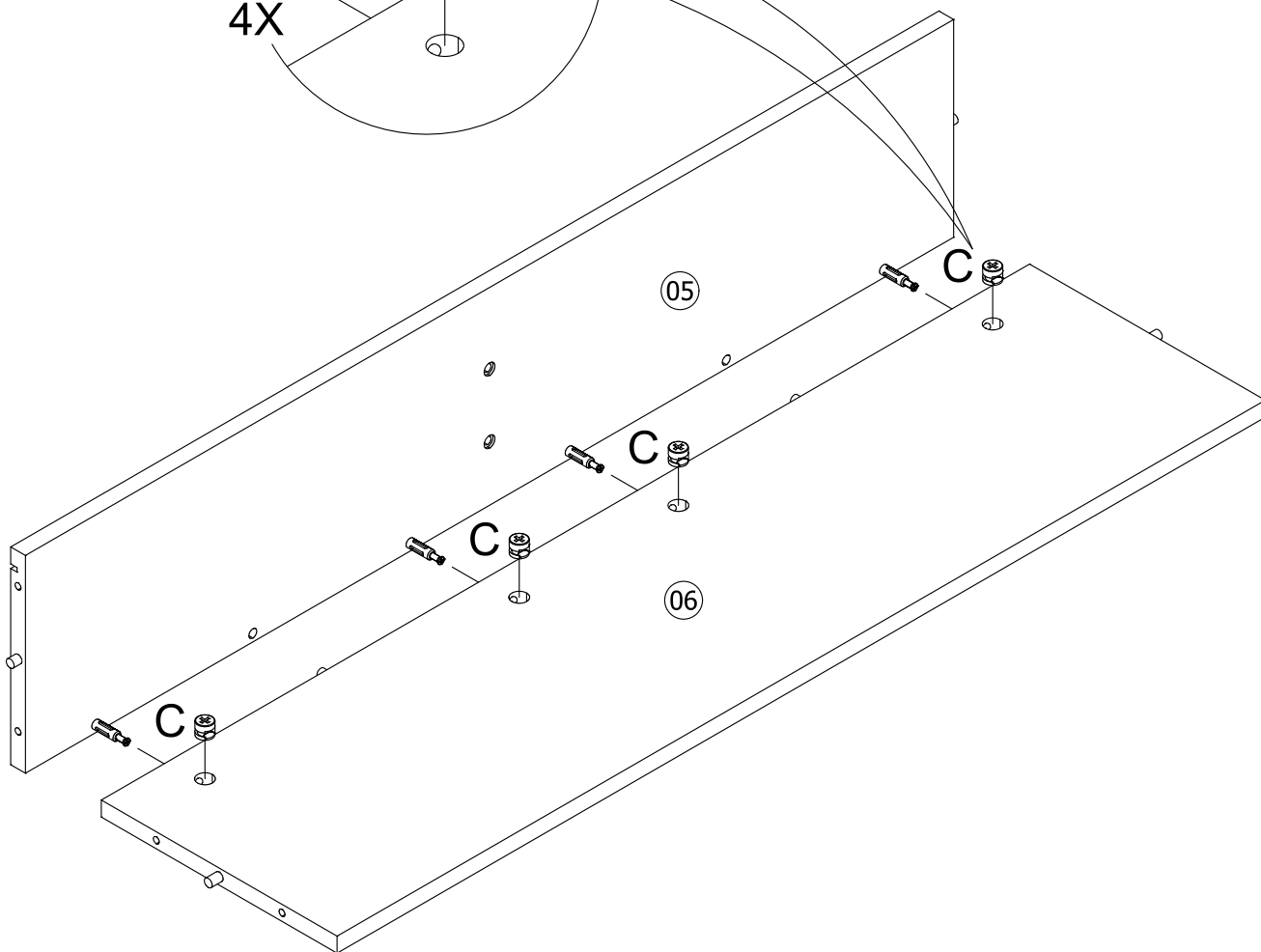
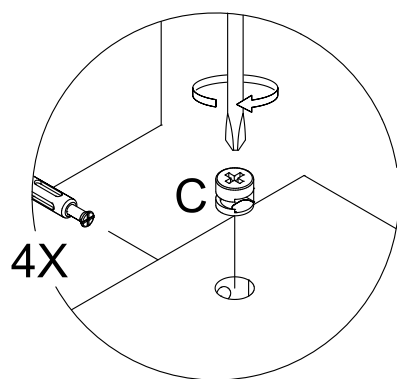
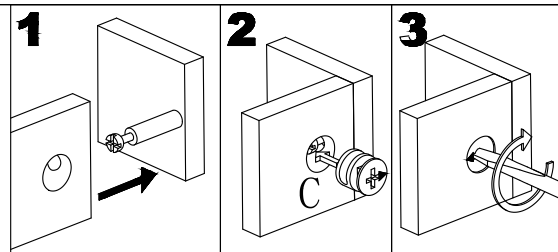


# 01



A		08x30mm	10
B		M6x40mm	10

# 02



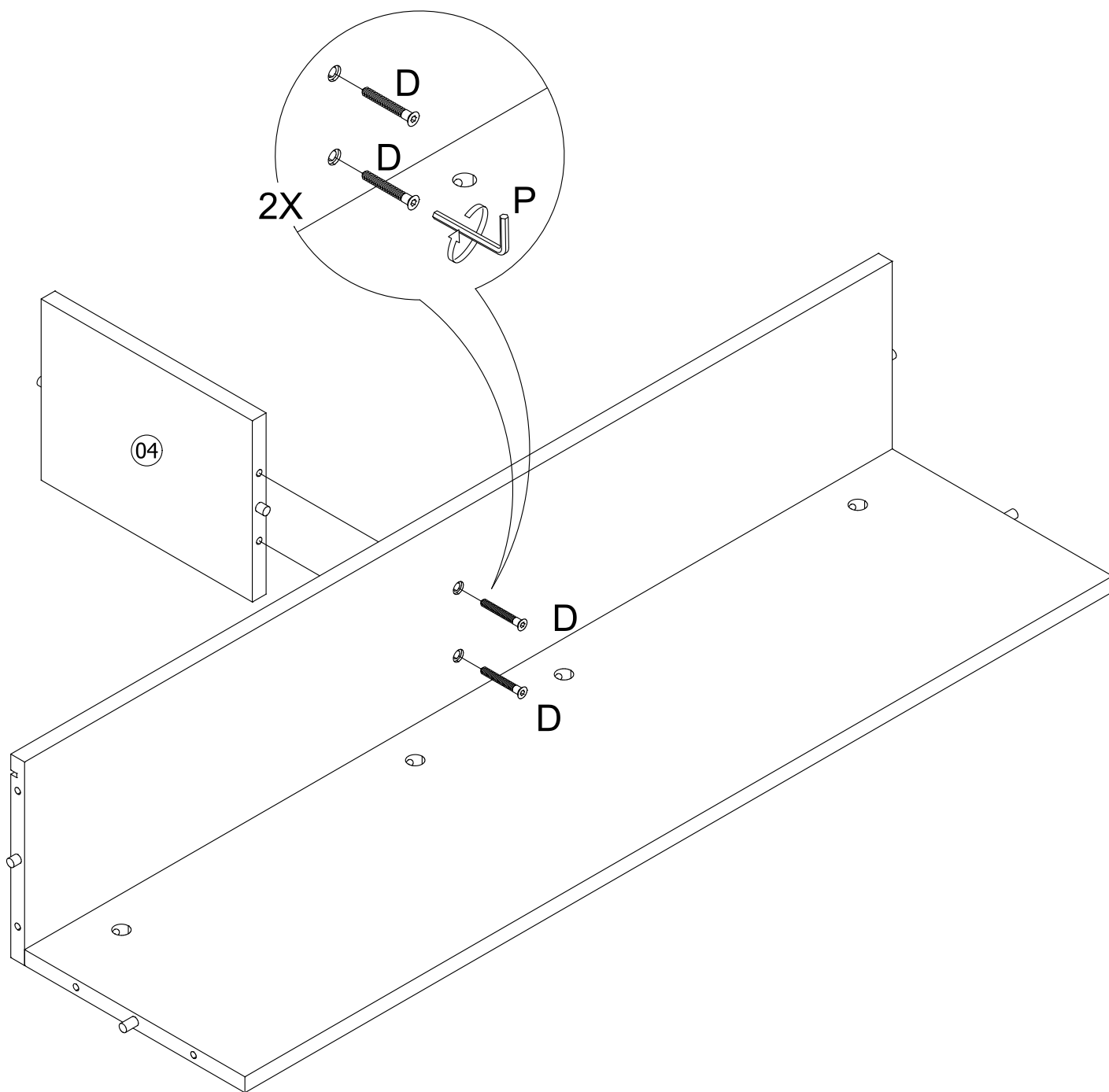
C

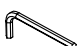


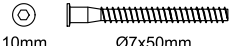
Ø15x11mm

04

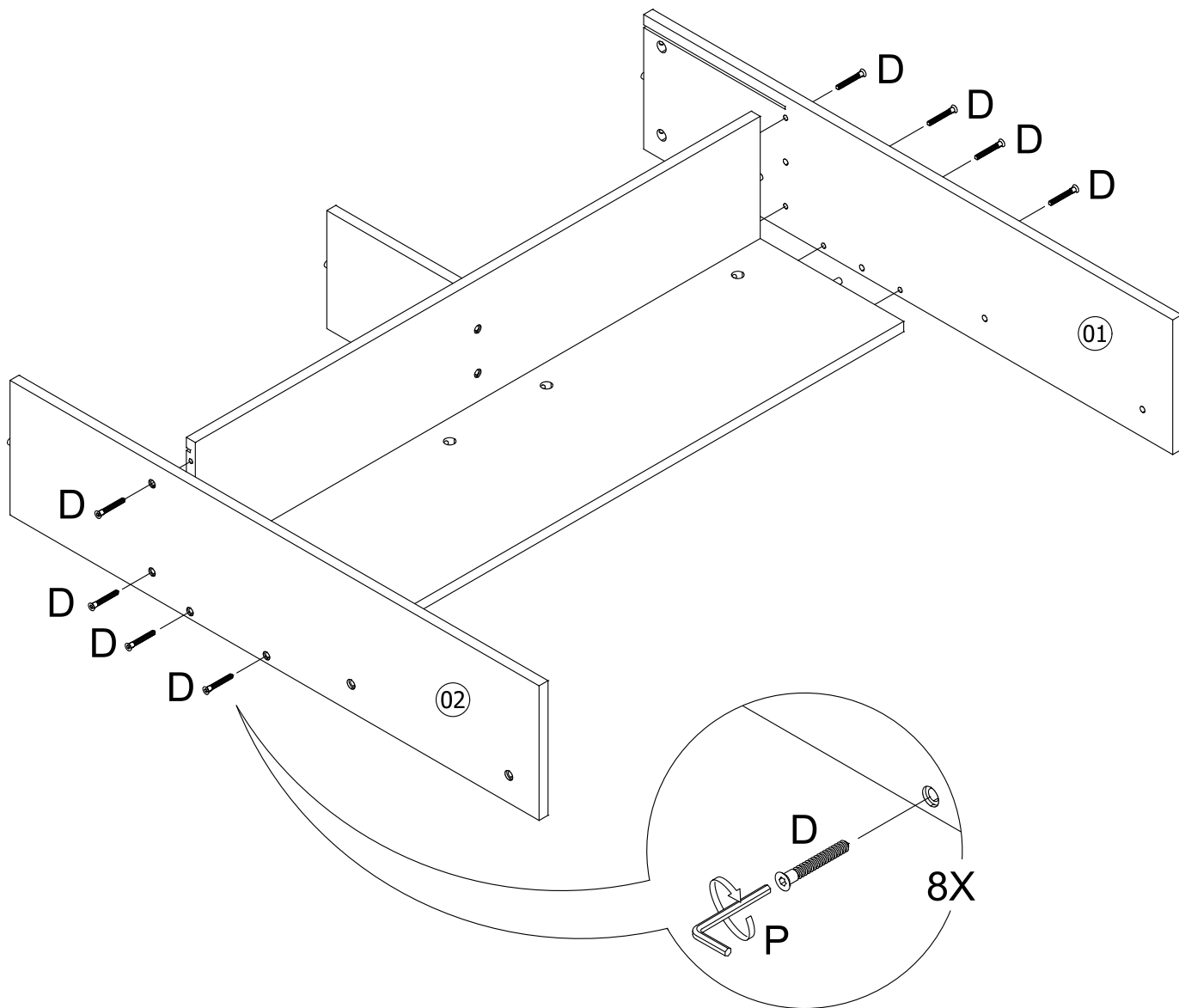
# 03

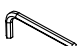


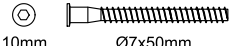
P		4mm	01
---	---	-----	----

D		10mm Ø7x50mm	02
---	---	-----------------	----

# 04



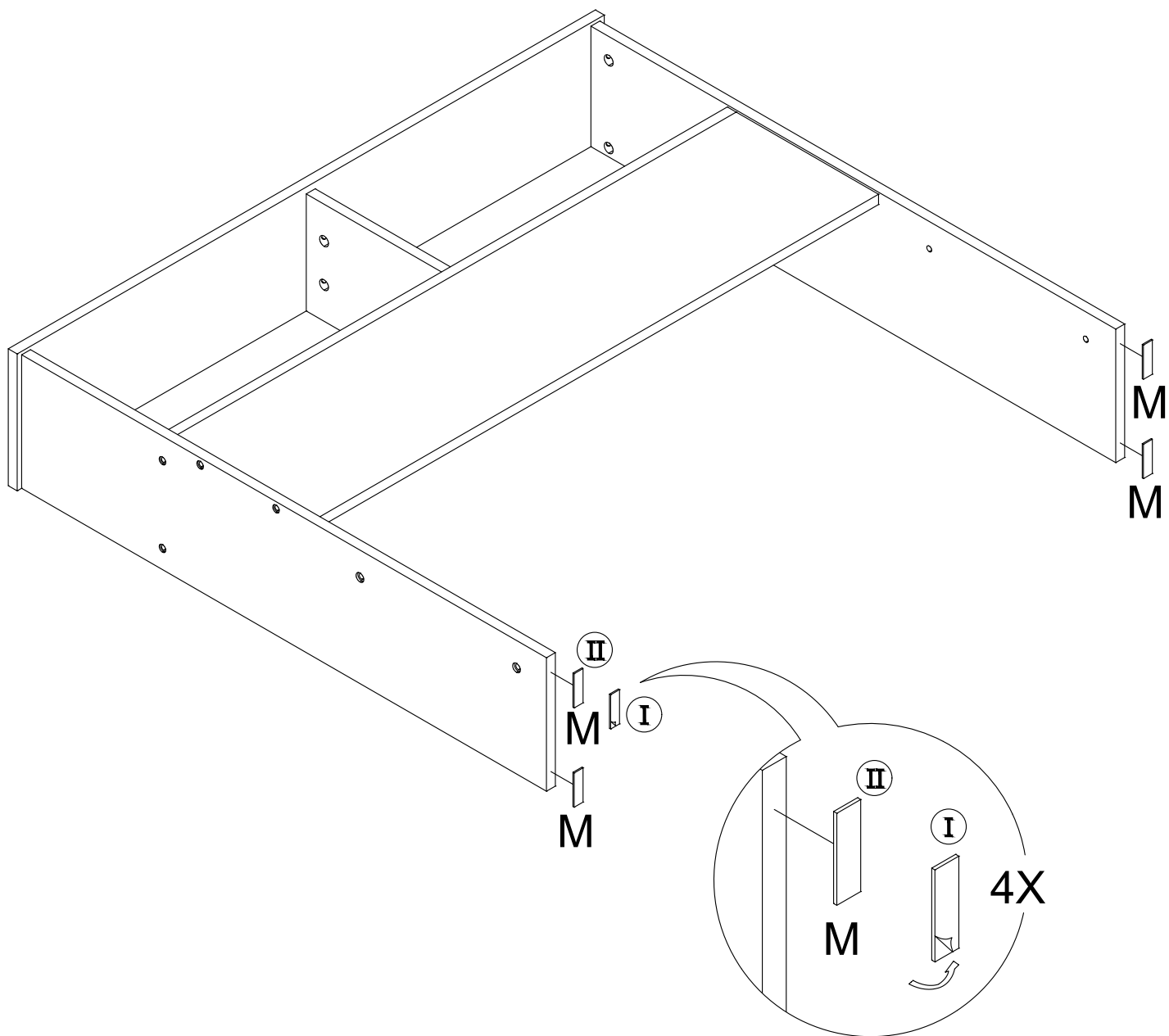
P		4mm	01
---	---	-----	----

D		10mm Ø7x50mm	08
---	---	-----------------	----

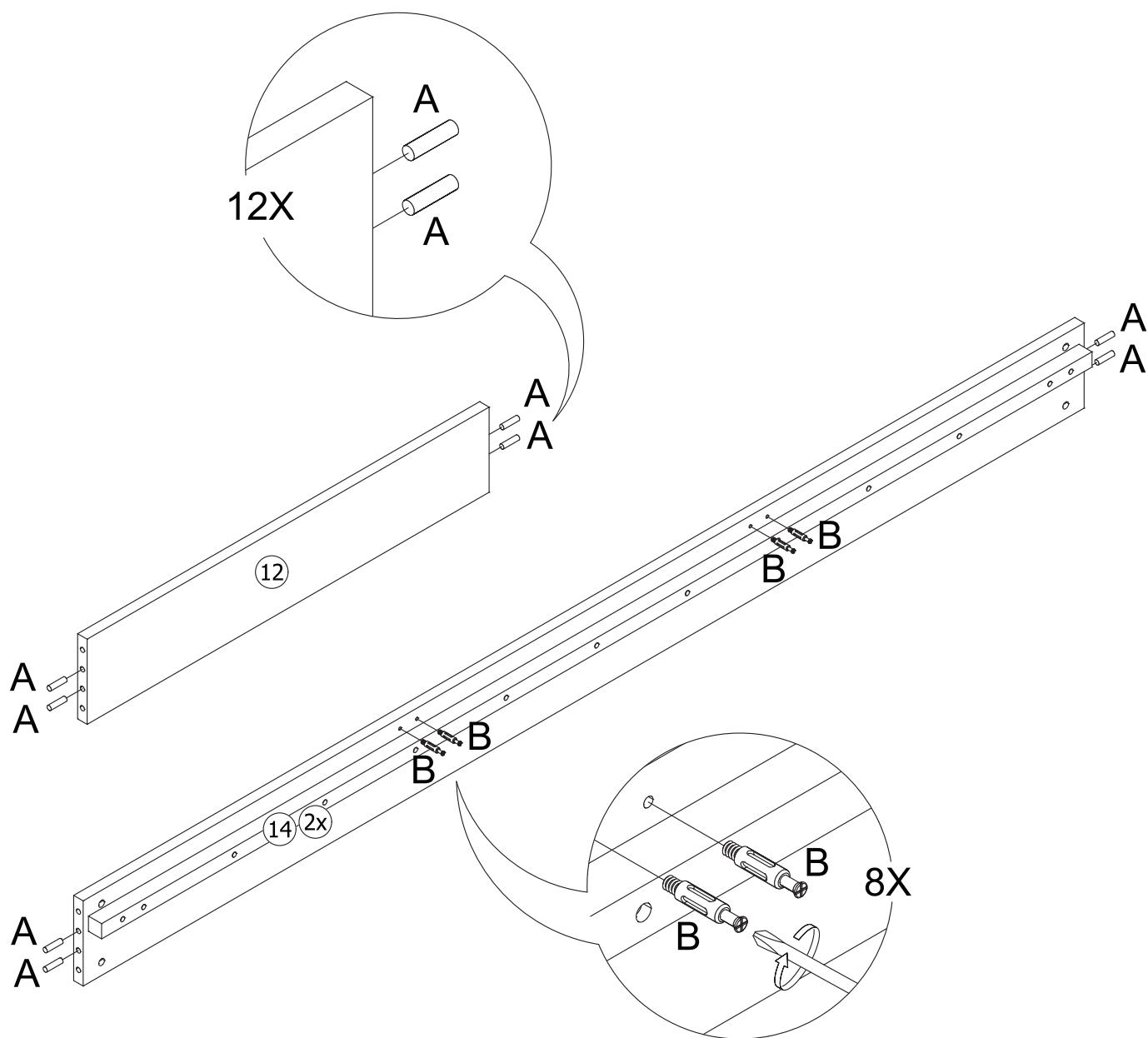



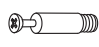


07

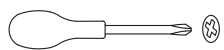
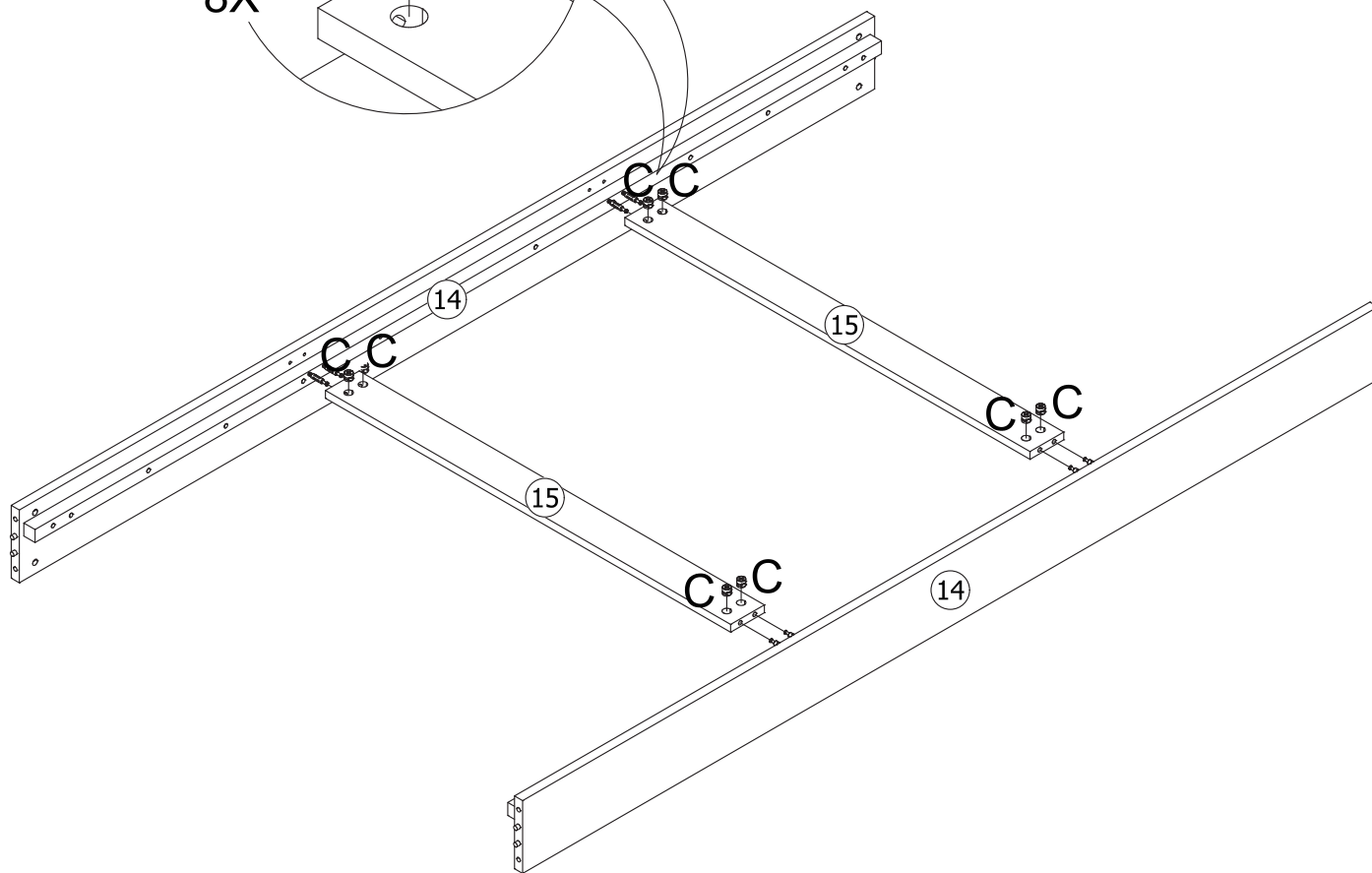
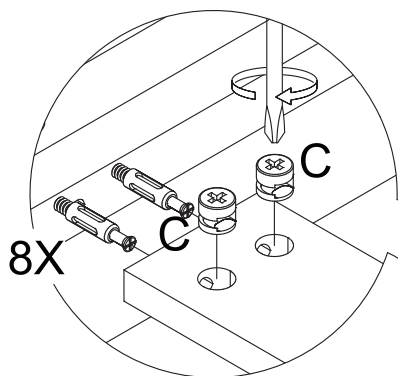
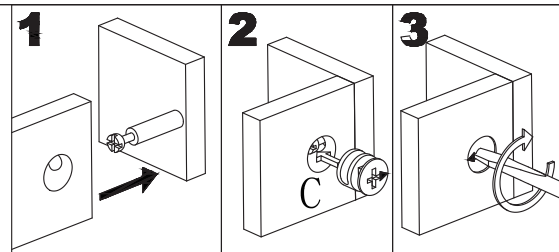


M		50X15X2mm	04
---	---	-----------	----



A		Ø8x30mm	12
B		M6x40mm	08

09



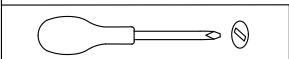
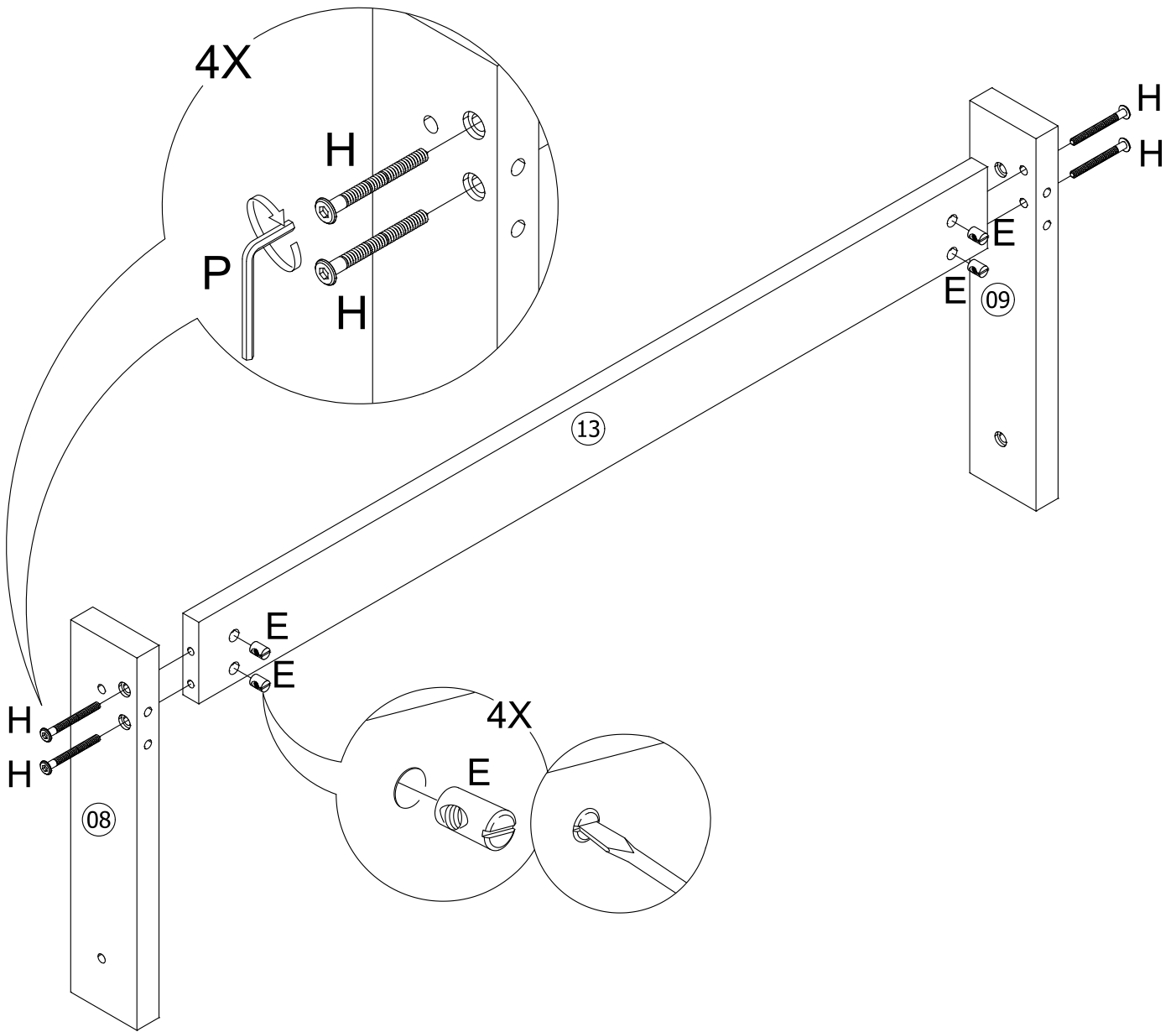
C



Ø15x11mm

08

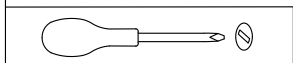
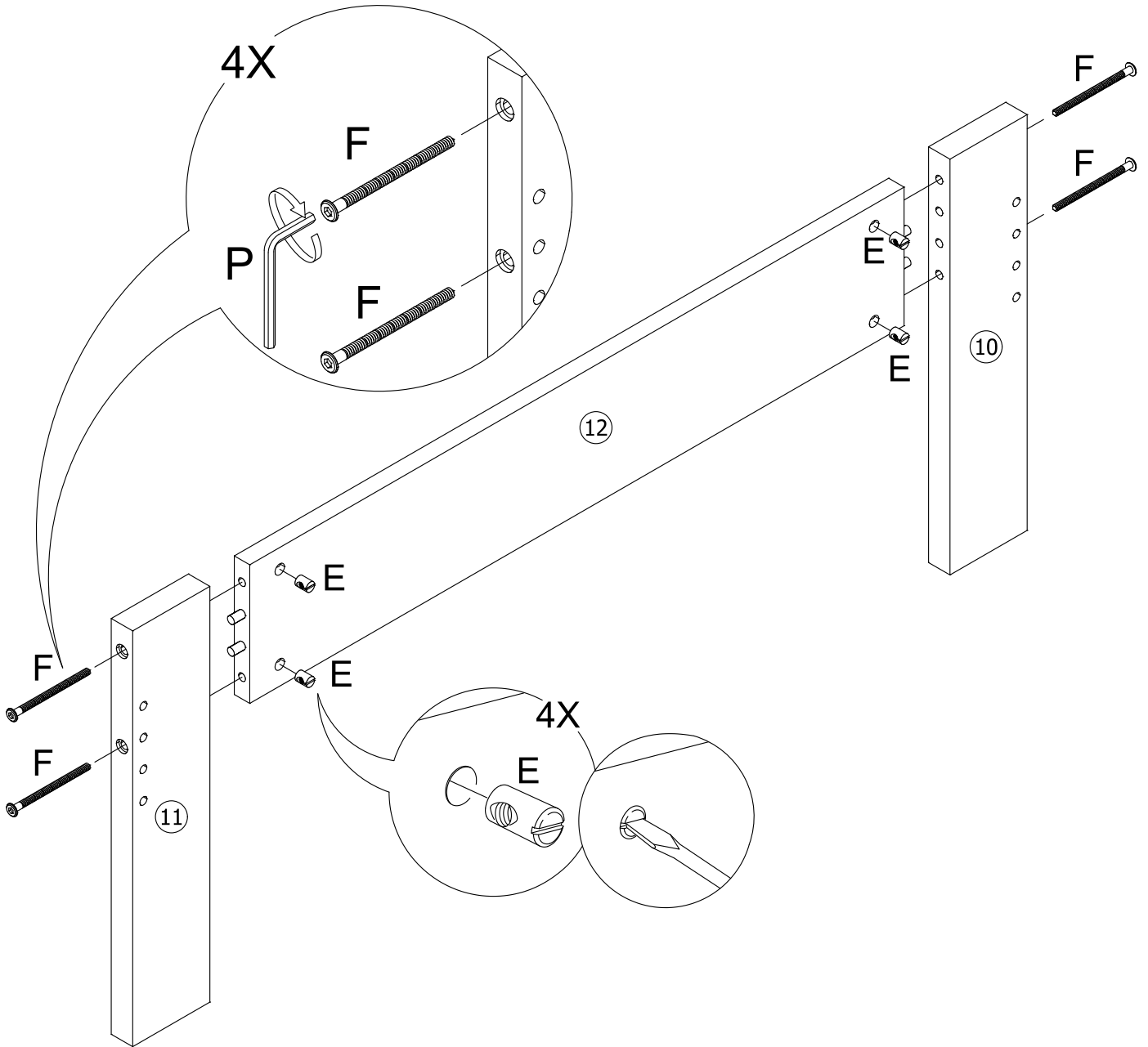
# 10

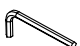




P		4mm	01
---	--	-----	----

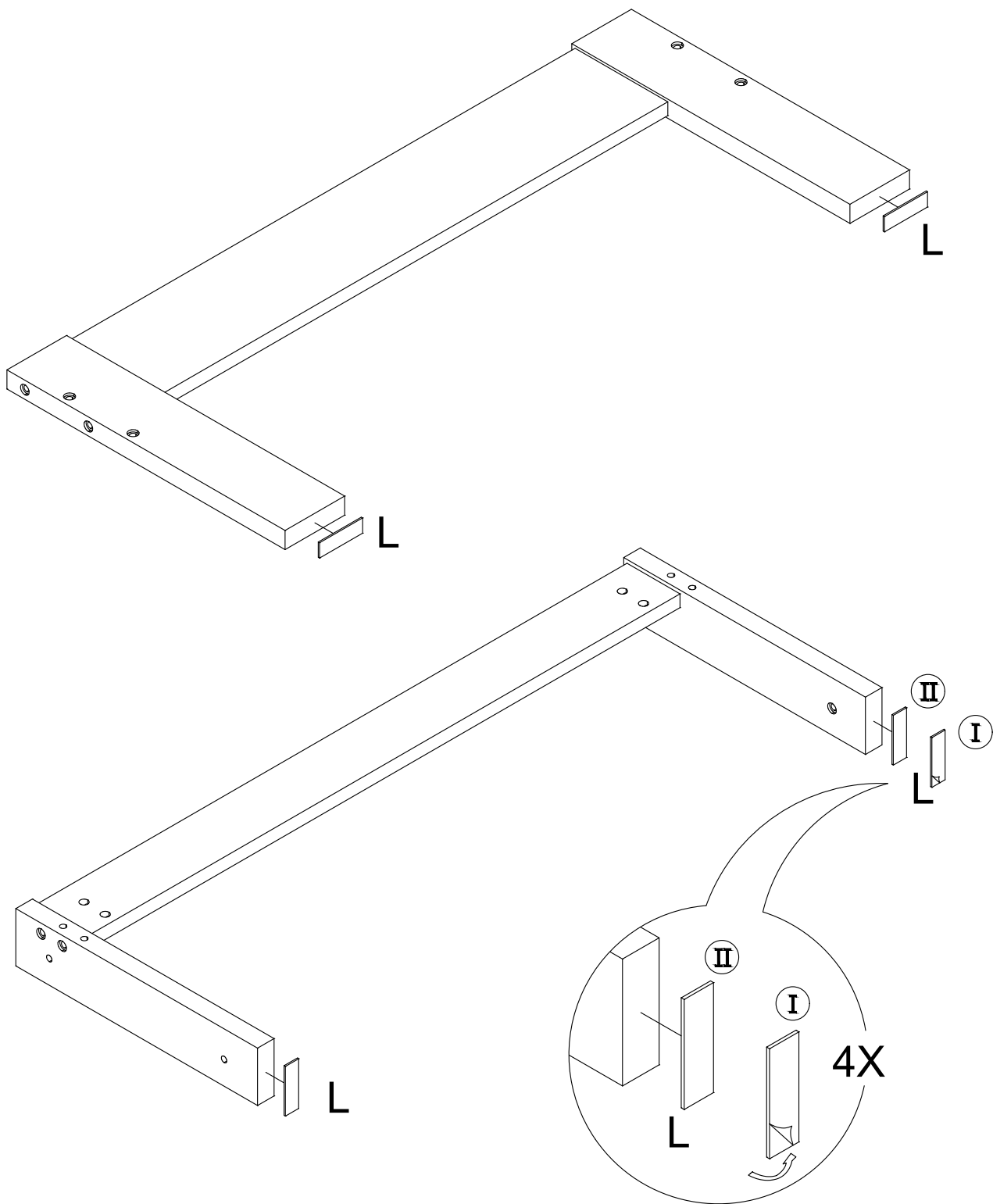
H		M6x70mm 13mm	04
E		Ø10x12mm	04


# 11



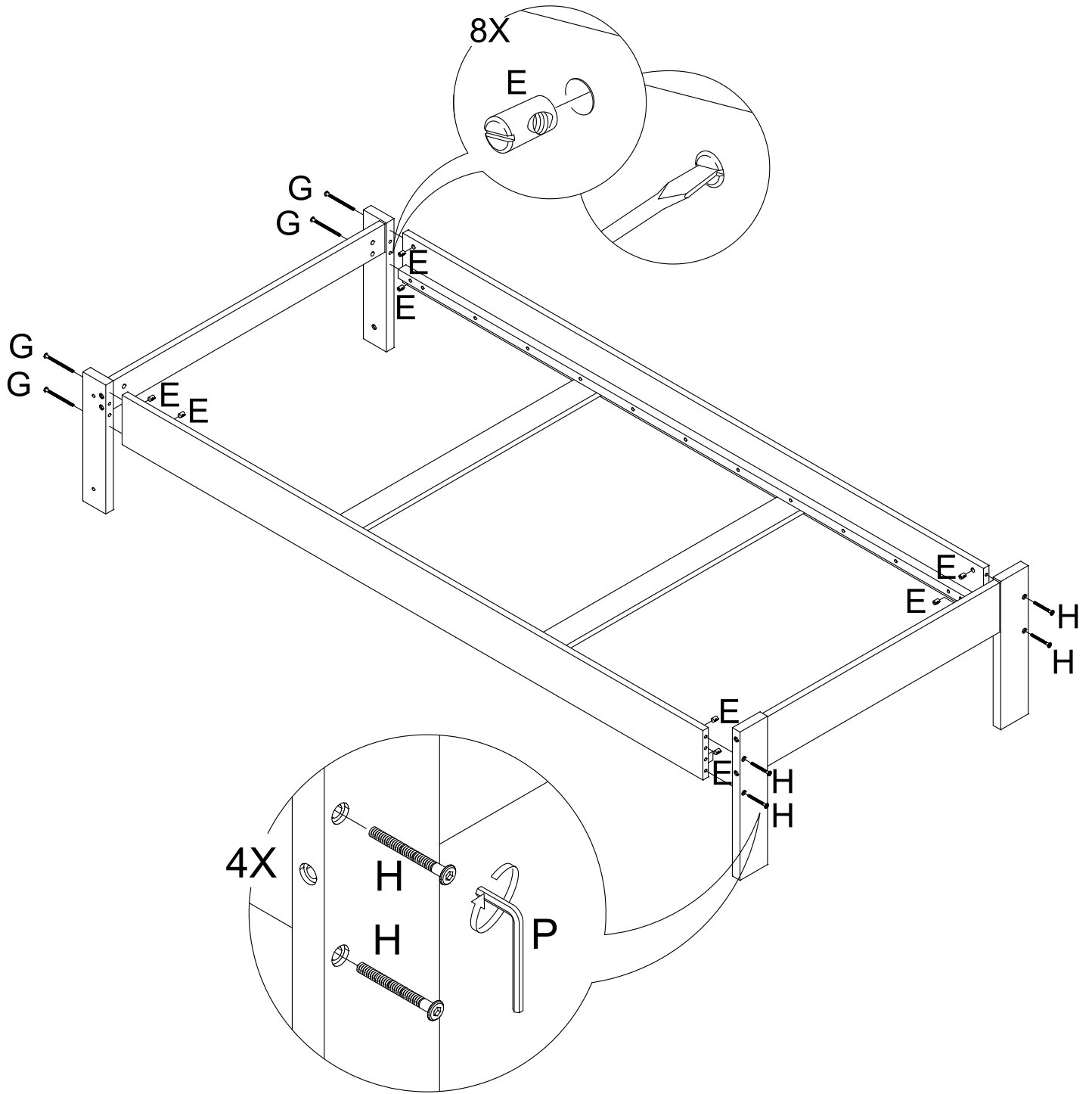
P		4mm	01
---	---	-----	----

F		M6x140mm	04
E		Ø10x12mm	04



L		65X20X2mm	04
---	---	-----------	----

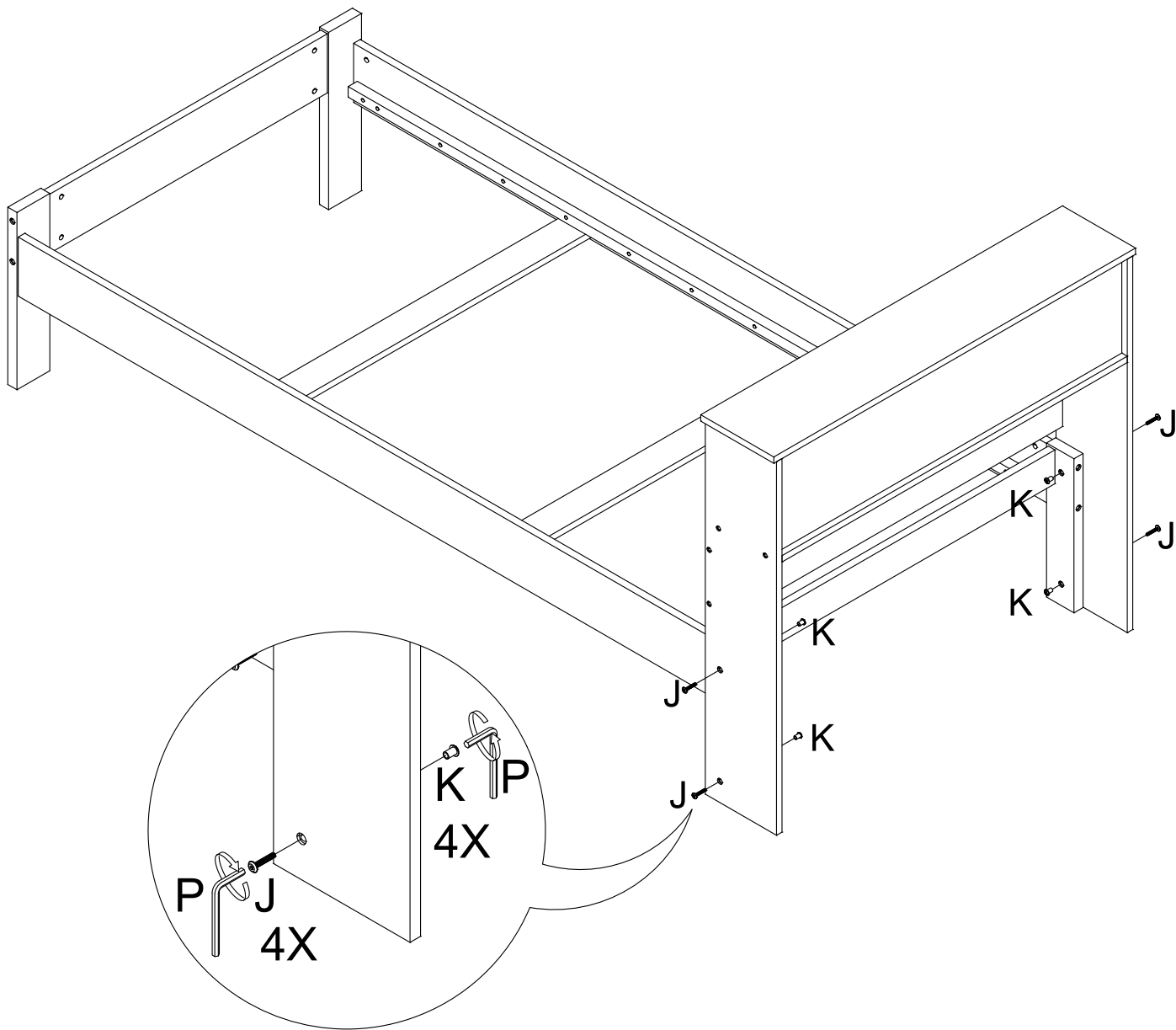
# 13

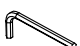


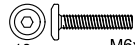

P		4mm	01
---	--	-----	----

H		M6x70mm 13mm	04
G		M6x120mm 13mm	04
E		Ø10x12mm	08

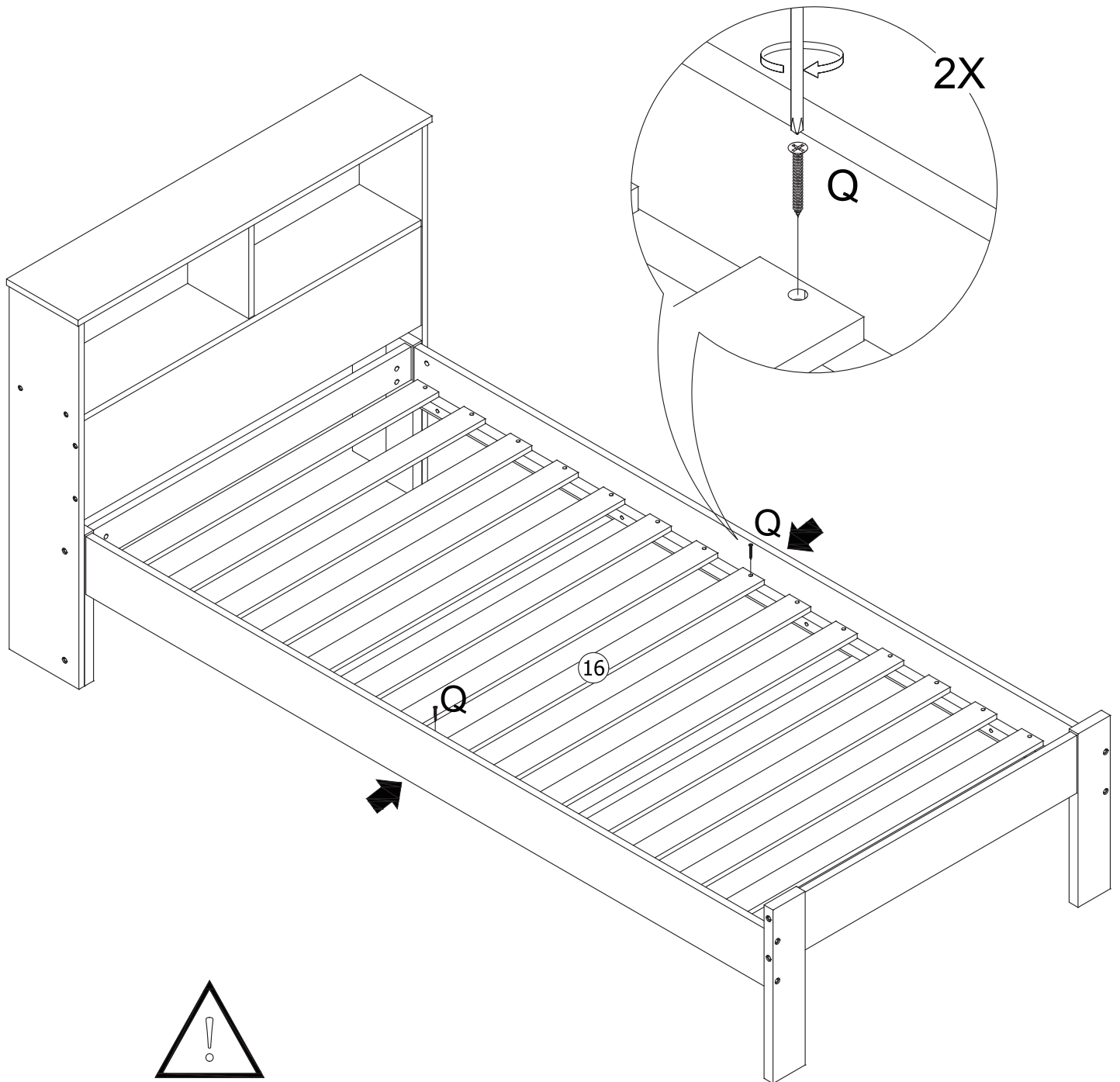
# 14



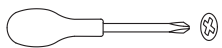
P		4mm	02
---	---	-----	----

J		04
K		04

# 15

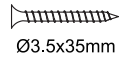


**WARNING:**  
Press the middle of bed sides  
and tighten the screw first.



Q

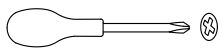
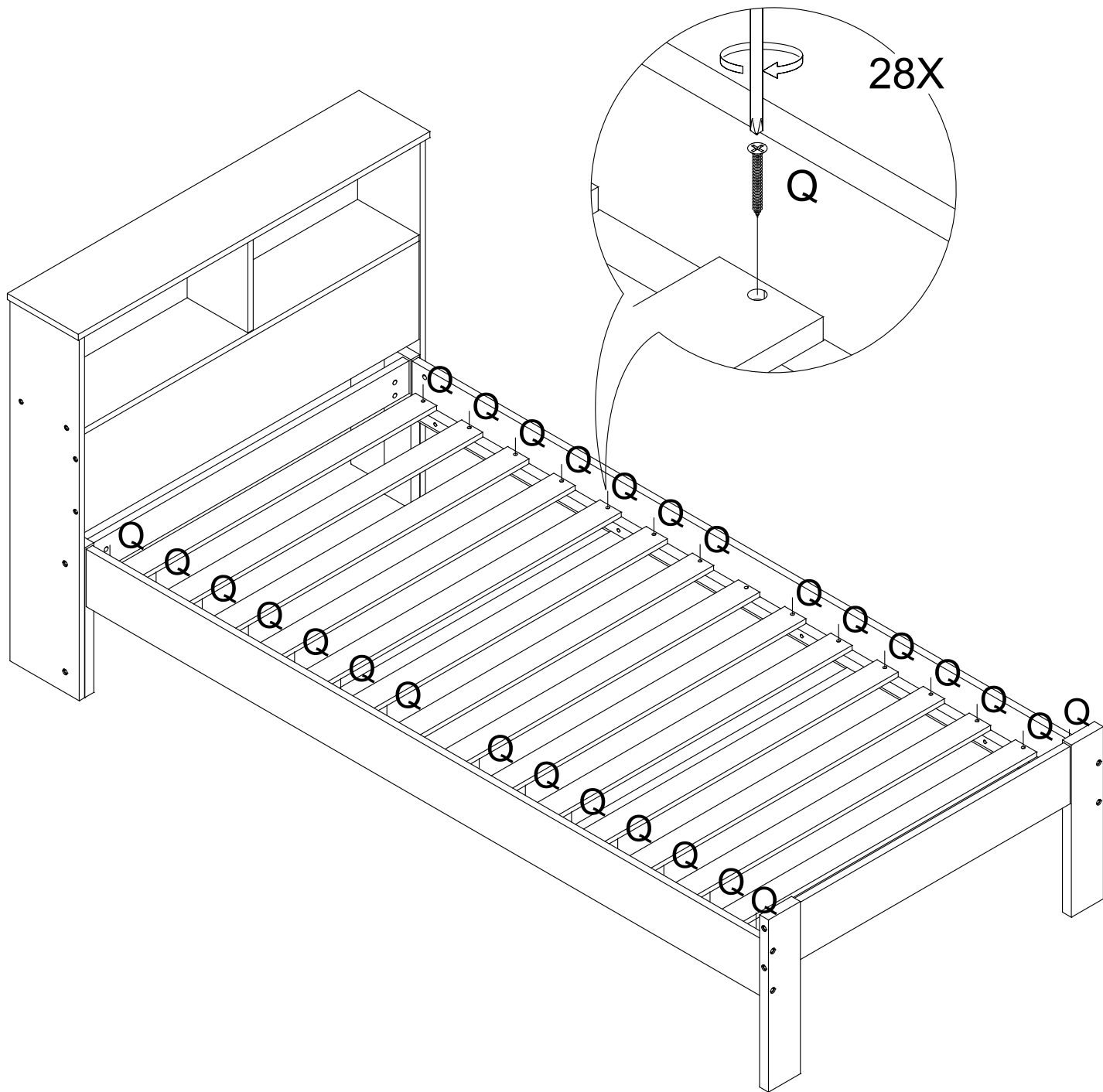
8mm



Ø3.5x35mm

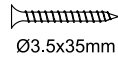
02

# 16

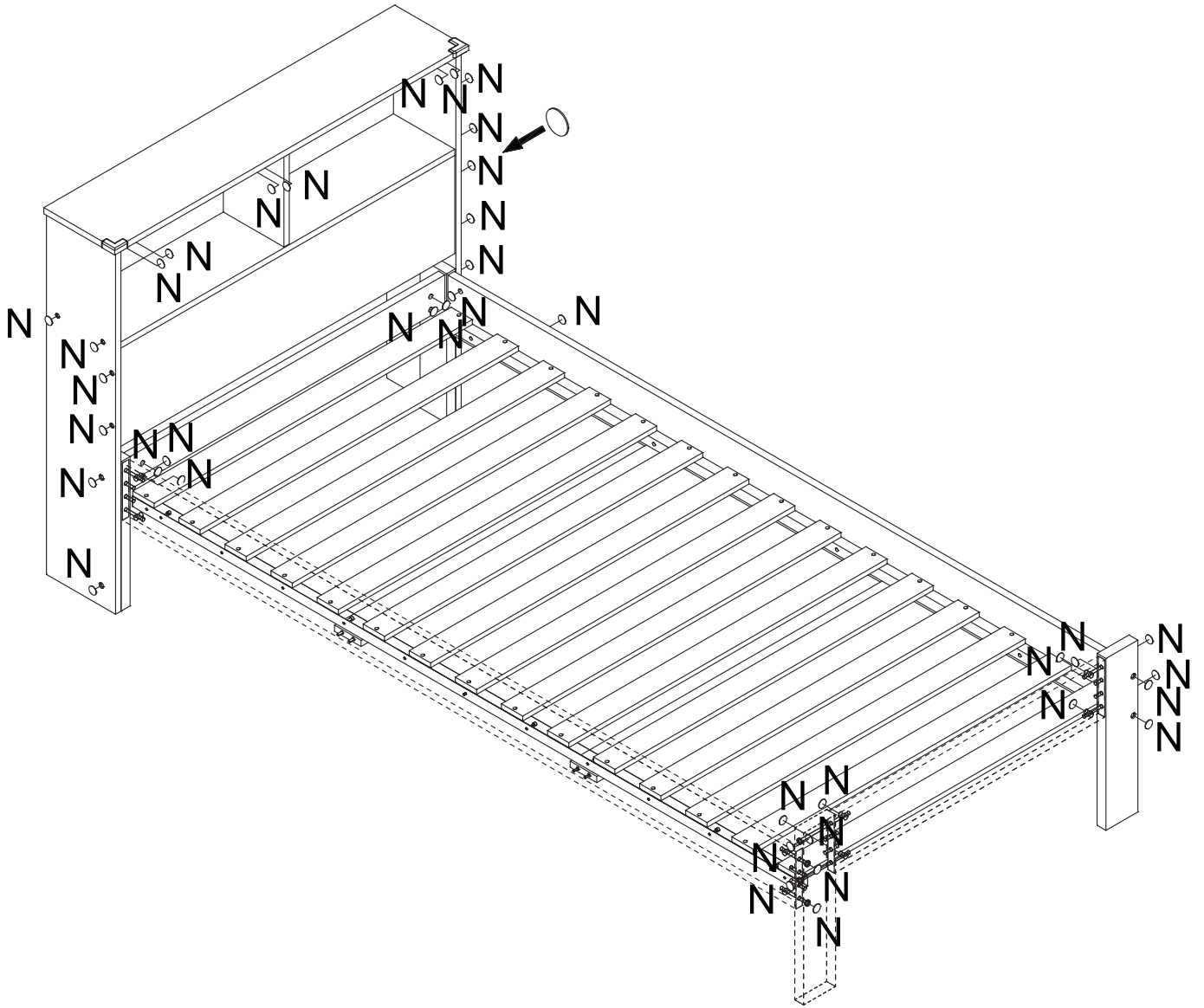


Q

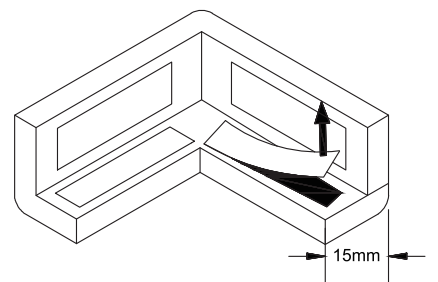
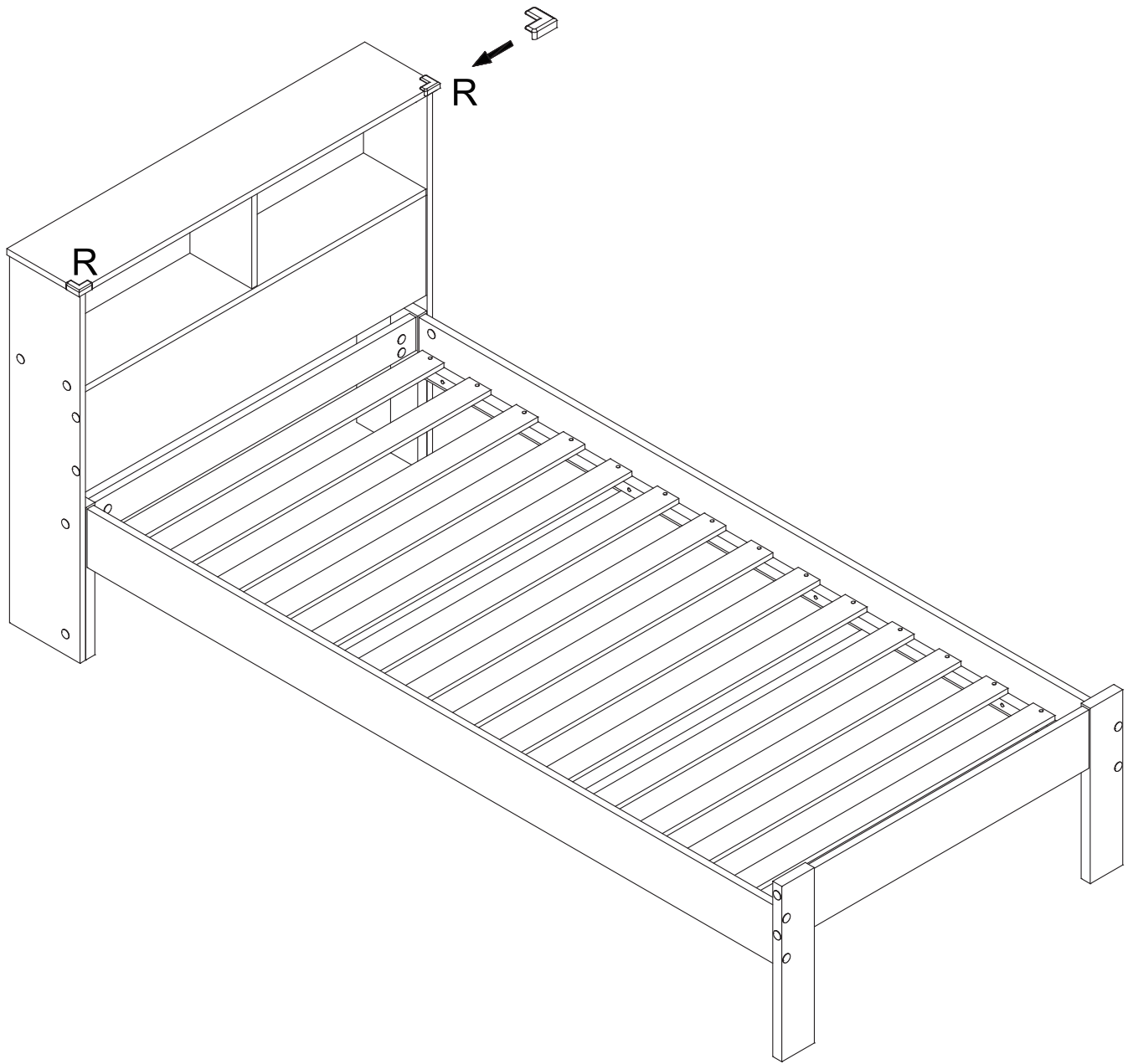
8mm



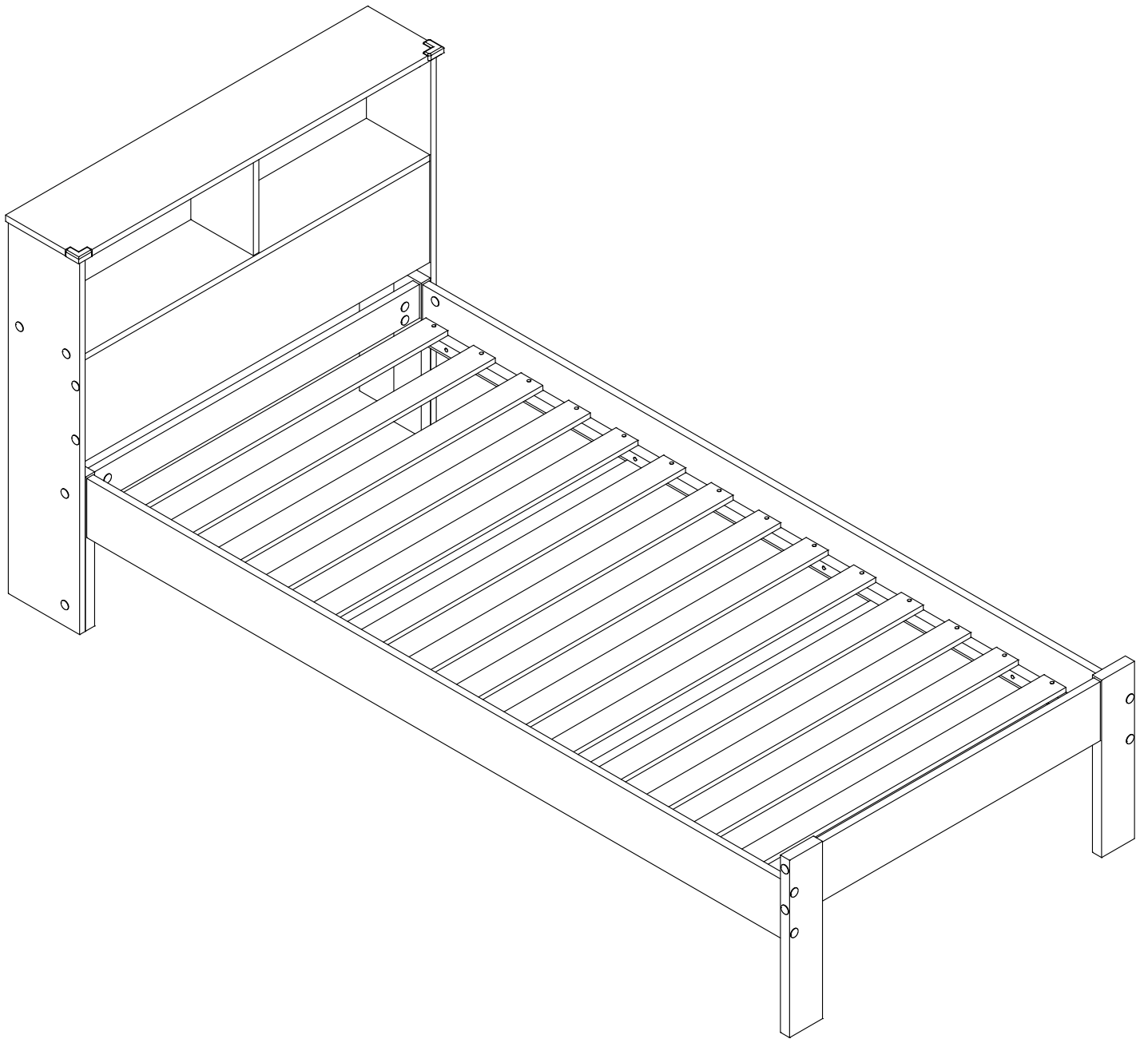
28



# 18



R		40x40x15mm	02
---	--	------------	----



## **IMPORTANT - READ CAREFULLY - RETAIN FOR FUTURE REFERENCE**

### **Safety Information**

All assembly fixings should be tightened properly and care should be taken that no fittings are loose. Regular tightening of the bolts is recommended to extend the lifespan of the product. Please follow all the instructions when assembling the product and do not use power tools when building.

**Warning:** The product should not be used if any structural part is broken or missing. If any part is missing or broken report it and we will replace, do not attempt to fix the item or purchase additional parts not included with the bed; this will invalidate the warranty.

### **Return Information**

If you have any problems with the item just email us at [info@noaandnani.co.uk](mailto:info@noaandnani.co.uk) and we can resolve it for you, our technical team will be able to assist in helping. If you have any parts that are damaged we can replace them for you. If you do need to return the item for some reason just email and request an RMA number .

### **Assembly Information**

We understand that self assembly furniture can be a pain but we try and make it as easy as possible for anyone to build, if you have found a problem with the assembly of the product or with the assembly instructions or you have comments on how we could improve them, we would love to hear from you. Just contact us either by email at [productadvice@noaandnani.co.uk](mailto:productadvice@noaandnani.co.uk) or via Live Chat on our website [noaandnani.co.uk](http://noaandnani.co.uk)

### **Related Items**

We have a matching range of items that compliment this product, just head to [noaandnani.co.uk](http://noaandnani.co.uk) for the full selection.

Any Questions or Issues Scan here for help



**NÖA & NANI**

FAMILY FURNITURE

