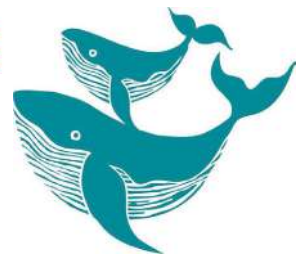
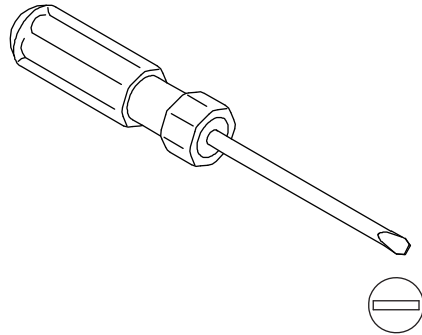
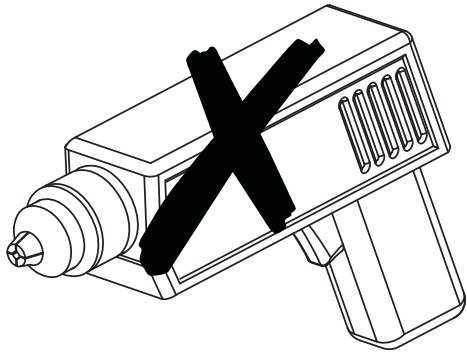


JZ18036

**NÖA & NANI**  
FAMILY FURNITURE

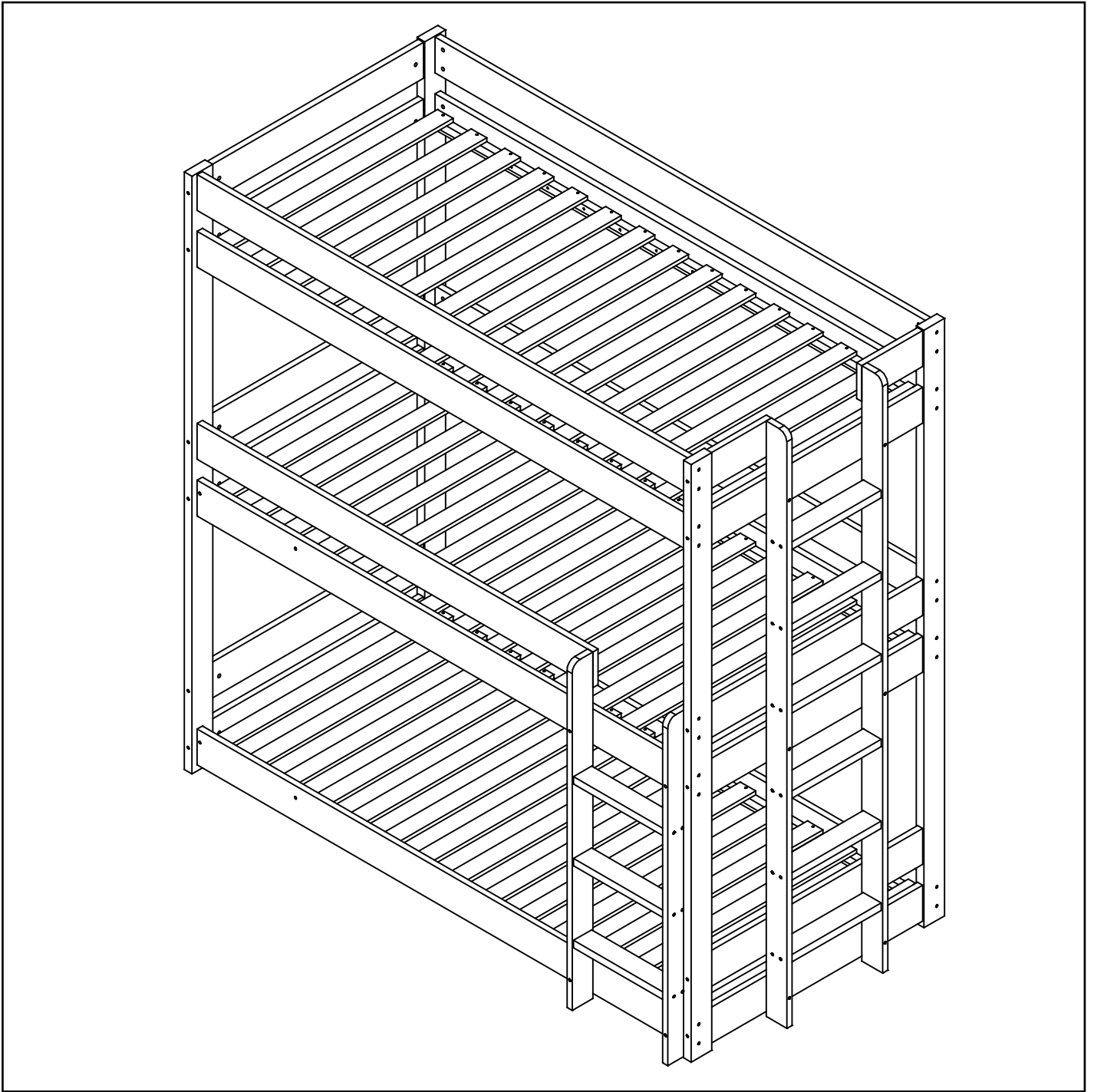


**HENRIK TRIPLE BED FRAME  
ASSEMBLY INSTRUCTIONS**

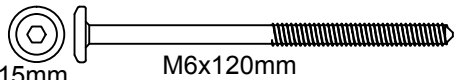
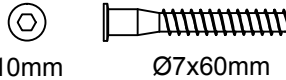


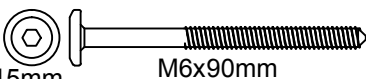

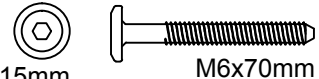





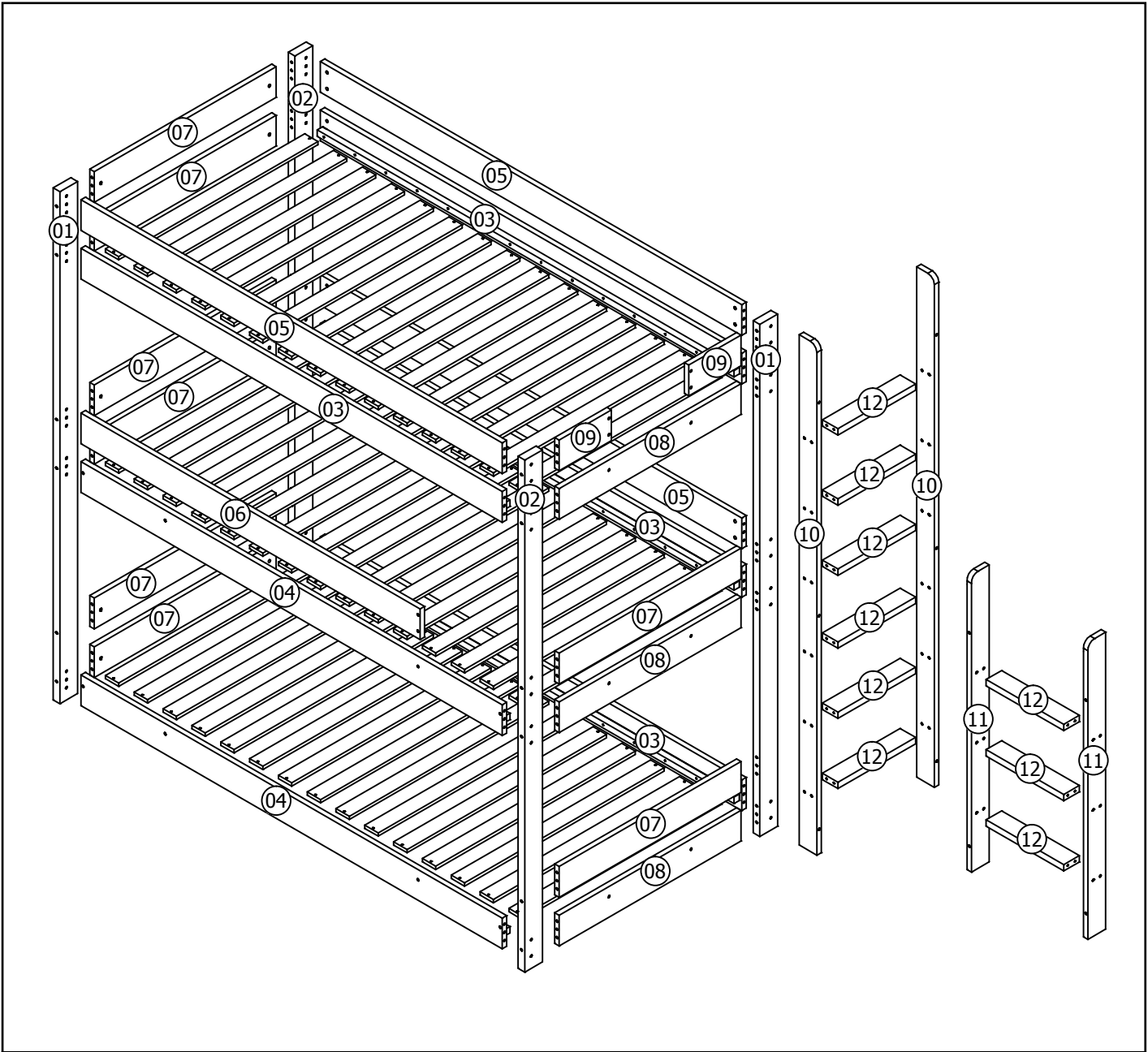
# **WARNING!**

To avoid damage to the product please do not use powertools to assemble this item!!!

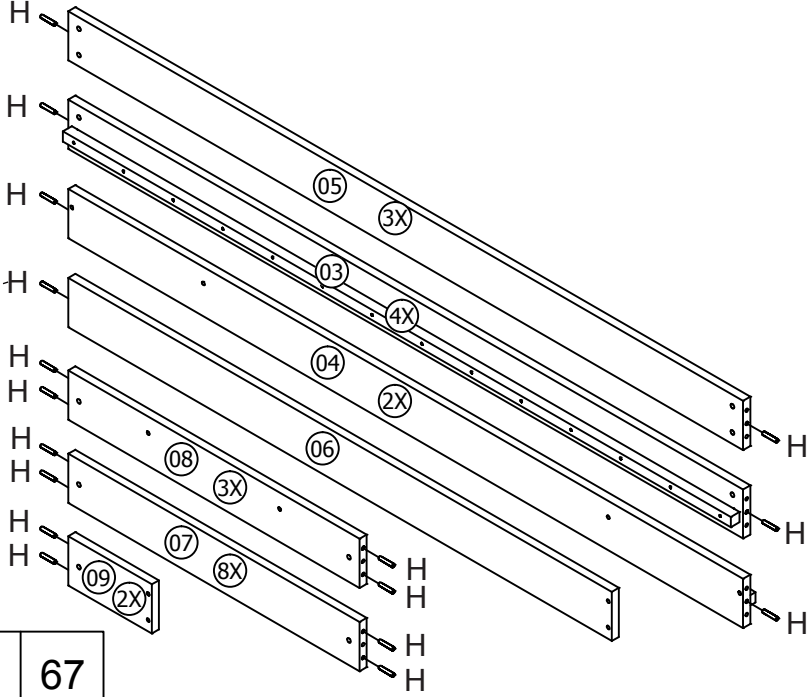
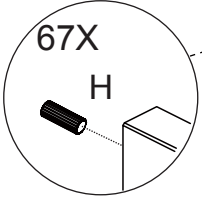



## HARDWARE

A	 15mm M6x120mm	24	F	 10mm Ø7x60mm	42
B		62	G		02
C	 15mm M6x90mm	10	H	 Ø8x30mm	67
D	 15mm M6x70mm	38	I	 8mm Ø4x30mm	90
E	 15mm M8x20mm	10	J	 Ø8mm	09

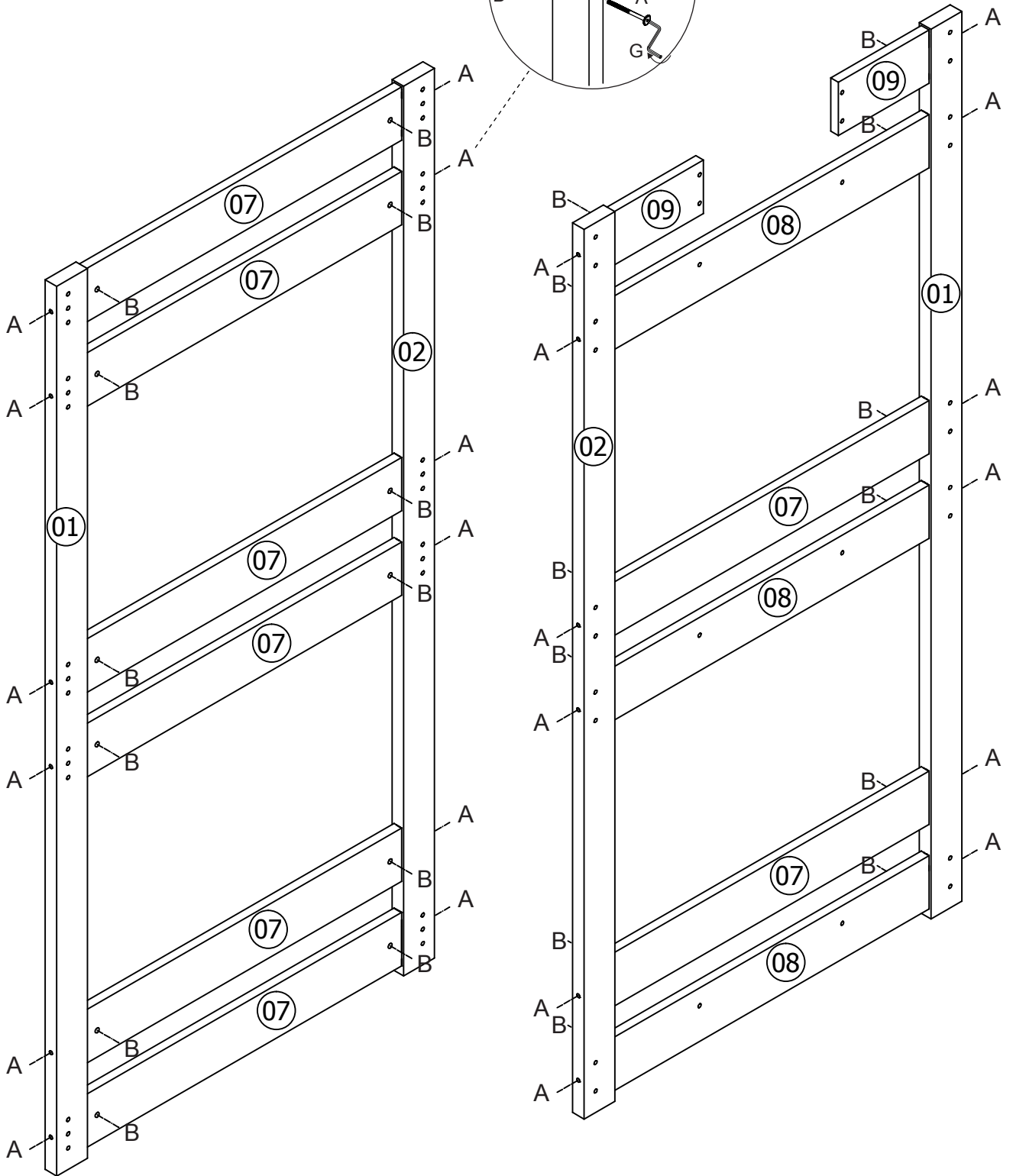
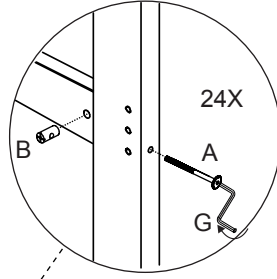


# 01



H	 Ø8x30mm	67
---	--	----

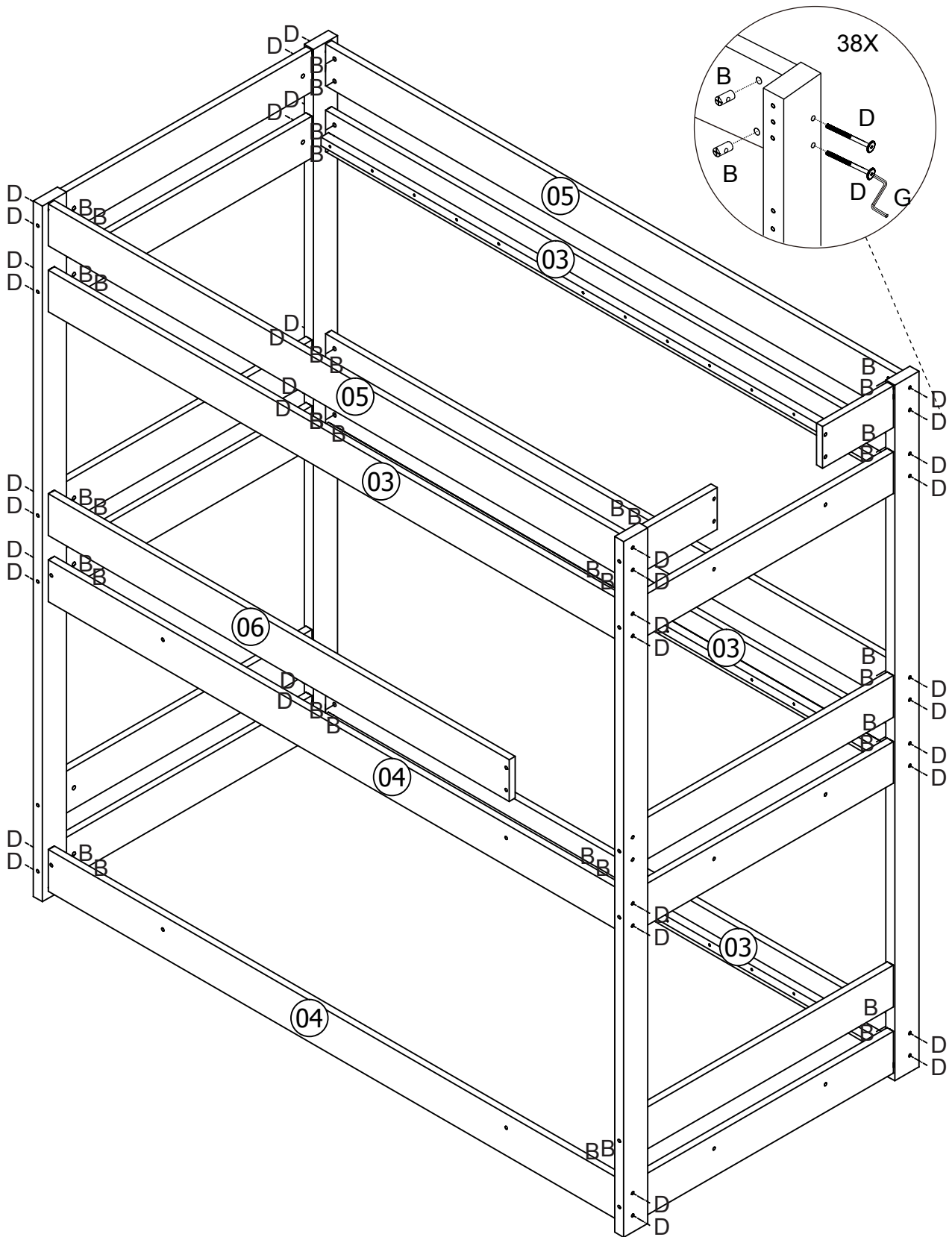
# 02



G		01
---	--	----

A		24
B		24

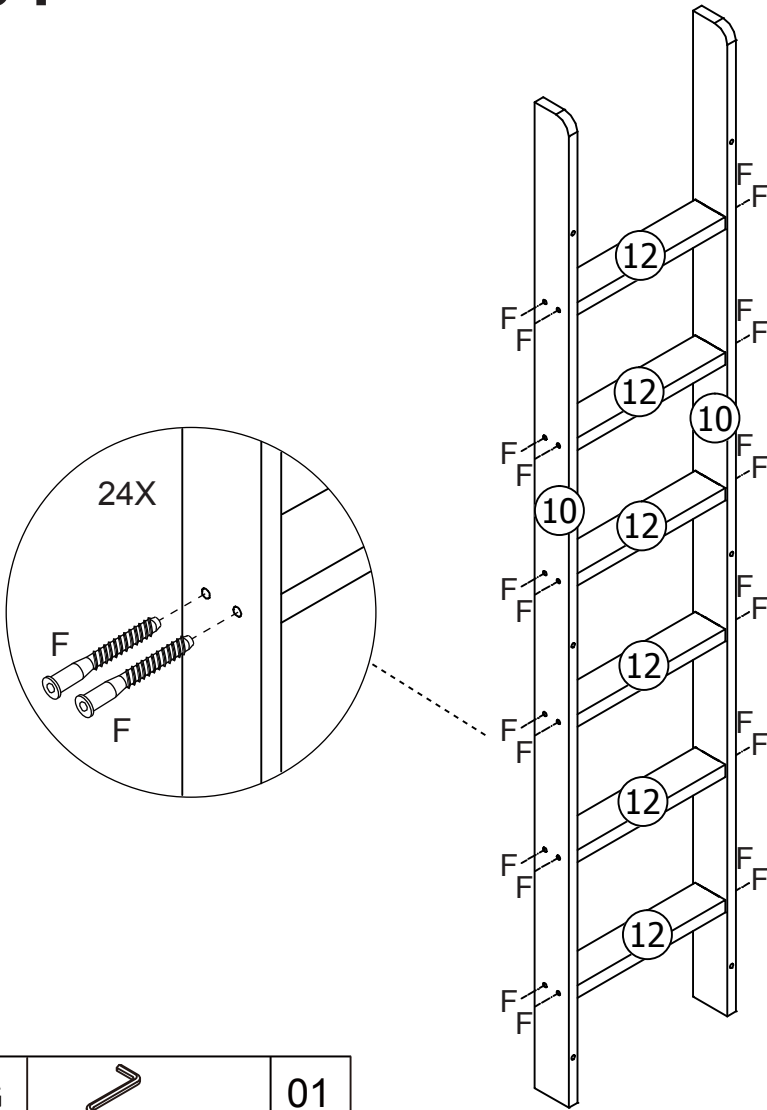
# 03



G		01
---	--	----

B		38
D	 15mm M6x70mm	38

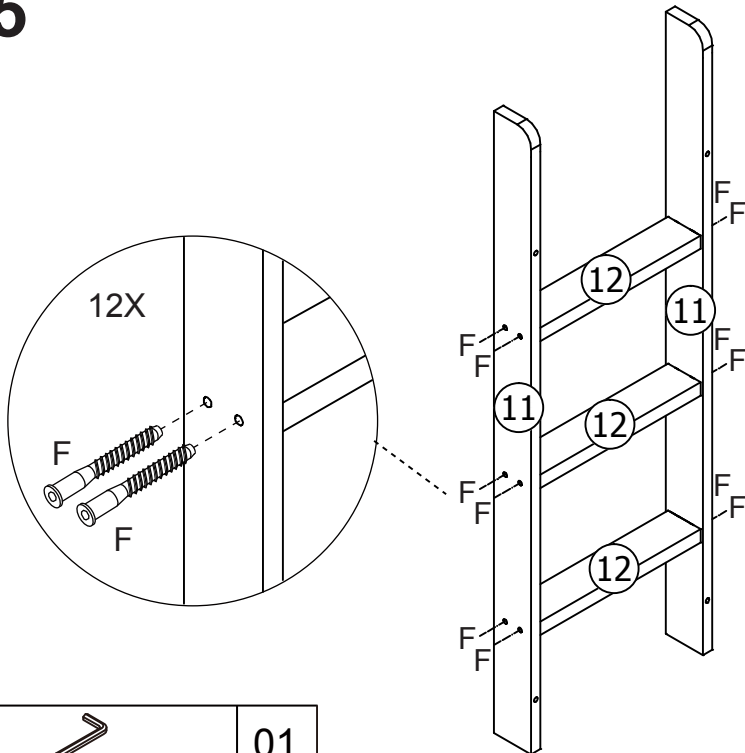
# 04



G		01
---	--	----

F	10mm	Ø7x60mm	24
---	------	---------	----

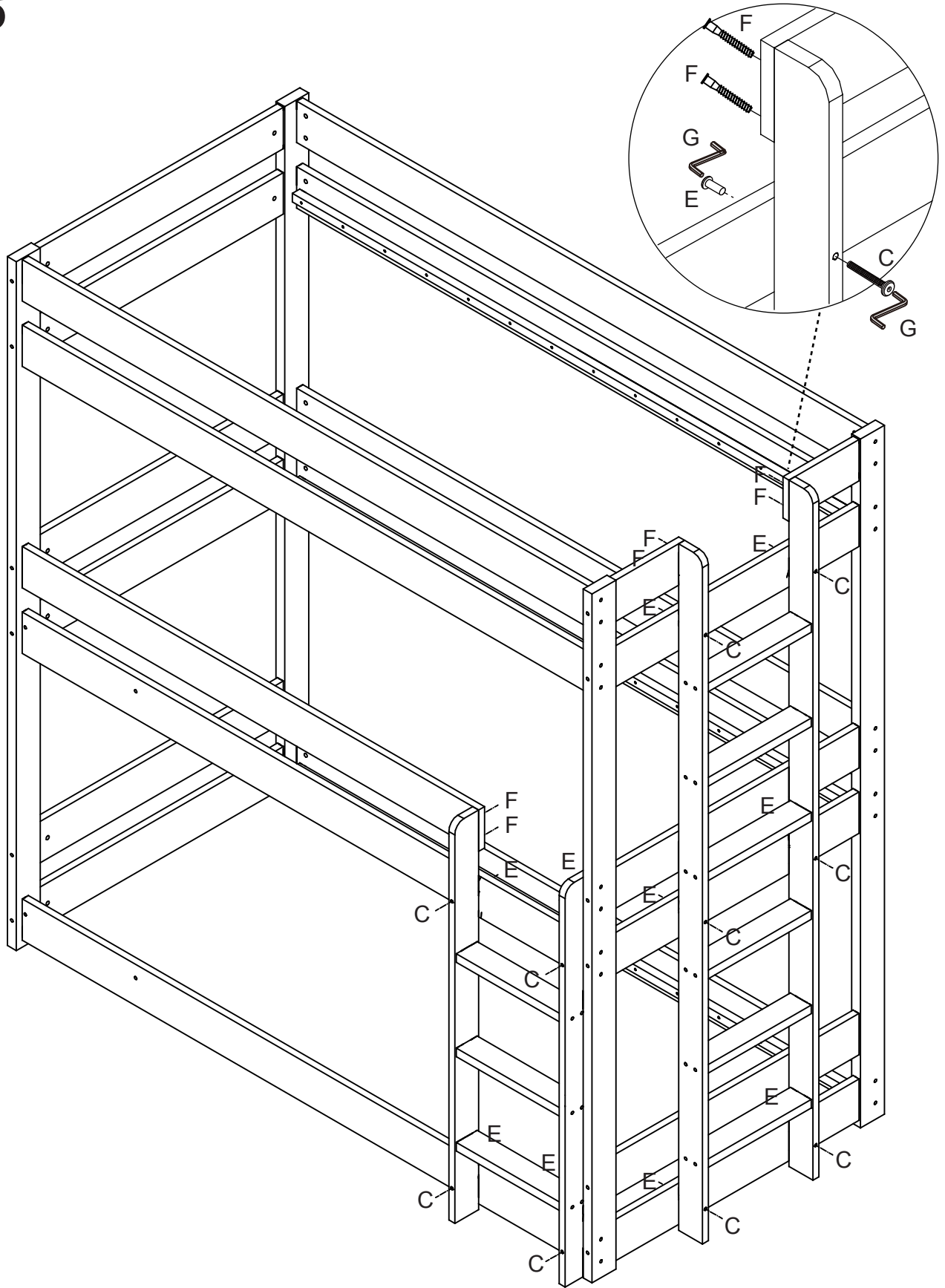
# 05


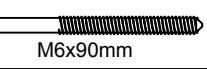

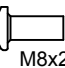

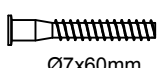



G		01
---	--	----

F	10mm	Ø7x60mm	12
---	------	---------	----

# 06

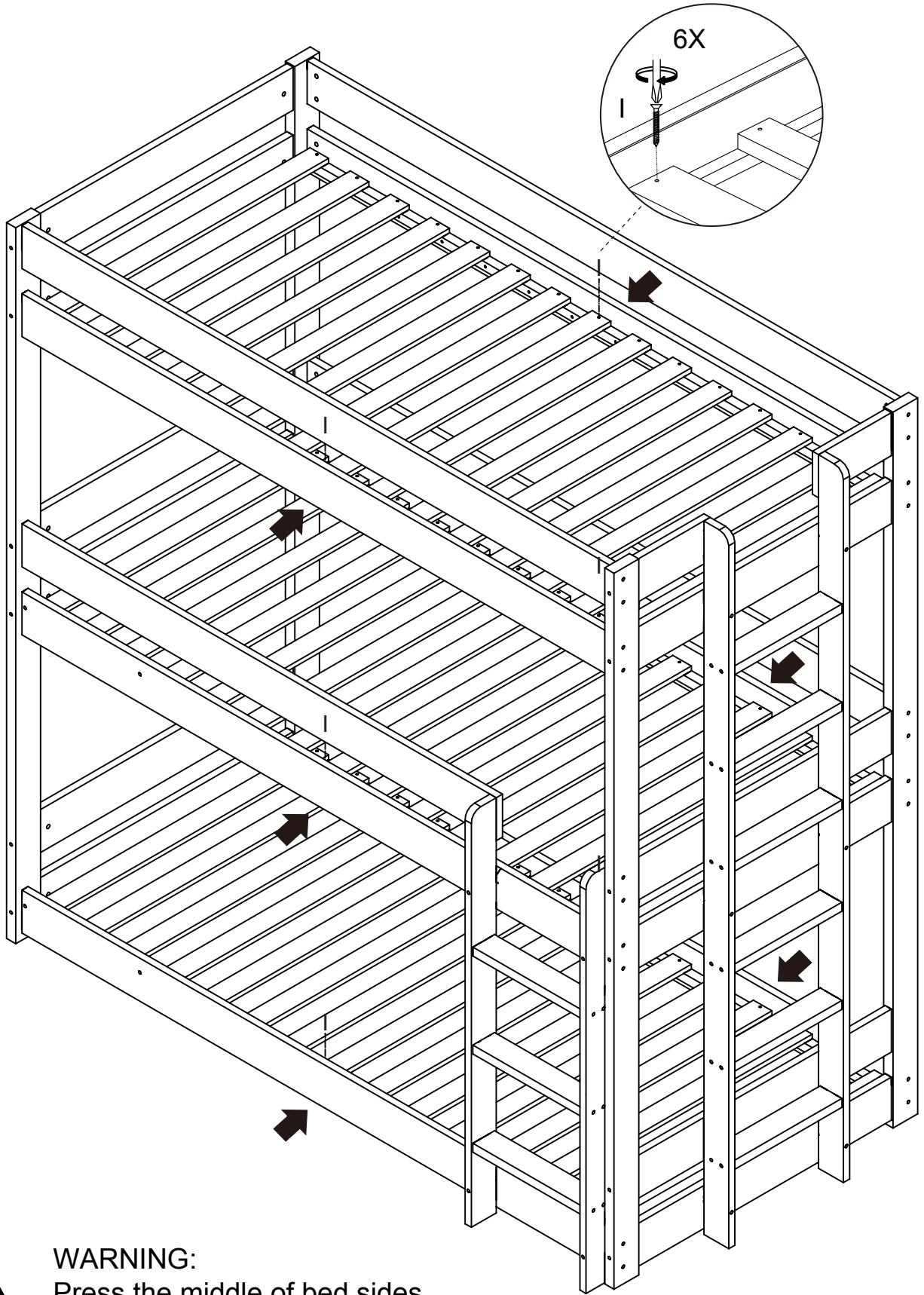


C			10
	15mm	M6x90mm	
E			10
	15mm	M8x20mm	
F			06
	10mm	Ø7x60mm	

G		02
---	---	----

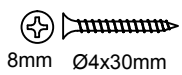


07

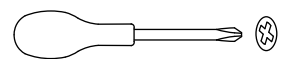


**WARNING:**  
Press the middle of bed sides  
and tighten the screw first.

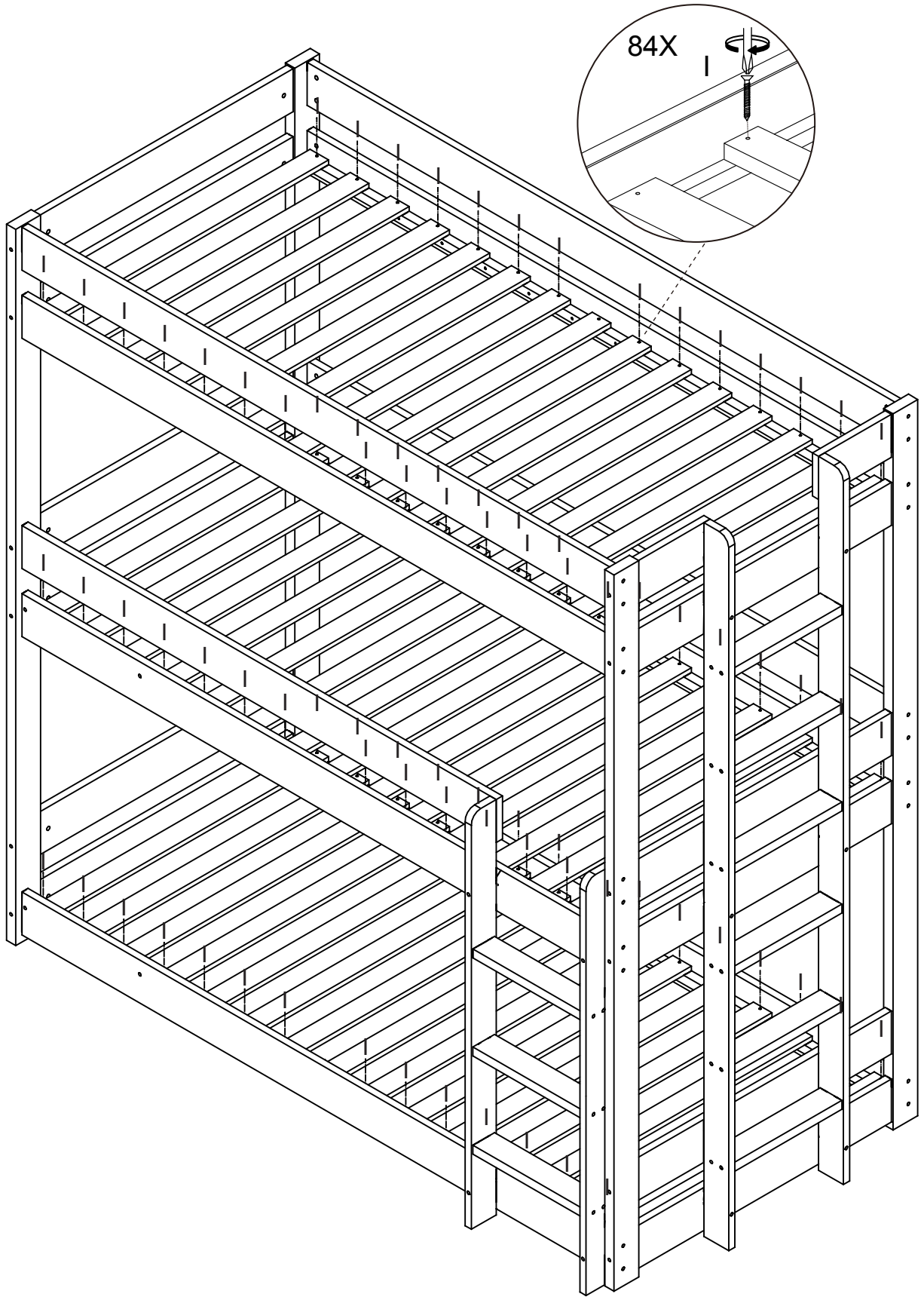
I



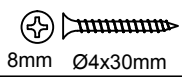
06



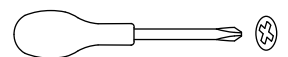
08



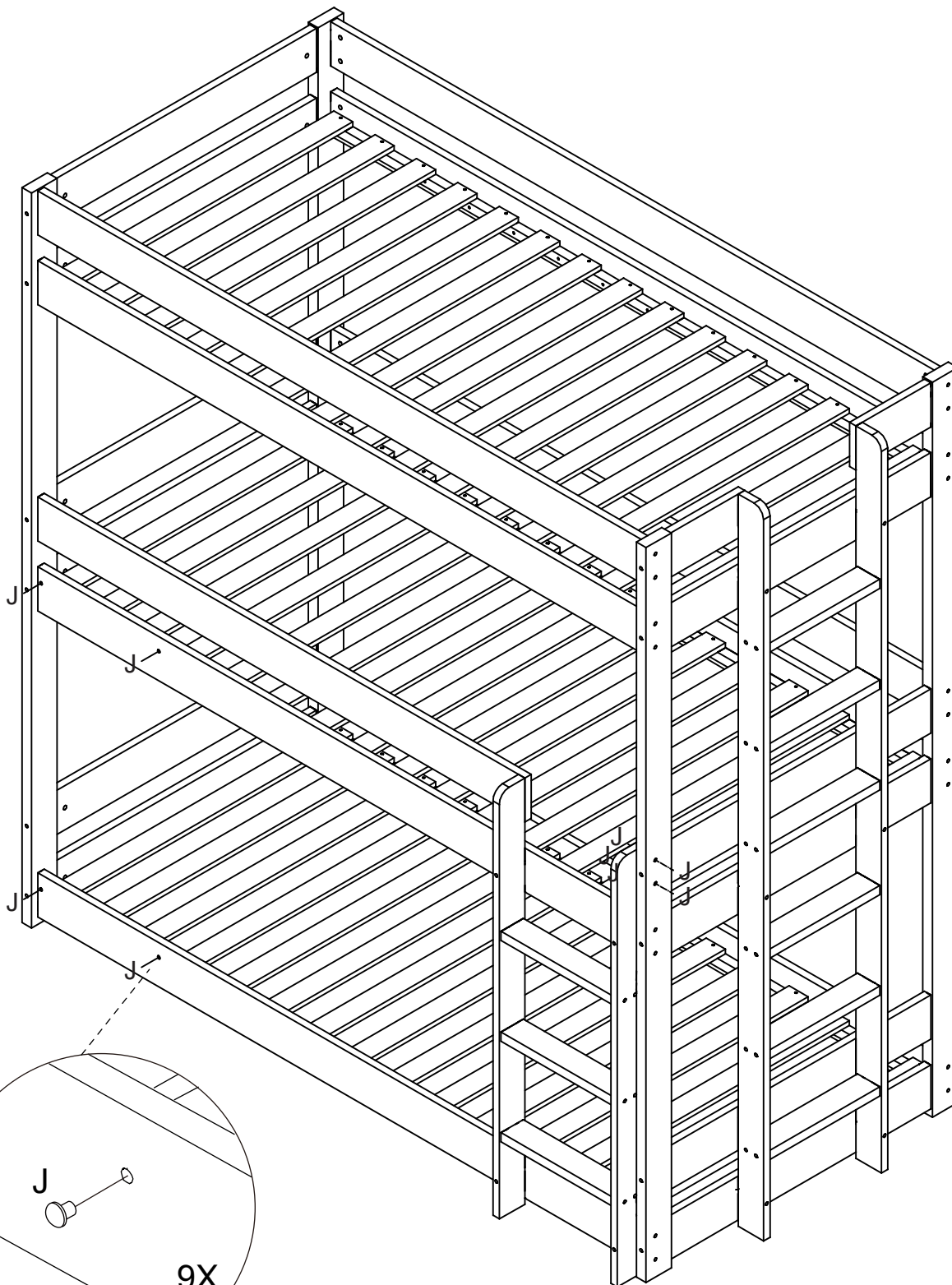
I

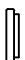



84



09



J			Ø8mm	09
---	---	---	------	----

## **Safety Information**

Please ensure the item is fully tightened and secured. We would also recommend checking the bolts of the item over time to ensure that the item is still secured correctly, this will guarantee you will be able to enjoy the product for many years to come.

## **Return Information**

If you have any problems with the item just email us at [info@noaandnani.co.uk](mailto:info@noaandnani.co.uk) or give us a call and we can resolve it for you, our technical team will be able to assist in helping. If you have any parts that are damaged we can replace them for you. If you do need to return the item for some reason just email us to request an RMA number and fill in the form on the next page and we can arrange the return of the goods.

## **Assembly Information**

We understand that self assembly furniture can be a pain but we try and make it as easy as possible for anyone to build, if you have found a problem with the assembly of the product or with the assembly instructions or you have comments on how we would improve them, we would love to hear from you. Just contact us either by email at [productadvice@noaandnani.co.uk](mailto:productadvice@noaandnani.co.uk) or by phone.

## **Related items**

We have a matching range of items that compliment this product, just head to [noaandnani.co.uk](http://noaandnani.co.uk) for the full selection.

**NÖA & NANI**  
FAMILY FURNITURE



[www.NoaandNani.co.uk](http://www.NoaandNani.co.uk)



## Return Merchandise Authorization RMA

Buyers Name:

Address:

Postal Code:

Telephone:

RMA Number:

Signature:

Number of Packages to Return:

Collection Charge Amount:

### RMA Agreement

All goods will be returned as per request, if there are multiple packages these will all be returned. The courier will collect the amount of packages as stated. Any failure to give all the packages to the courier will result in an additional collection fee and/or a deduction from the refund total.

Images of returned packages included. Please tick

(Why do we require images?) Due to the nature of our oversized items going through the courier networks it is important that prior to booking in the collection, we can see the size of the parcels being returned. This avoids couriers attempting a collection and refusing to collect the goods, which means you haven't wasted time waiting in for the collection not to take place.

### Failed Collections

If a collection is booked in and the collection fails due to no-one being at the property to give the goods back, a fee of 50% off the collection charge will be charged. The collection will then need to be booked in again and an additional collection charge will be incurred.

**IMPORTANT:** Please ensure the RMA Number is clearly written on all of the packages. This will ensure the refund will be processed swiftly.

# Important Safety Information

- a) All assembly fastenings should be tightened properly and care should be taken that no fittings are loose.
- b) Maximum thickness of mattress: 11 cm, the max mattress thickness must not be over the maximum mattress thickness marking marked on the upper bed.
- c) Recommended size of the mattress:L190\*W90\* 11 cm
- d) The Cabin bed should not be used if any structural part is broken or missing.
- e) The upper bed of the Cabin beds are not suitable for children under 3 years due to injury from falling.
- f) Children can strangle in items such as ropes, strings, cords,harnesses and belts attached to or hung on a bunk bed.
- g) Warning: Children can become trapped between the bed and the wall. To avoid risk of serious injury the distance between the tip safety barrier and the wall shall not exceed 75mm or shall be more than 230mm.
- h) EN747-1,04.2007

## Any Problems

**Call us**

**01303 872957**

**Email us**

**info@jadebay.co.uk**

**Noa & Nani**<sup>TM</sup>  
CABIN BEDS

Distributed in the UK by

**JADEbay**