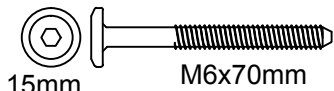


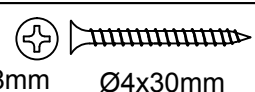
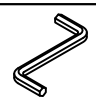
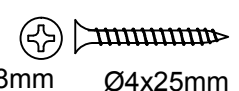

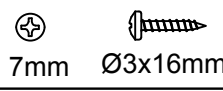
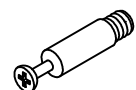

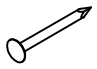

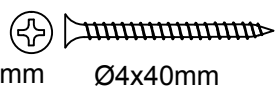
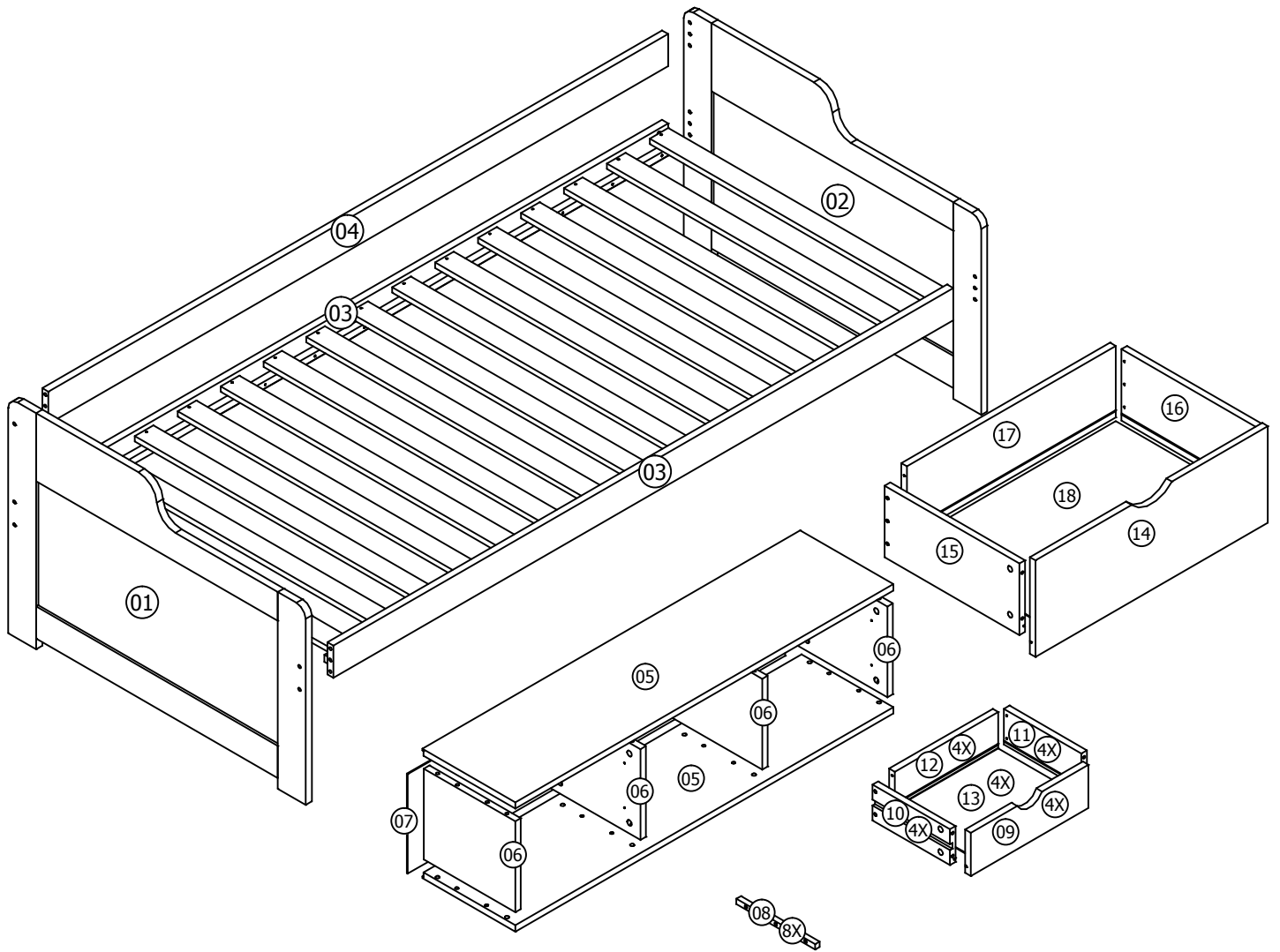


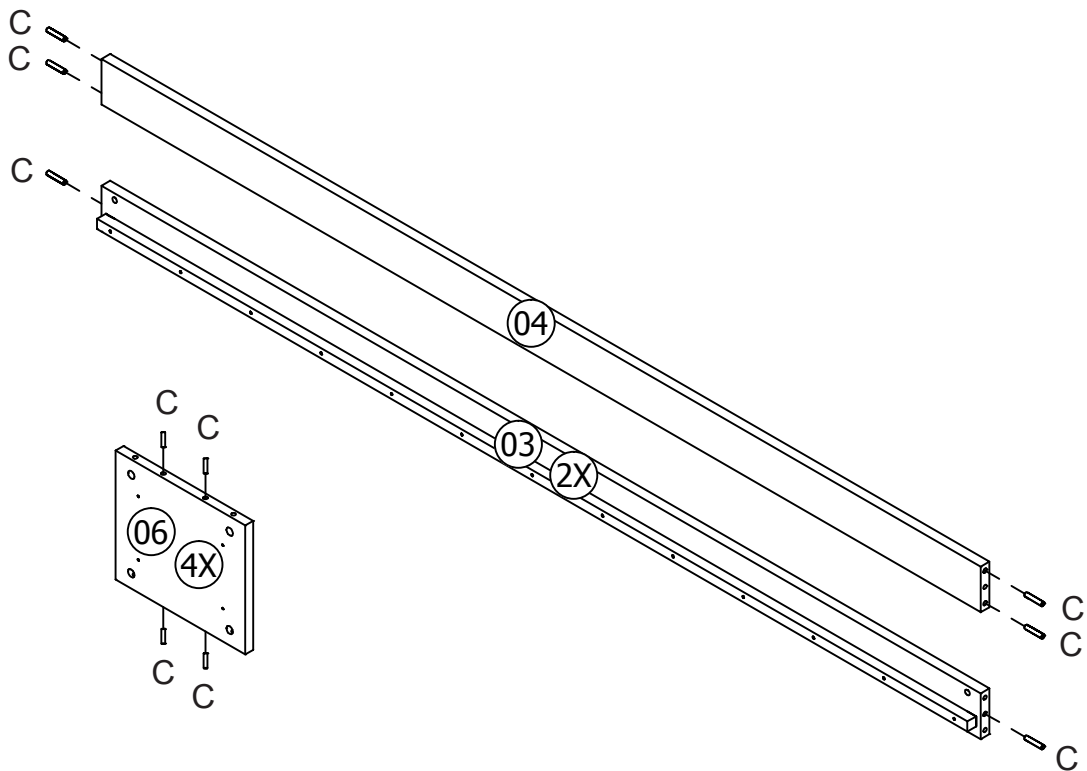
HARDWARE

A	 15mm M6x70mm	10
B		10
C	 Ø8x30mm	24
D	 8mm Ø4x30mm	30
E		01
F	 8mm Ø4x25mm	24
G		04

H	 7mm Ø3x16mm	08
I		36
J		36
K		22
L		22
M	 8mm Ø4x40mm	22



01



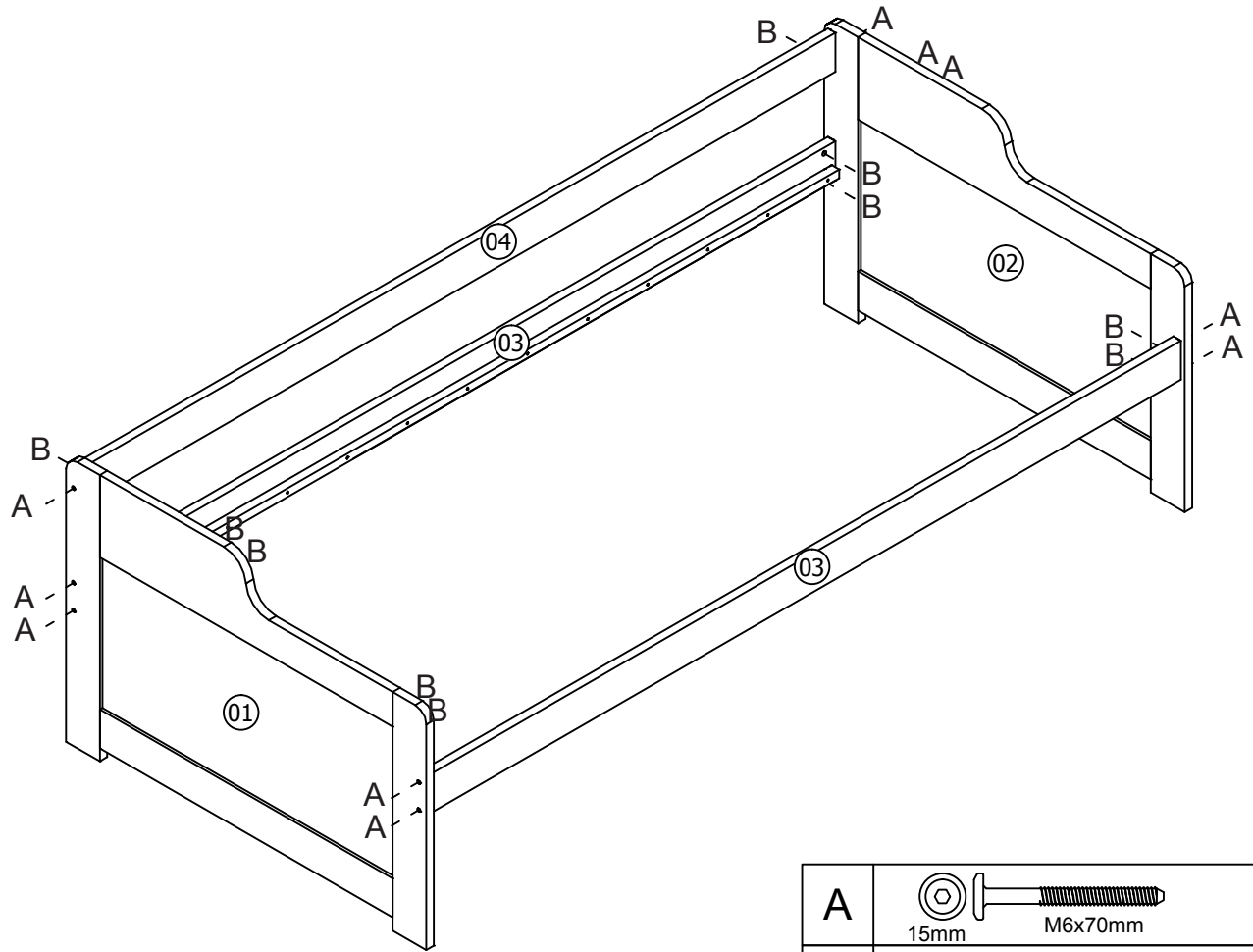
C





Ø8x30mm

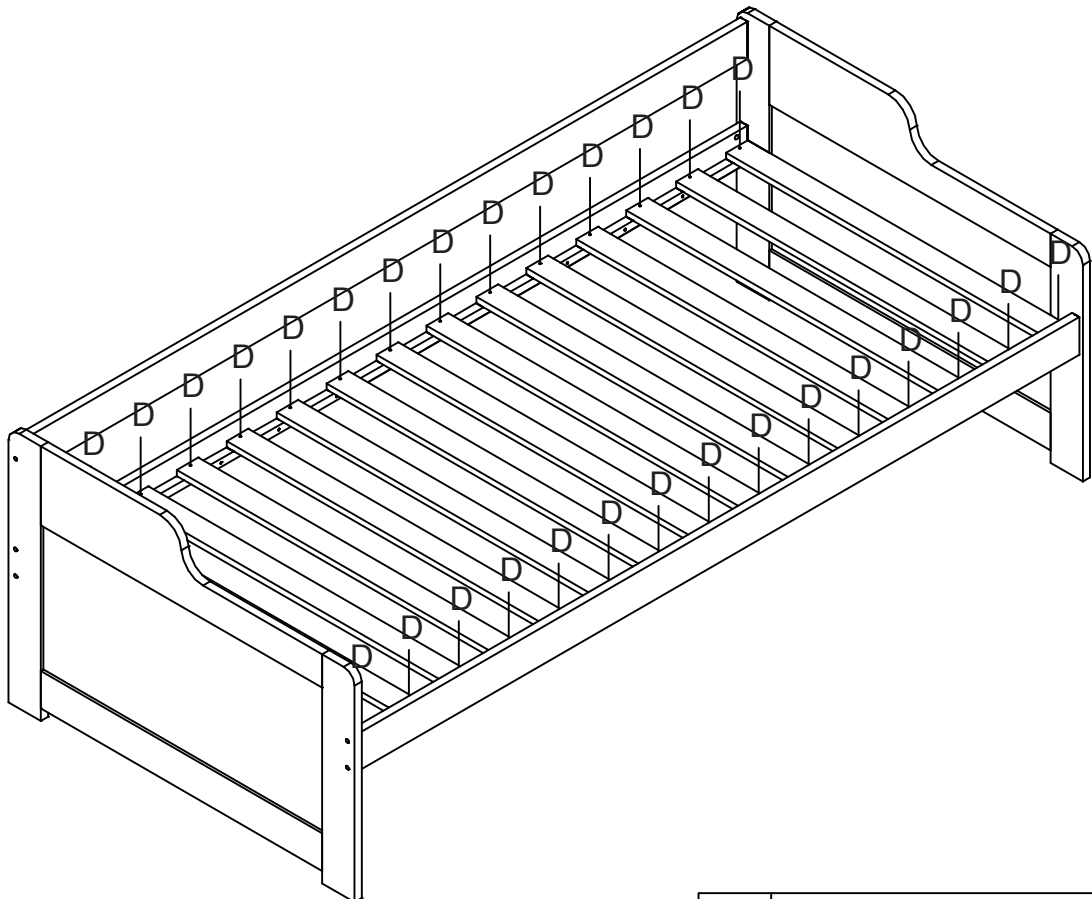
24


02



A	 15mm M6x70mm	10
B		10

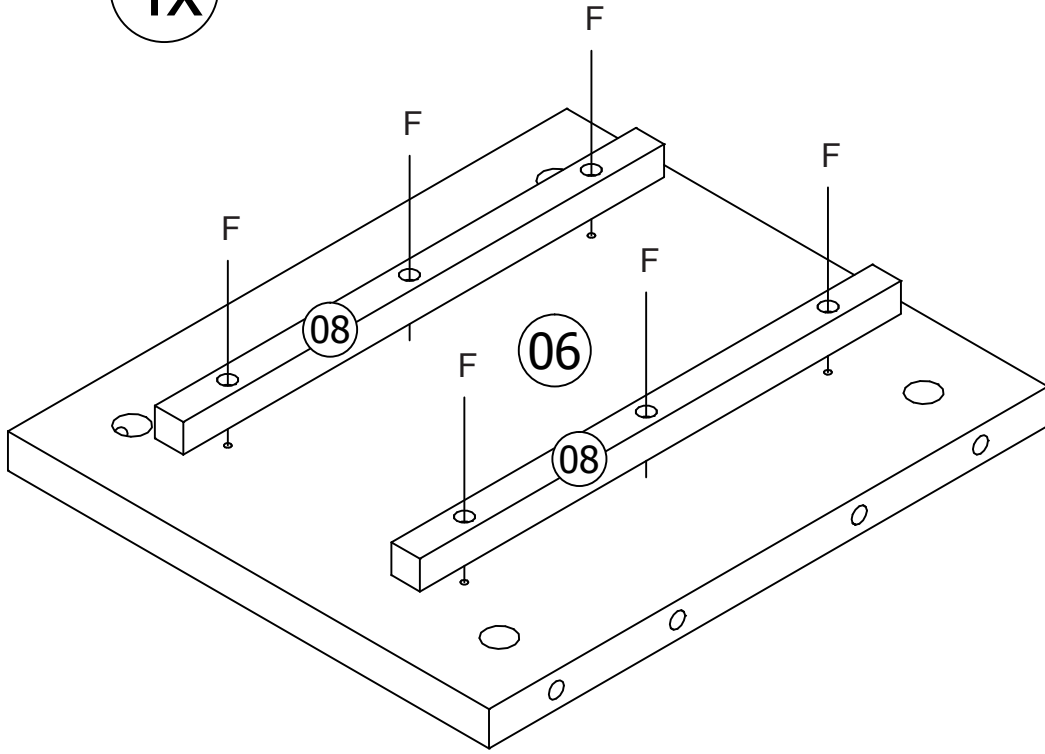
03

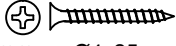


D	 8mm Ø4x30mm	30
---	--	----

04

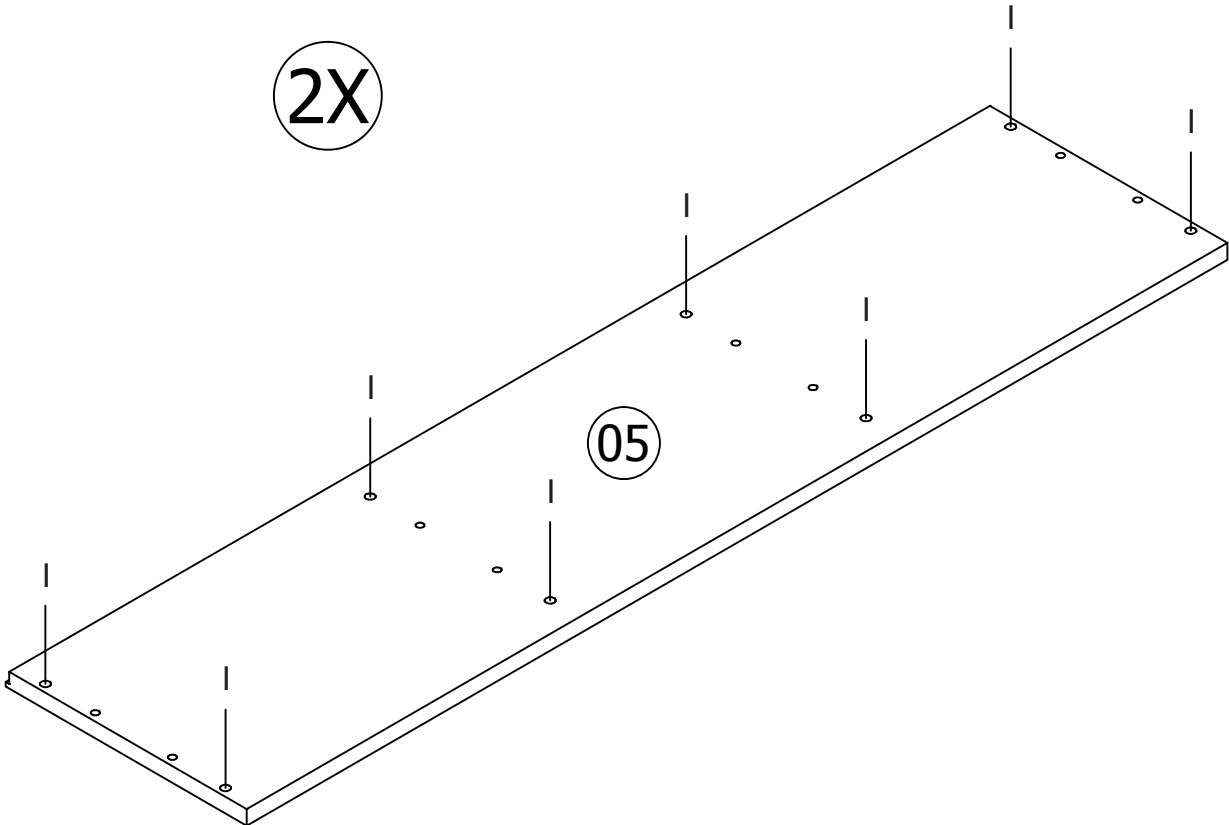
4x




F	 8mm Ø4x25mm	24
---	--	----

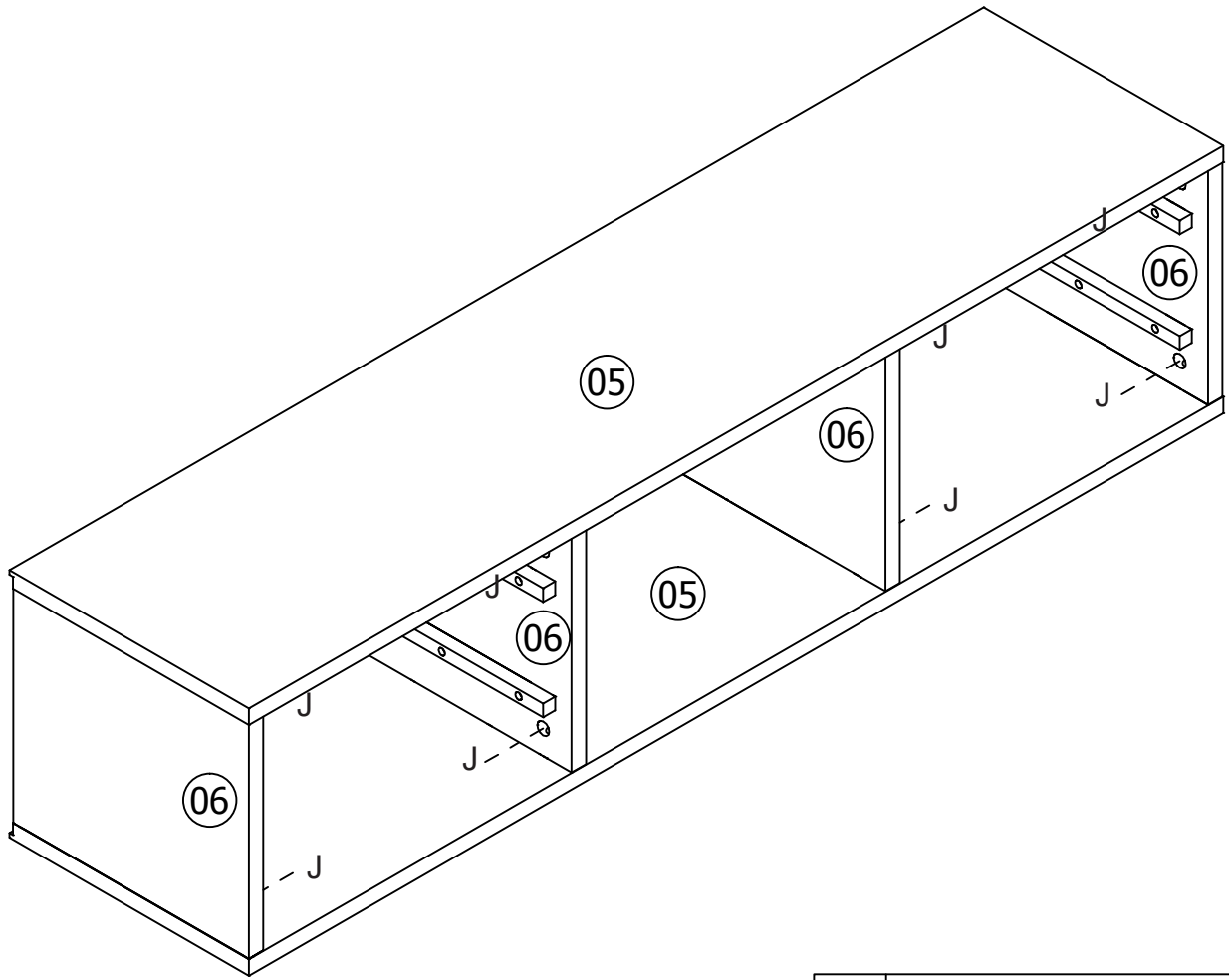
05

2x



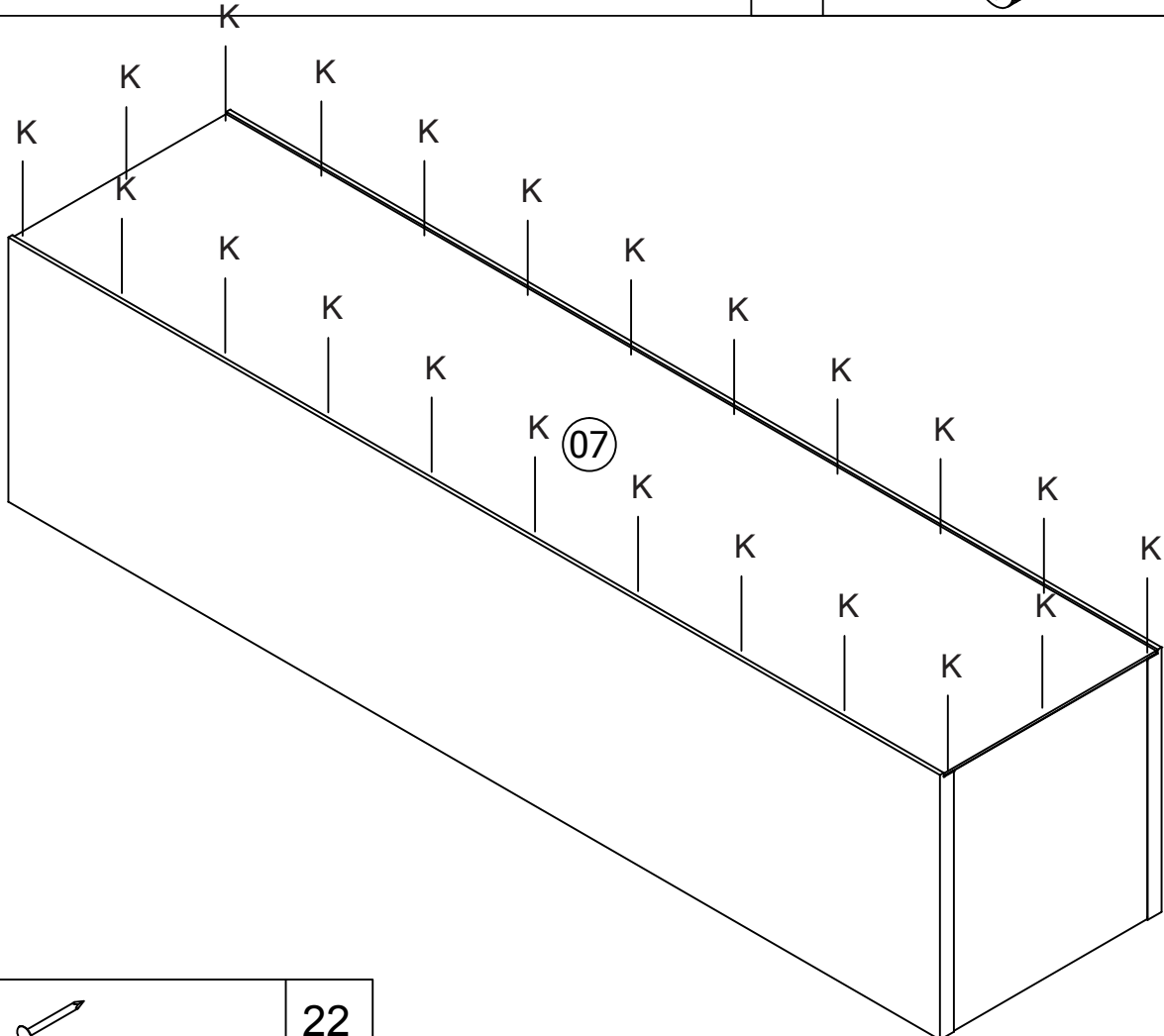
I		16
---	---	----


06



J		16
---	---	----

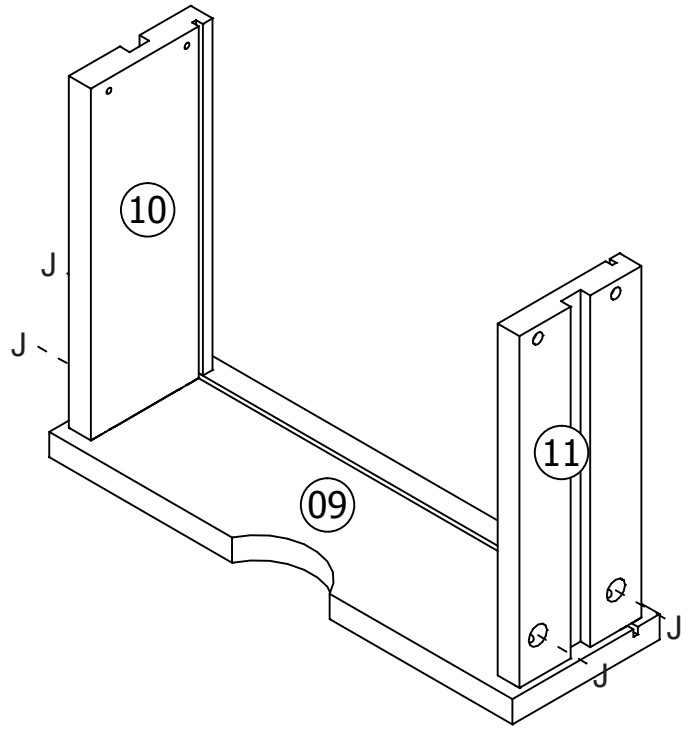
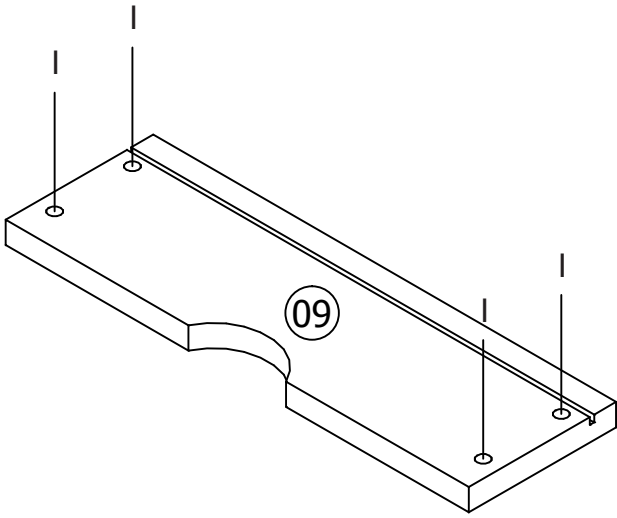
07





K		22
---	---	----

08

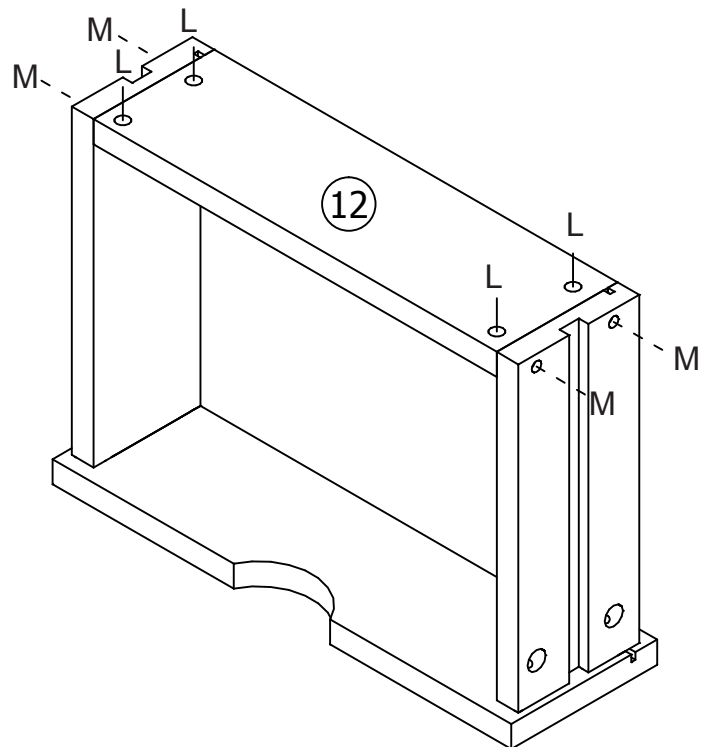
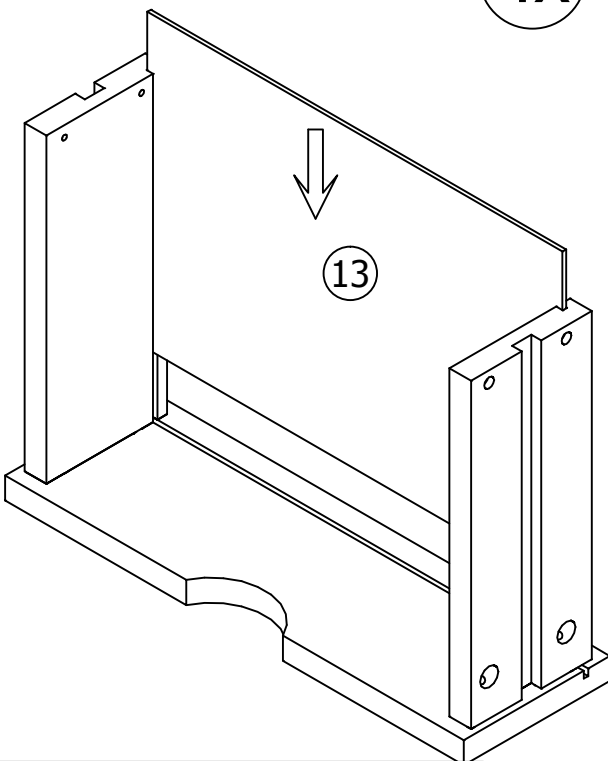
4x


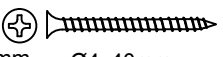


I		16
J		16

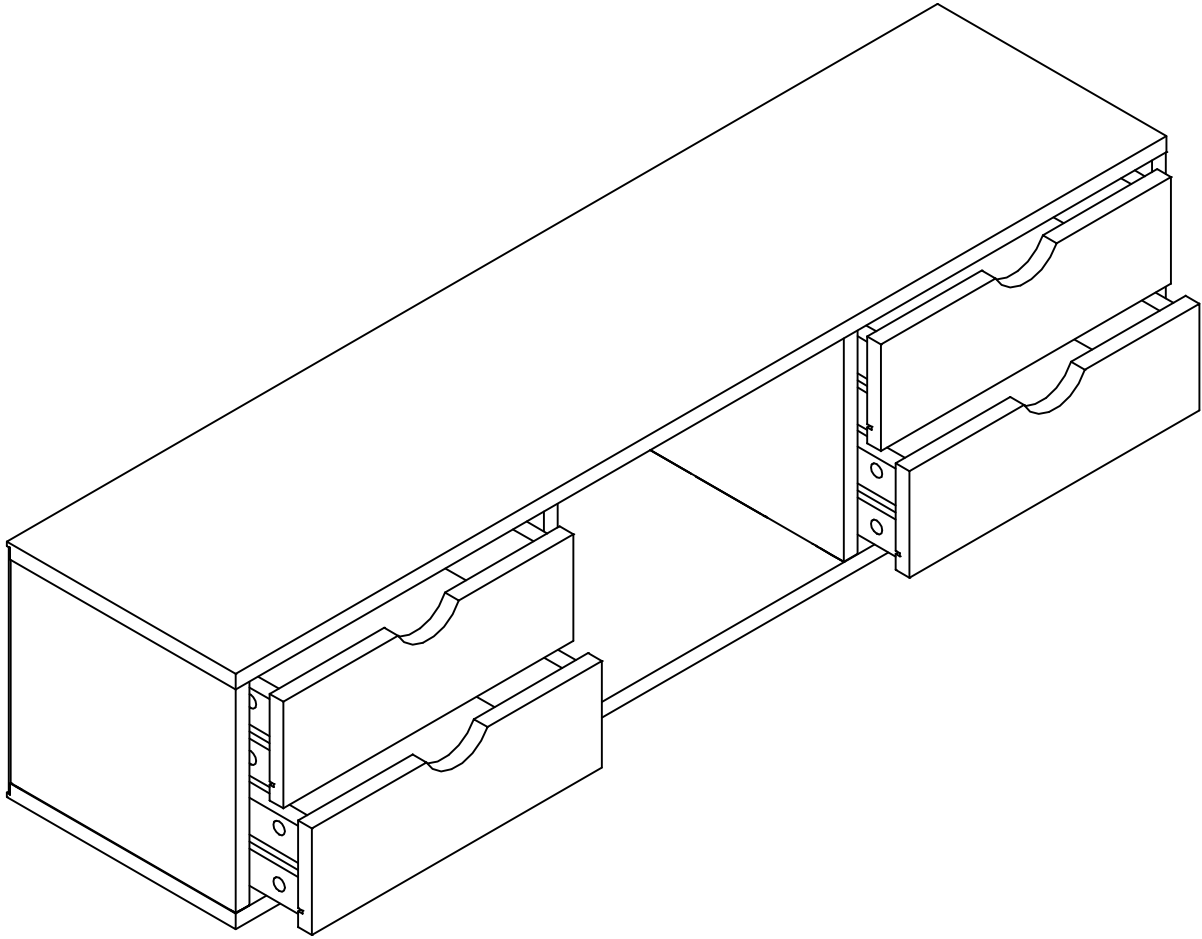
09

4x

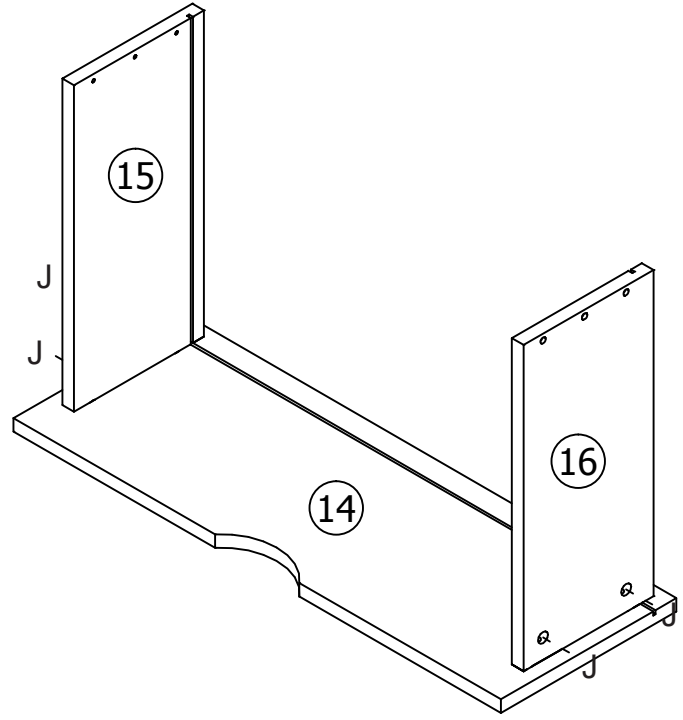
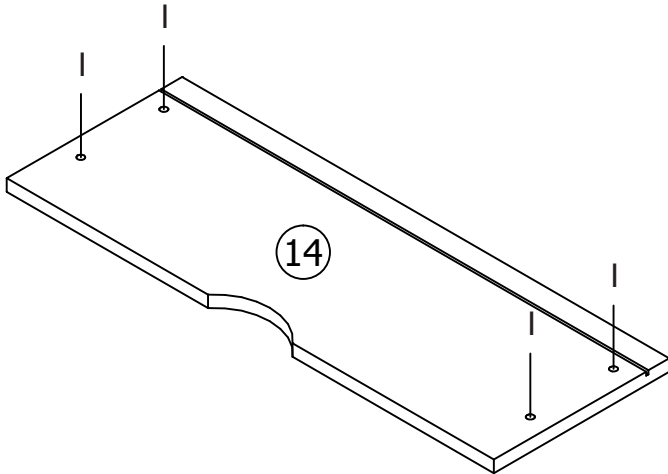


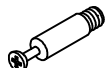

L		16
M	 8mm Ø4x40mm	16

10

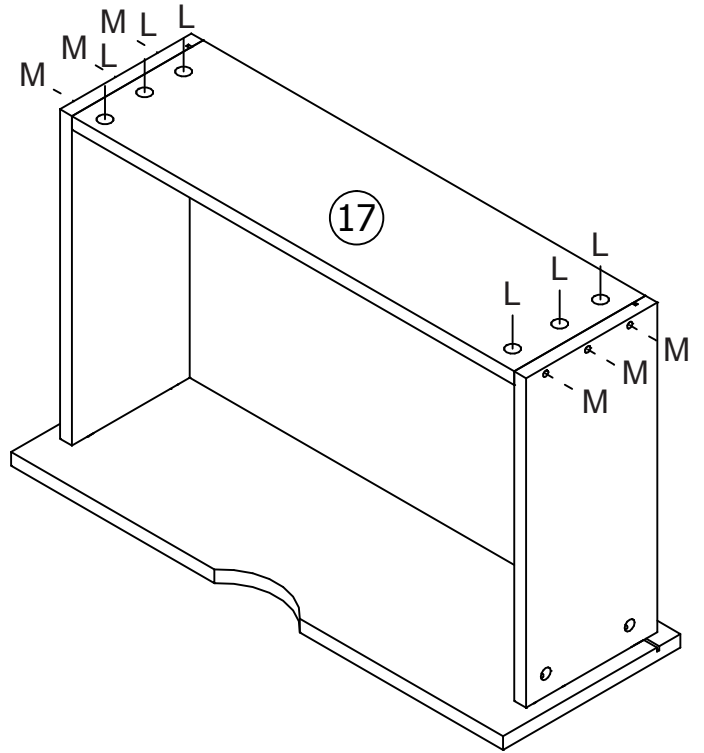
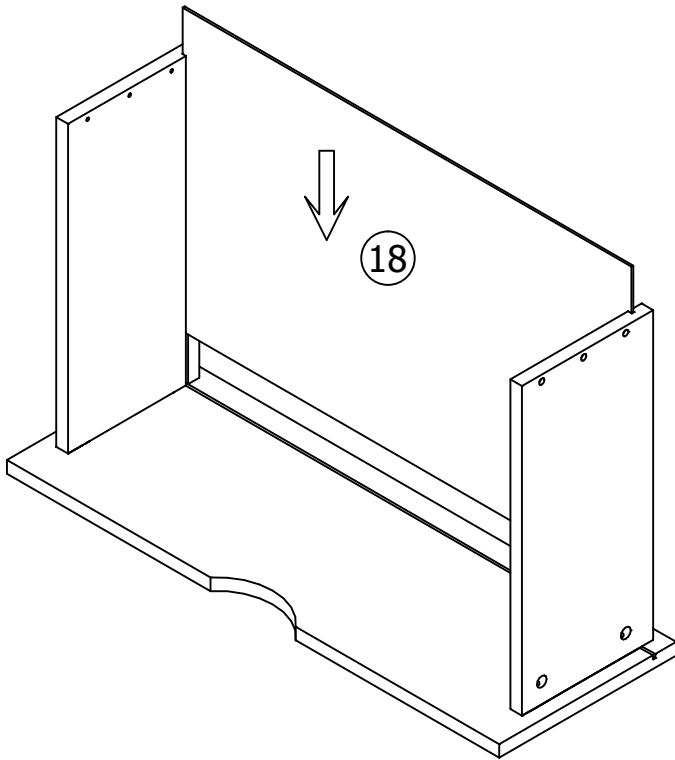



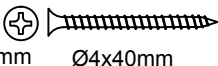
11



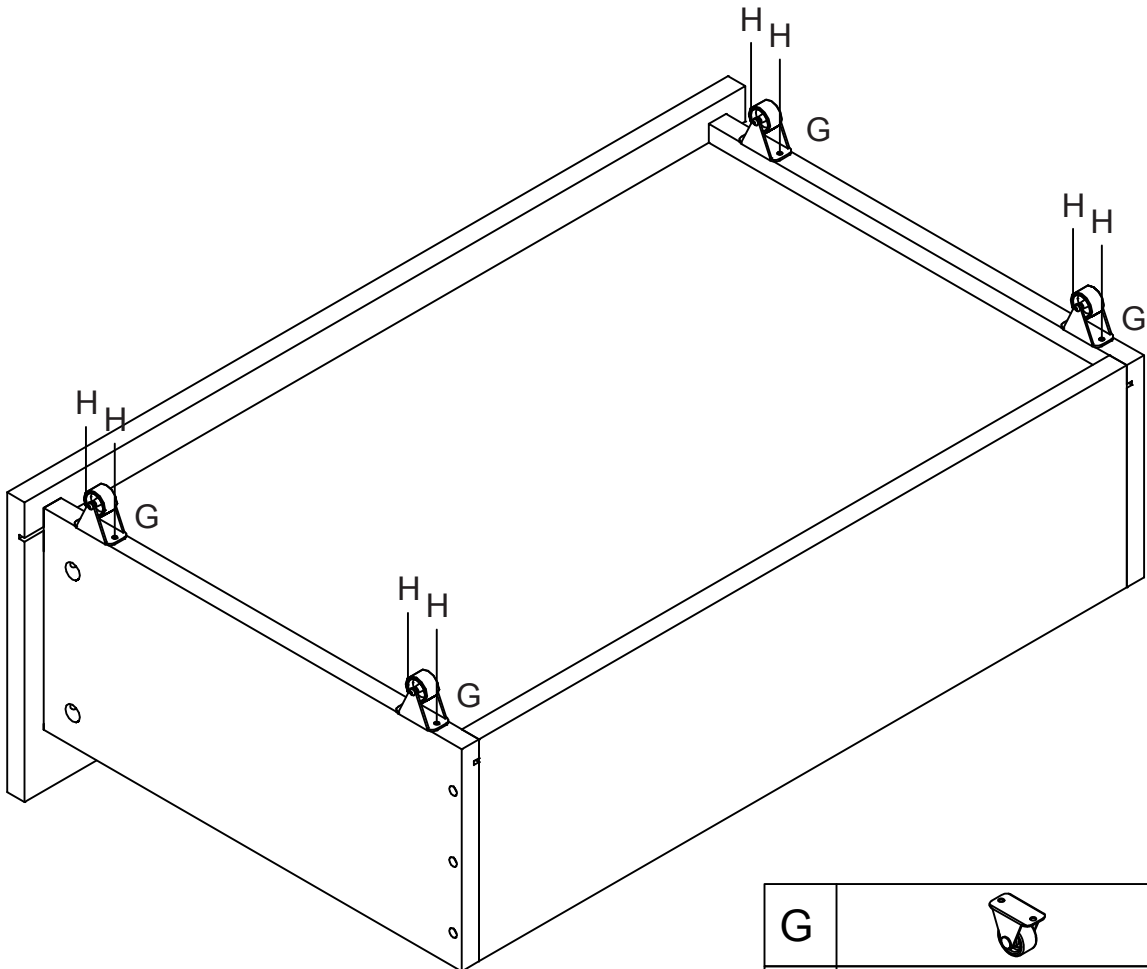
I		04
J		04


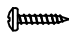
12



L		06
M	 8mm Ø4x40mm	06

13



G		04
H	 7mm Ø3x16mm	08

14

