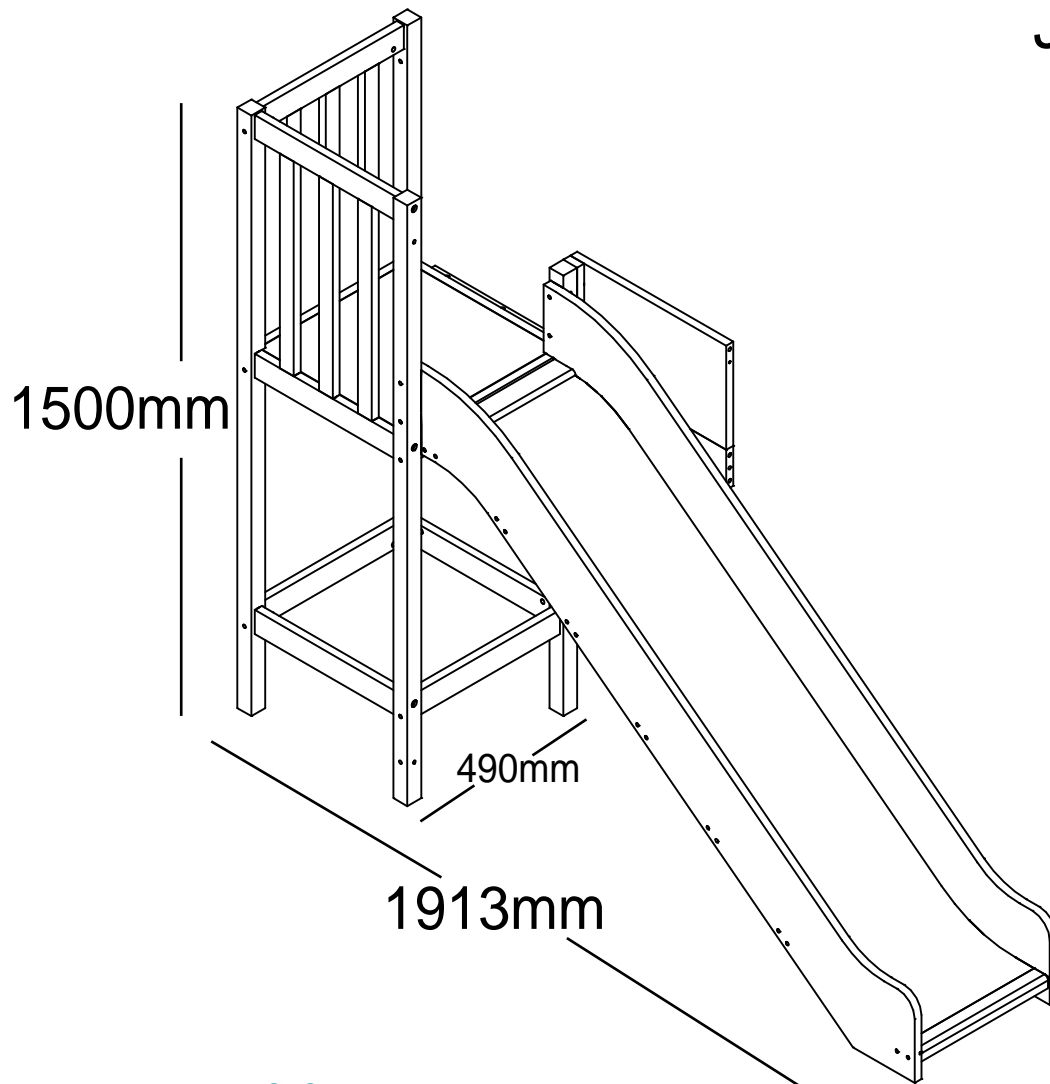
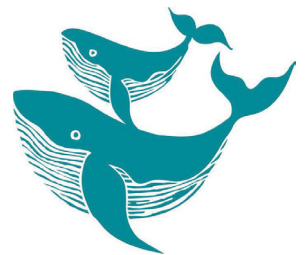


JZ19005

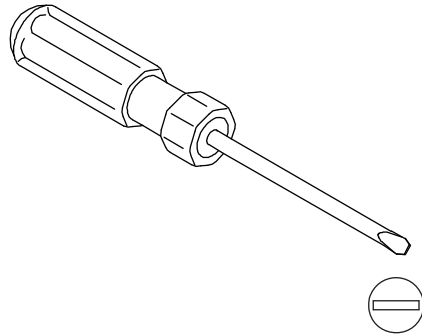
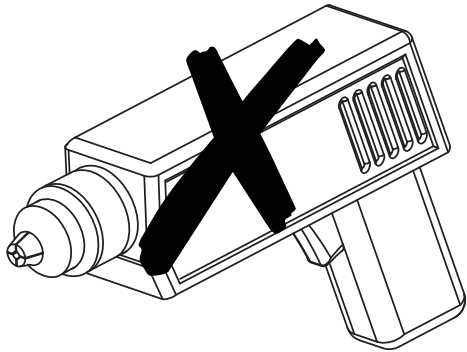


NÖA & NANI

FAMILY FURNITURE

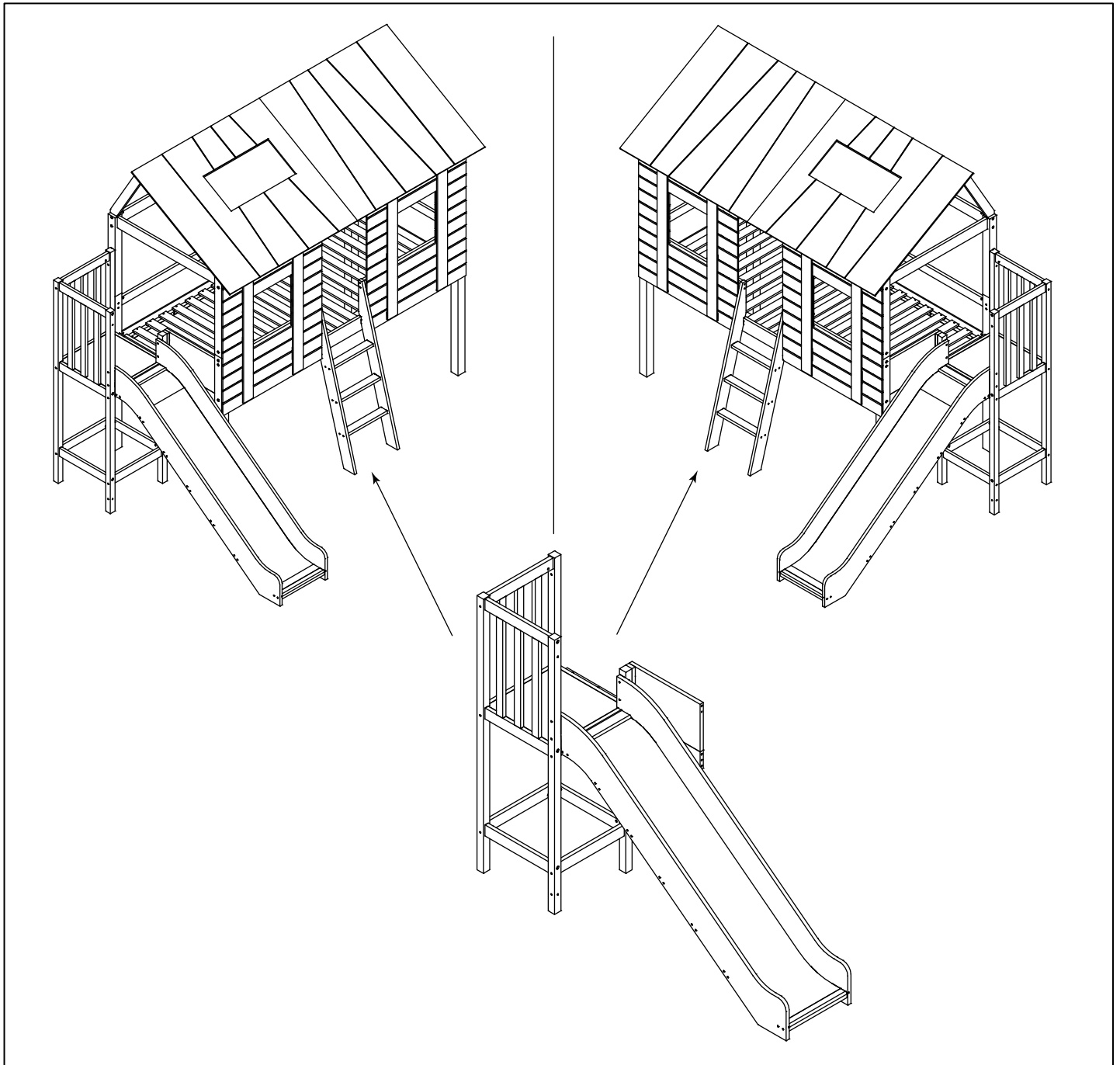


**CHRISTOPHER SLIDE
ASSEMBLY INSTRUCTIONS**


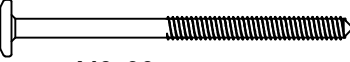


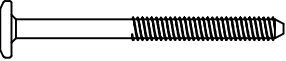





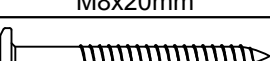



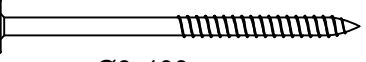

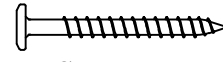


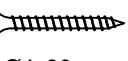

WARNING!

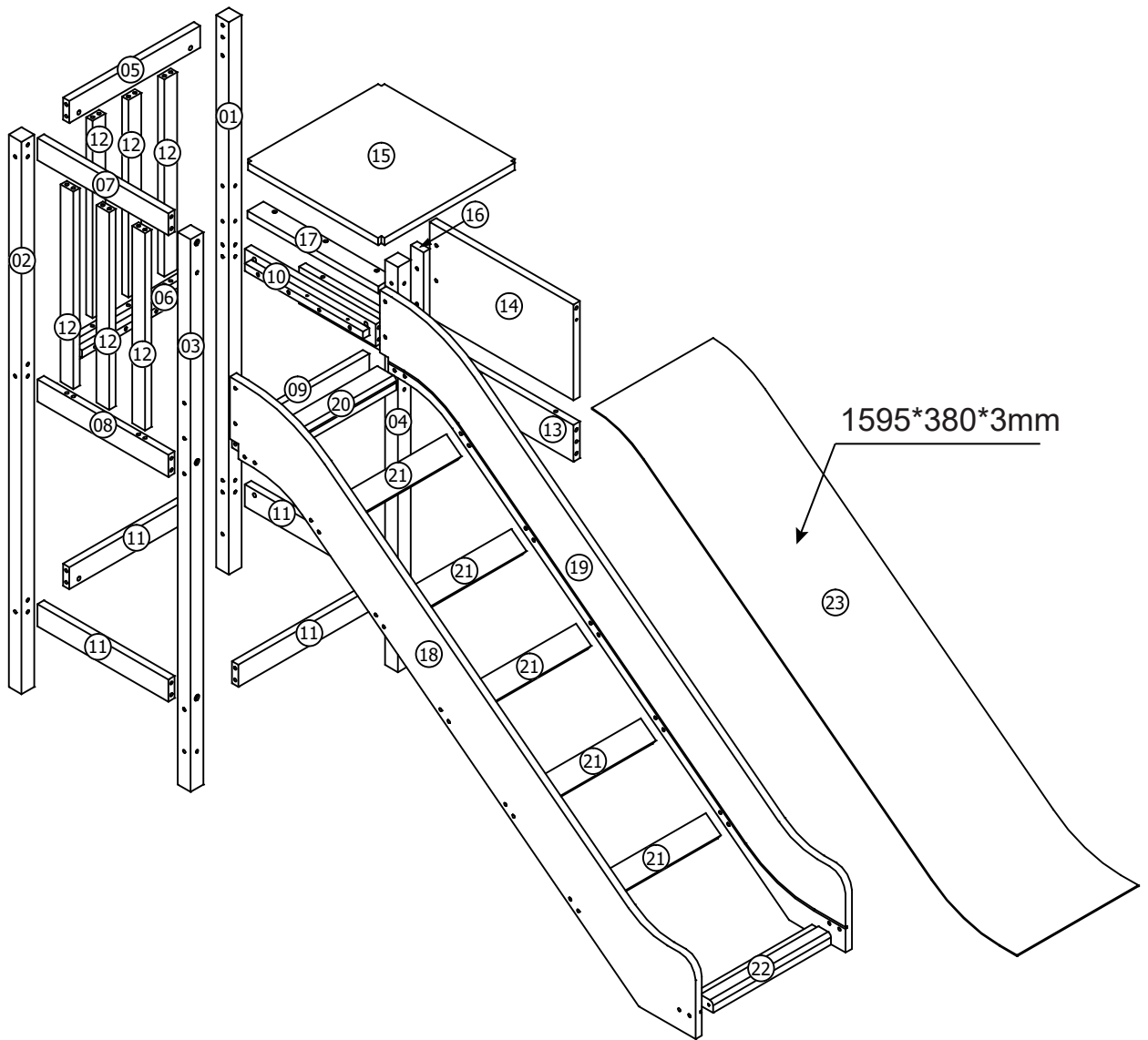
To avoid damage to the product please do not use powertools to assemble this item!!!



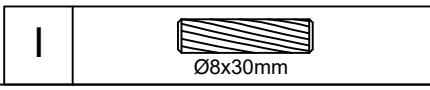
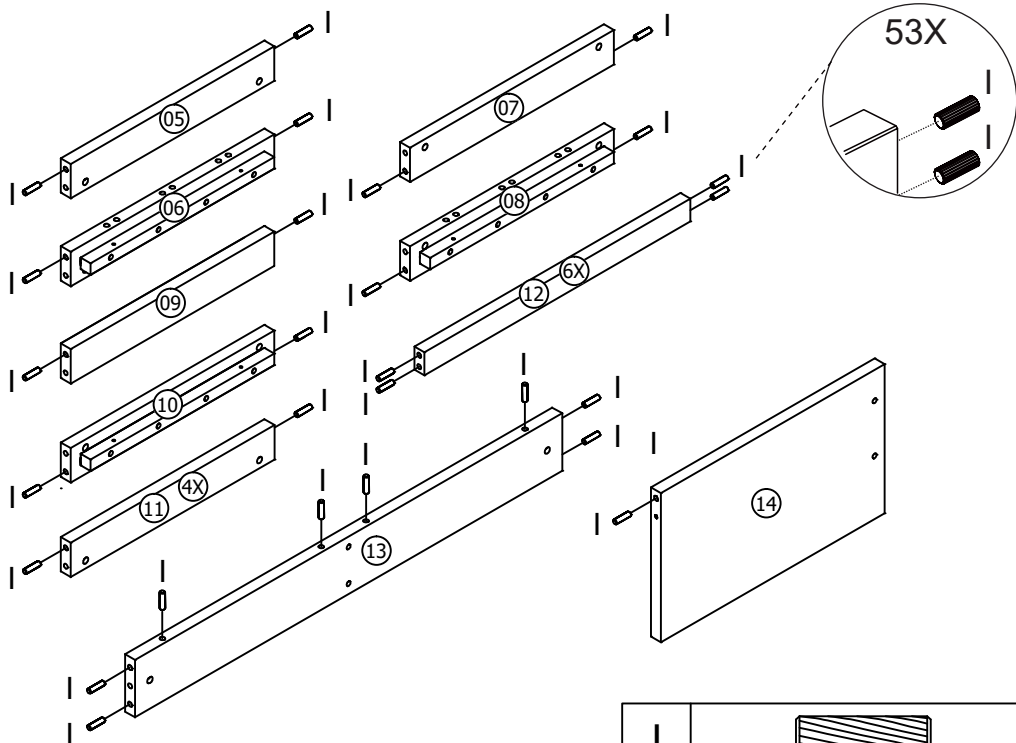
HARDWARE

A	 15mm	 M6x90mm	22
B			20
C	 15mm	 M6x70mm	02
D	 15mm	 M6x50mm	02
E	 15mm	 M8x20mm	06
F	 15mm	 Ø6x70mm	28

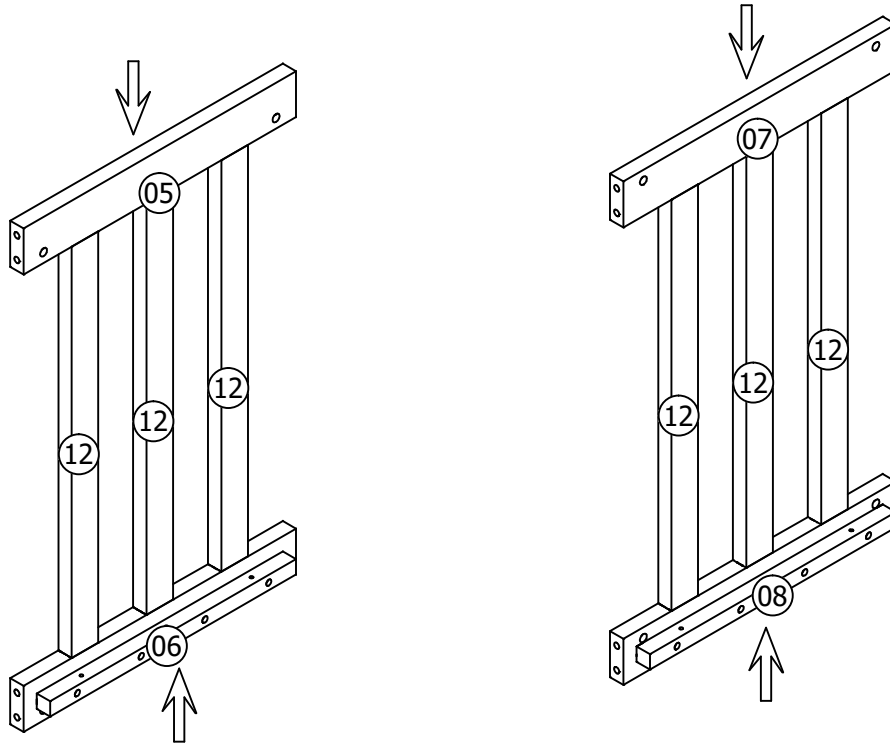
G	 15mm	 Ø6x100mm	01
H	 10mm	 Ø5x60mm	02
I		 Ø8x30mm	53
J	 8mm	 Ø4x30mm	15
K			02



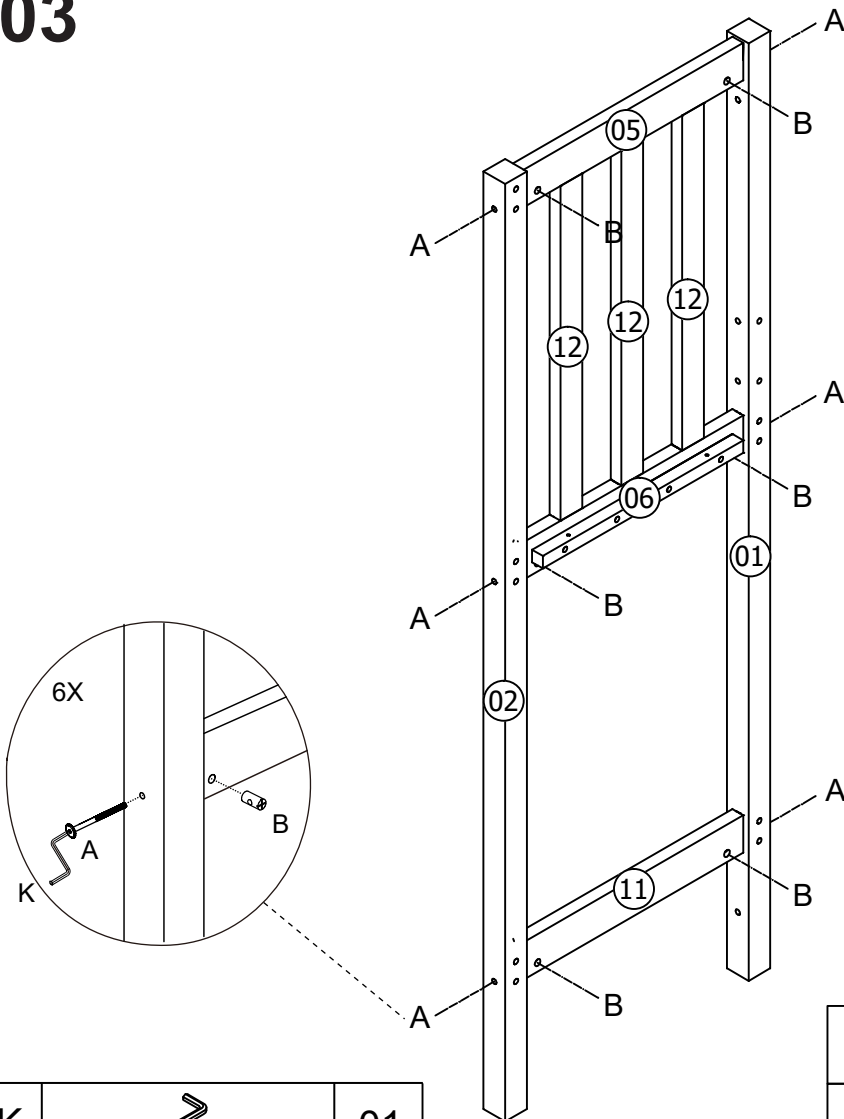
01



02



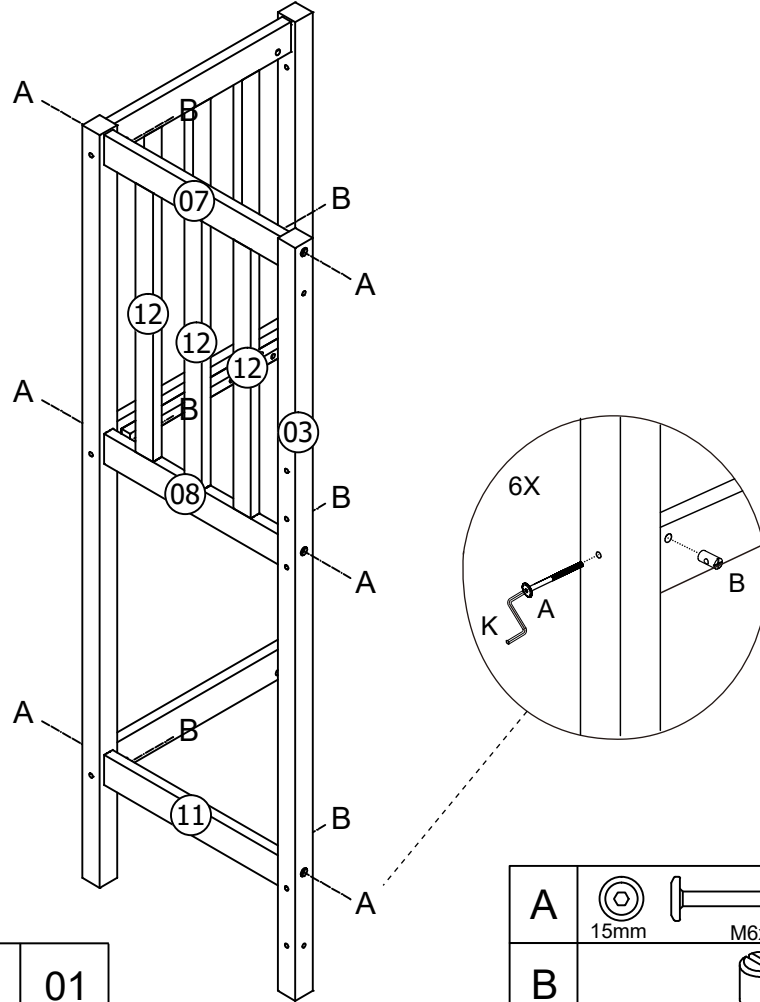
03


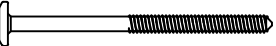




K		01
---	--	----

A		15mm	M6x90mm	06
B				06

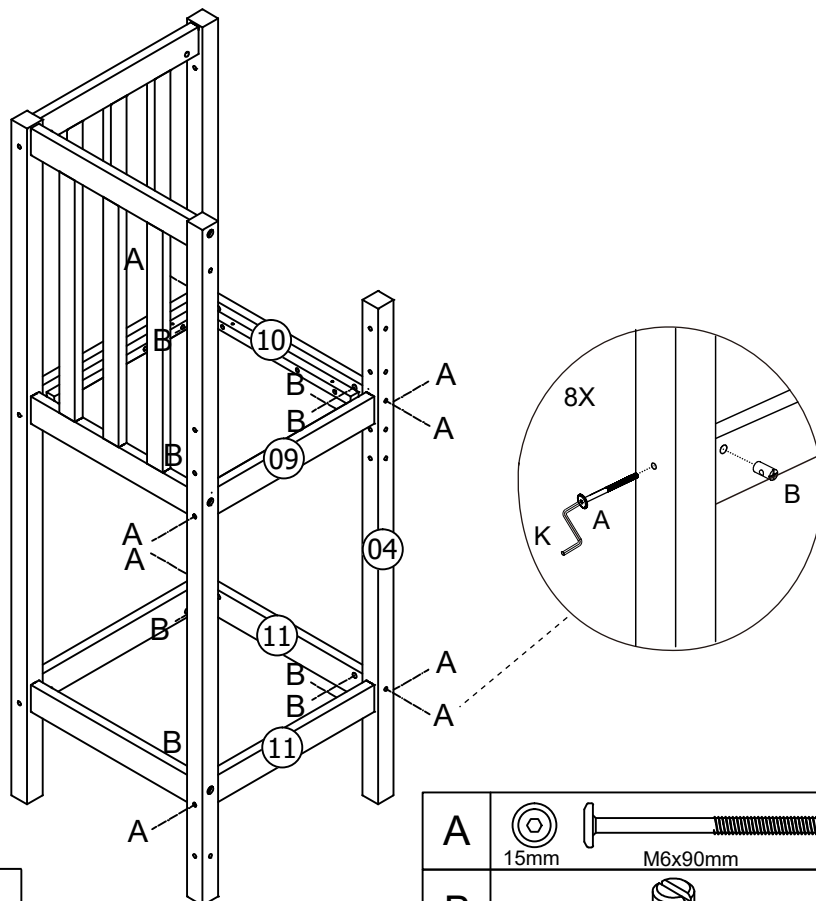
04


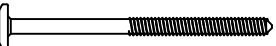



A			06
	15mm	M6x90mm	
B			06

K		01
---	---	----

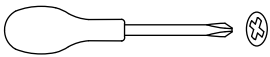
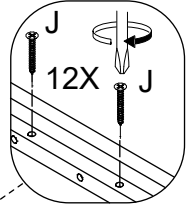
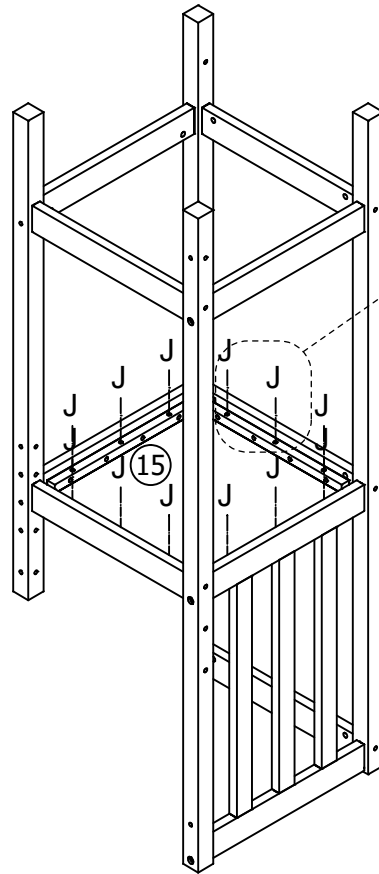
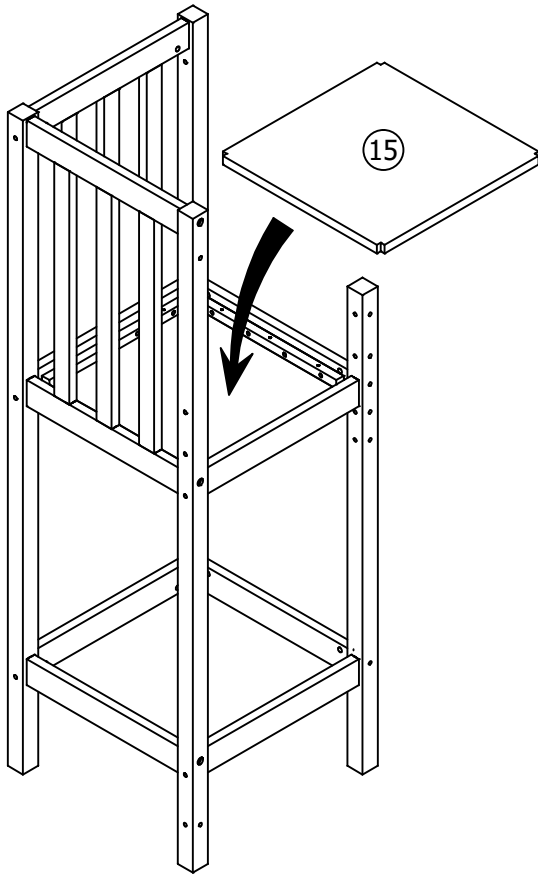
05



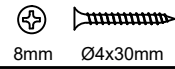
A			08
	15mm	M6x90mm	
B			08

K		01
---	---	----

06

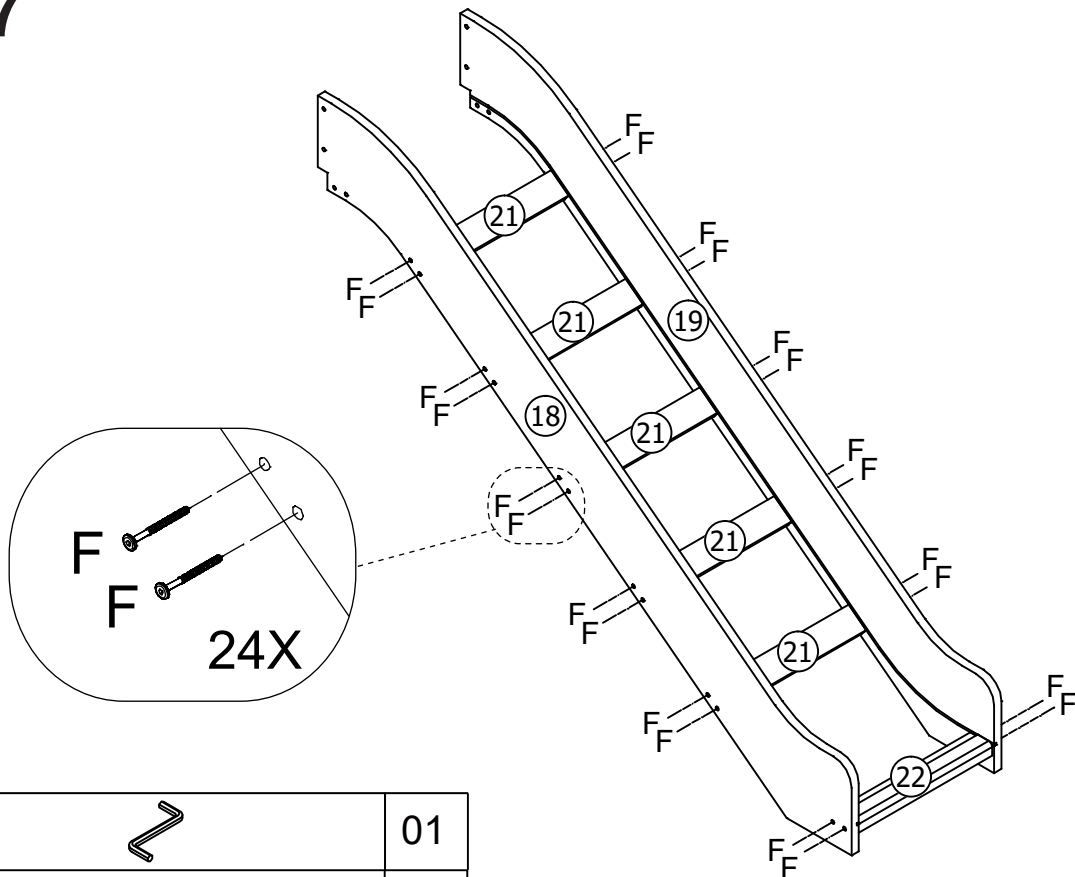


J



12

07

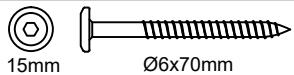


K



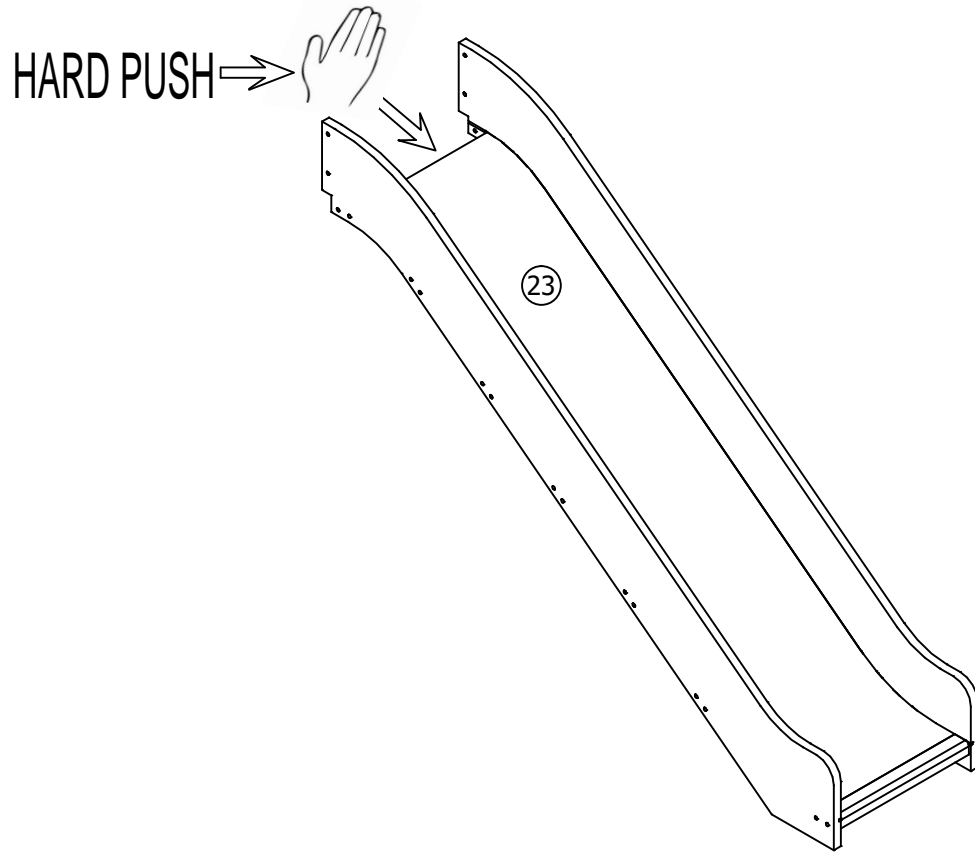
01

F

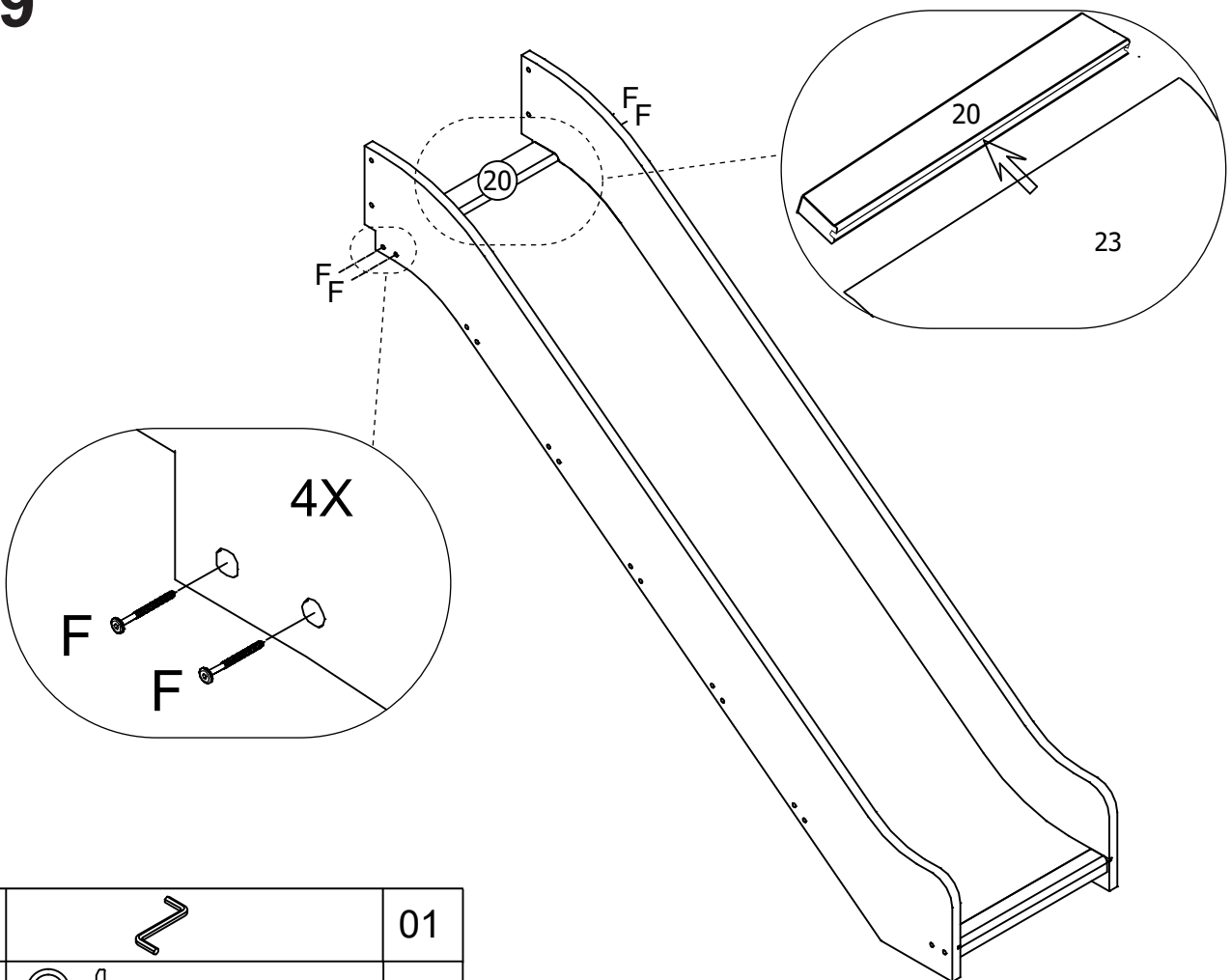



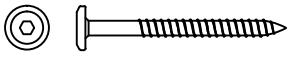
24

08

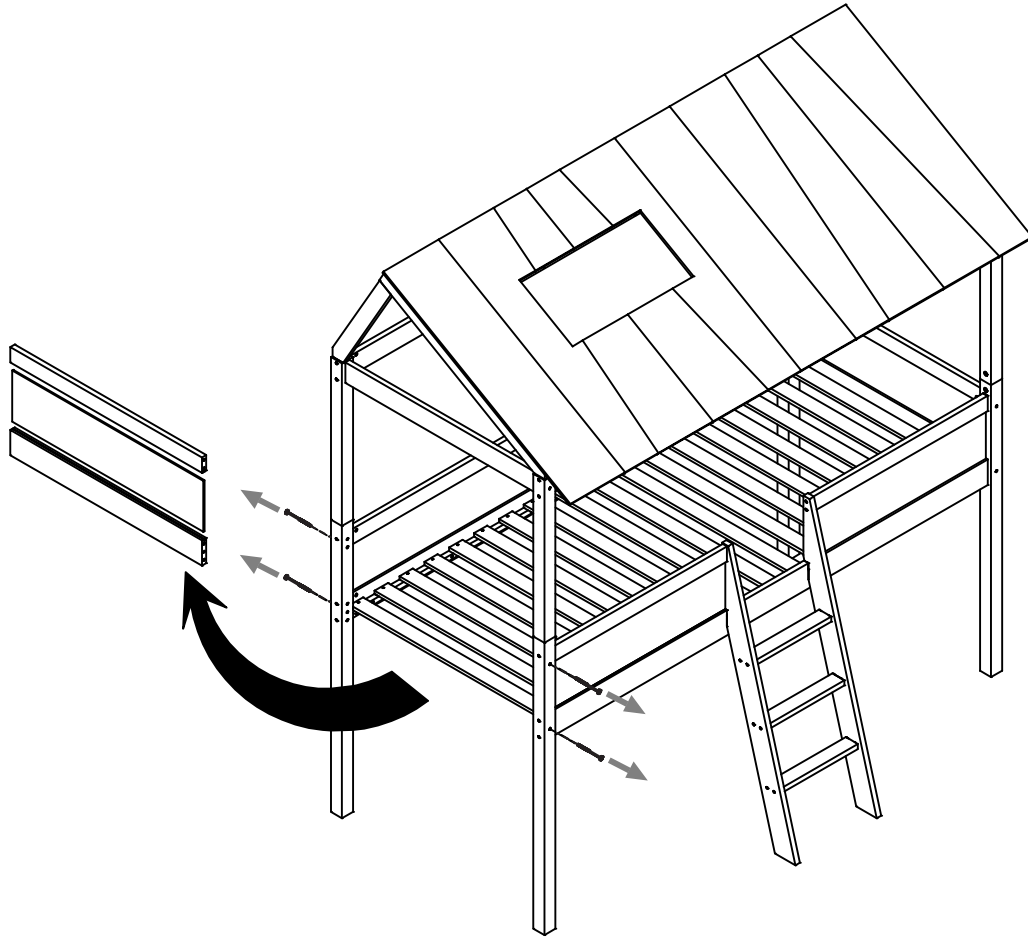


09

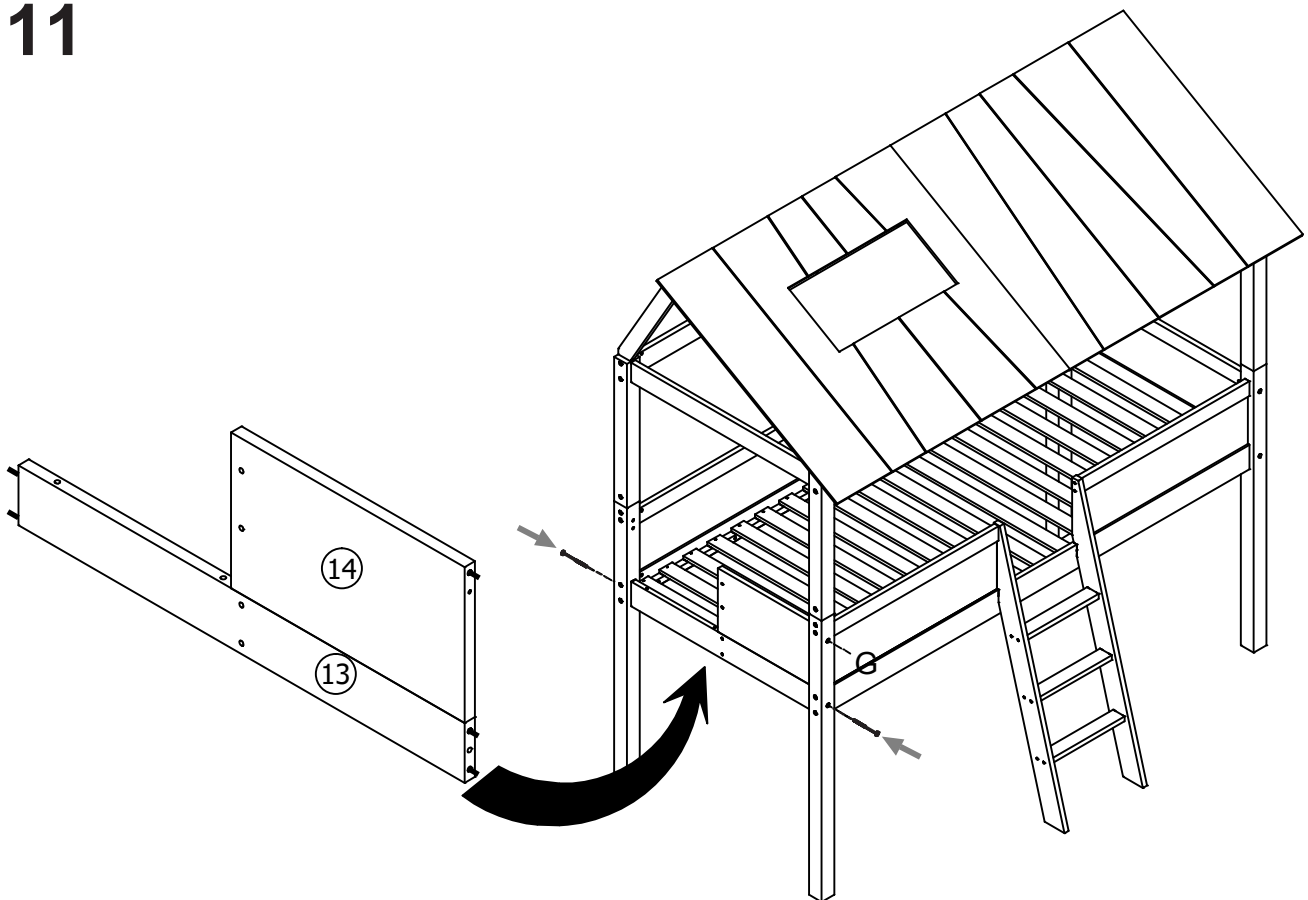


K		01
F		04

10



11

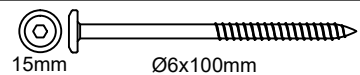


K



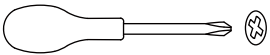
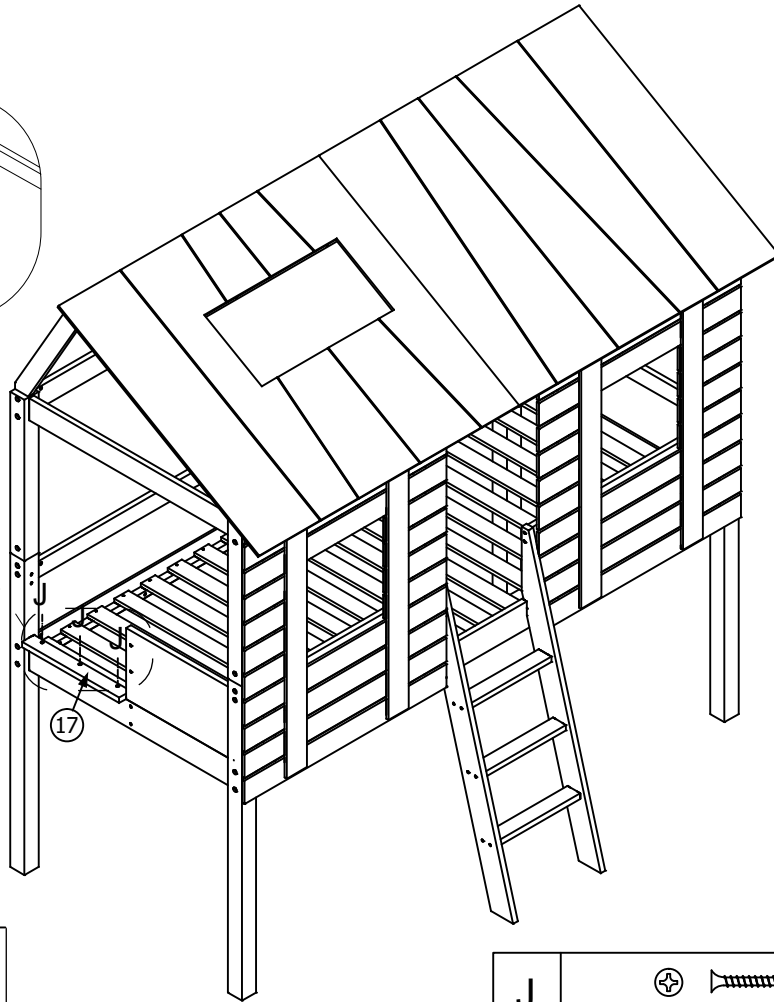
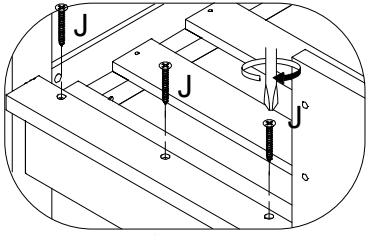
01


G



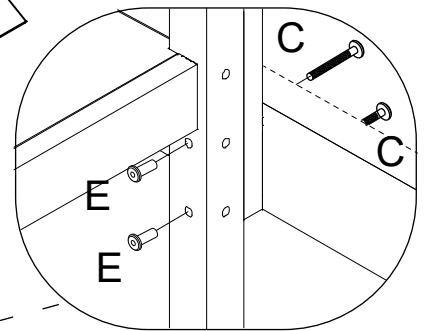
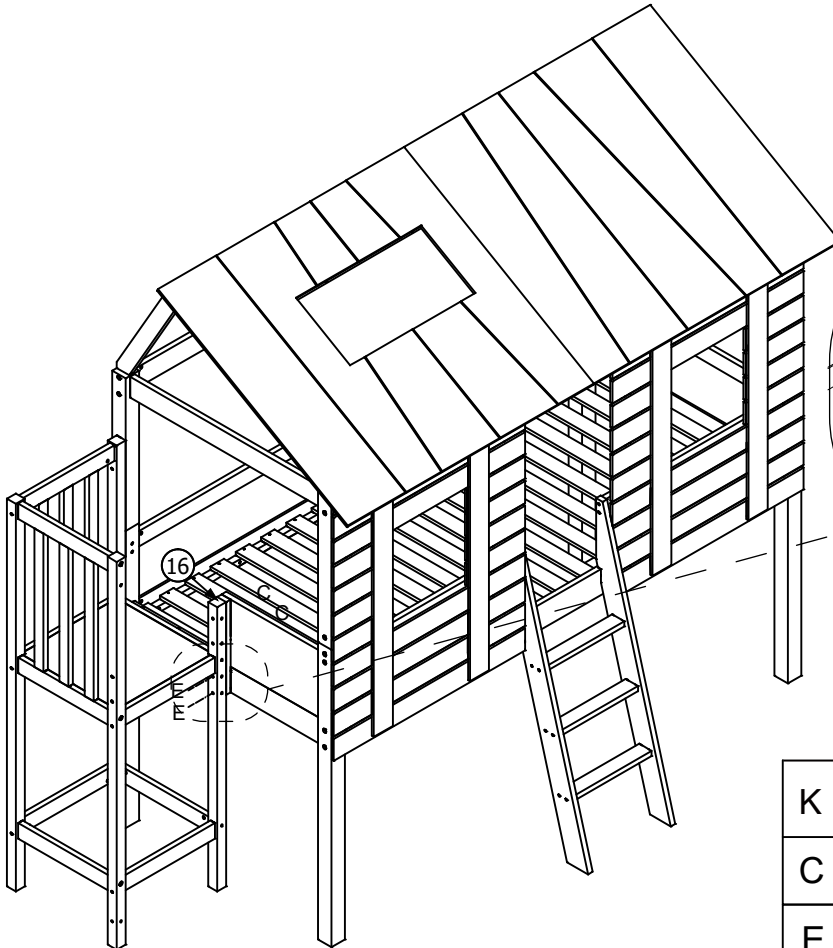
01



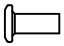
12



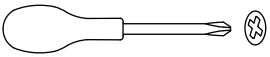
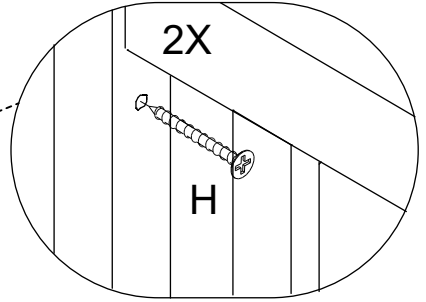
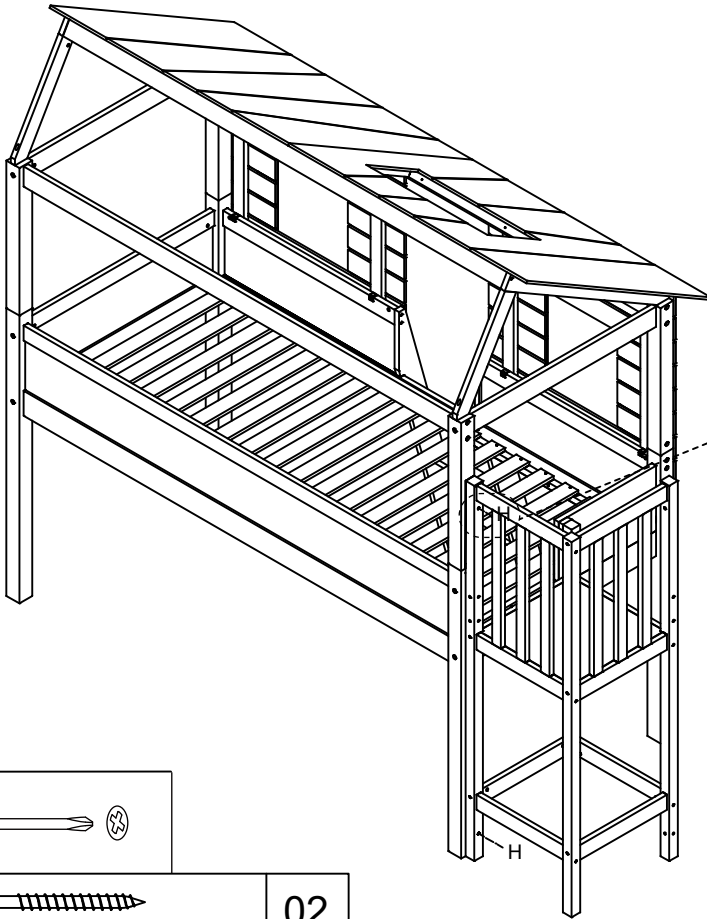
J	 8mm Ø4x30mm	03
---	--	----

13



K		02
C	 15mm M6x70mm	02
E	 15mm M8x20mm	02

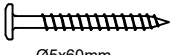
14



H



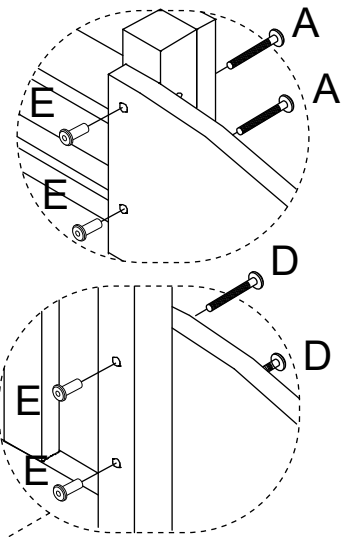
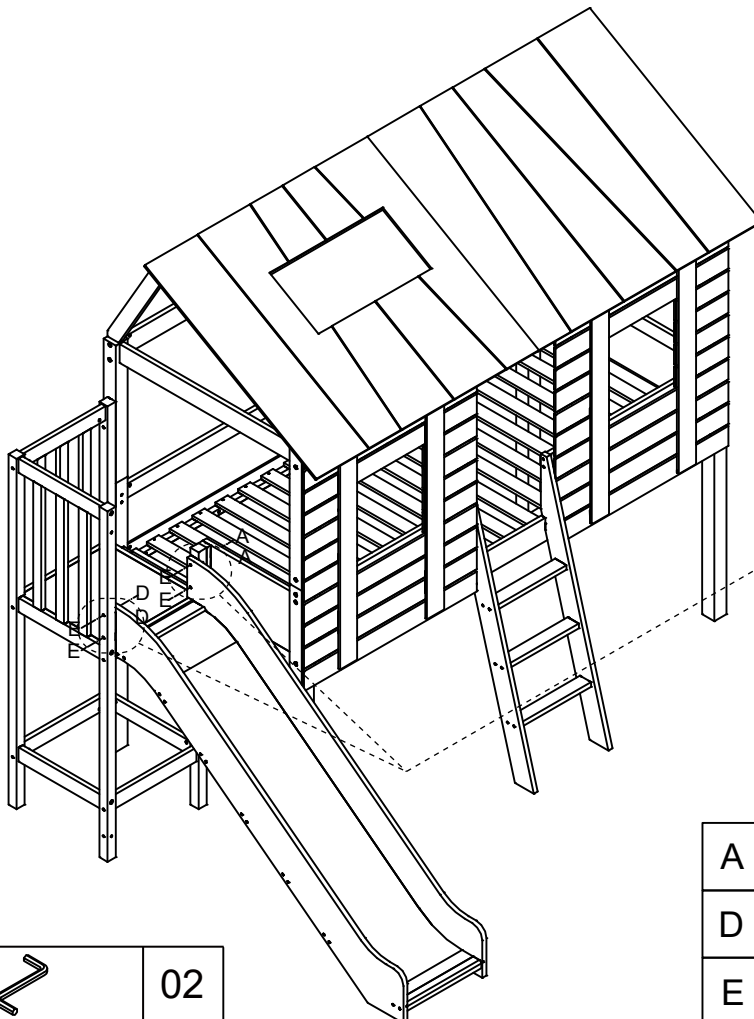
10mm



Ø5x60mm

02

15



K



02

A		15mm	M6x90mm	02
D		15mm	M6x50mm	02
E		15mm	M8x20mm	04

Safety Information

Please ensure the item is fully tightened and secured. We would also recommend checking the bolts of the item over time to ensure that the item is still secured correctly, this will guarantee you will be able to enjoy the product for many years to come.

Return Information

If you have any problems with the item just email us at info@noaandnani.co.uk or give us a call and we can resolve it for you, our technical team will be able to assist in helping. If you have any parts that are damaged we can replace them for you. If you do need to return the item for some reason just email us to request an RMA number and fill in the form on the next page and we can arrange the return of the goods.

Assembly Information

We understand that self assembly furniture can be a pain but we try and make it as easy as possible for anyone to build, if you have found a problem with the assembly of the product or with the assembly instructions or you have comments on how we would improve them, we would love to hear from you. Just contact us either by email at productadvice@noaandnani.co.uk or by phone.

Related items

We have a matching range of items that compliment this product, just head to noaandnani.co.uk for the full selection.

NÖA & NANI
FAMILY FURNITURE



www.NoaandNani.co.uk



Return Merchandise Authorization RMA

Buyers Name:

Address:

Postal Code:

Telephone:

RMA Number:

Signature:

Number of Packages to Return:

Collection Charge Amount:

RMA Agreement

All goods will be returned as per request, if there are multiple packages these will all be returned. The courier will collect the amount of packages as stated. Any failure to give all the packages to the courier will result in an additional collection fee and/or a deduction from the refund total.

Images of returned packages included. Please tick

(Why do we require images?) Due to the nature of our oversized items going through the courier networks it is important that prior to booking in the collection, we can see the size of the parcels being returned. This avoids couriers attempting a collection and refusing to collect the goods, which means you haven't wasted time waiting in for the collection not to take place.

Failed Collections

If a collection is booked in and the collection fails due to no-one being at the property to give the goods back, a fee of 50% off the collection charge will be charged. The collection will then need to be booked in again and an additional collection charge will be incurred.

IMPORTANT: Please ensure the RMA Number is clearly written on all of the packages. This will ensure the refund will be processed swiftly.