


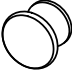

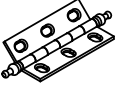


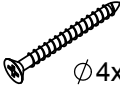
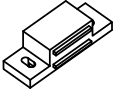


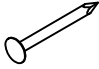
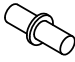
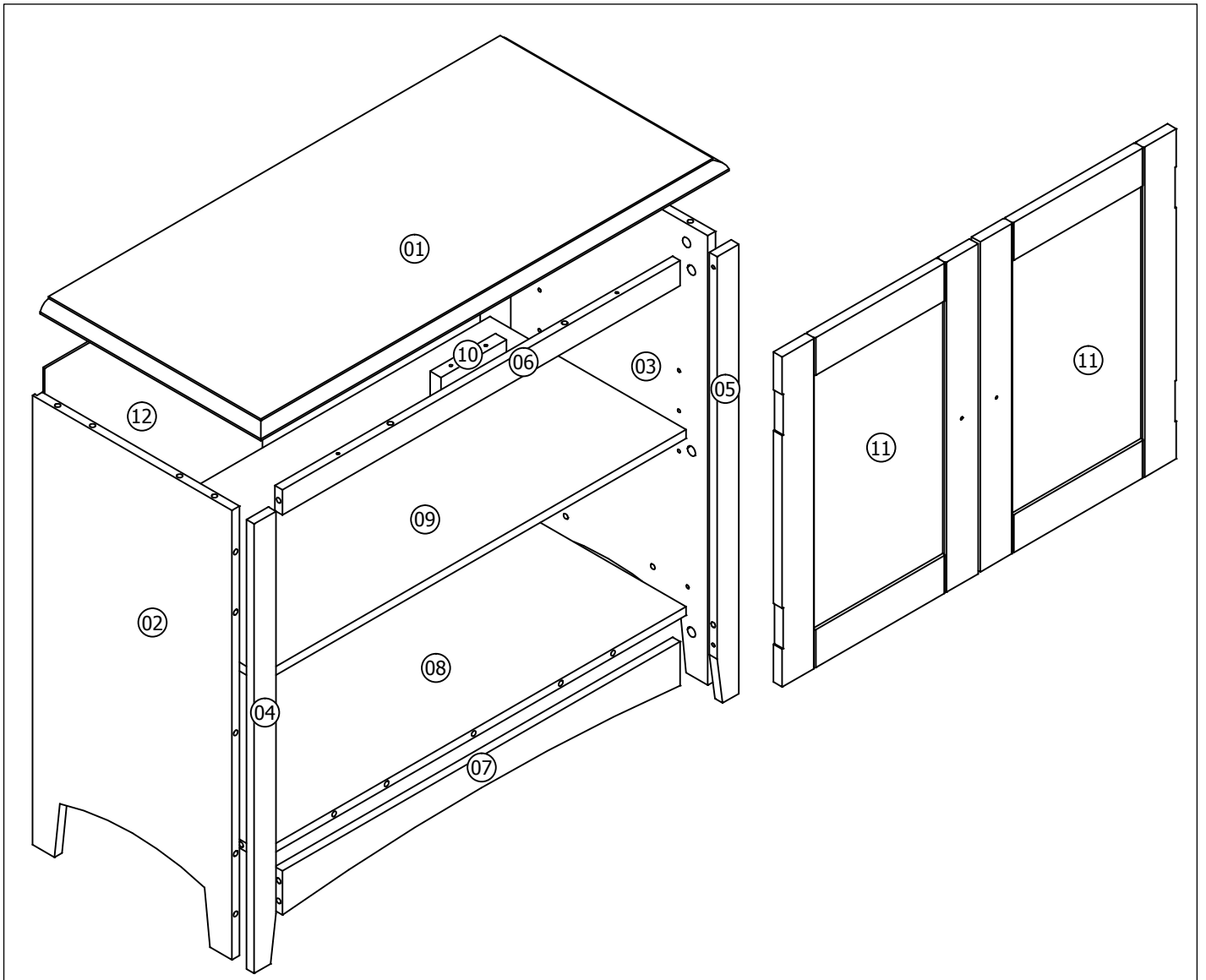


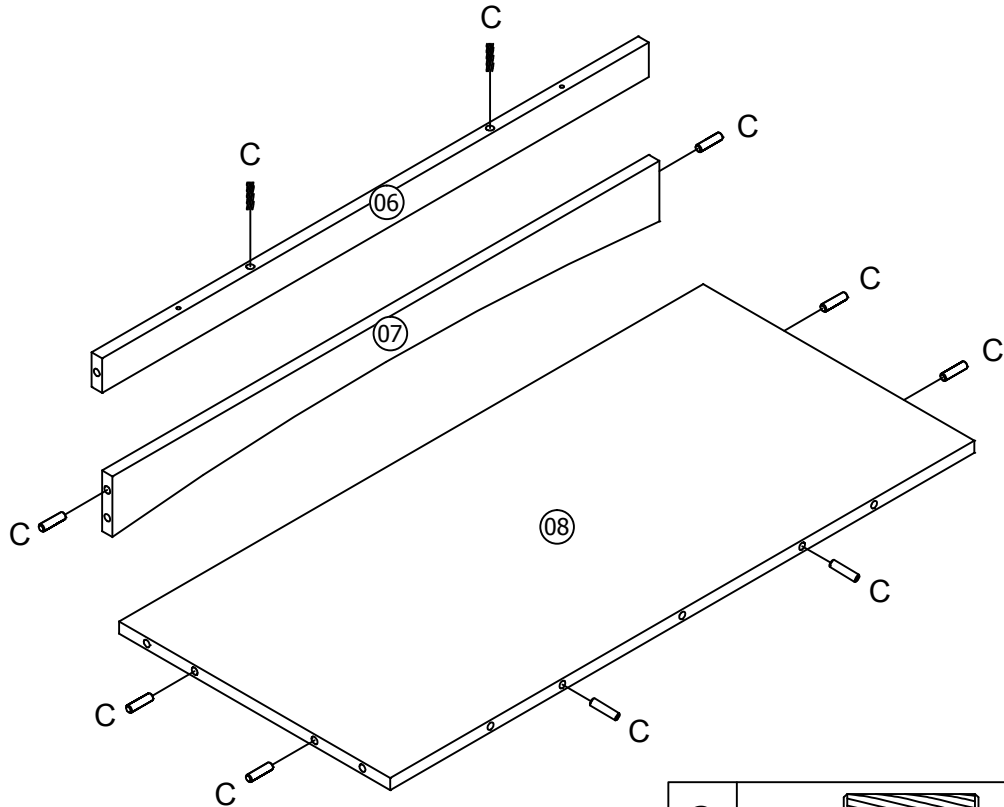
HARDWARE


A		21
B		21
C	 Ø8x30mm	18
D		02
E	 M4x15mm	02
F		04
G	 Ø3x16mm	24

H	 Ø3.5x25mm	02
I	 Ø4x35mm	02
J		04
K		04
L	 Ø3x12mm	16
M		24
N	 Ø5x14mm	04

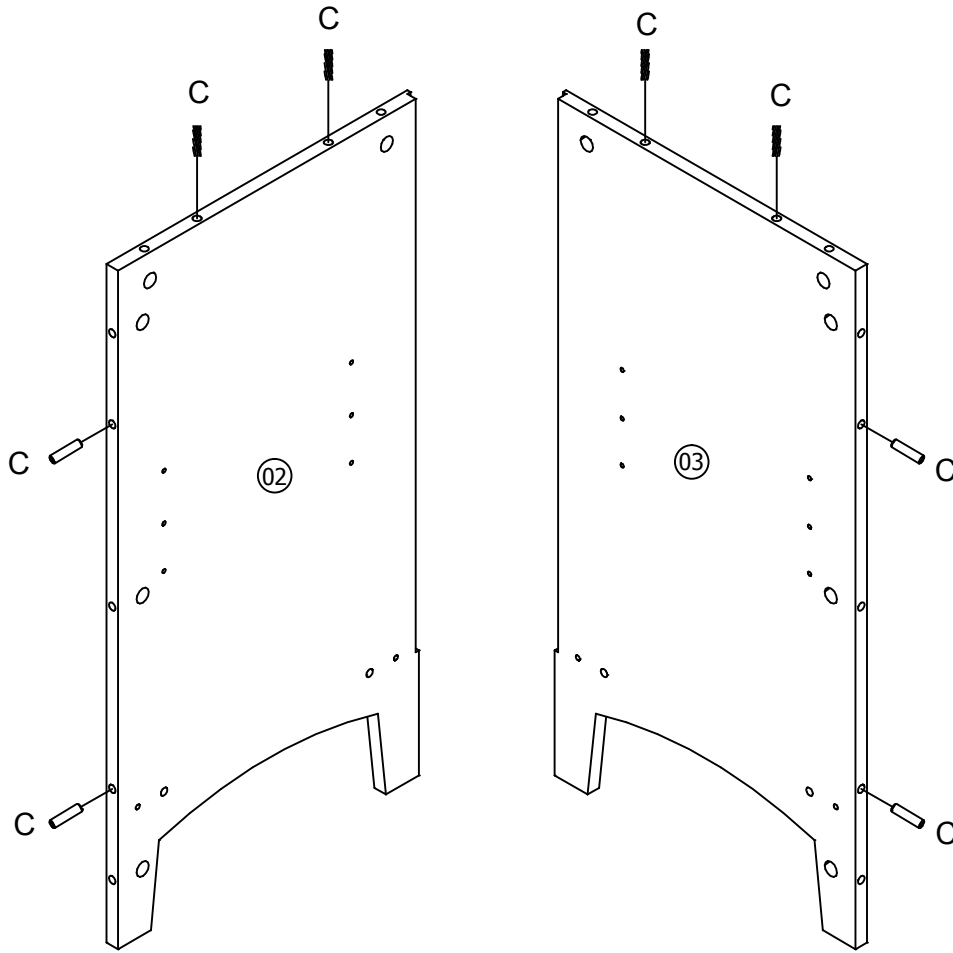



01



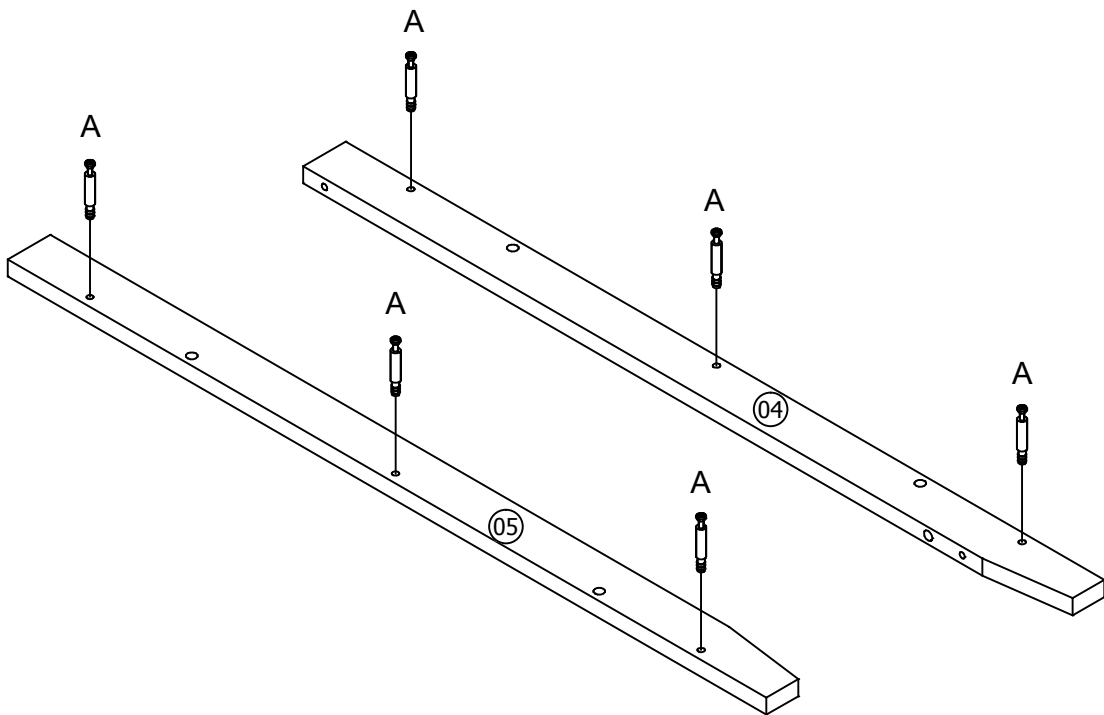
C	 Ø8x30mm	10
---	--	----


02



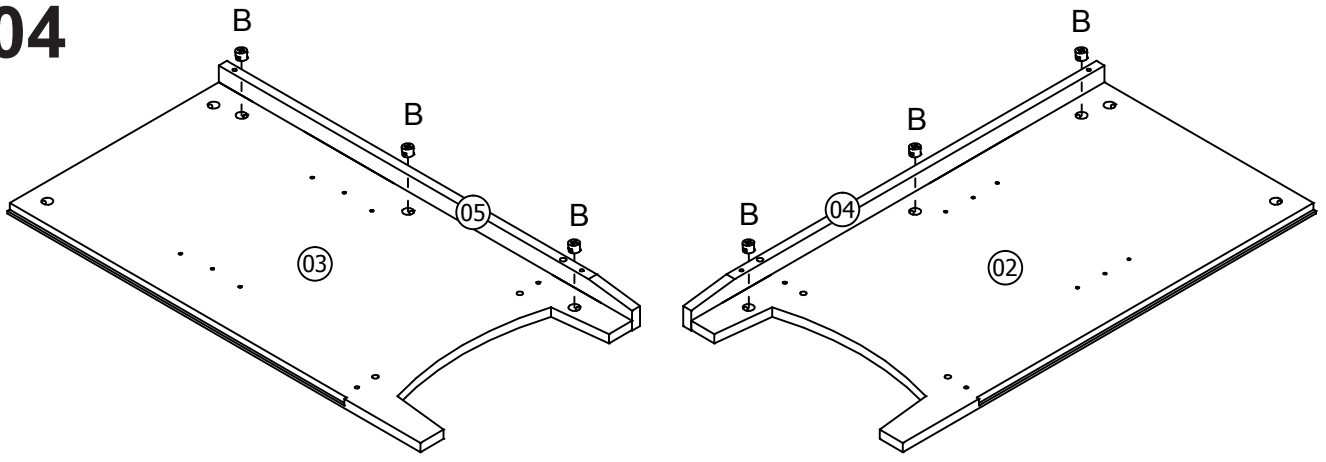
C	 Ø8x30mm	08
---	--	----


03



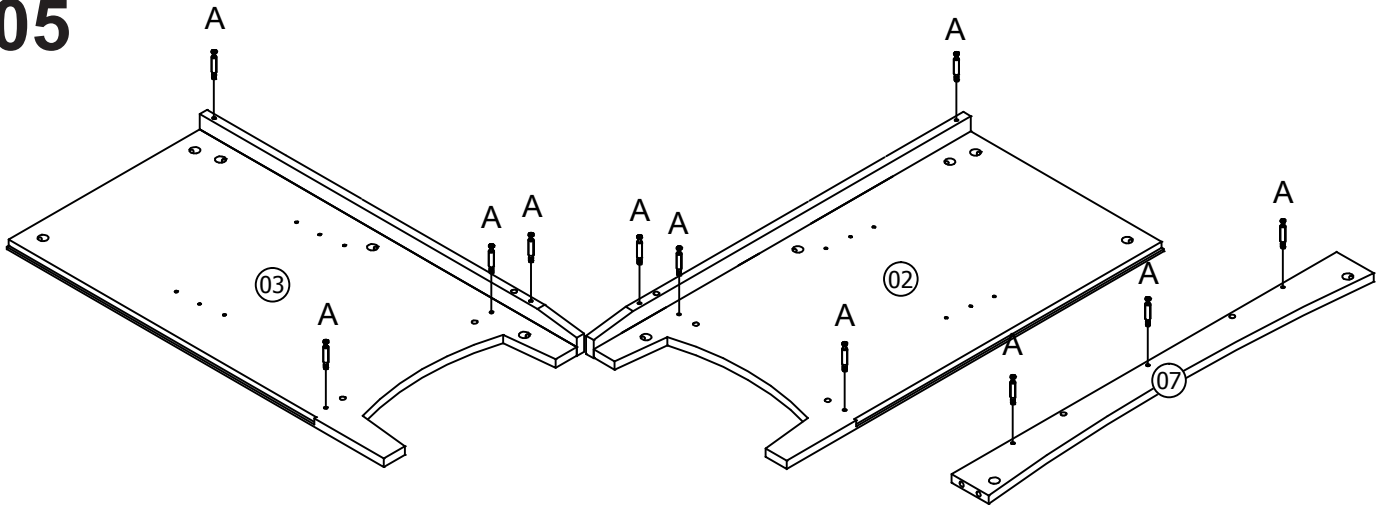
A		06
---	---	----


04



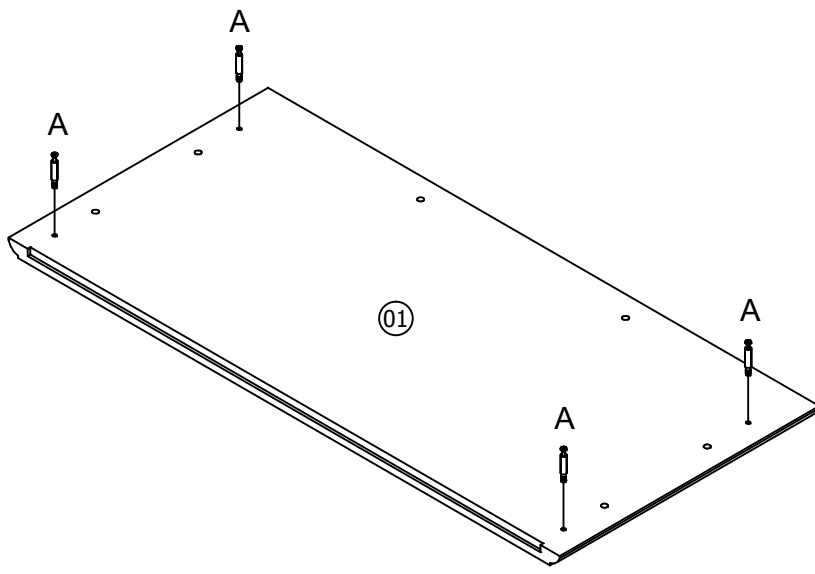
B		06
---	---	----

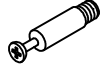
05



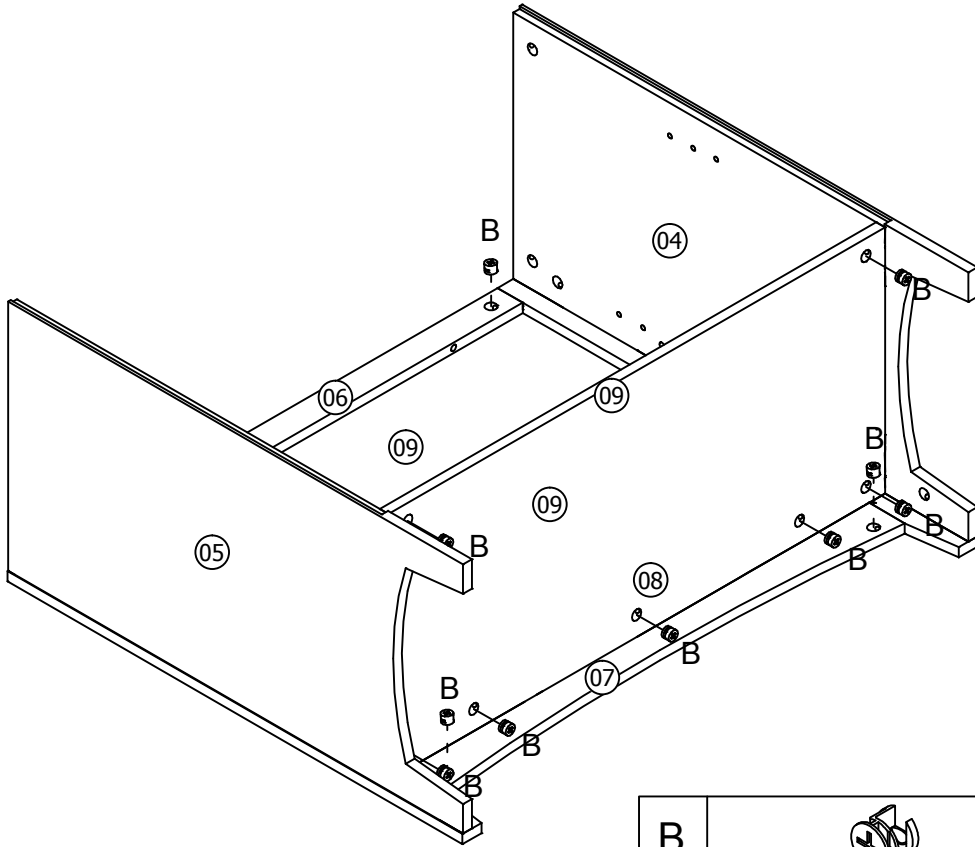
A		13
---	---	----

06



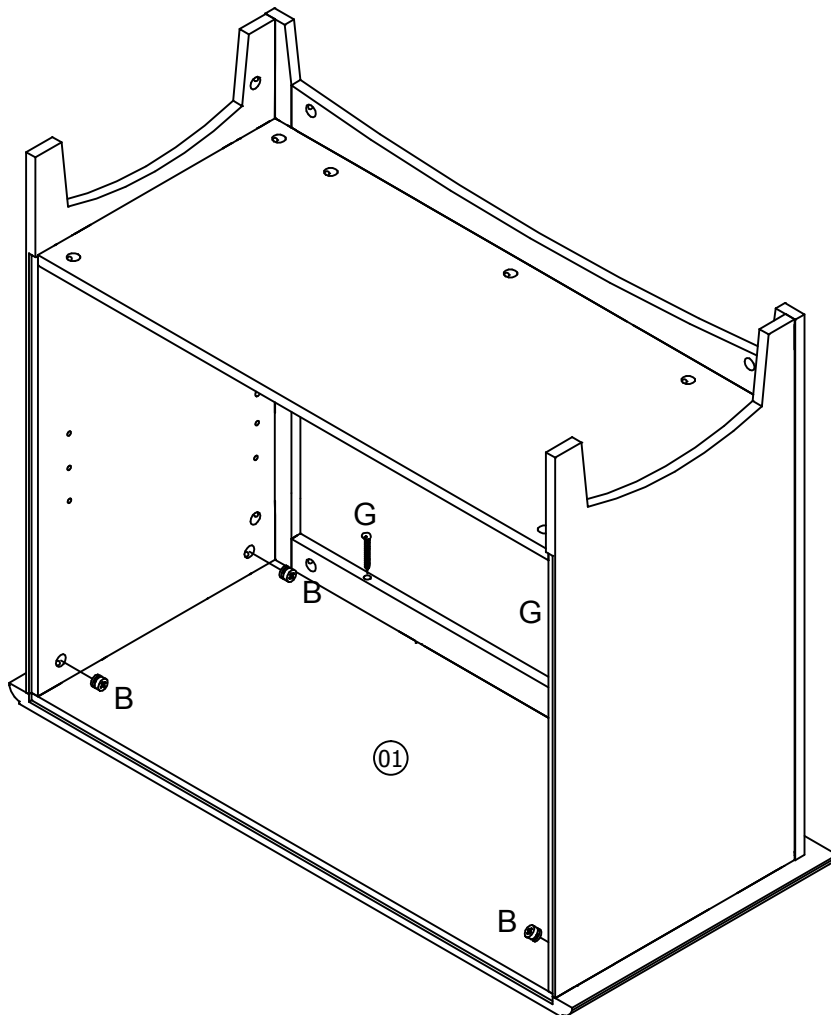
A		04
---	---	----

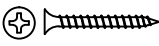
07



B		13
---	---	----

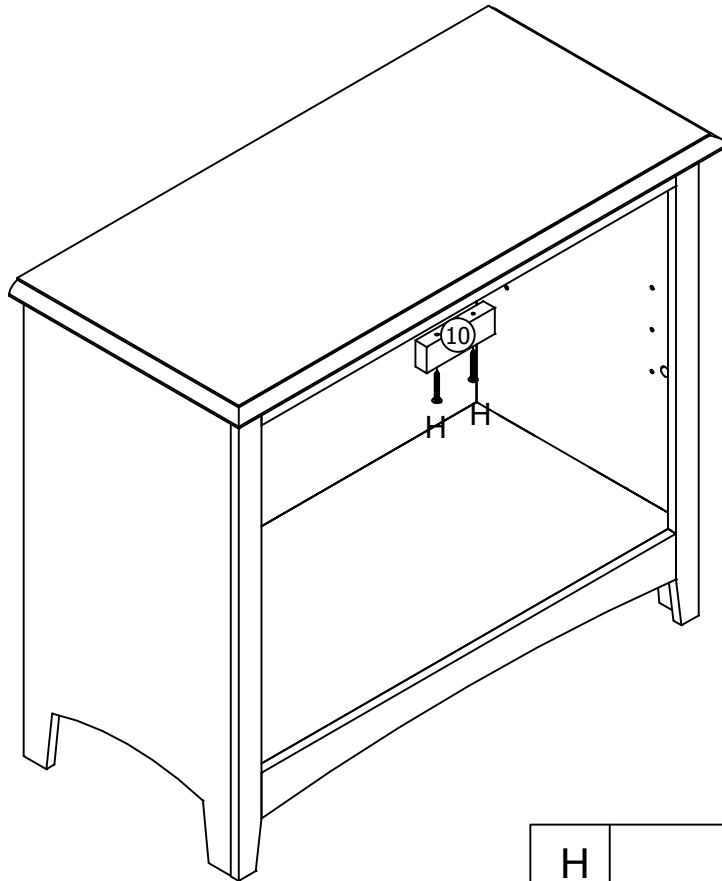
08




G	 8mm Ø4x35mm	02
---	--	----

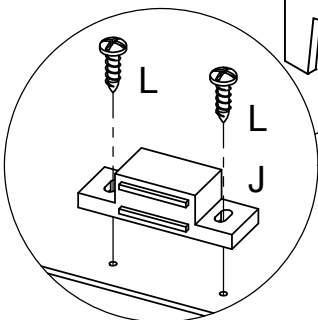
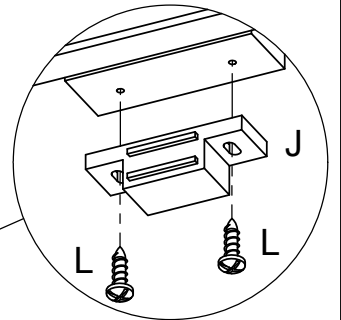
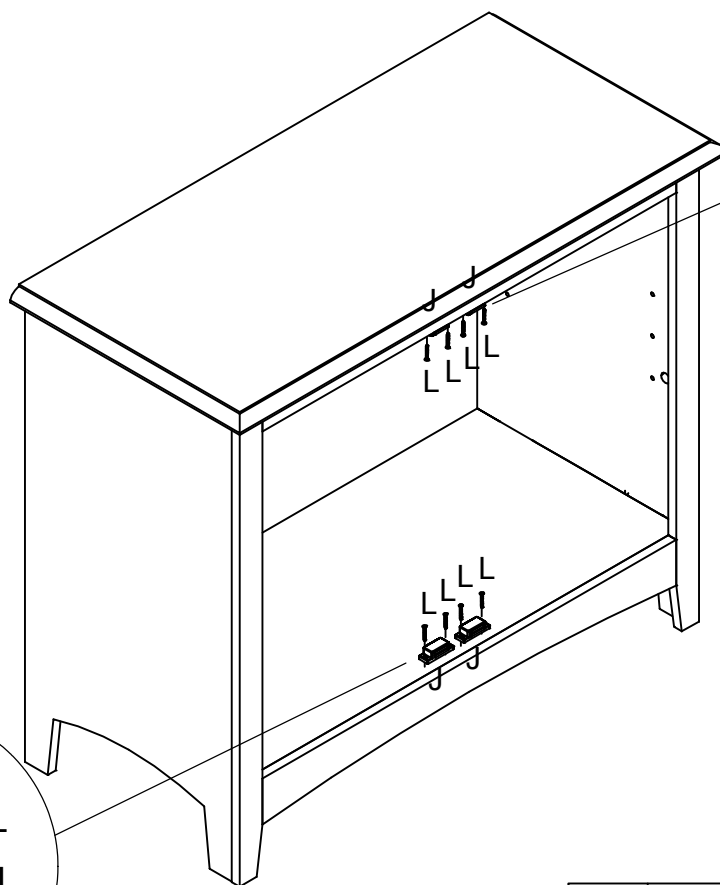
B		04
---	---	----



09



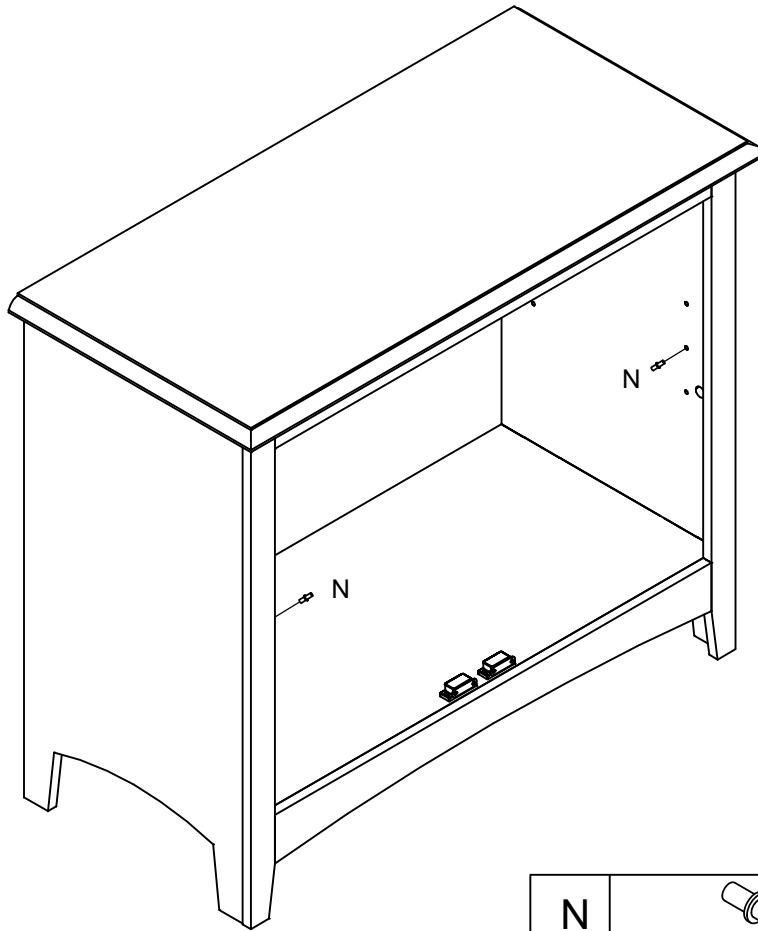
H	 Ø3.5x25mm	02
---	--	----

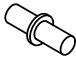
10



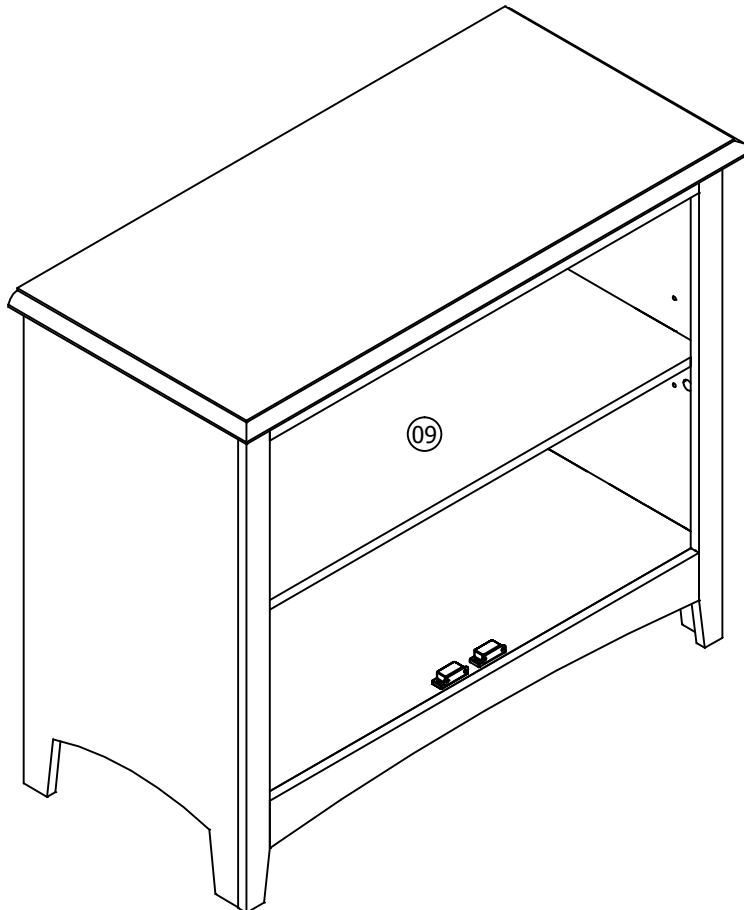
J		04
L	 Ø3x12mm	08

11

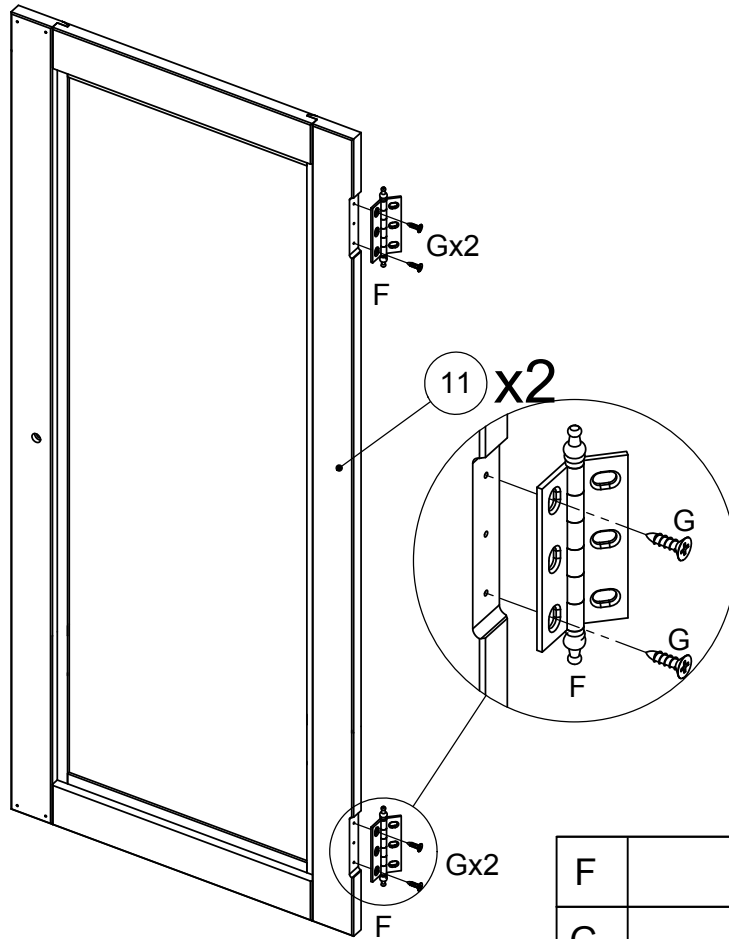




N	 Ø5x14mm	04
---	---	----

12

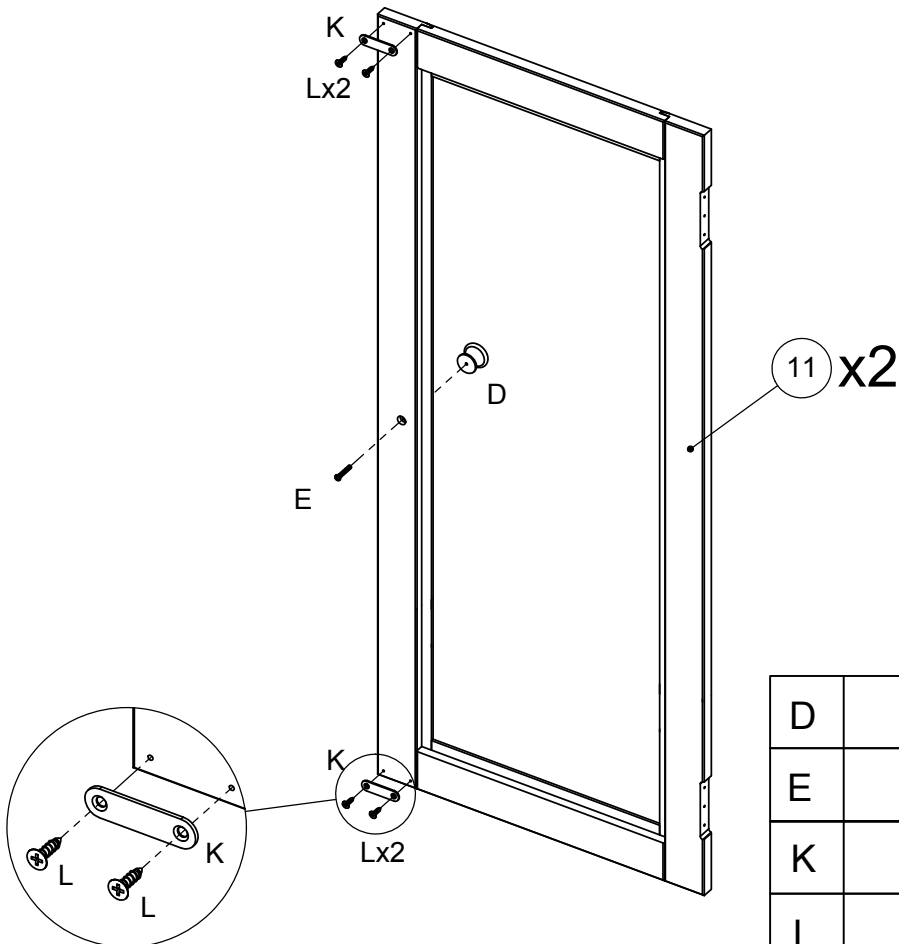






13



F		04
G	 Ø3x16mm	08

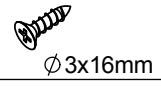
14



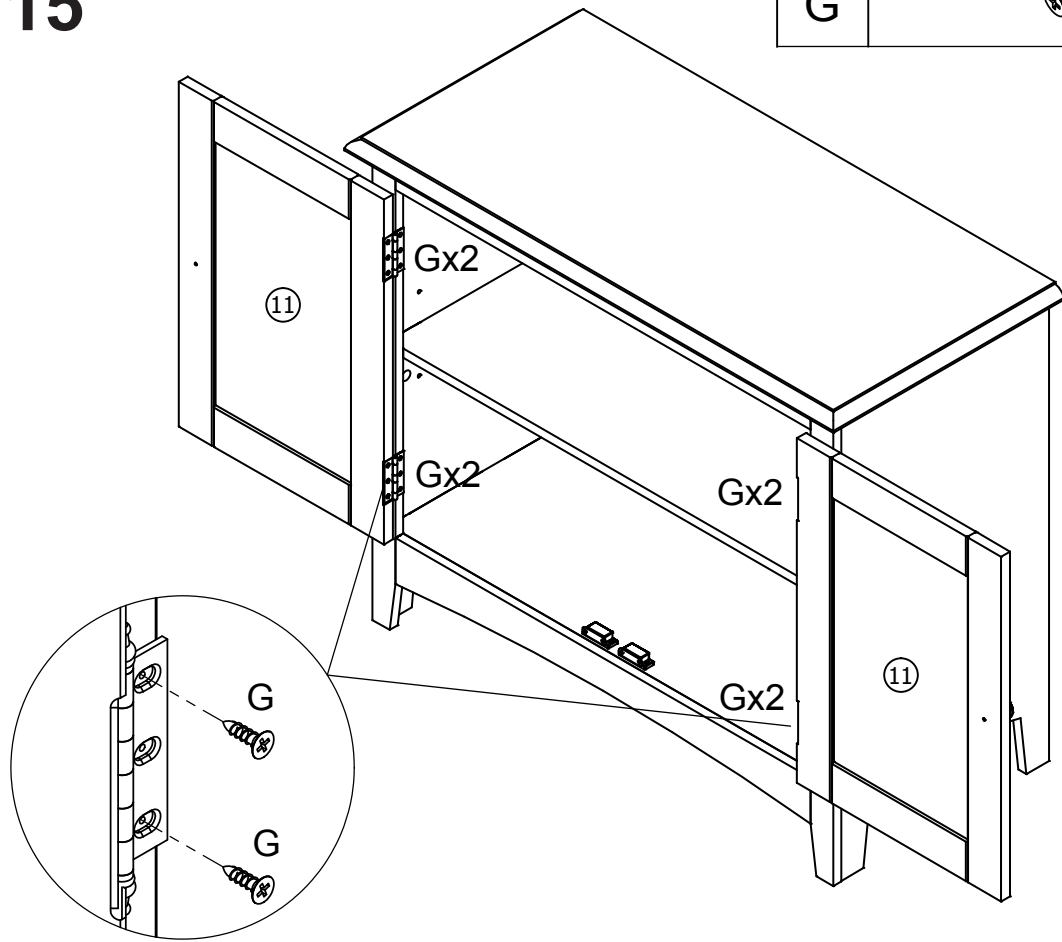
D		02
E	 M4x15mm	02
K		04
L	 Ø3x12mm	16

15

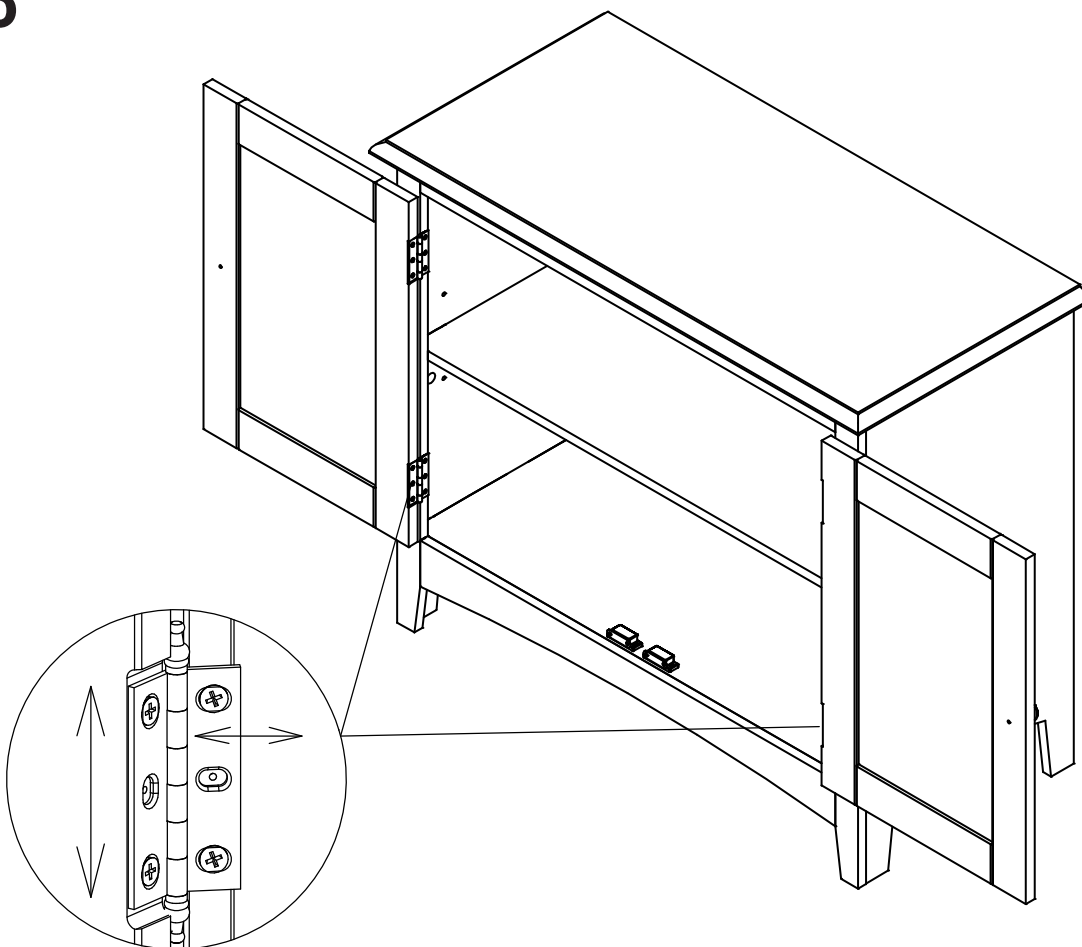
G



08

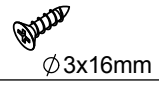


16

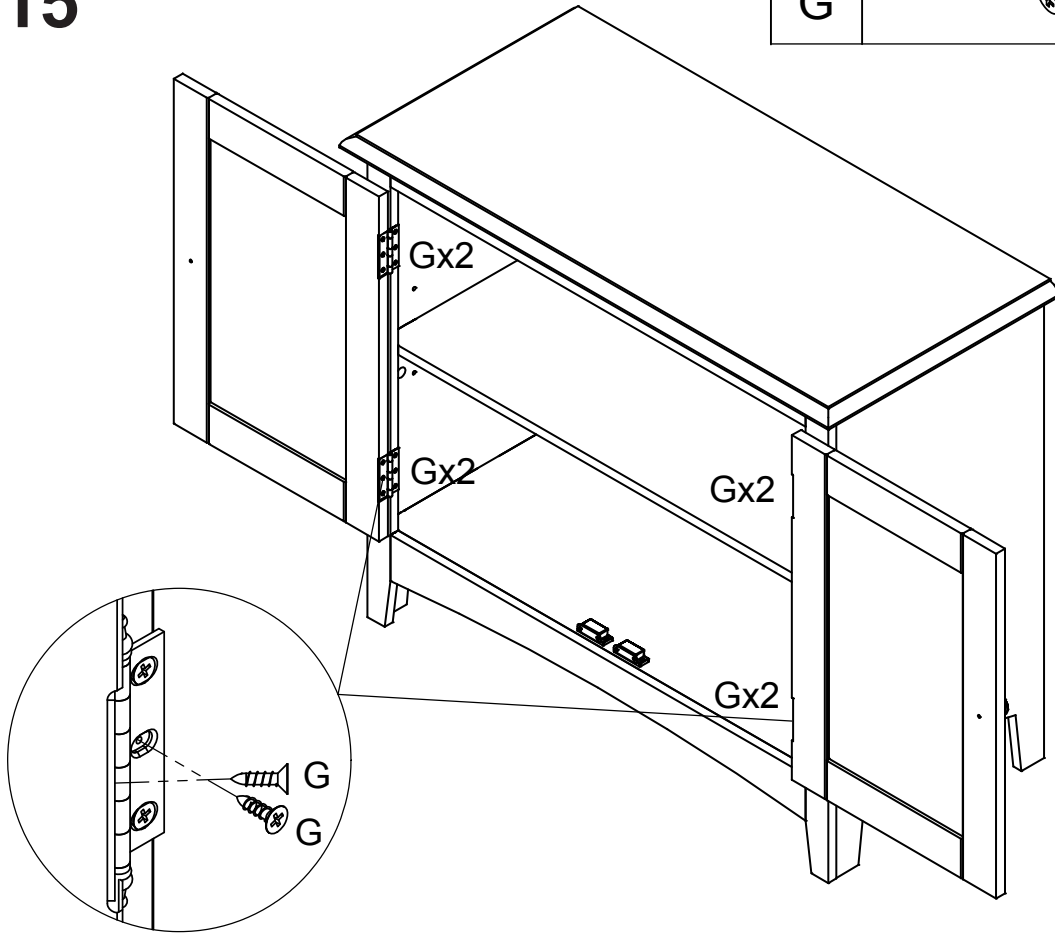


15

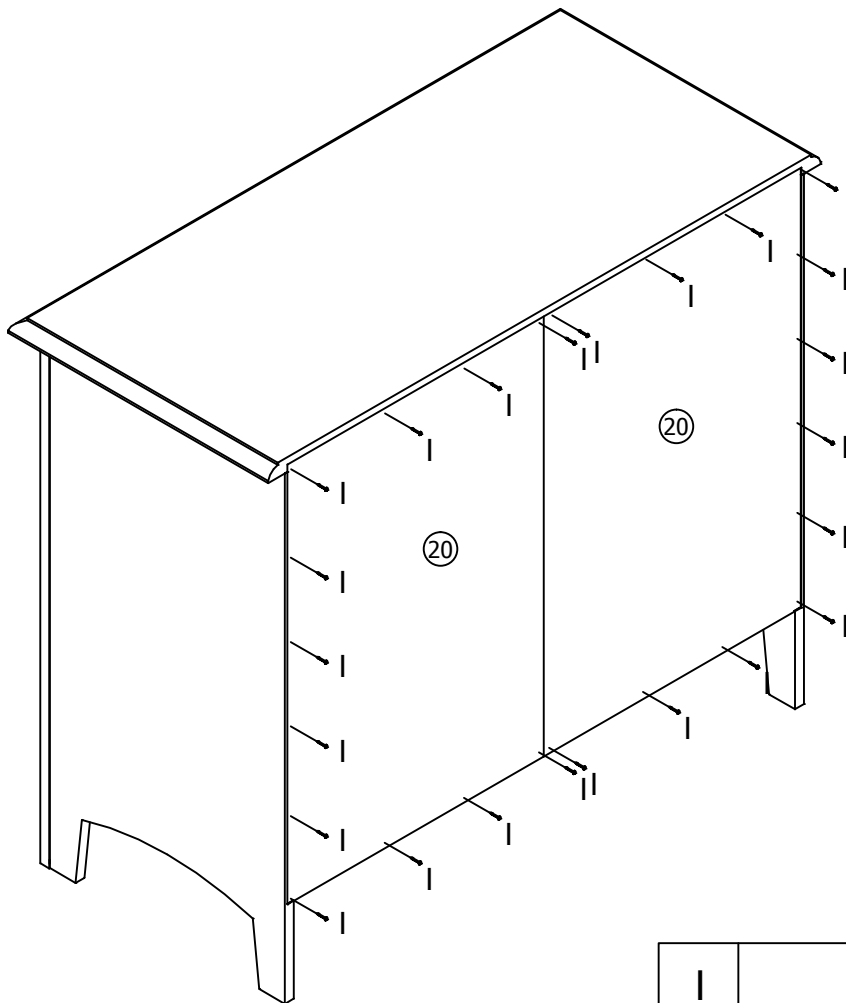
G



08



16



I



24