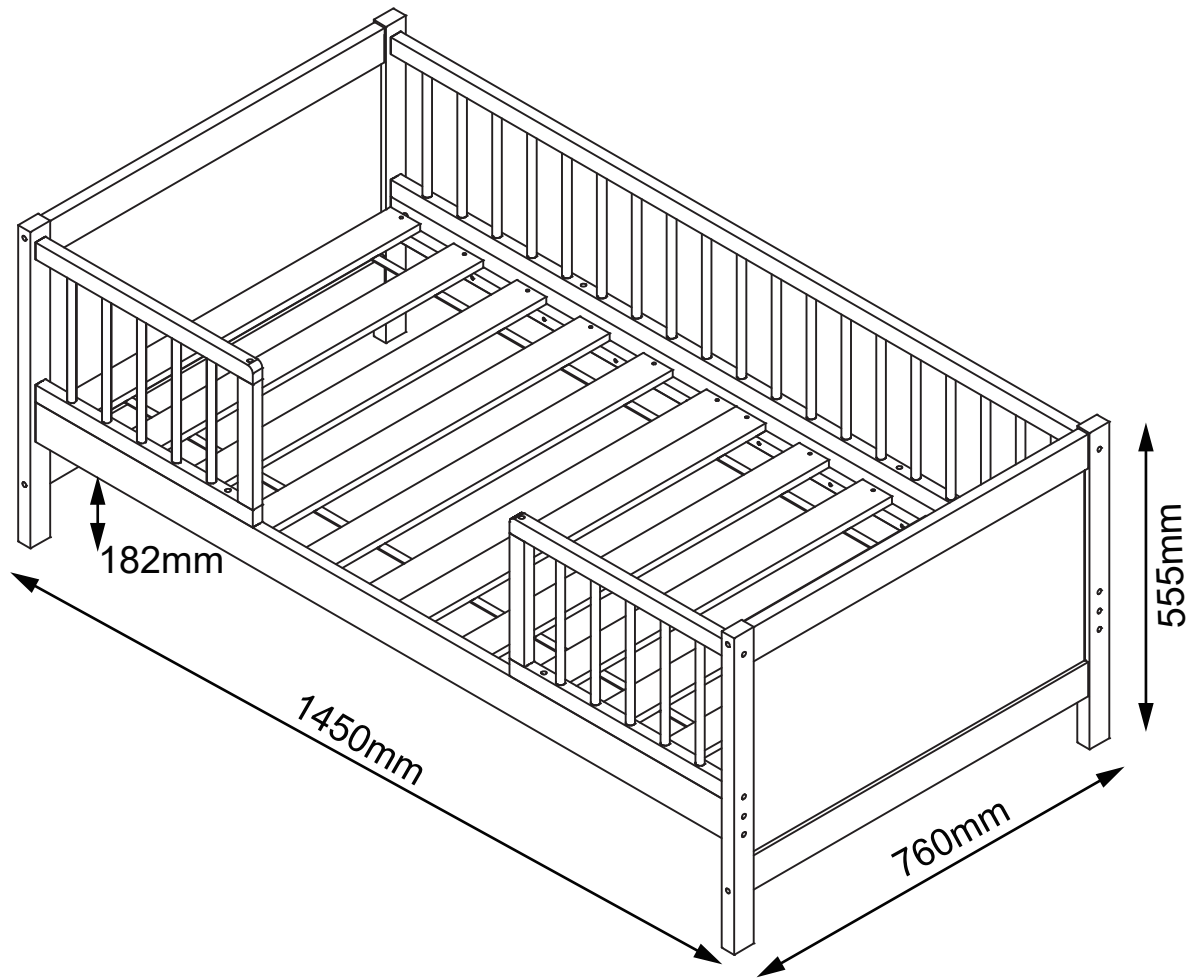
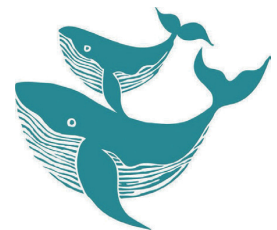


JZ25006

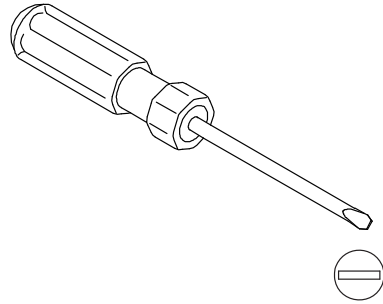
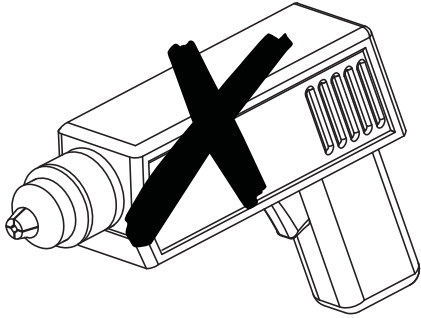


NÖA & NANI

FAMILY FURNITURE



**ANNI TODDLER BED
ASSEMBLY INSTRUCTIONS**

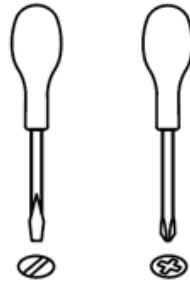


WARNING



**DO NOT USE
POWERTOOLS TO
ASSEMBLE THIS
PRODUCT**

Tools Required



CAUTION: Do not use tools other than those required, as this can damage your new item.

NOTE

- Please check you have all hardware before assembling.
- If you are missing any hardware, please contact the store of purchase.
- Please ensure you have the name of the item, required hardware part and quantity.
- Please retain your receipt as proof of purchase to validate your warranty.

CAUTION

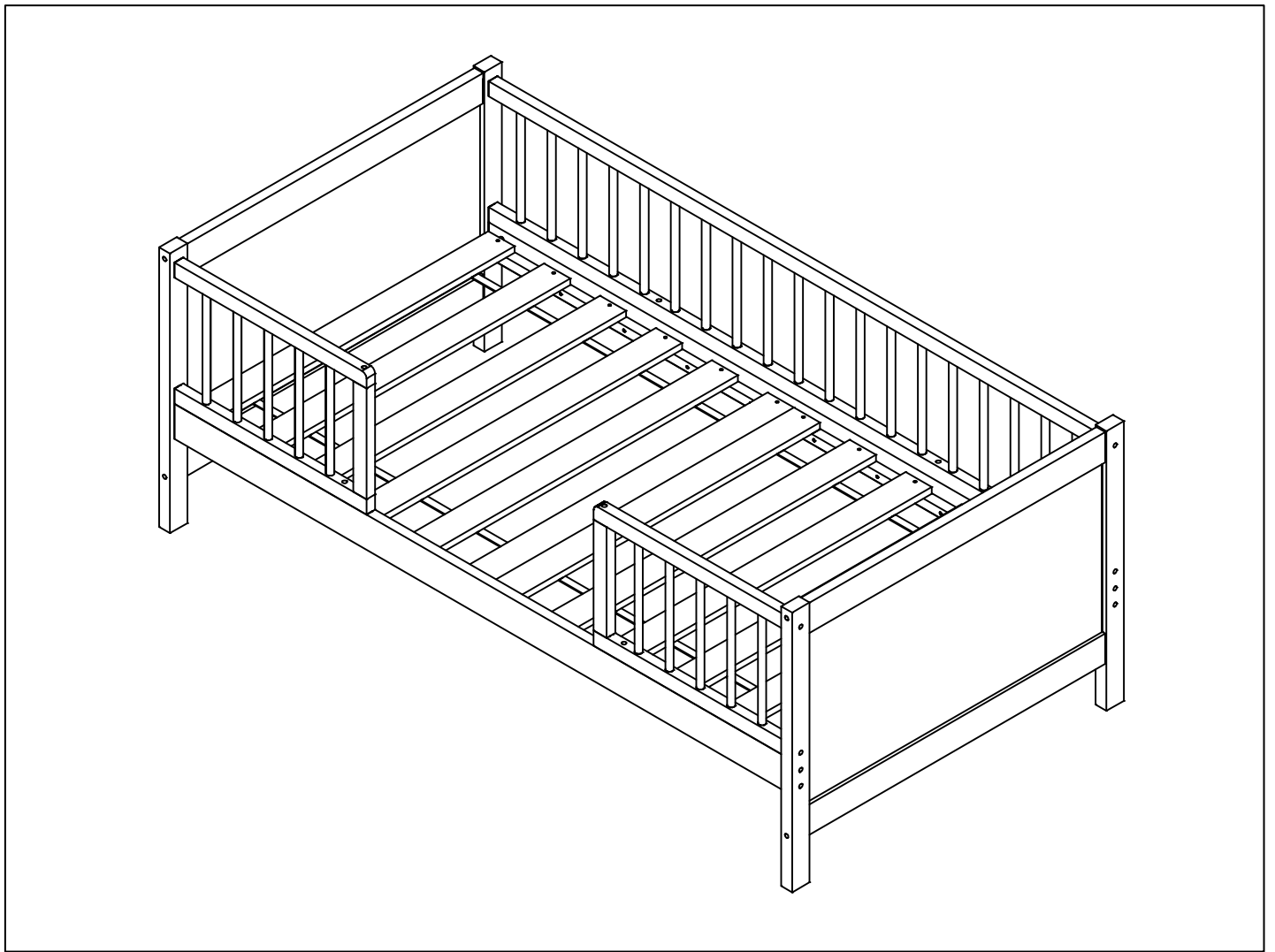
- Do not tighten screws before all screws are in the right place.
- Do not use this product unless all bolts, screws and knobs are firmly secured.
- Check that all bolts, screws and knobs are securely tightened at least every 4 months.

WARNING

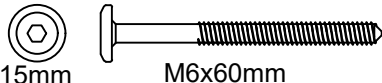
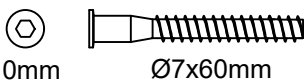


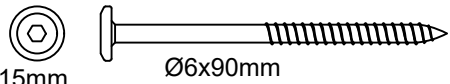
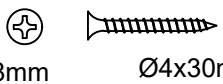
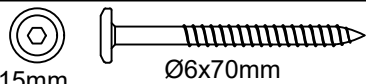

- If parts are missing, broken, damaged or worn stop using the product until all repairs are made using manufacturer authorised parts.
- Failure to follow these warnings could result in serious injury.

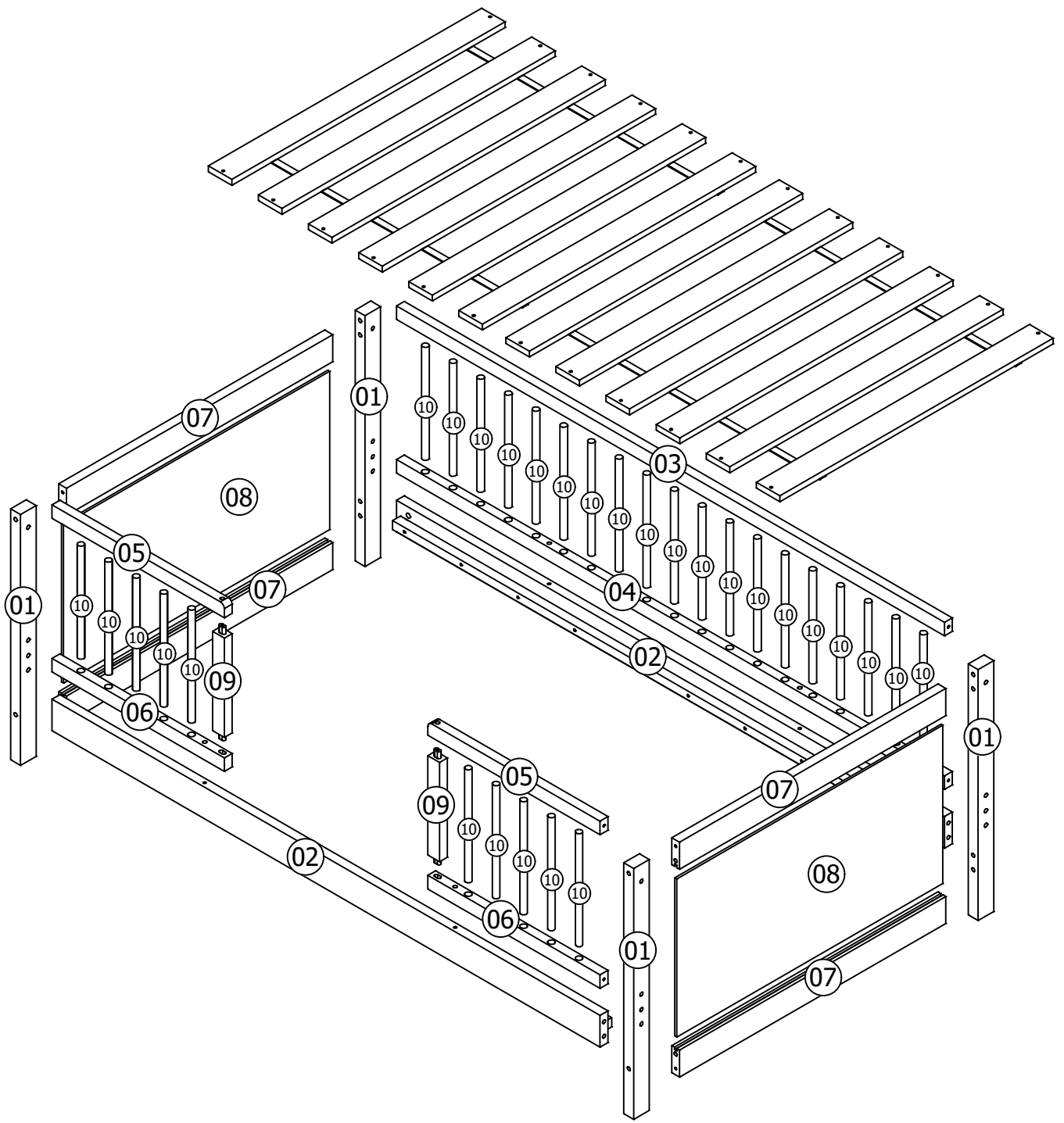
DANGER

- CHILDREN MUST BE SUPERVISED.

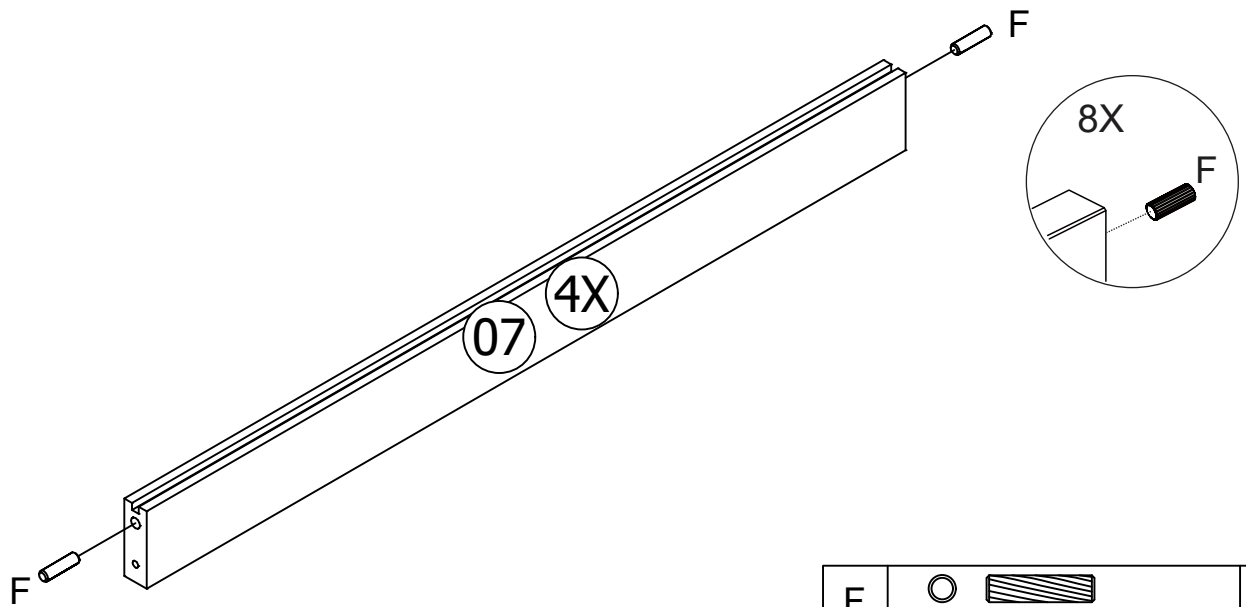




HARDWARE

A	 15mm M6x60mm	08	E	 10mm Ø7x60mm	04
B	 Ø10.5x16mm	08	F	 8mm Ø8x30mm	08
C	 15mm Ø6x90mm	08	G	 8mm Ø4x30mm	24
D	 15mm Ø6x70mm	12	H	 4mm	01

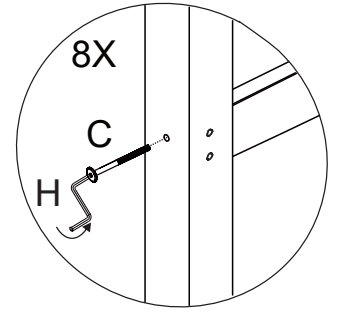
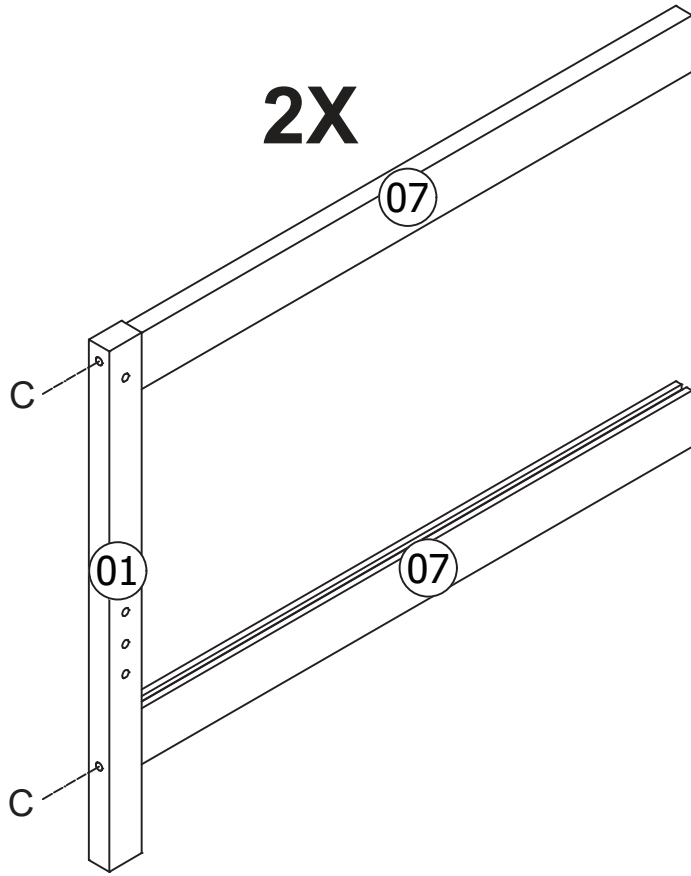



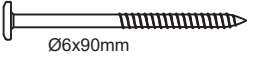

01



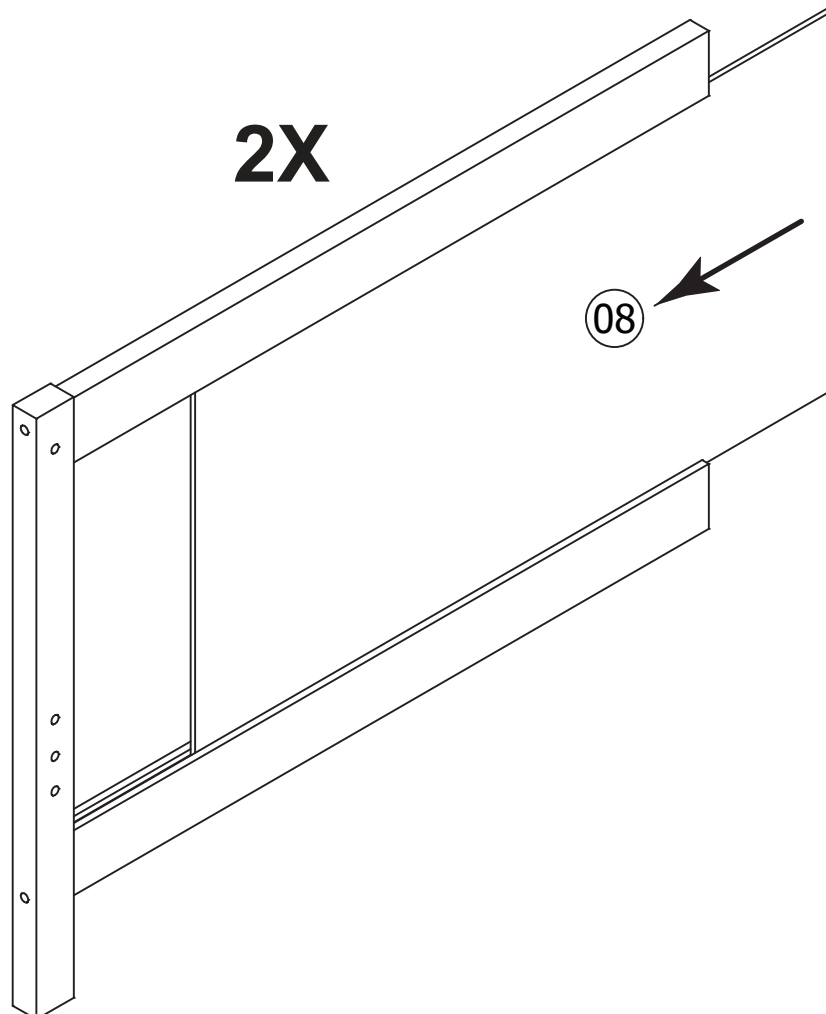
F	 8mm	 Ø8x30mm	08
---	---	---	----

02



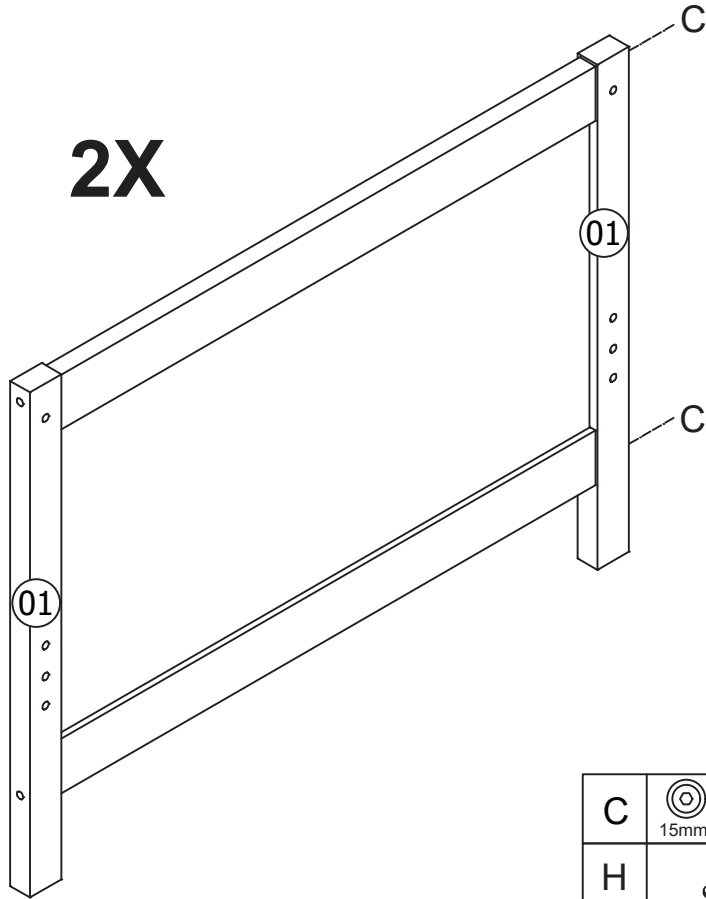
C	 15mm	 Ø6x90mm	04
H	 4mm		01


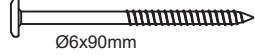

03



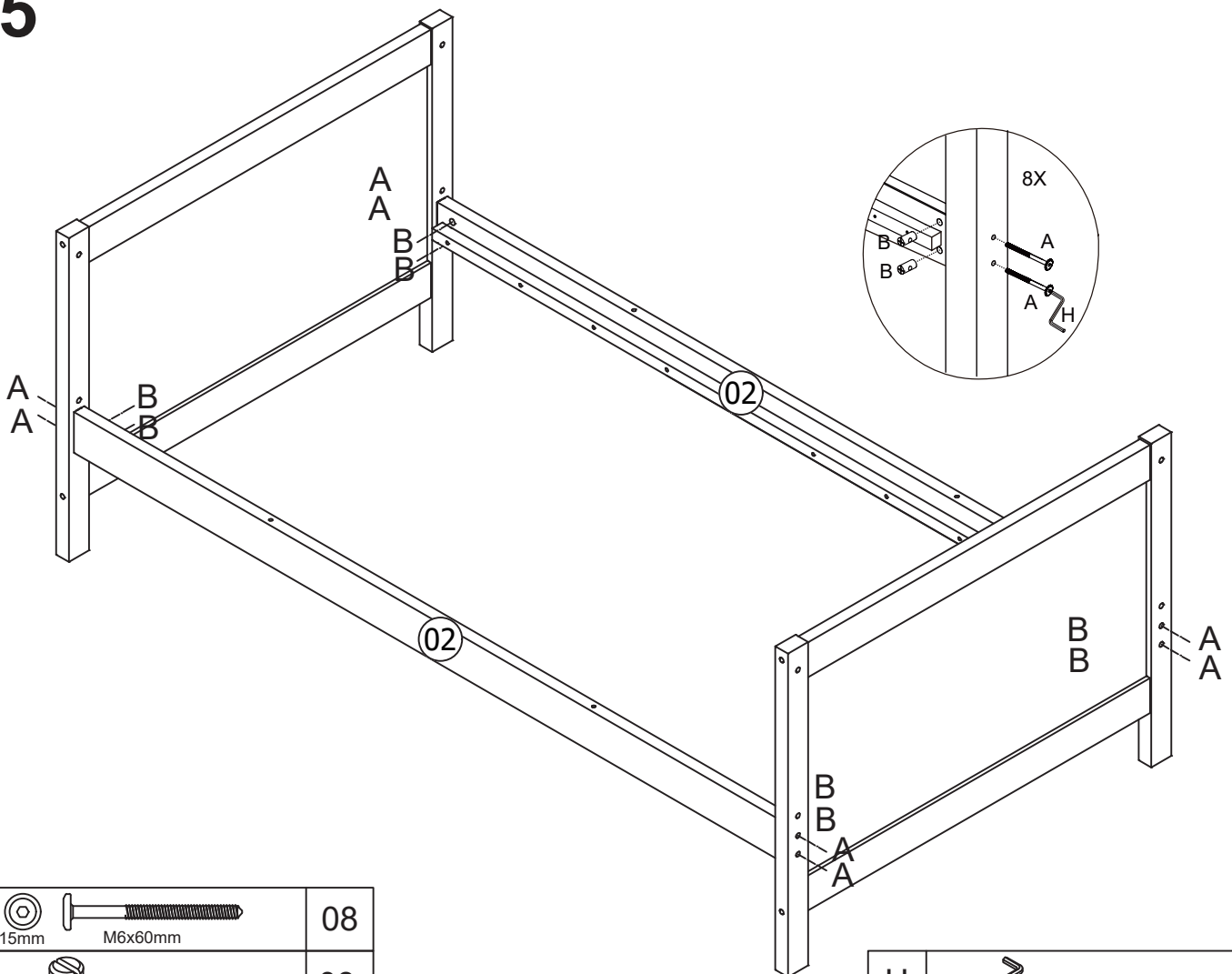
04




2X



C	 15mm	 Ø6x90mm	04
H		 4mm	01

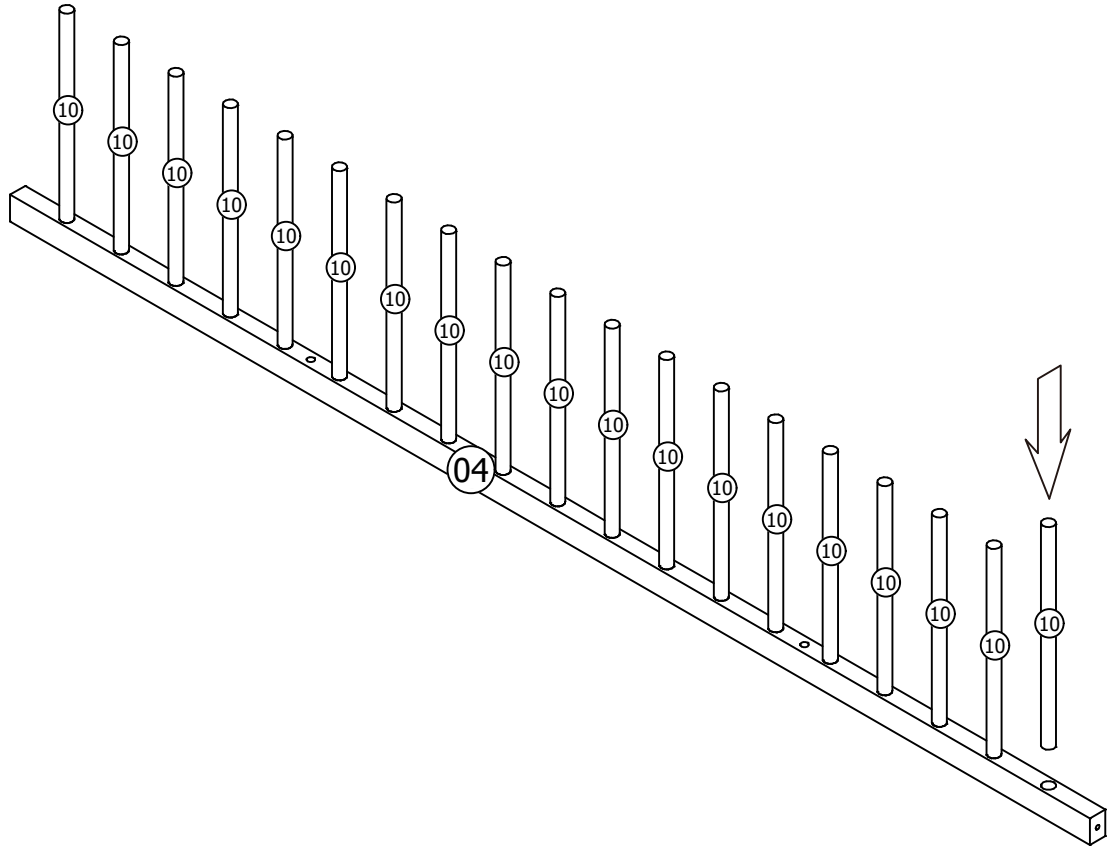
05



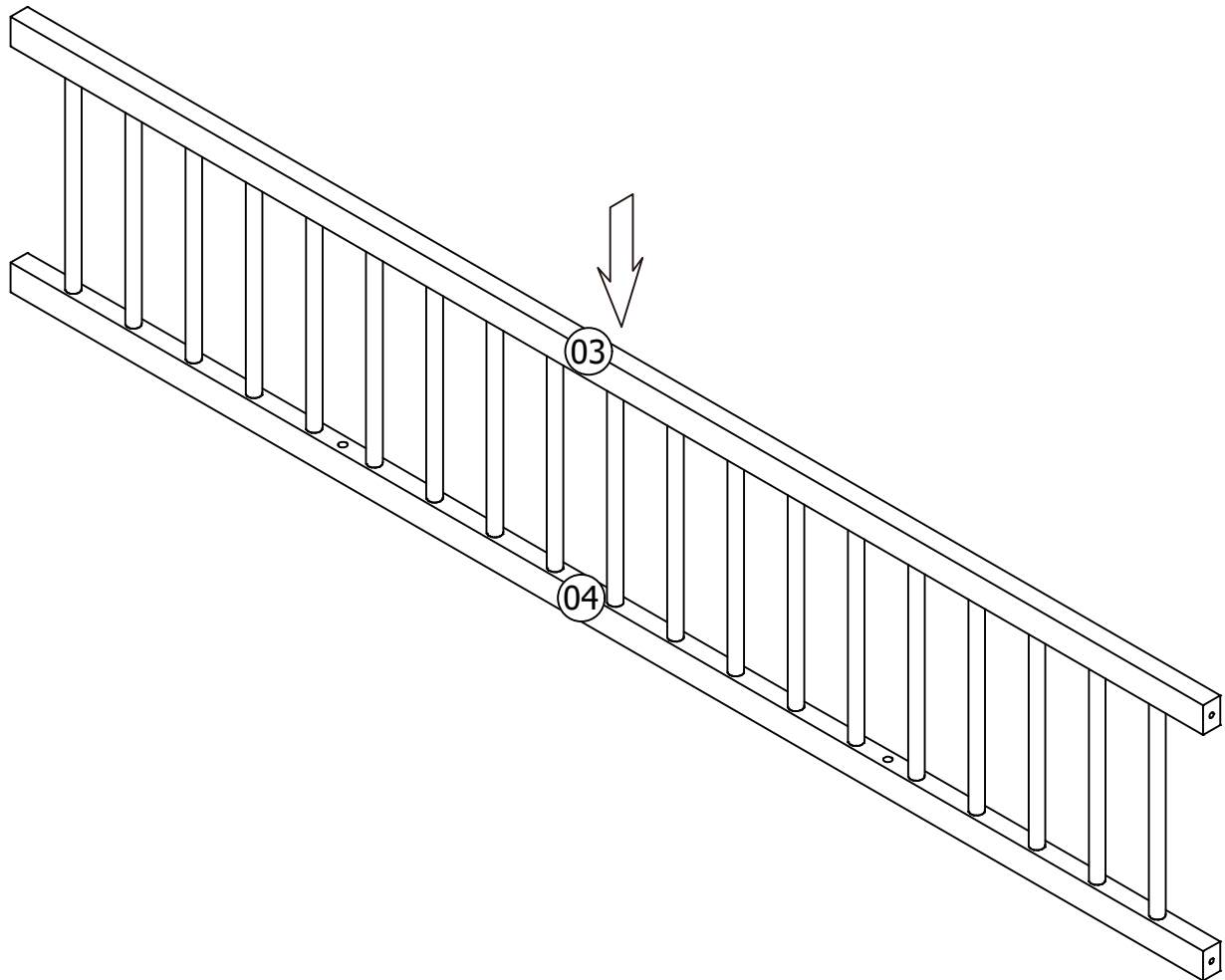
A	 15mm	 M6x60mm	08
B		Ø10.5x16mm	08

H		 4mm	01
---	--	---	----

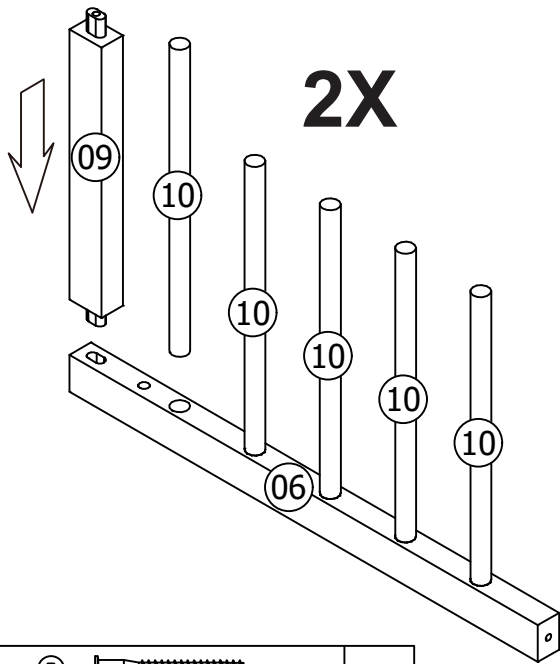
06



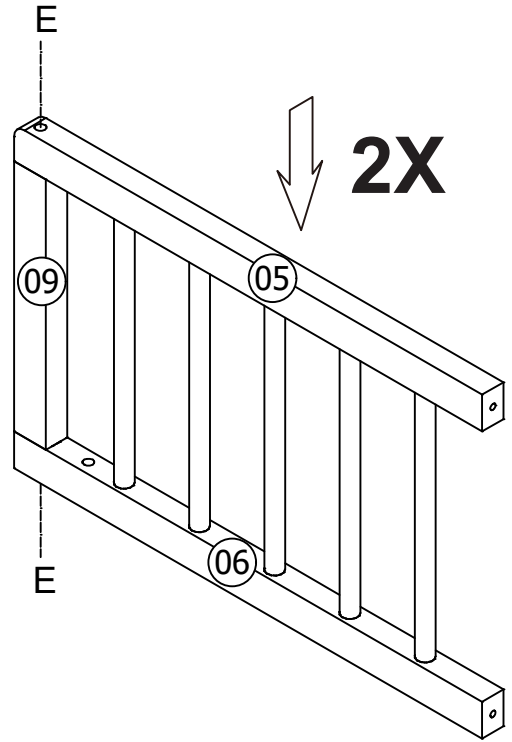
07




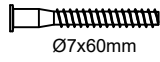

08



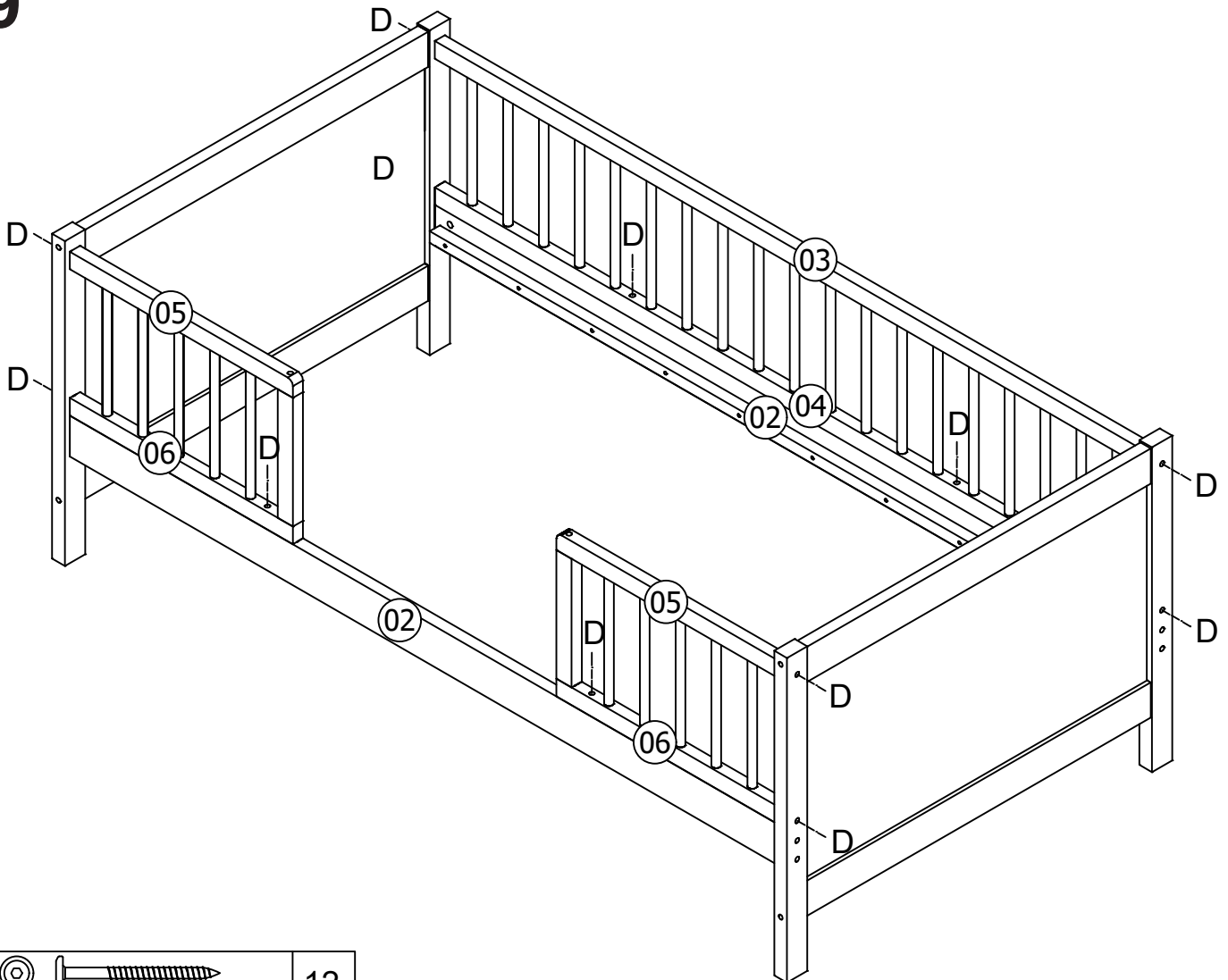
2X


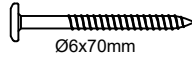



2X

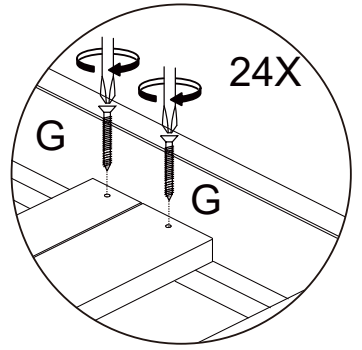
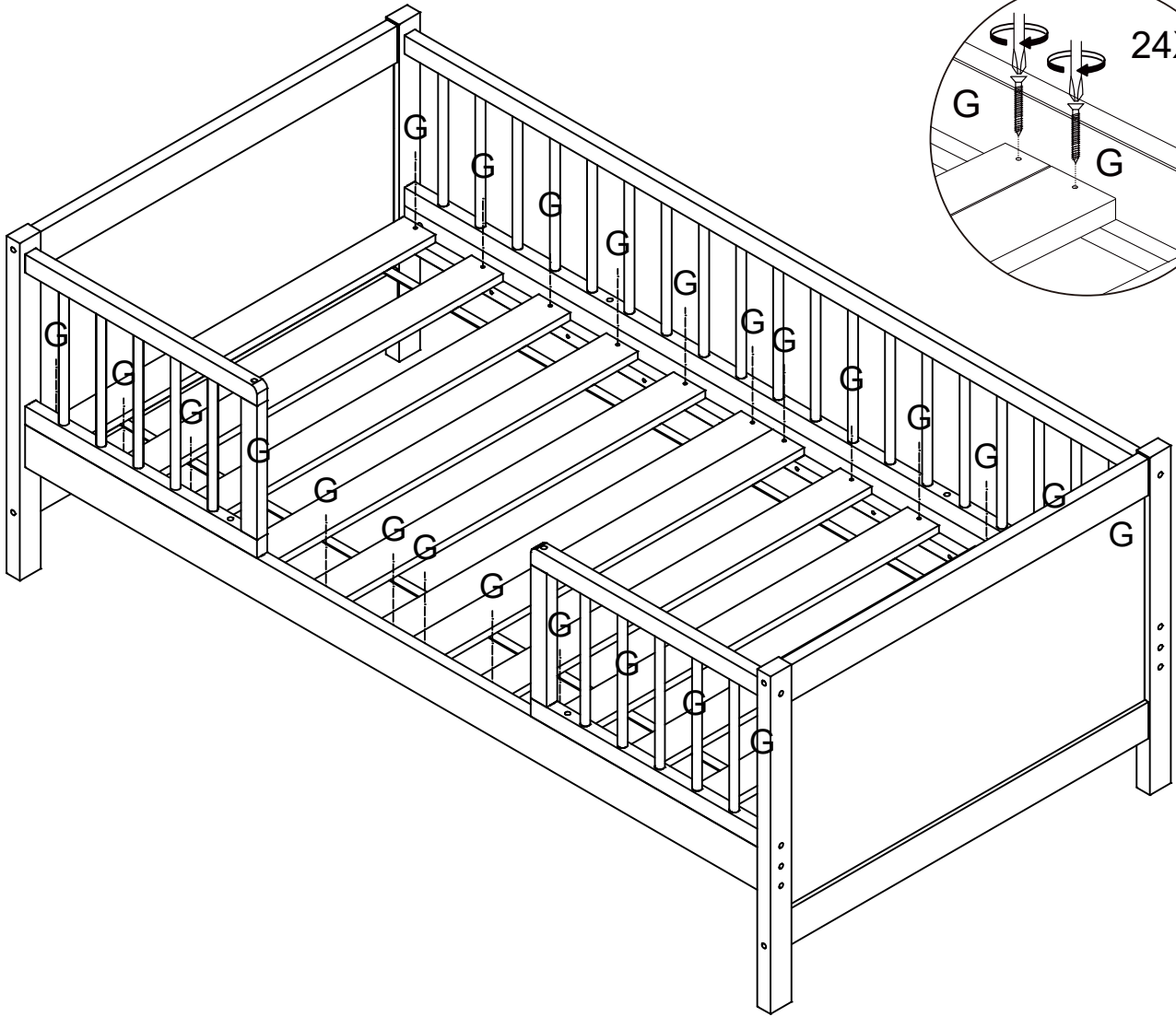
E	 10mm	 Ø7x60mm	04
H		4mm	01

09



D	 15mm	 Ø6x70mm	12
H		4mm	01

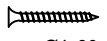
10



G

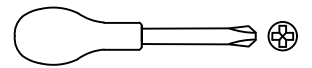


8mm



Ø4x30mm

24



IMPORTANT - READ CAREFULLY - RETAIN FOR FUTURE REFERENCE

Safety Information

All assembly fixings should be tightened properly and care should be taken that no fittings are loose. Regular tightening of the bolts is recommended to extend the lifespan of the product. Please follow all the instructions when assembling the product and do not use power tools when building.

Warning: The product should not be used if any structural part is broken or missing. If any part is missing or broken report it and we will replace, do not attempt to fix the item or purchase additional parts not included with the bed; this will invalidate the warranty.

Return Information

If you have any problems with the item just email us at info@noaandnani.co.uk and we can resolve it for you, our technical team will be able to assist in helping. If you have any parts that are damaged we can replace them for you. If you do need to return the item for some reason just email and request an RMA number .

Assembly Information

We understand that self assembly furniture can be a pain but we try and make it as easy as possible for anyone to build, if you have found a problem with the assembly of the product or with the assembly instructions or you have comments on how we could improve them, we would love to hear from you. Just contact us either by email at productadvice@noaandnani.co.uk or via Live Chat on our website noaandnani.co.uk

Related Items

We have a matching range of items that compliment this product, just head to noaandnani.co.uk for the full selection.

Any Questions or Issues Scan here for help



NÖA & NANI

FAMILY FURNITURE

