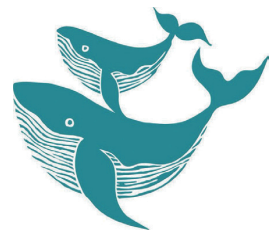
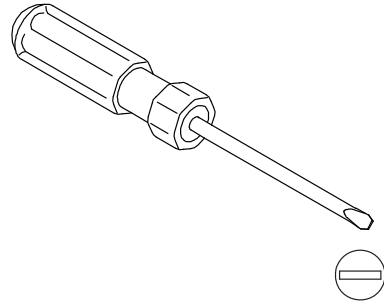
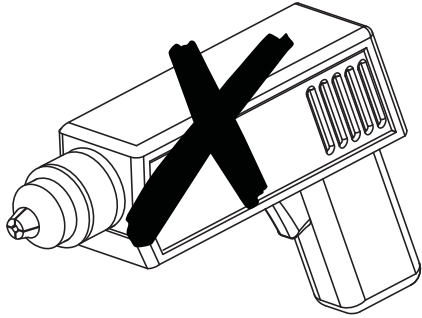


**NÖA & NANI**

FAMILY FURNITURE



**AGNES GAS LIFT SINGLE  
ASSEMBLY INSTRUCTIONS**

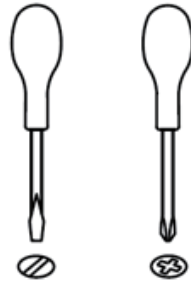


**WARNING**



**DO NOT USE  
POWERTOOLS TO  
ASSEMBLE THIS  
PRODUCT**

### Tools Required



**CAUTION:** Do not use tools other than those required, as this can damage your new item.

### NOTE

- Please check you have all hardware before assembling.
- If you are missing any hardware, please contact the store of purchase.
- Please ensure you have the name of the item, required hardware part and quantity.
- Please retain your receipt as proof of purchase to validate your warranty.

### CAUTION

- Do not tighten screws before all screws are in the right place.
- Do not use this product unless all bolts, screws and knobs are firmly secured.
- Check that all bolts, screws and knobs are securely tightened at least every 4 months.

### WARNING

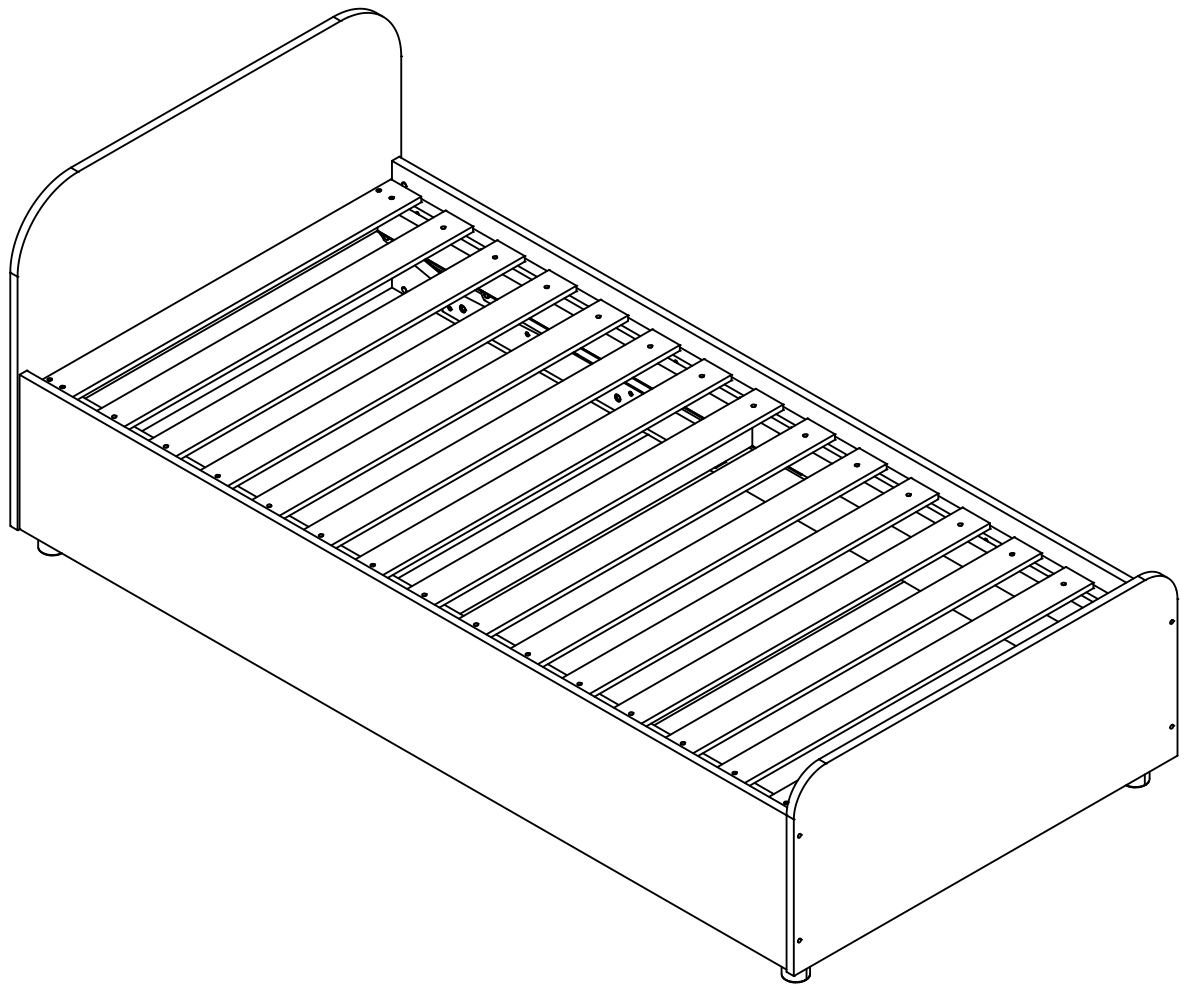
- If parts are missing, broken, damaged or worn stop using the product until all repairs are made using manufacturer authorised parts.
- Failure to follow these warnings could result in serious injury.

### DANGER



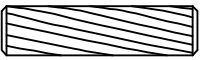

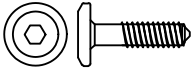

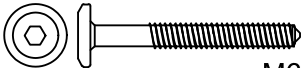
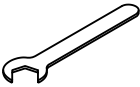
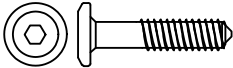


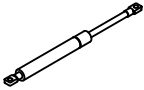
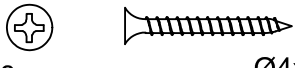
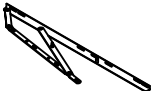




- CHILDREN MUST BE SUPERVISED.

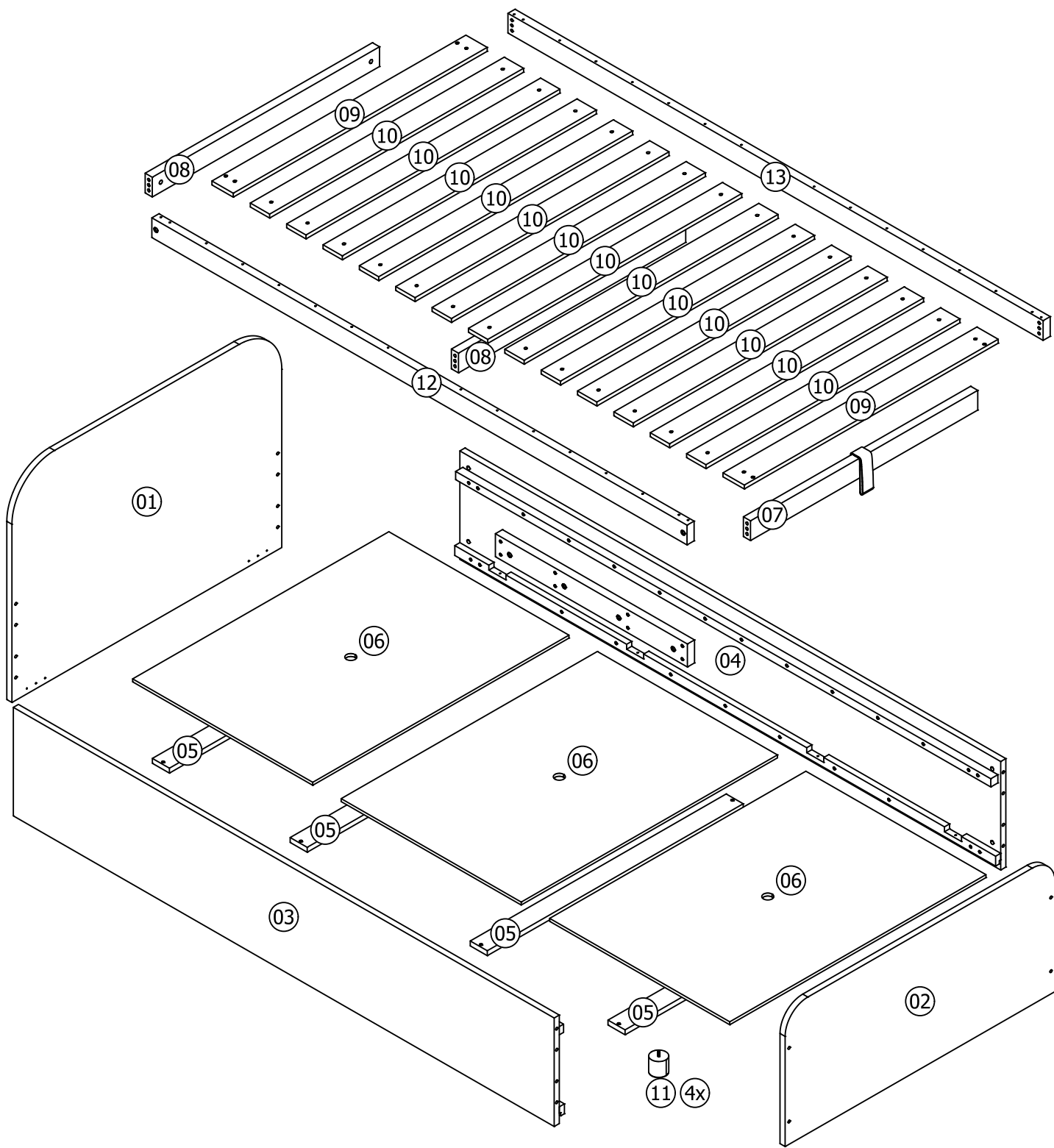
# Packing List

Carton Number	Part Number	Quantity
Carton A	03	1pc
	04	1pc
	05	4pcs
	12	1pc
	13	1pc
	07	1pc
	08	2pcs
	11	4pcs
	Hardware	2pcs
	Assembly Instructions	1pc
Carton B	01	1pc
	02	1pc
	06	3pcs
	09	2pcs
	10	13pcs

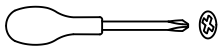
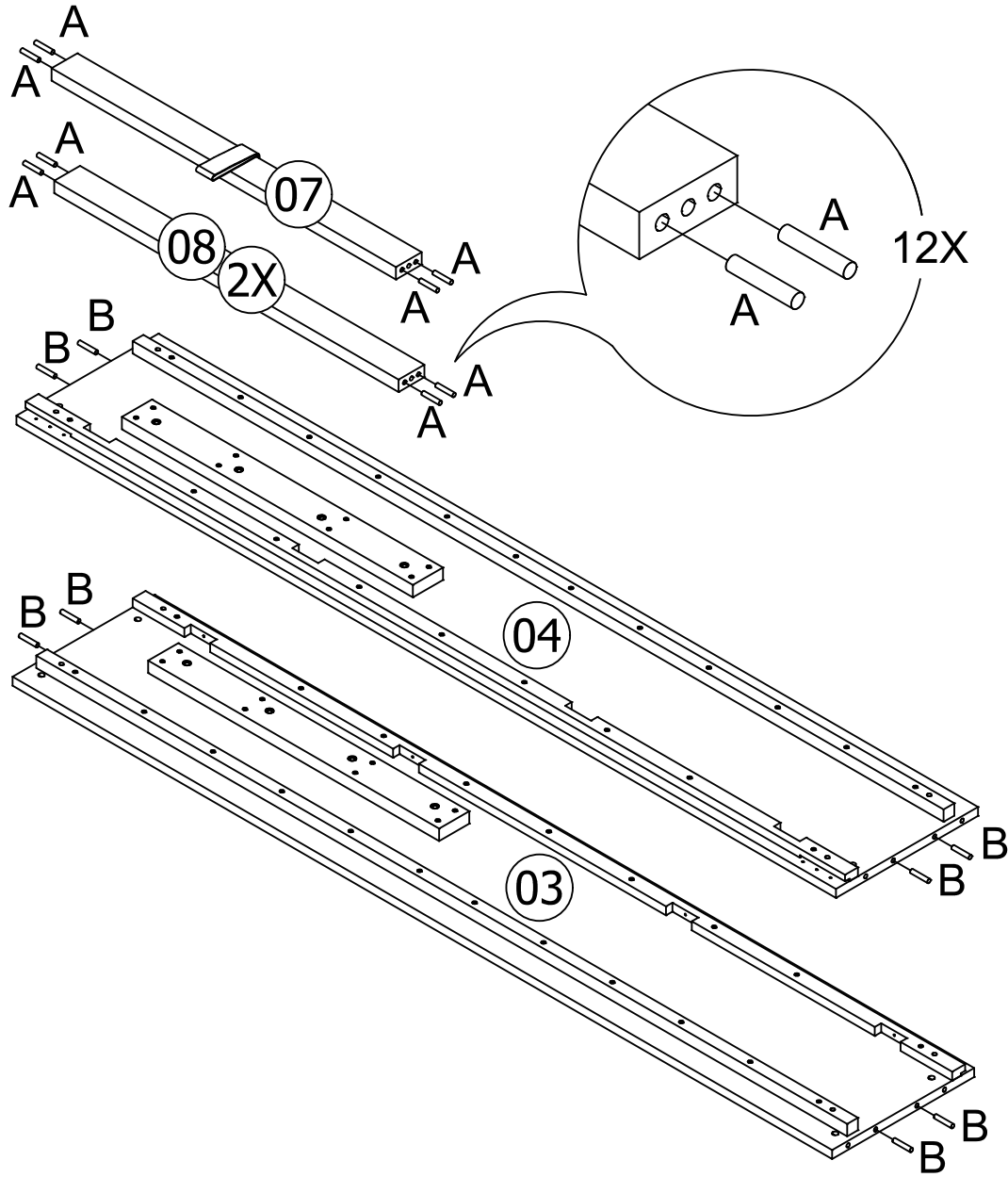




## HARDWARE

A		Ø8x30mm	12	K		5mm	01
B		Ø8x40mm	08	L		4mm	01
C		M6x20mm 13mm	08	M		Ø40x2mm	04
D		M6x60mm 13mm	14	N		13mm	01
E		M8x25mm 13mm	12	P		M8x6mm	04
F		Ø10x11mm	14	Q		Ø20x415mm	02
G		Ø4x30mm 8mm	34	R		1070mm	01
H		Ø3.5x14mm	24	S		1070mm	01
J		140x59x28mm	04	Y		Ø4x25mm 8mm	08

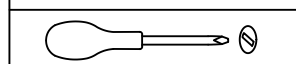
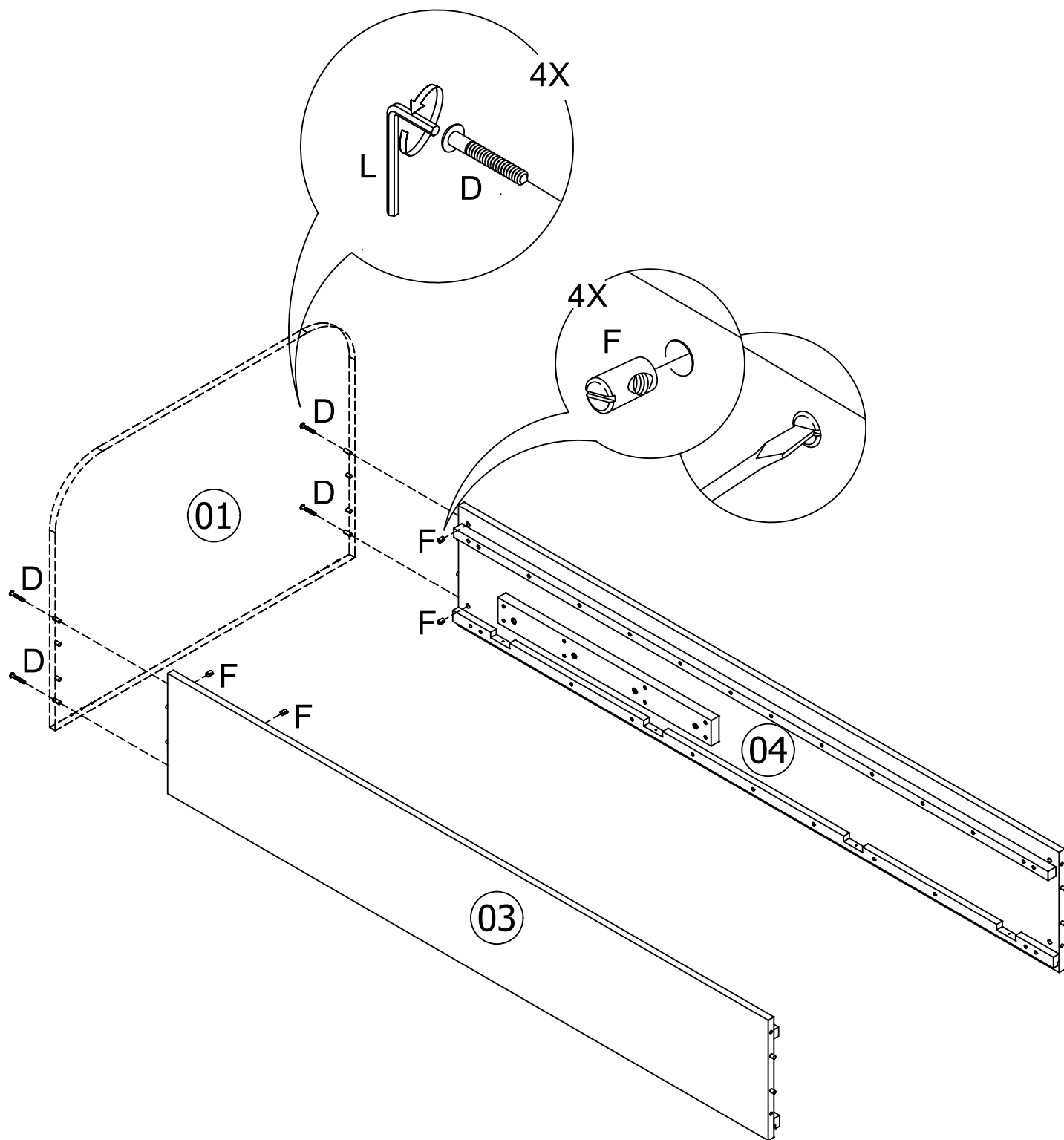


# 01



A		Ø8x30mm	12
B		Ø8x40mm	08

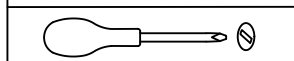
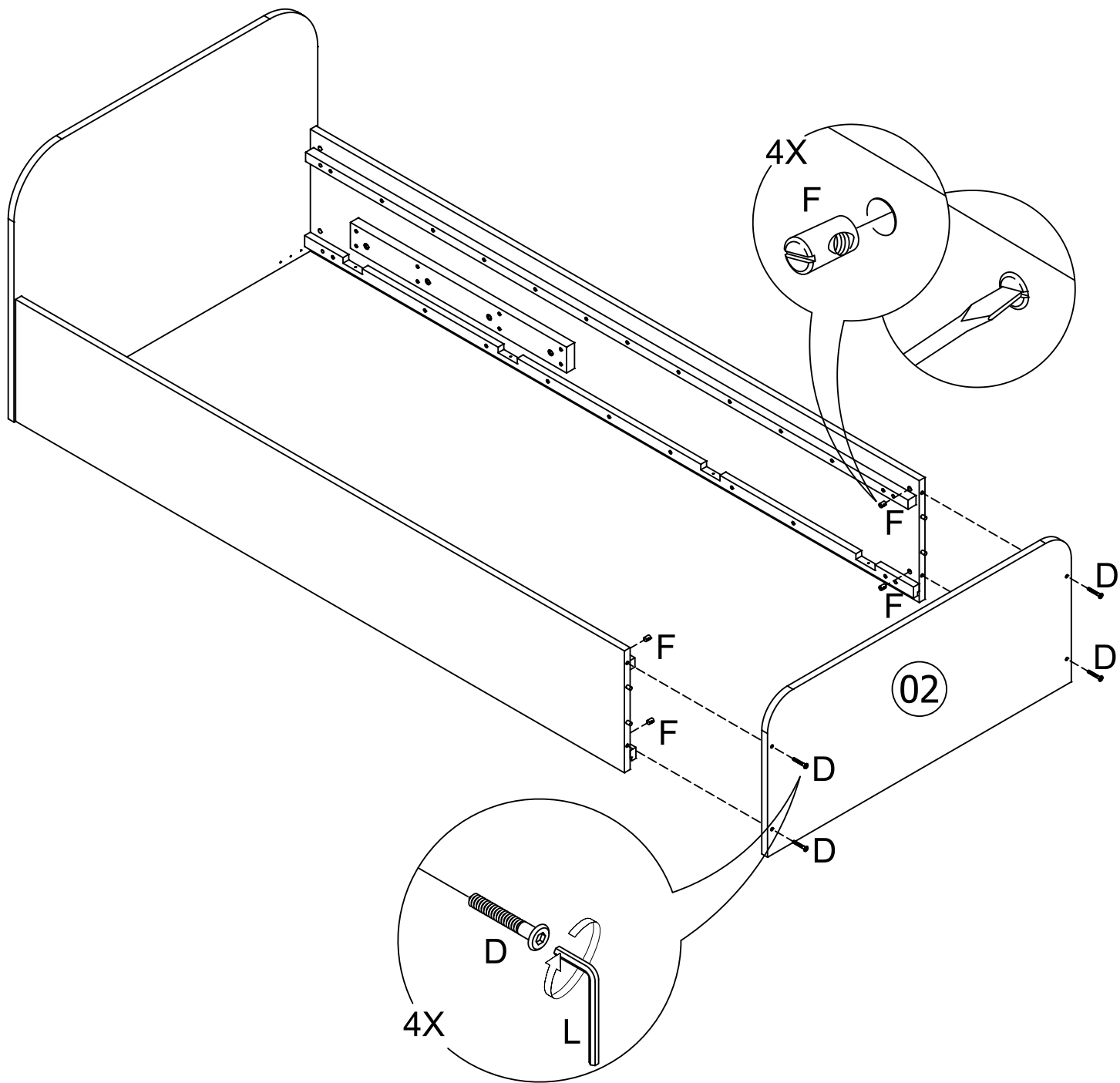
# 02



L		4mm	01
---	--	-----	----

D		M6x60mm	04
F		Ø10x11mm	04

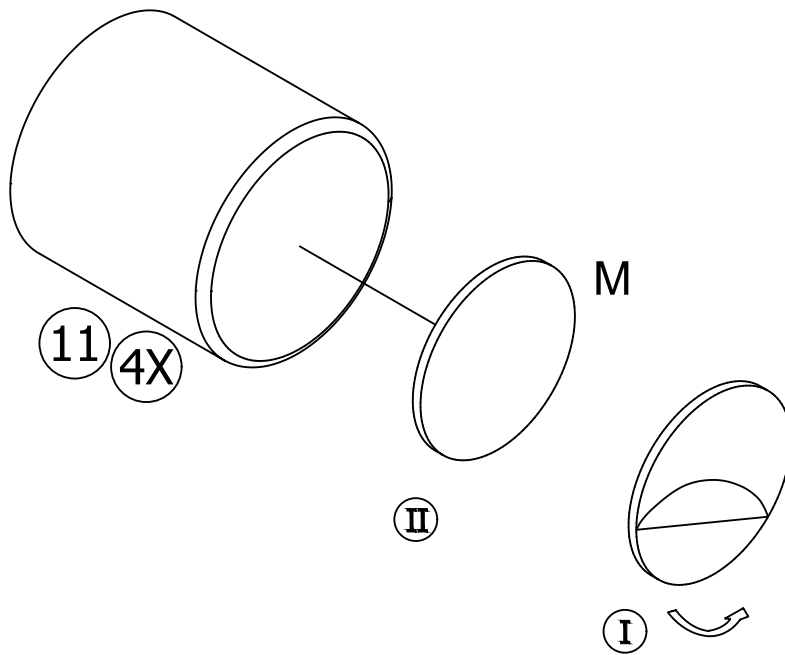
# 03




L		4mm	01
---	--	-----	----

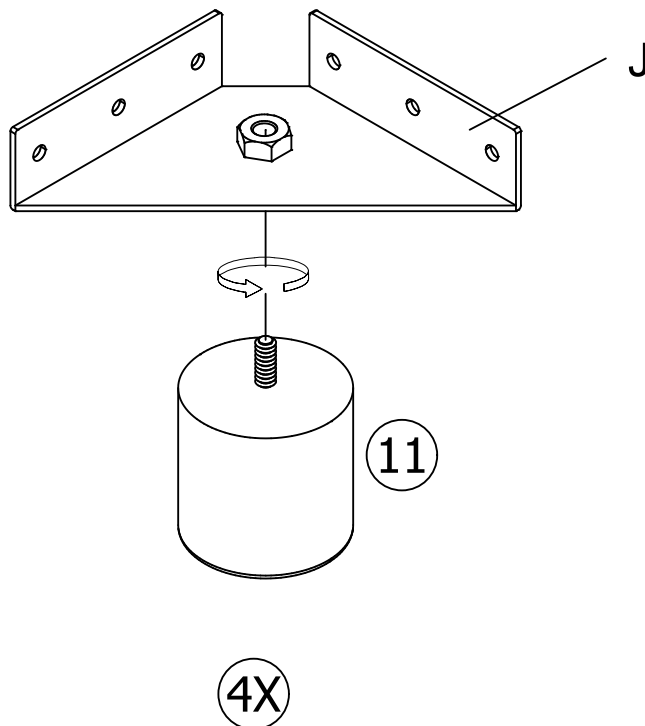
D		M6x60mm	04
F		Ø10x11mm	04


# 04



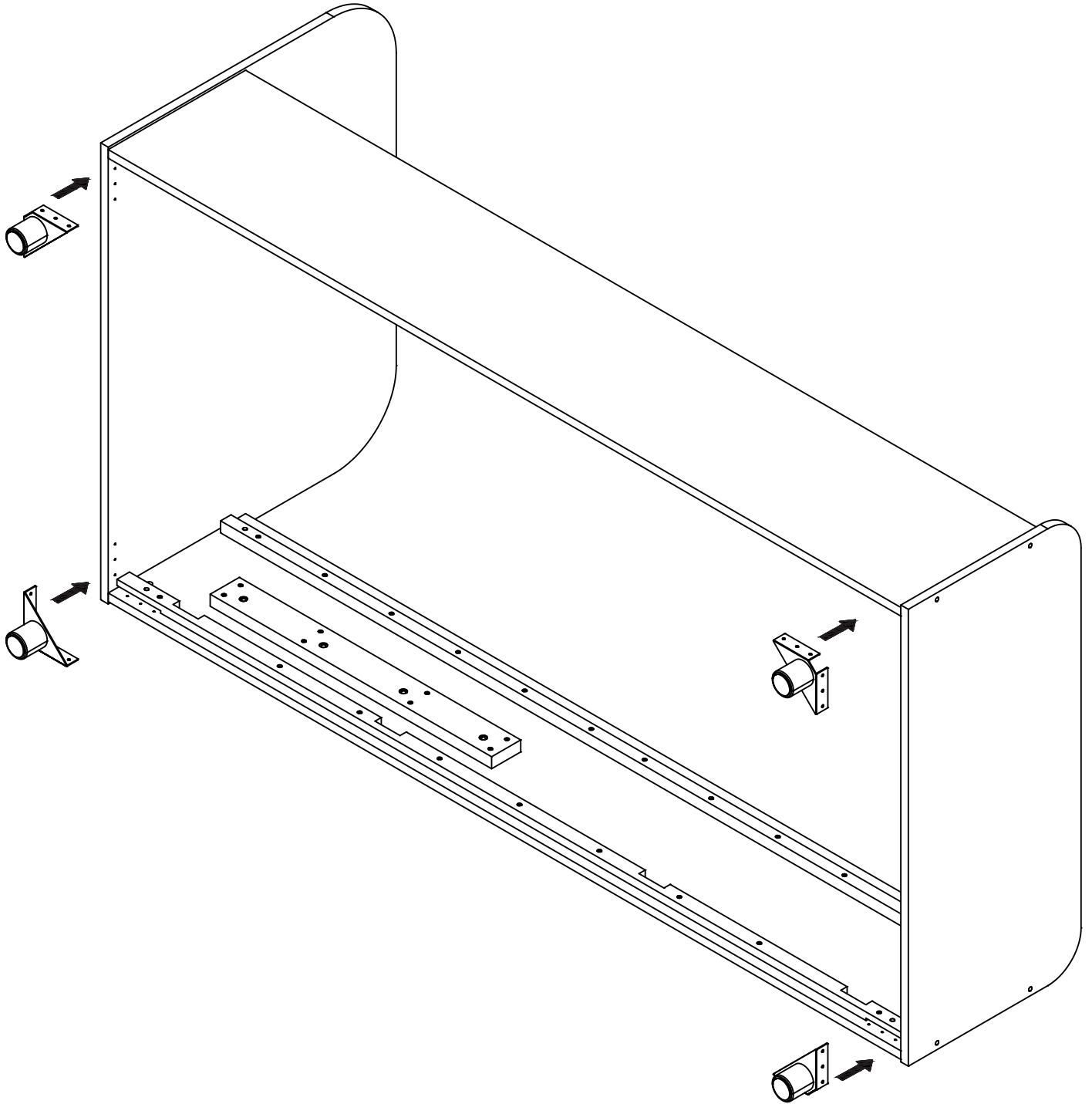
M		Ø40x2mm	04
---	---	---------	----

# 05

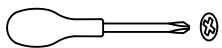
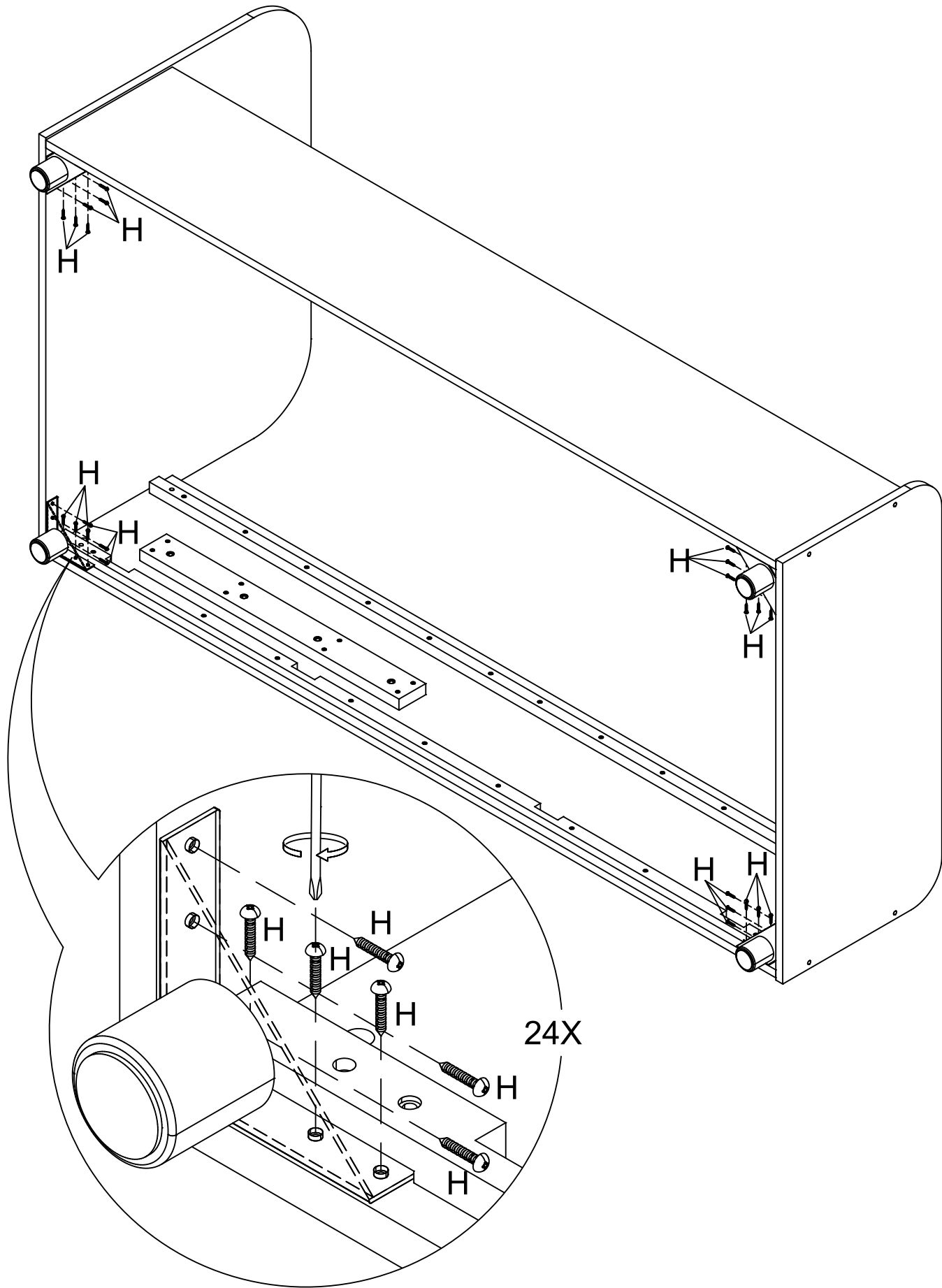


J		140x59x28mm	04
---	---	-------------	----

06



07

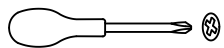
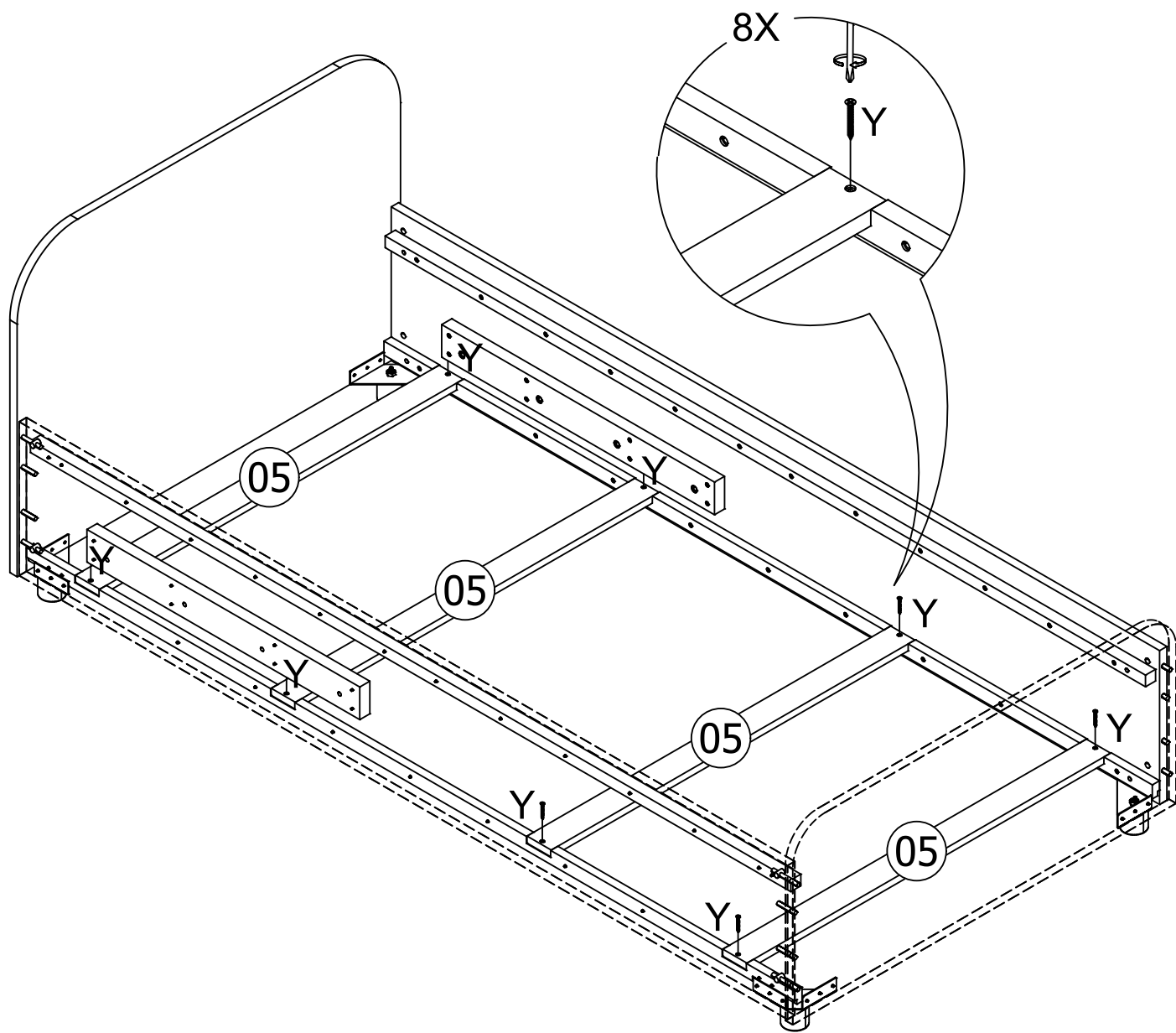


H



Ø3.5x14mm

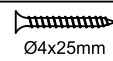
24



Y

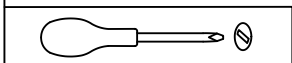
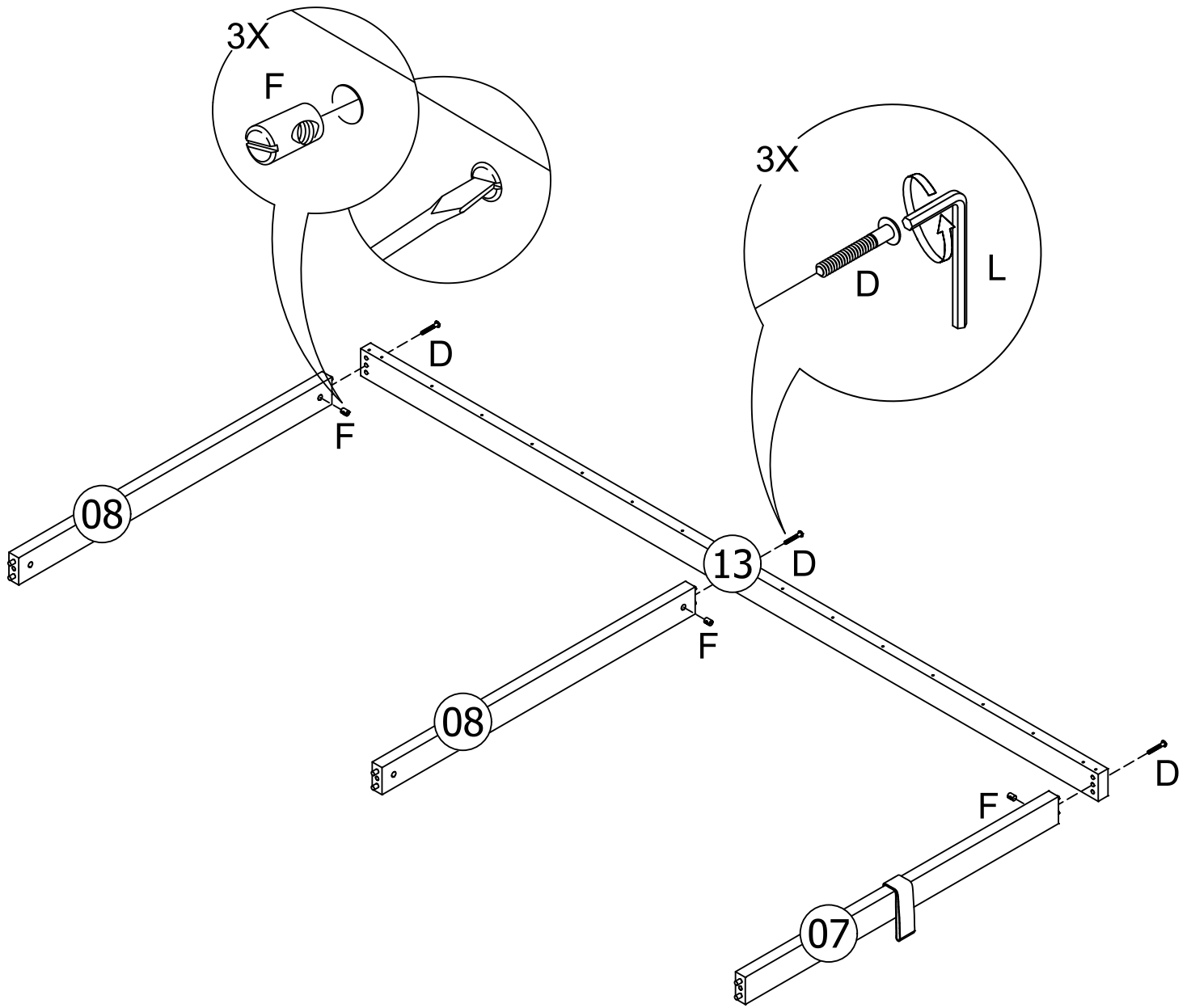


8mm



Ø4x25mm

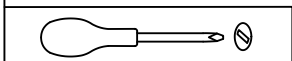
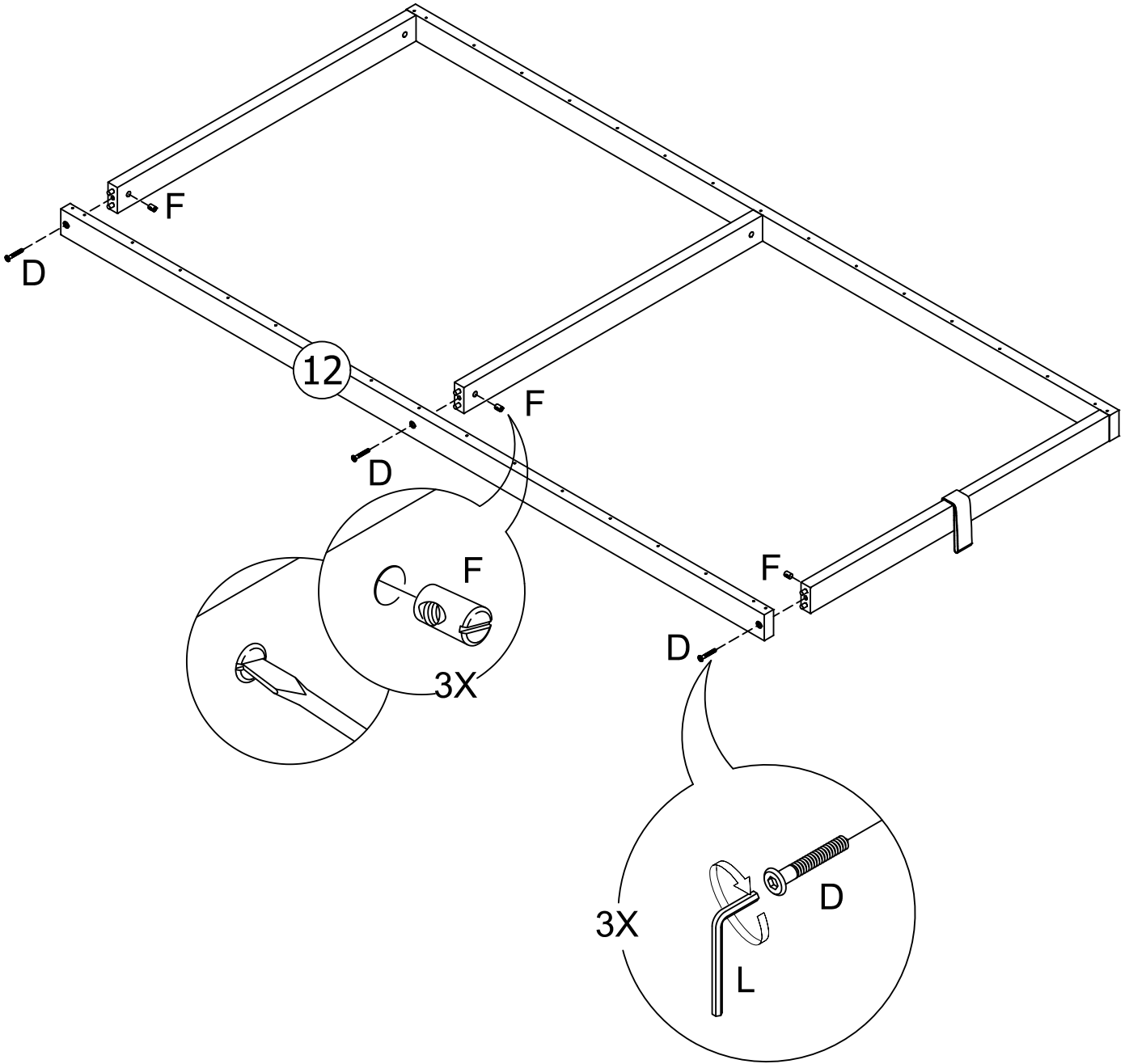
# 09

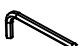


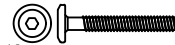

L		4mm	01
---	--	-----	----

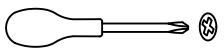
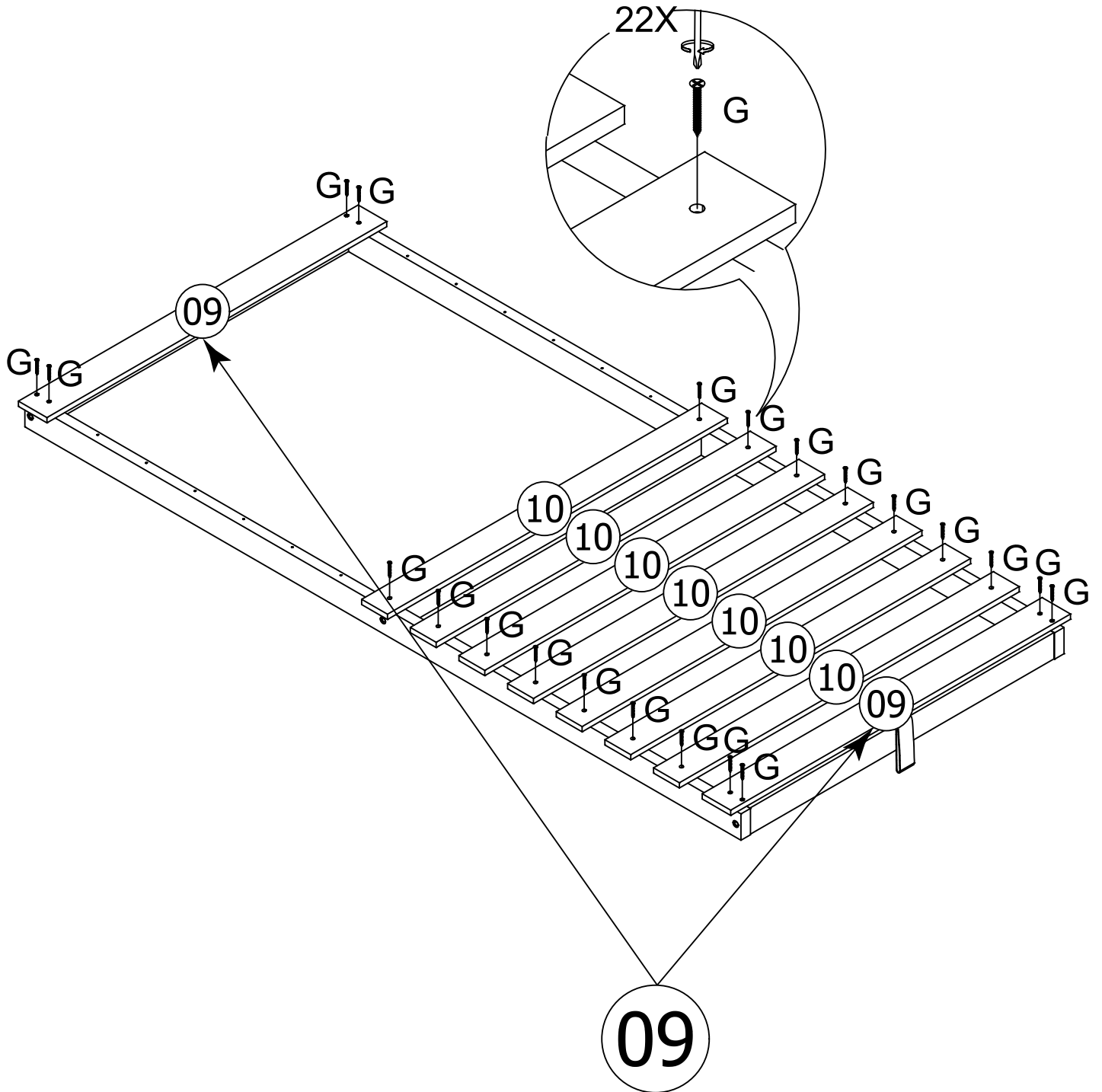
D		M6x60mm	03
F		Ø10x11mm	03

# 10



L		4mm	01
---	---	-----	----

D		M6x60mm	03
F		Ø10x11mm	03



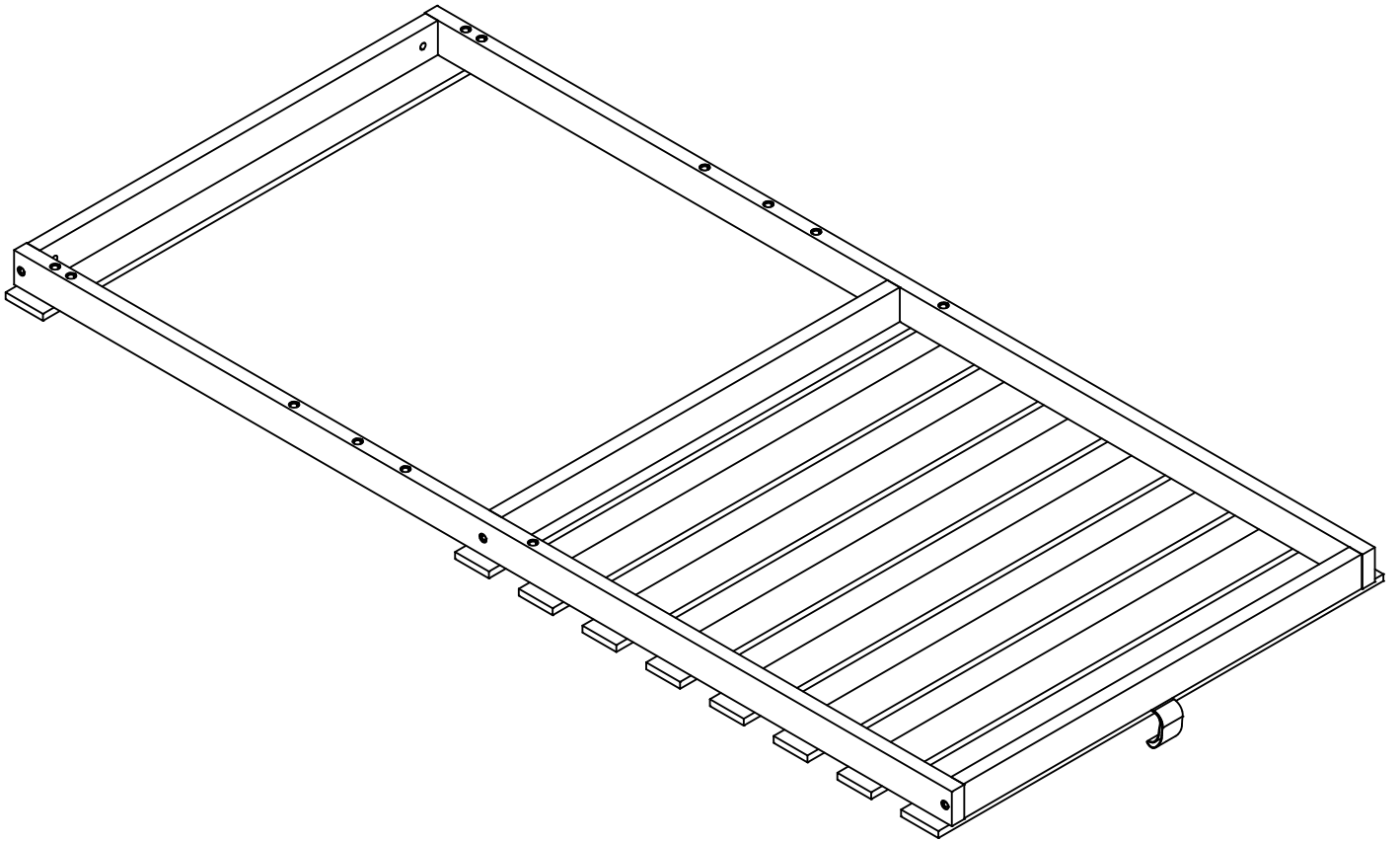
G

8mm

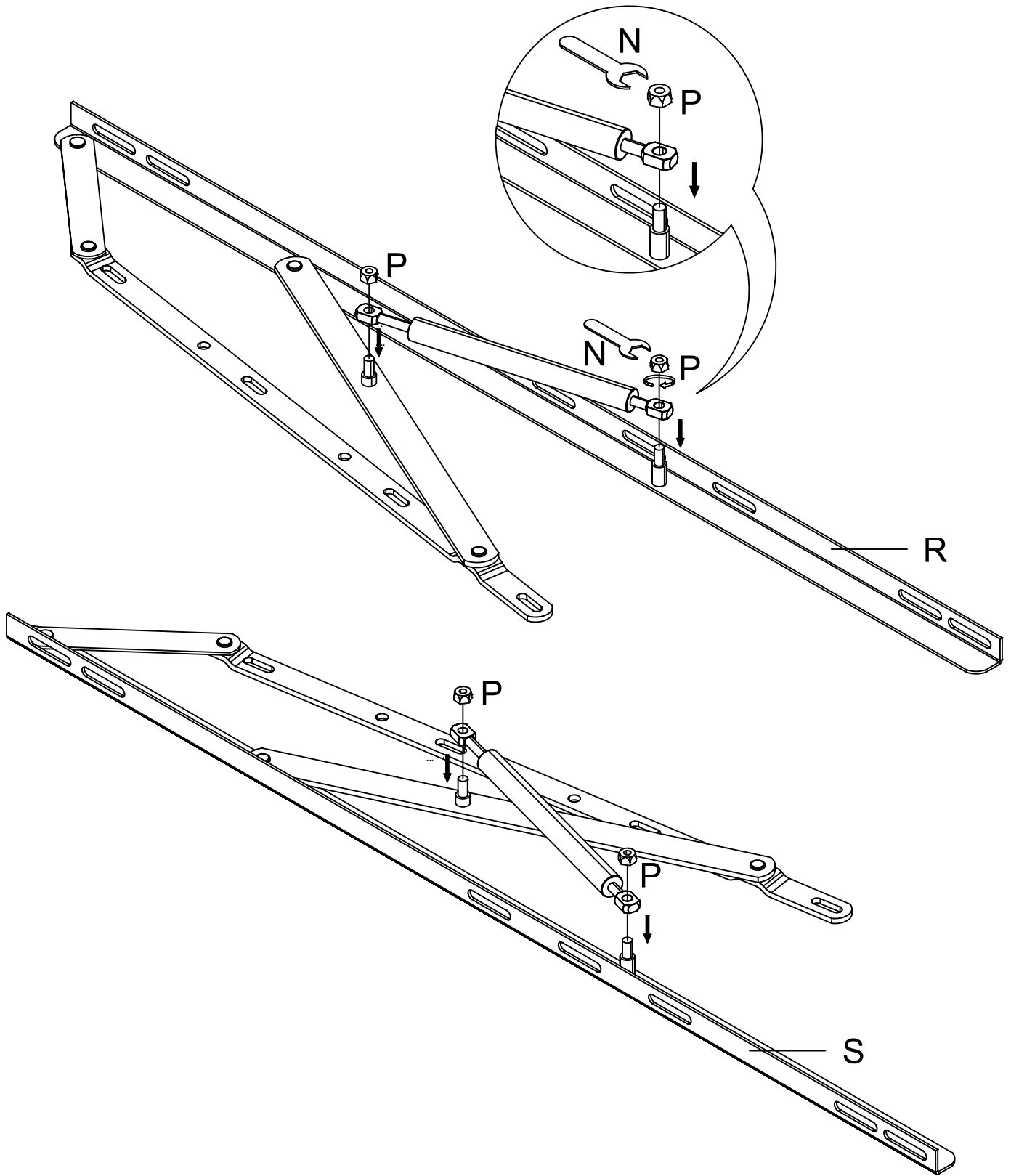
Ø4x30mm





22

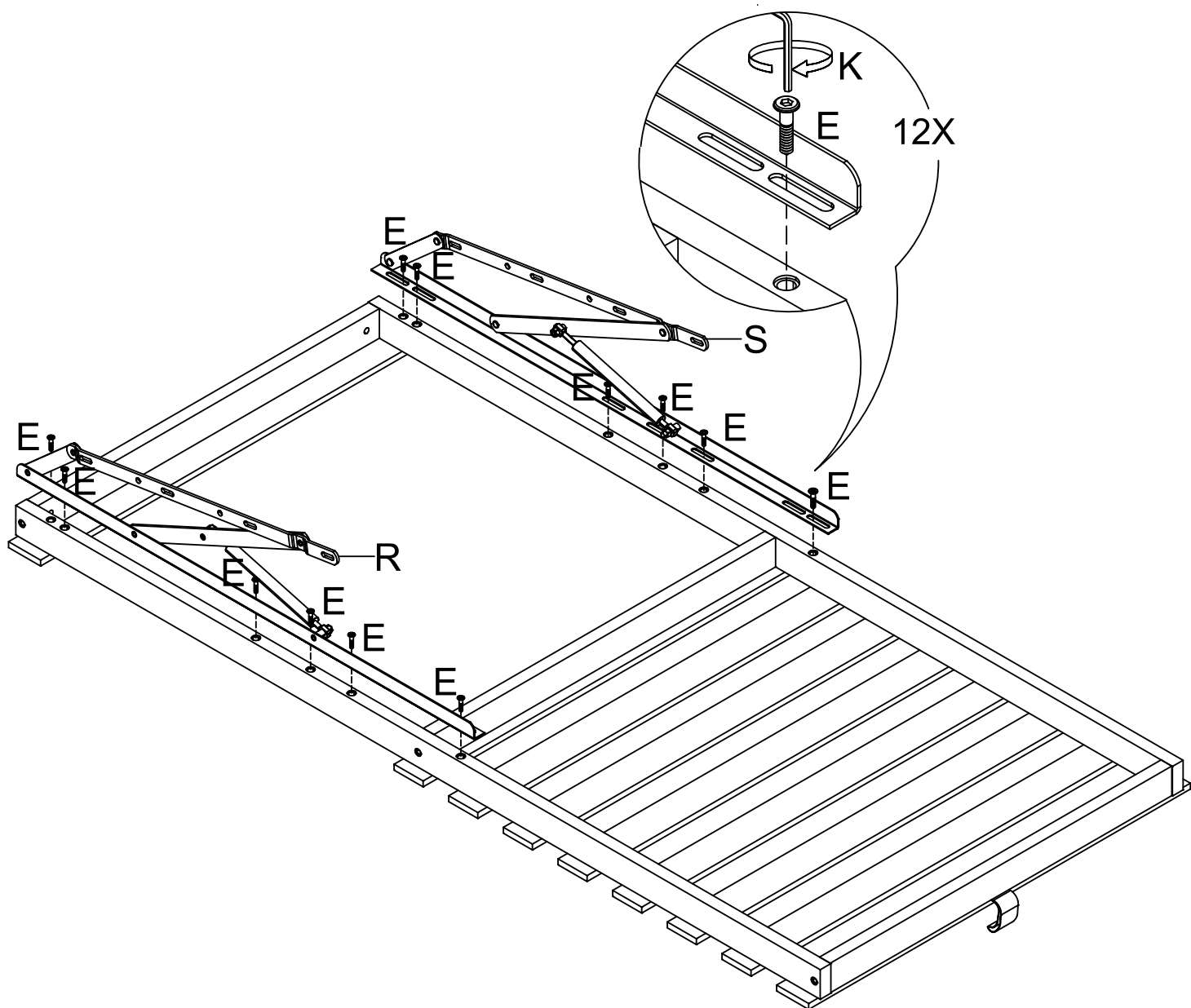
12



# 13



N		13mm	01
P		M8x6mm	04
R		1070mm	01
S		1070mm	01



K



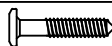
5mm

01

E

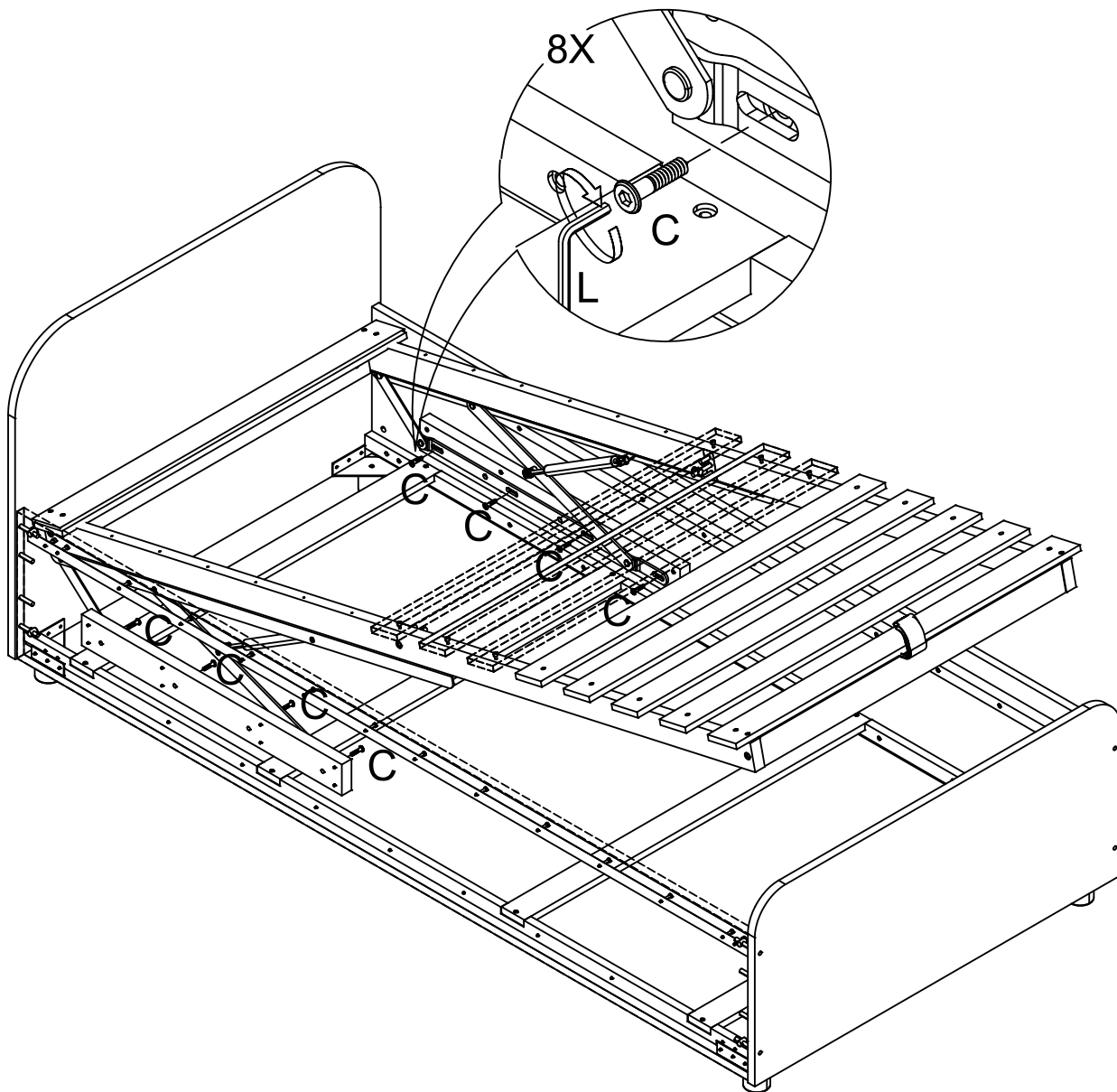


13mm



M8x25mm

12



L



4mm

01

C

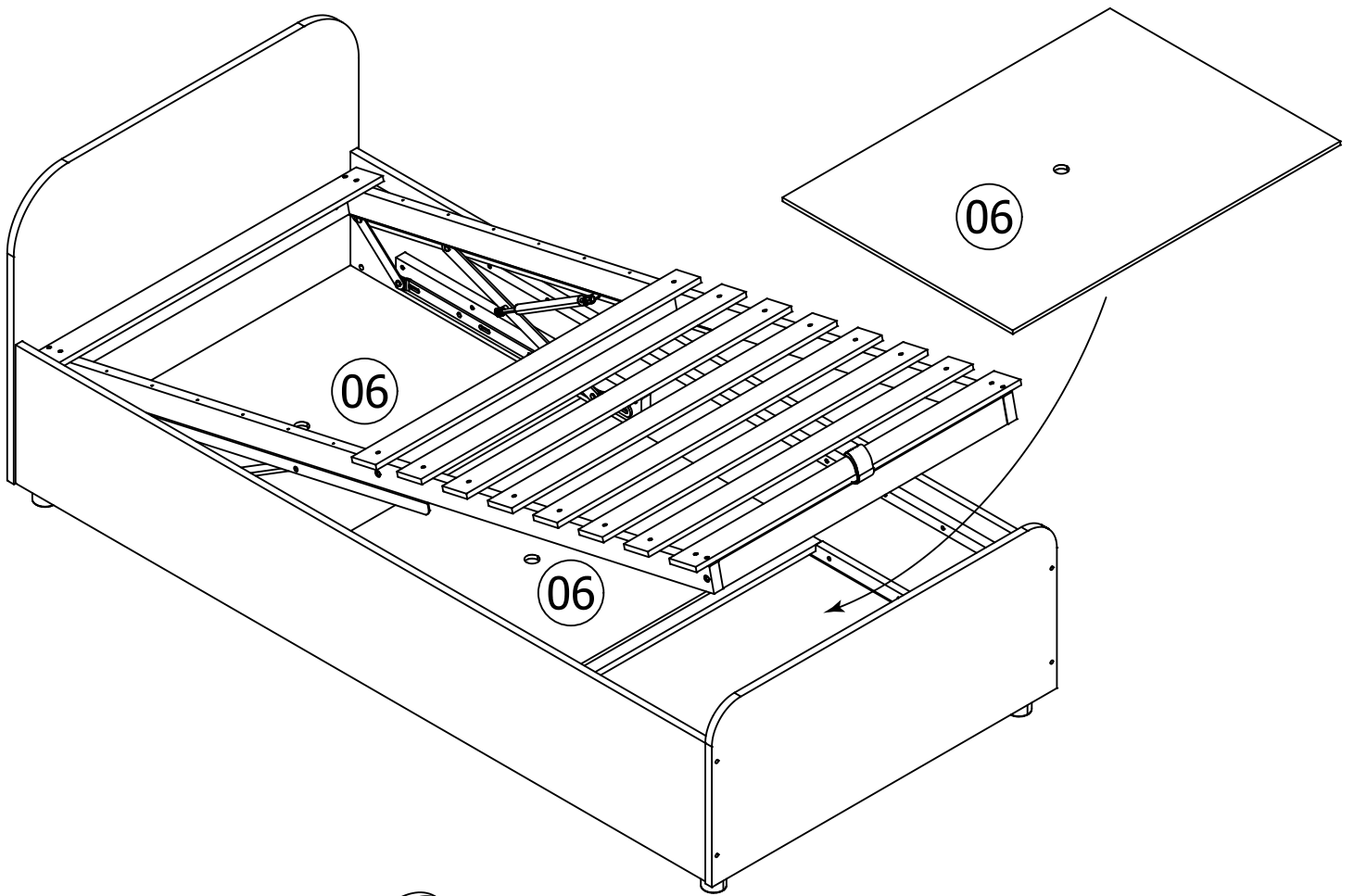


13mm

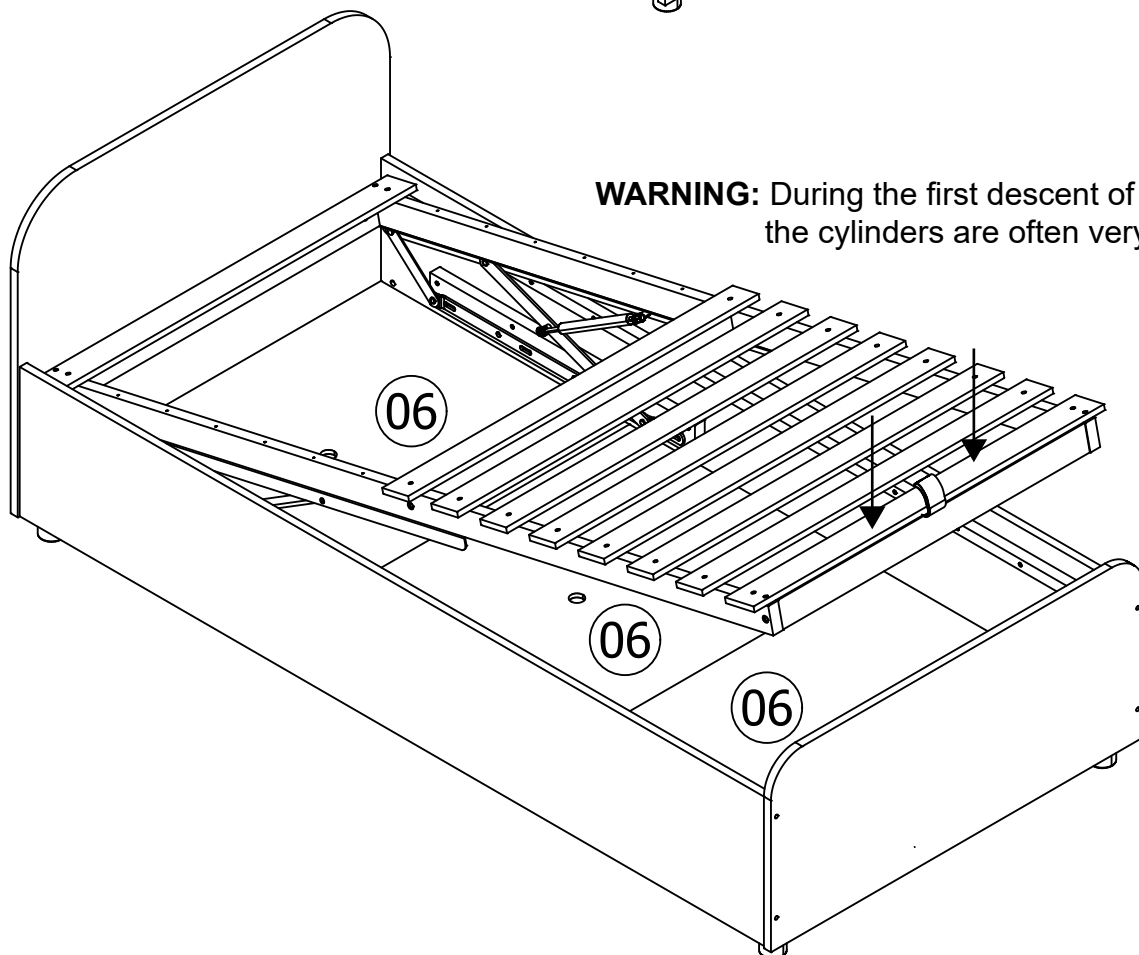
M6x20mm

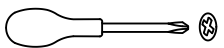
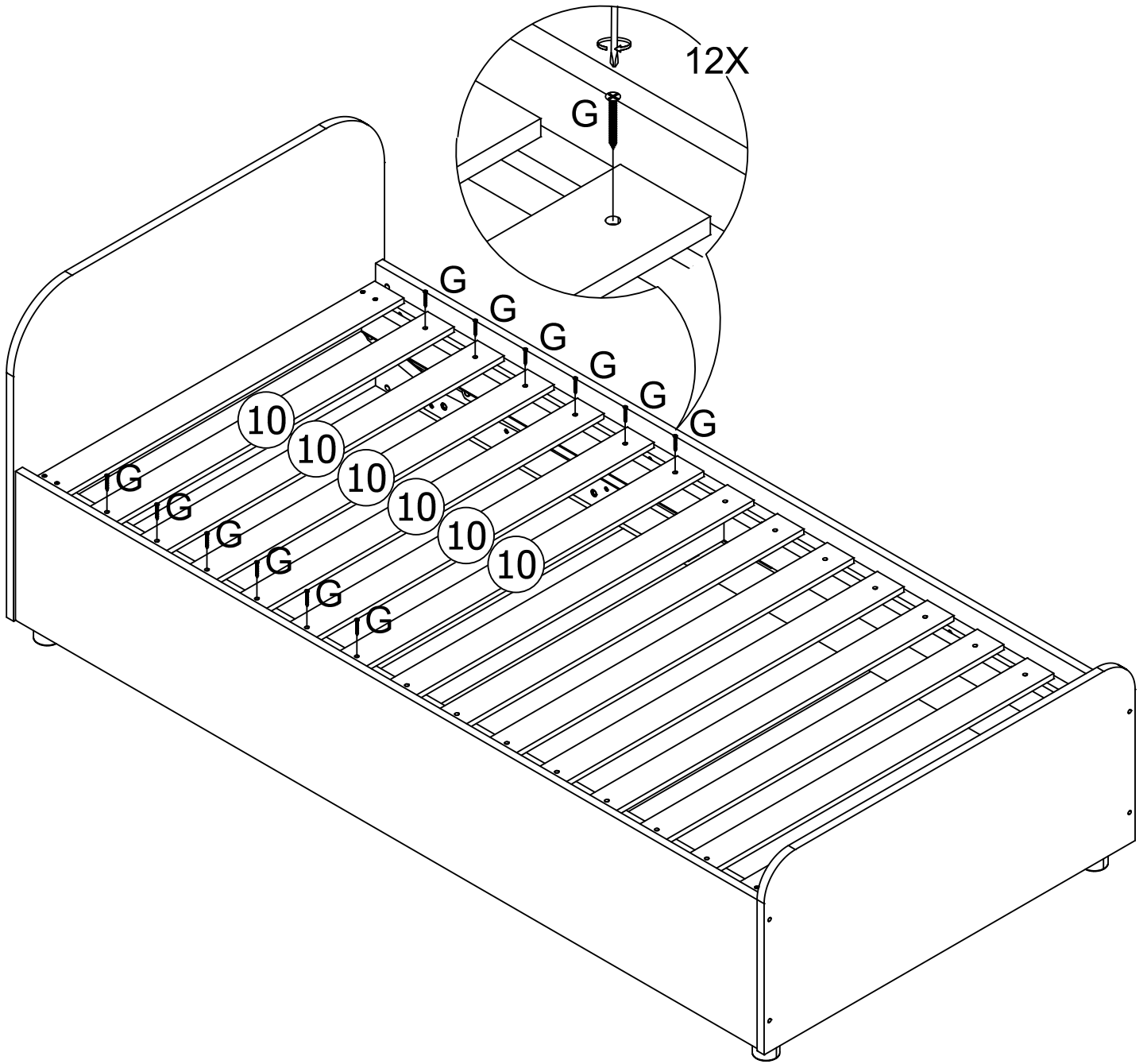
08

# 16



**WARNING:** During the first descent of the bed base, the cylinders are often very hard.

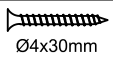




G

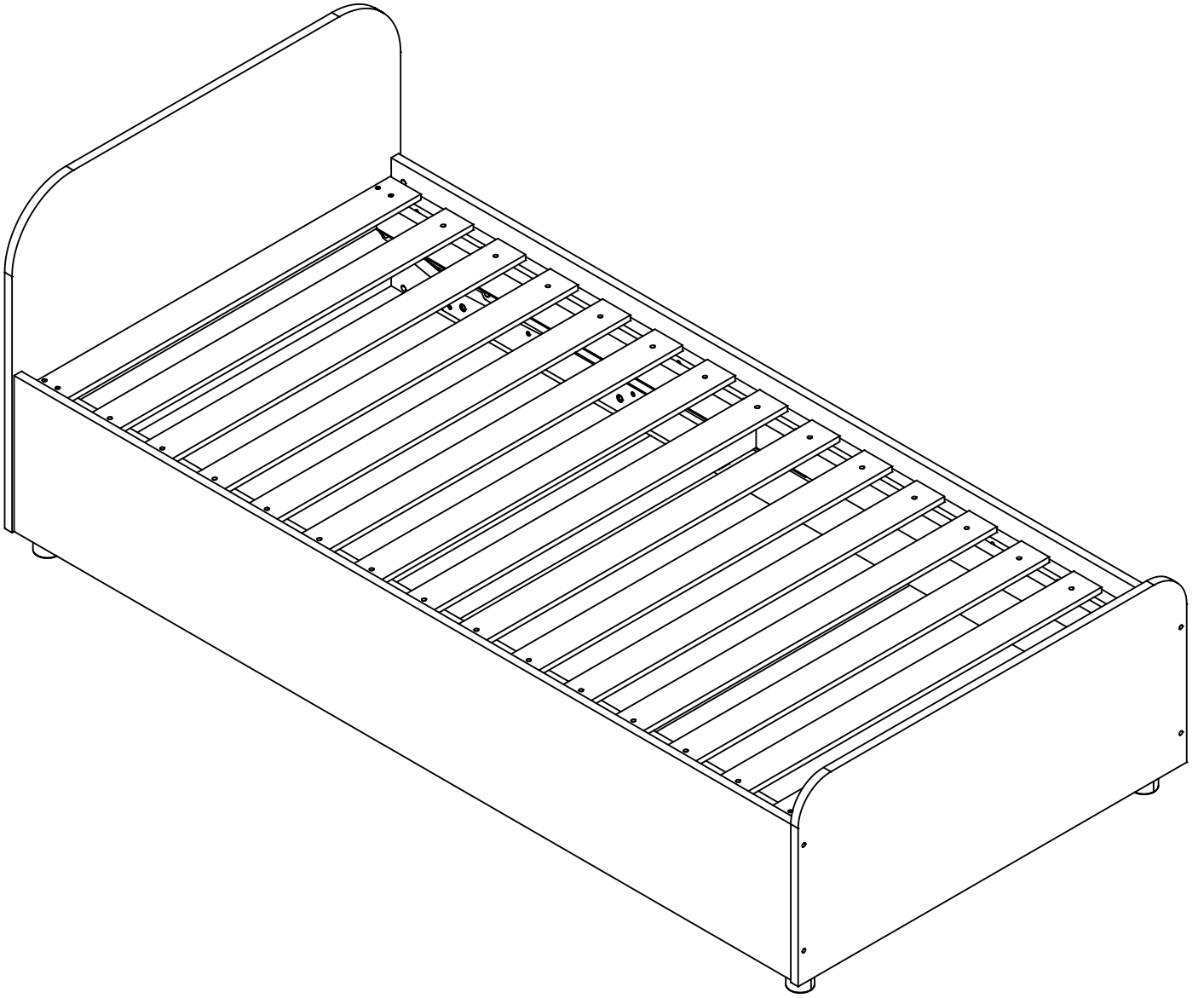


8mm



Ø4x30mm

12



## **EN - IMPORTANT! KEEP FOR FUTURE REFERENCE: READ CAREFULLY**

- To be assembled by an adult. Assembly must be checked by an adult before use
- **WARNING!** keep all screws, small parts and plastic bags out of the reach of children
- Properly identify all parts before assembling
- Never use your item if any of its parts are broken or missing
- Should any problems arise, please contact our After Sales Service
- Manufacturer's instructions shall be followed at all times
- Care: clean with a soft, dry cloth. In case of larger stains, carefully rub with a slightly damp, non-abrasivesponge
- Do not jump on the bed
- **WARNING ! Maximum weight of mattress (not supplied with this product): 20 kg**
- **WARNING ! Risk of crushing and of shearing of hands and fingers.** Open and close the chest of the bed with care by making sure of the absence of any person or any animal on the bed or next to the bed. Do not enter neither play, or allow any person or any animal enter or play, inside the chest of the bed.

## **IMPORTANT - READ CAREFULLY - RETAIN FOR FUTURE REFERENCE**

### **Safety Information**

All assembly fixings should be tightened properly and care should be taken that no fittings are loose. Regular tightening of the bolts is recommended to extend the lifespan of the product. Please follow all the instructions when assembling the product and do not use power tools when building.

**Warning:** The product should not be used if any structural part is broken or missing. If any part is missing or broken report it and we will replace, do not attempt to fix the item or purchase additional parts not included with the bed; this will invalidate the warranty.

### **Return Information**

If you have any problems with the item just email us at [info@noaandnani.co.uk](mailto:info@noaandnani.co.uk) and we can resolve it for you, our technical team will be able to assist in helping. If you have any parts that are damaged we can replace them for you. If you do need to return the item for some reason just email and request an RMA number .

### **Assembly Information**

We understand that self assembly furniture can be a pain but we try and make it as easy as possible for anyone to build, if you have found a problem with the assembly of the product or with the assembly instructions or you have comments on how we could improve them, we would love to hear from you. Just contact us either by email at [productadvice@noaandnani.co.uk](mailto:productadvice@noaandnani.co.uk) or via Live Chat on our website [noaandnani.co.uk](http://noaandnani.co.uk)

### **Related Items**

We have a matching range of items that compliment this product, just head to [noaandnani.co.uk](http://noaandnani.co.uk) for the full selection.

THIS BED HAS BEEN TESTED AND CERTIFIED TO BS 8509:2008+A1: 2011 Children's beds for domestic use – Safety requirements and test methods

Any Questions or Issues Scan here for help



**NÖA & NANI**

FAMILY FURNITURE

