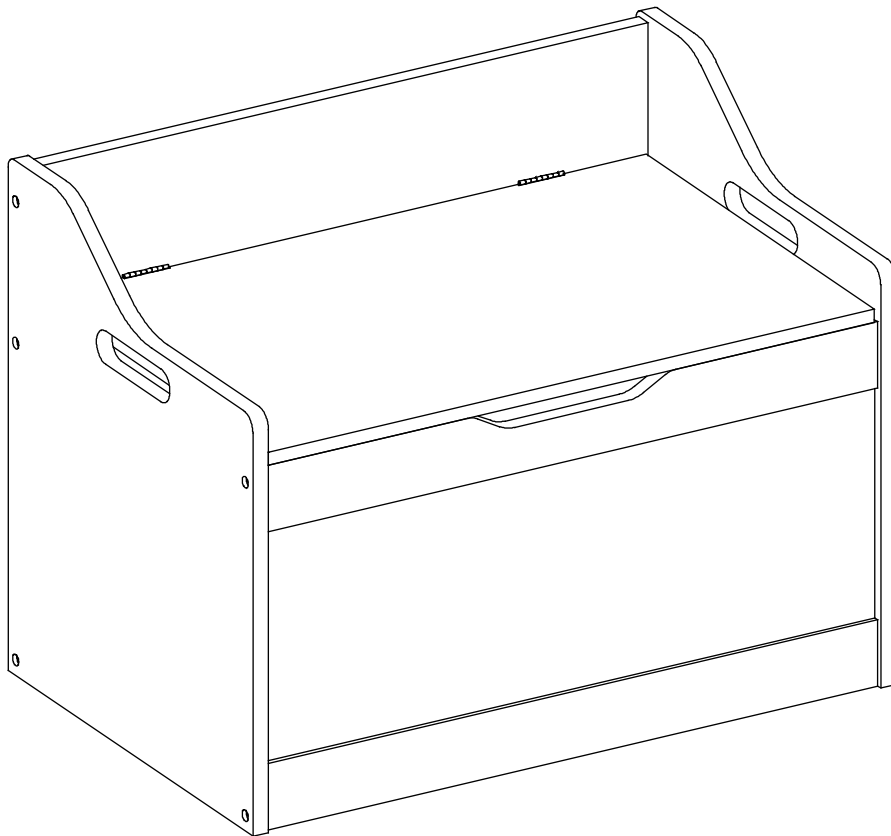
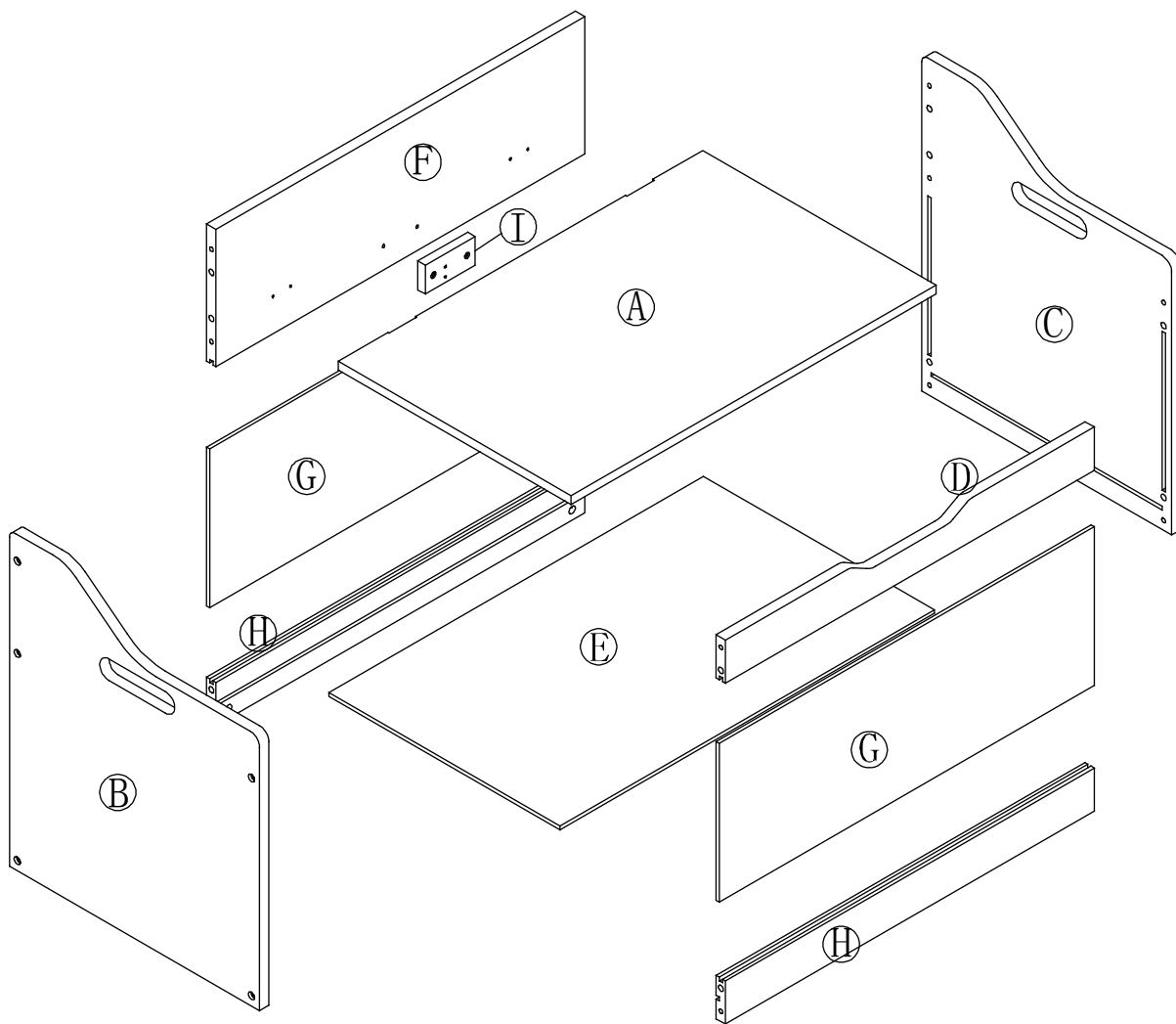


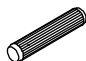





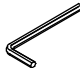

ASSEMBLY INSTRUCTIONS

<<Before assembling, read all the instruction>>

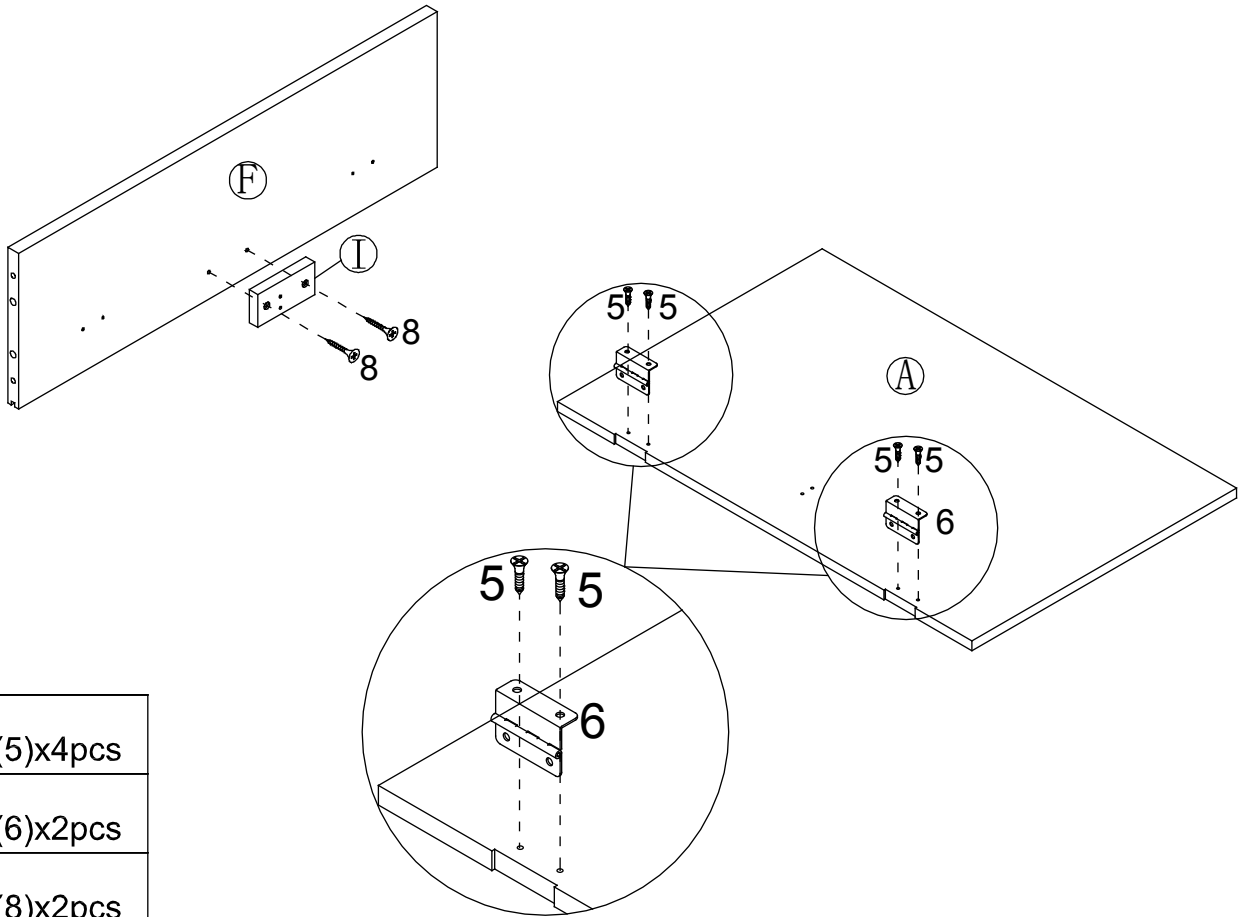




Hardware:

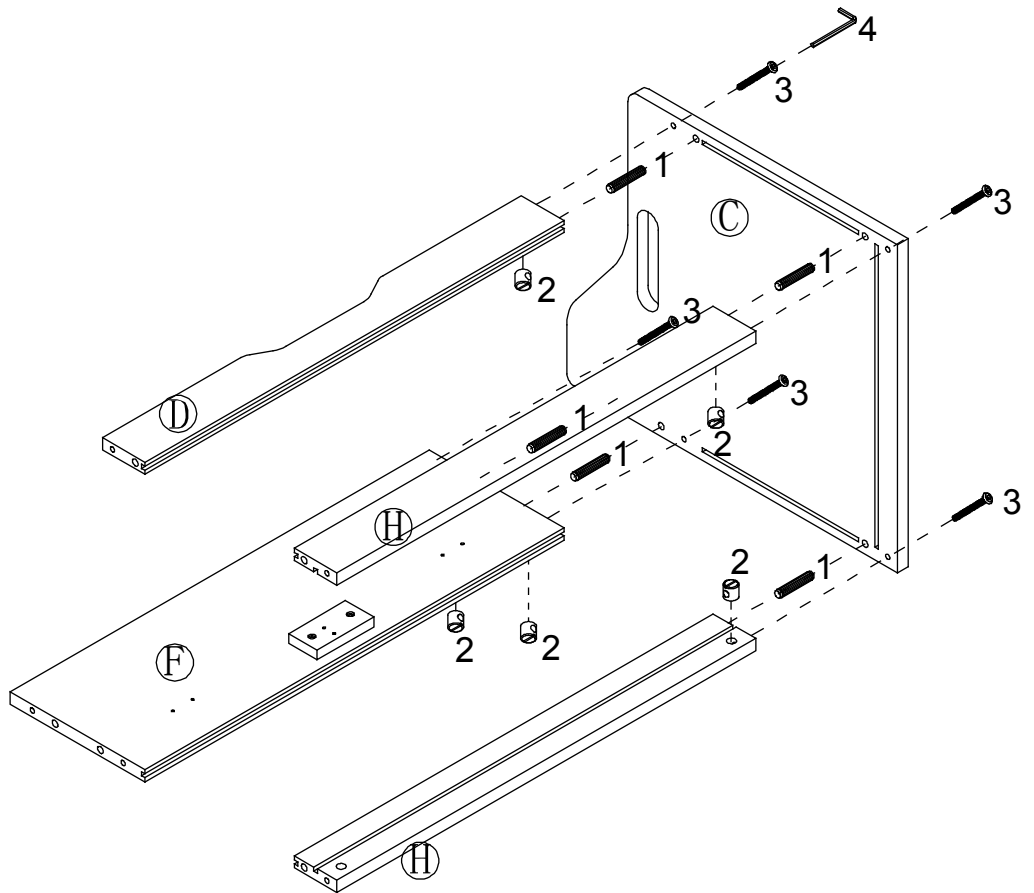
Letter	Draw	Number	Letter	Draw	Number
1	 8x30mm	10pcs	5	 3x12mm	12pcs
2	 10x10mm	10pcs	6		2pcs
3	 6x40mm	10pcs	7		1pc
4		1pc	8	 4x25mm	2pcs

1



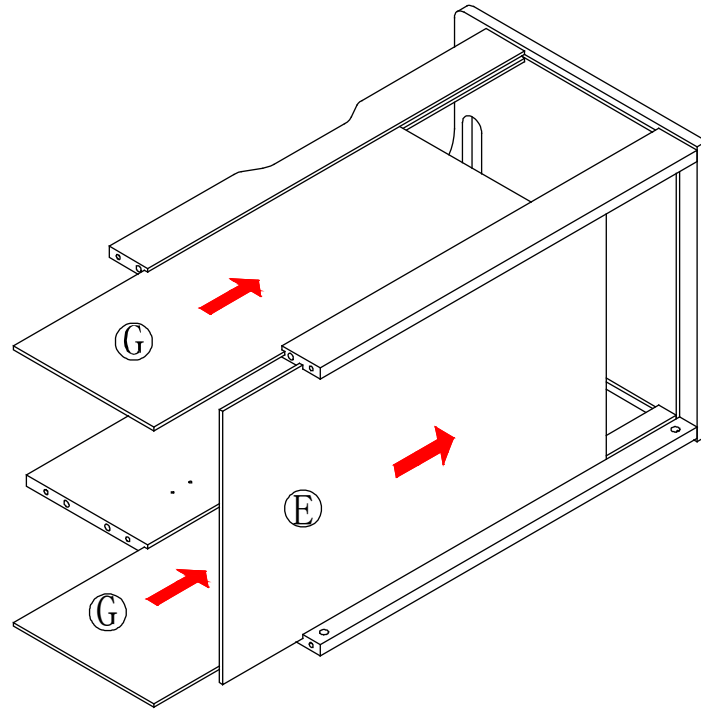
	(5)x4pcs
	(6)x2pcs
	(8)x2pcs

2

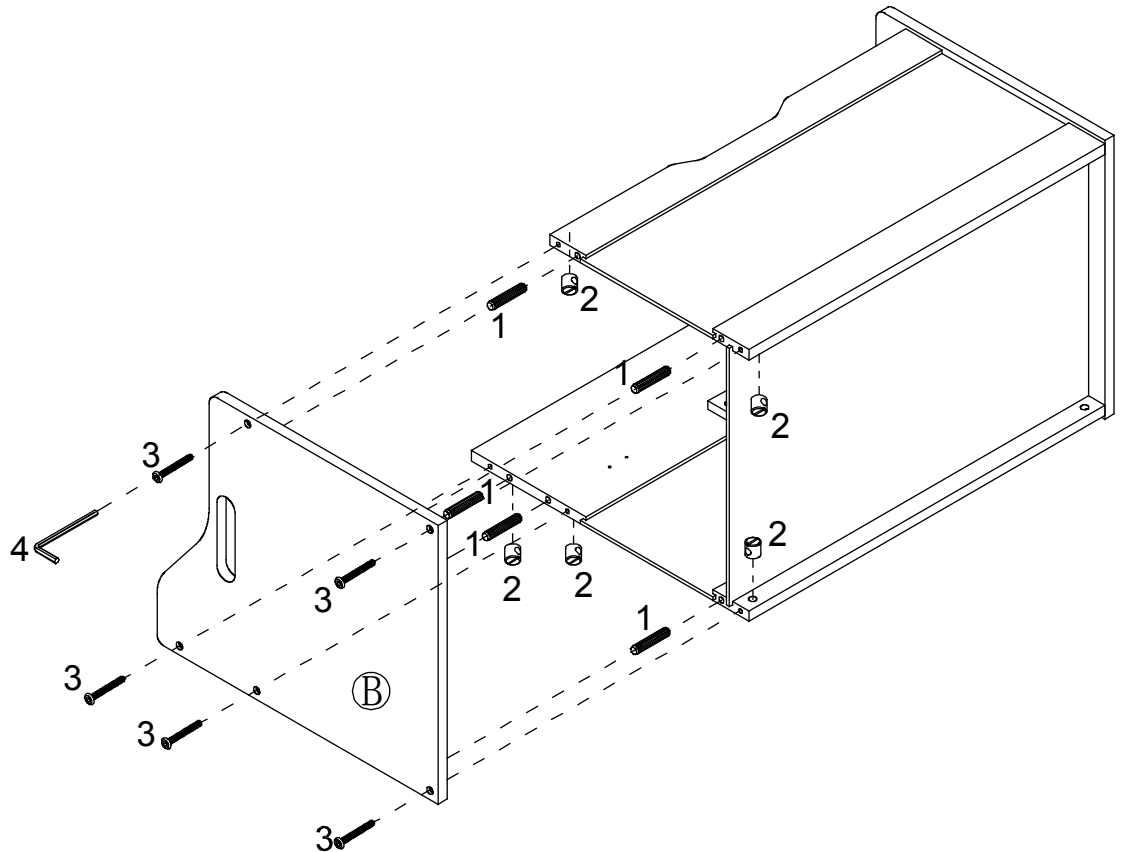


	(1)x5pcs
	(2)x5pcs
	(3)x5pcs
	(4)x1pc

3



4



(1)x5pcs



(2)x5pcs

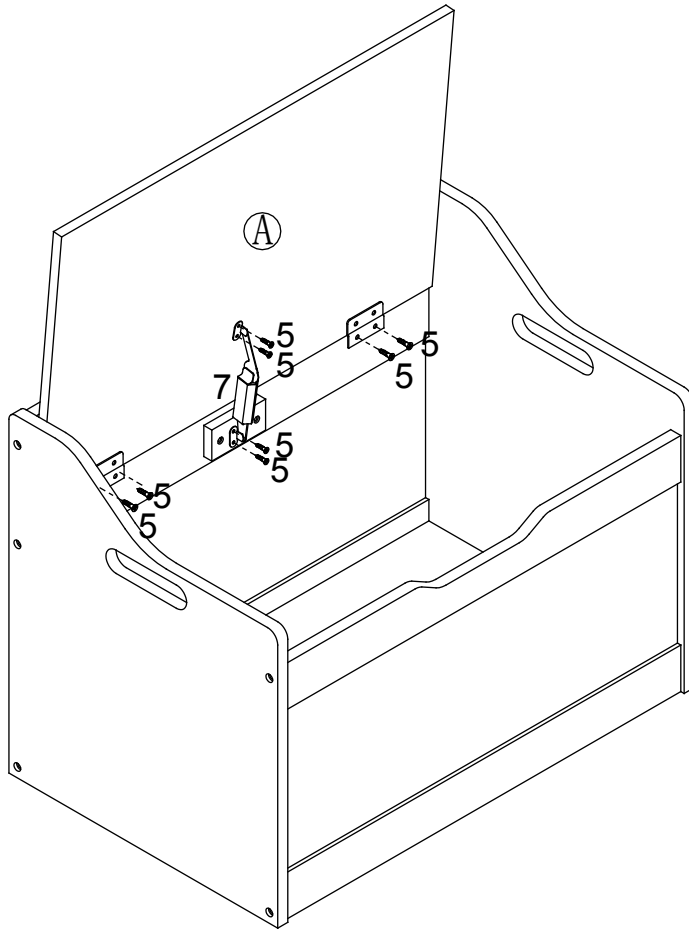


(3)x5pcs

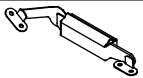


(4)x1pc

5



(5)x8pcs



(7)x1pc

6

