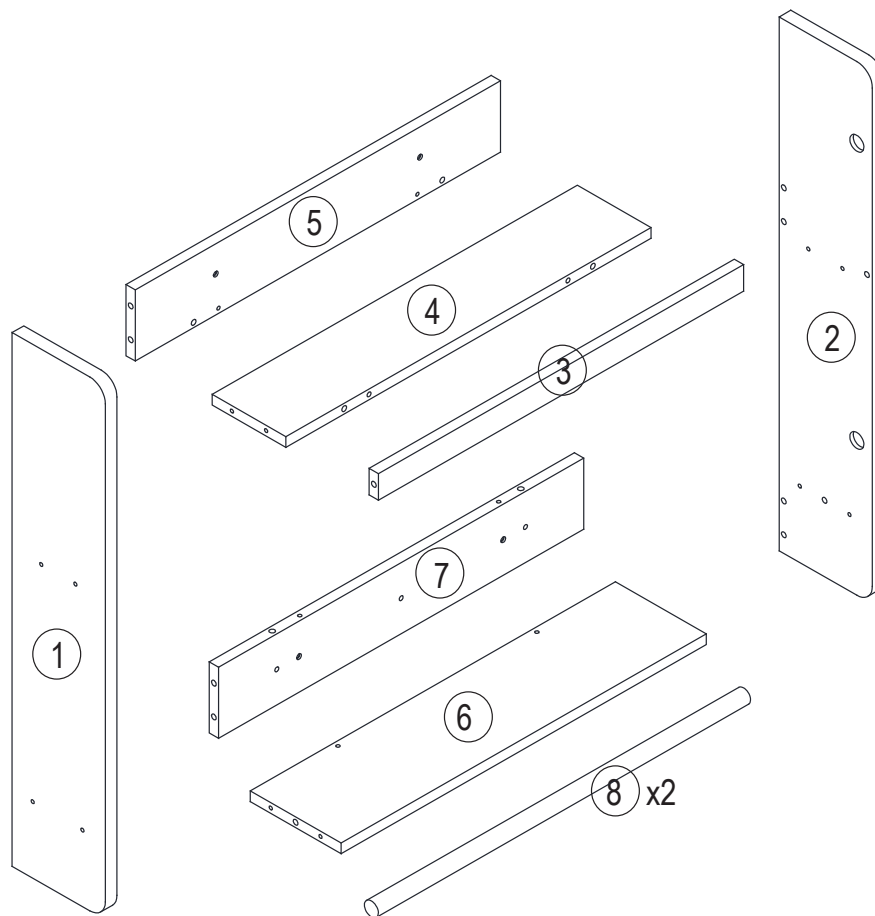




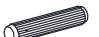



**NÖA & NANI**  
FAMILY FURNITURE

**Elene 2 Shelf Unit W/Coat Hook**  
**ASSEMBLY INSTRUCTIONS**

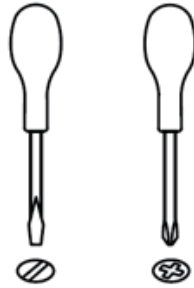
**ID:23890**



**Hardware:**

Part No.	Part	Quantity	Part No.	Part	Quantity
<b>A</b>	 6x35mm	2pcs	<b>D</b>	 9.5x15mm	2pcs
<b>B</b>	 6x30mm	18pcs	<b>E</b>		3pcs
<b>C</b>	 4x30mm	15pcs	<b>F</b>		12pcs

### Tools Required



**CAUTION:** Do not use tools other than those required, as this can damage your new item.

### NOTE

- Please check you have all hardware before assembling.
- If you are missing any hardware, please contact the store of purchase.
- Please ensure you have the name of the item, required hardware part and quantity.
- Please retain your receipt as proof of purchase to validate your warranty.

### CAUTION

- Do not tighten screws before all screws are in the right place.
- Do not use this product unless all bolts, screws and knobs are firmly secured.
- Check that all bolts, screws and knobs are securely tightened at least every 4 months.

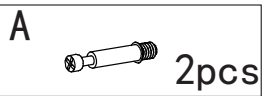
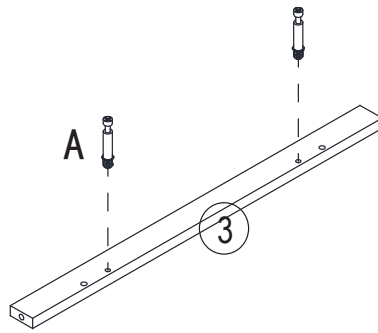
### WARNING

- If parts are missing, broken, damaged or worn stop using the product until all repairs are made using manufacturer authorised parts.
- Failure to follow these warnings could result in serious injury.

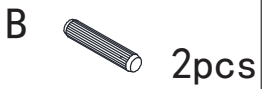
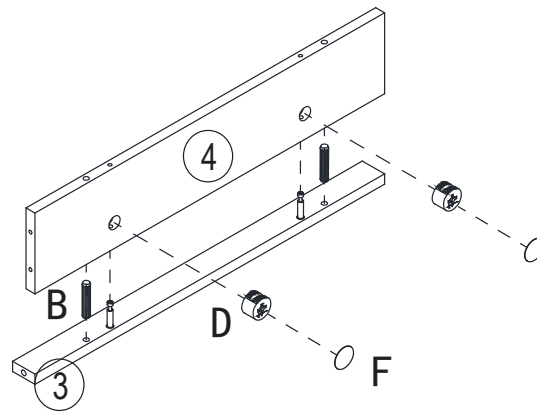
### DANGER

- CHILDREN MUST BE SUPERVISED.

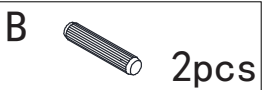
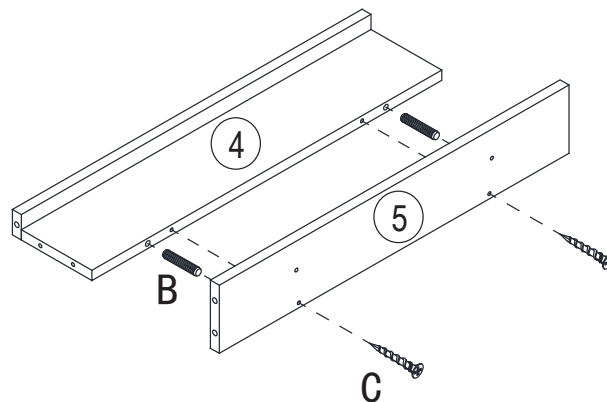
### Step1



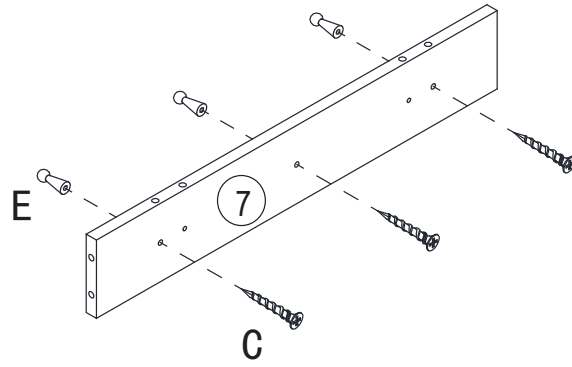
### Step2





### Step3



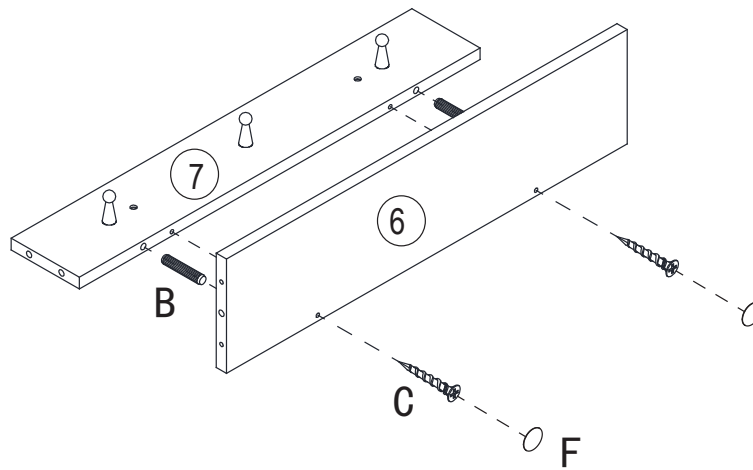
# Step4

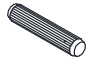


C  3pcs

E  3pcs

# Step5

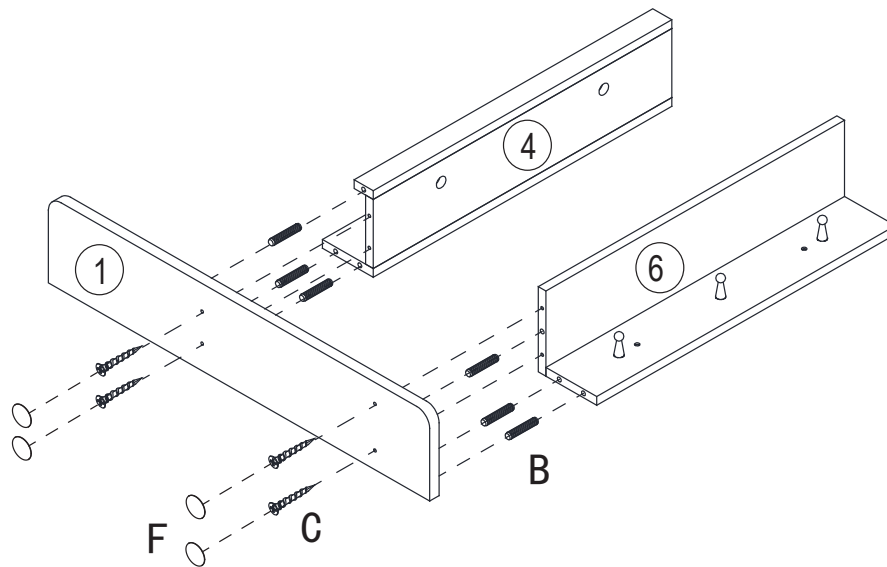


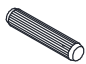
B  2pcs

C  2pcs


F  2pcs

## Step6

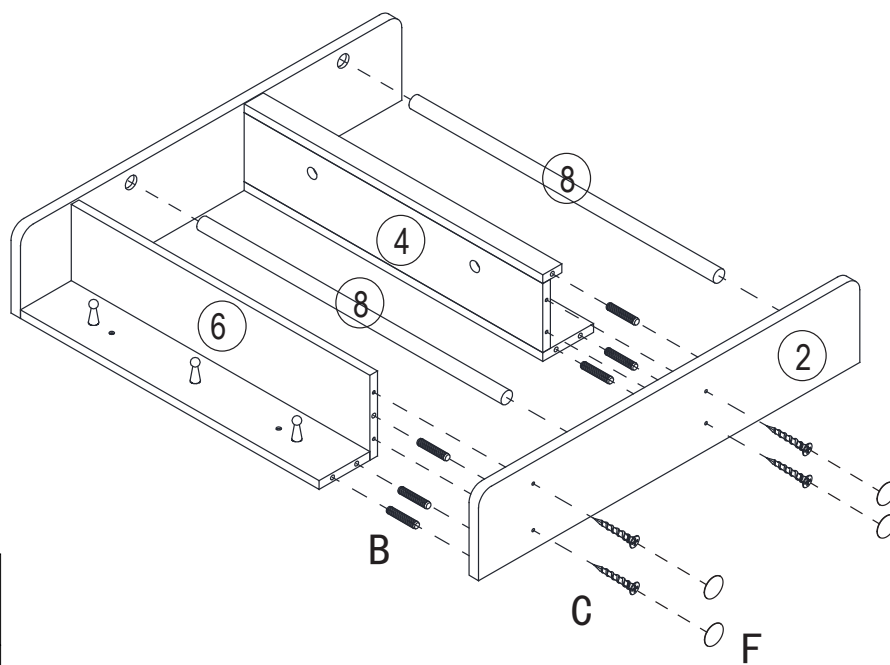


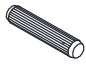
B  6pcs

C  4pcs

F  4pcs

## Step7

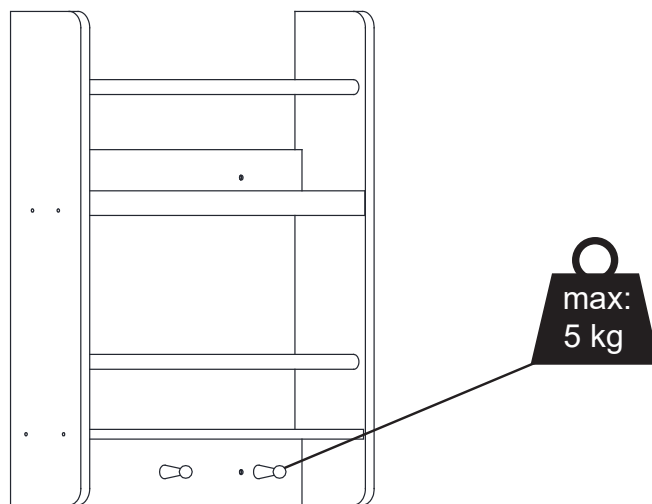
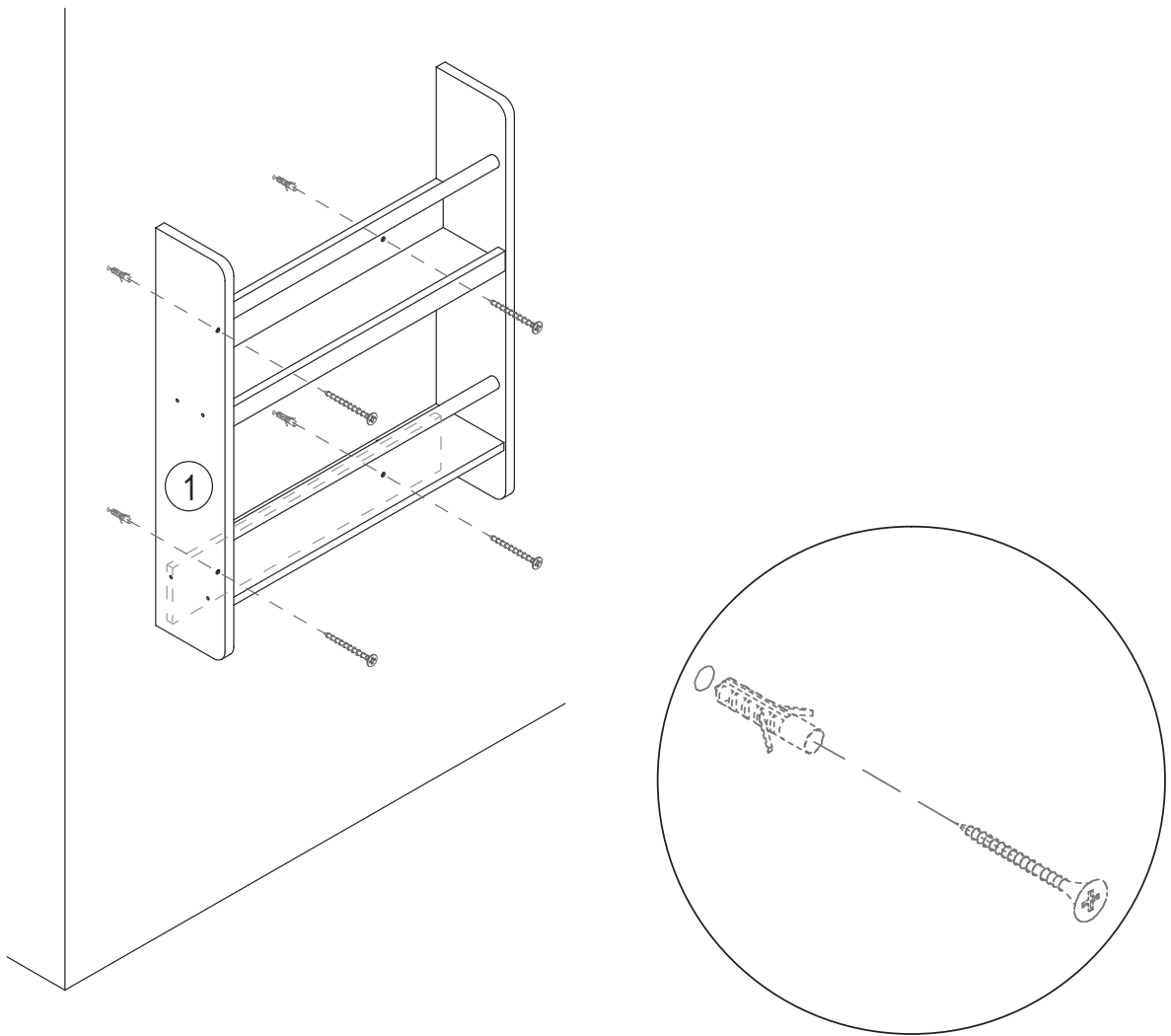


B  6pcs

C  4pcs

F  4pcs

# Step 8



## IMPORTANT - READ CAREFULLY - RETAIN FOR FUTURE REFERENCE

### Safety Information

All assembly fixings should be tightened properly and care should be taken that no fittings are loose. Regular tightening of the bolts is recommended to extend the lifespan of the product. Please follow all the instructions when assembling the product and do not use power tools when building.

### Return Information

If you have any problems with the item just email us at [info@noaandnani.co.uk](mailto:info@noaandnani.co.uk) and we can resolve it for you, our technical team will be able to assist in helping. If you have any parts that are damaged we can replace them for you. If you do need to return the item for some reason just email and request an RMA number and fill in the form on the next page and we can arrange the return of the goods.

### Assembly Information

We understand that self assembly furniture can be a pain but we try and make it as easy as possible for anyone to build, if you have found a problem with the assembly of the product or with the assembly instructions or you have comments on how we would improve them, we would love to hear from you. Just contact us either by email at [productadvice@noaandnani.co.uk](mailto:productadvice@noaandnani.co.uk) or via Live Chat on our website [noaandnani.co.uk](http://noaandnani.co.uk)

### Related Items

We have a matching range of items that compliment this product, just head to [noaandnani.co.uk](http://noaandnani.co.uk) for the full selection.

**NÖA & NANI**  
FAMILY FURNITURE



[noaandnani.co.uk](http://noaandnani.co.uk)