
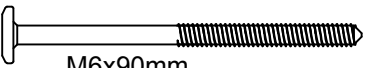


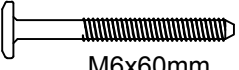

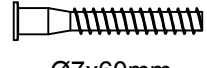
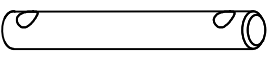

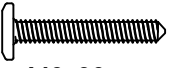

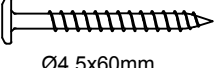

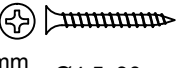
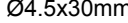

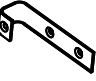

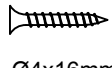





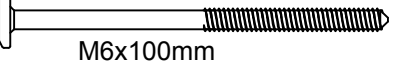
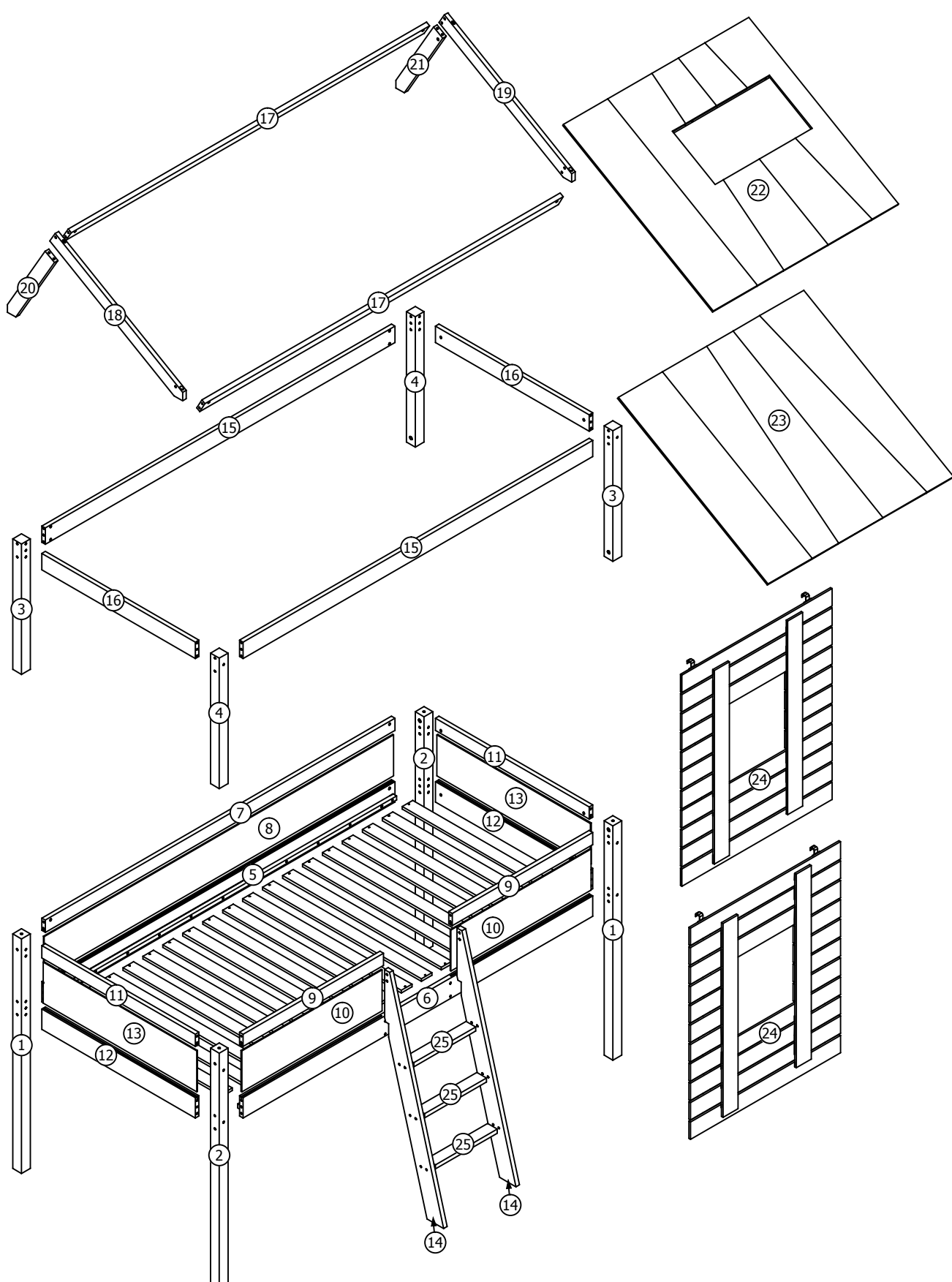


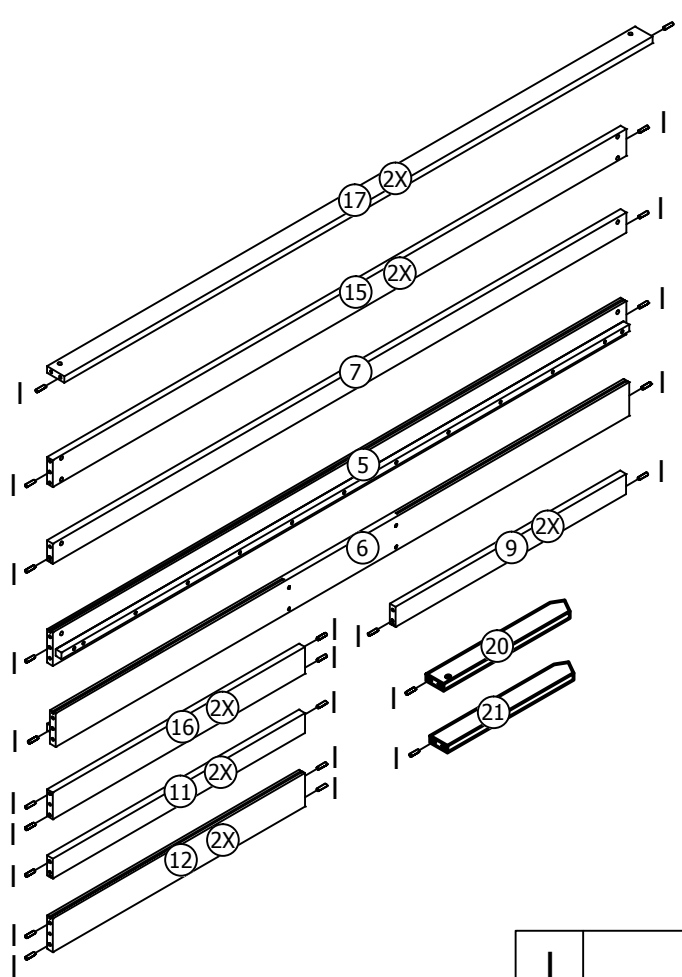
HARDWARE


A	 15mm	 M6x90mm	32
B			40
C	 15mm	 M6x60mm	06
D	 10mm	 Ø7x60mm	12
F			04
G	 15mm	 M6x30mm	08
H	 8mm	 Ø4.5x60mm	06
I		 Ø8x30mm	40

J	 8mm	 Ø4.5x30mm	48
K			02
L			08
M	 8mm	 Ø4x16mm	24
N		 Ø8mm	02
O		 Ø15mm	30
P	 15mm	 M6x100mm	02

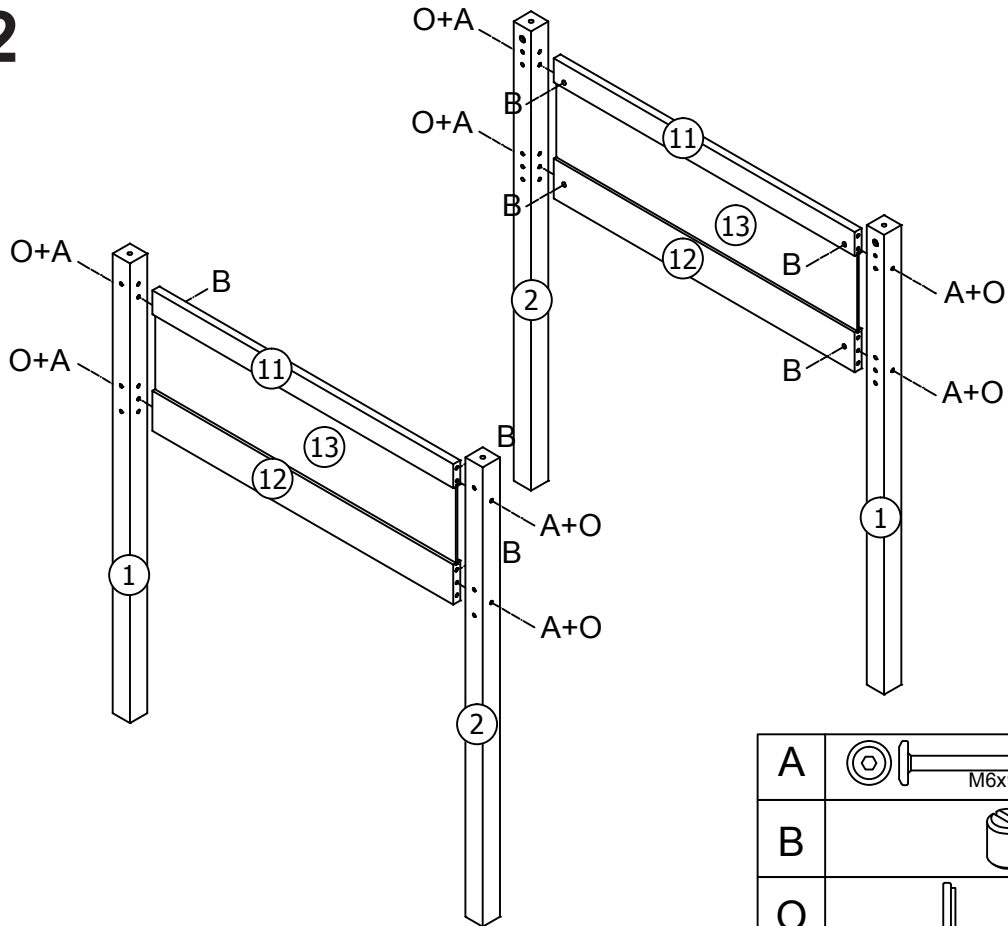


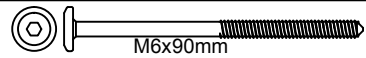


01



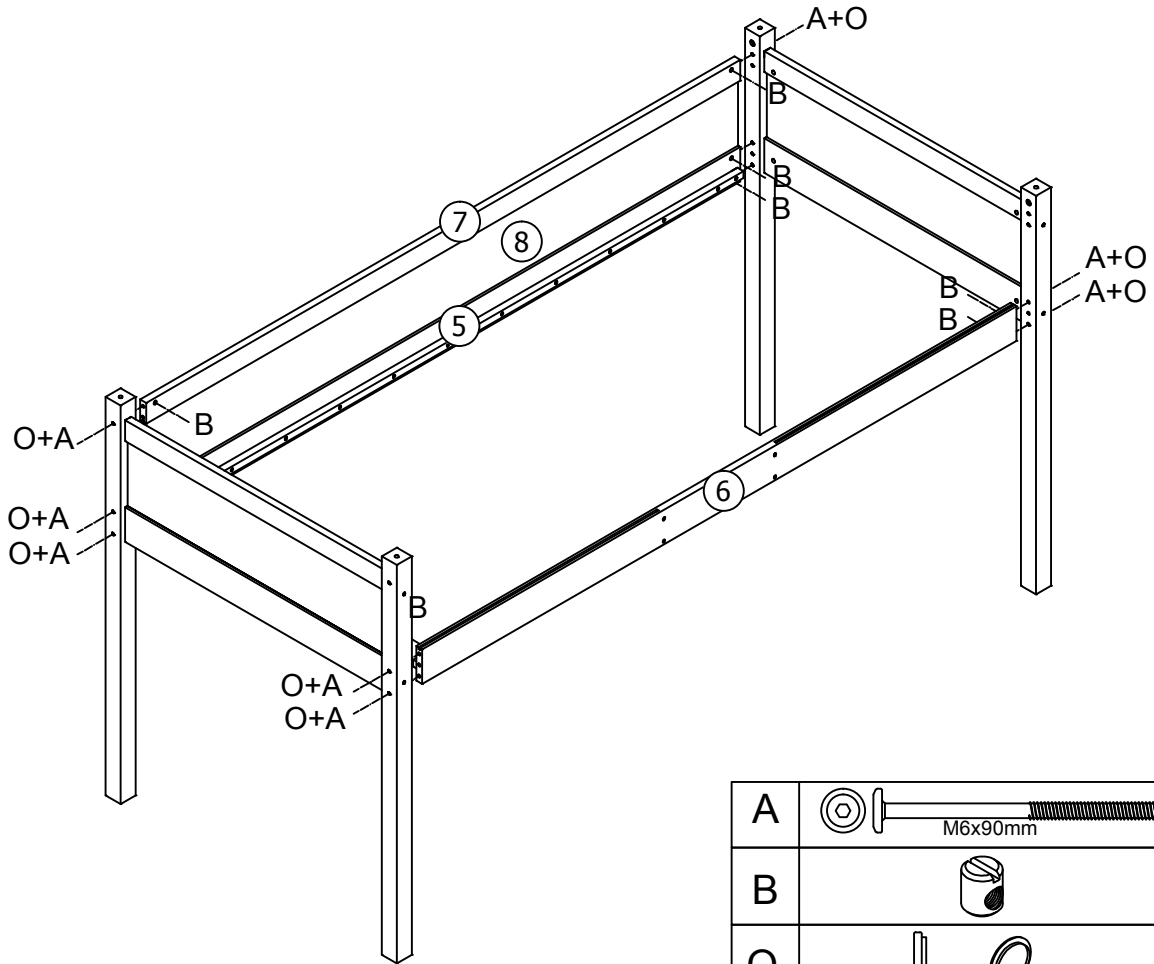
I	 Ø8x30mm	40
---	--	----




02



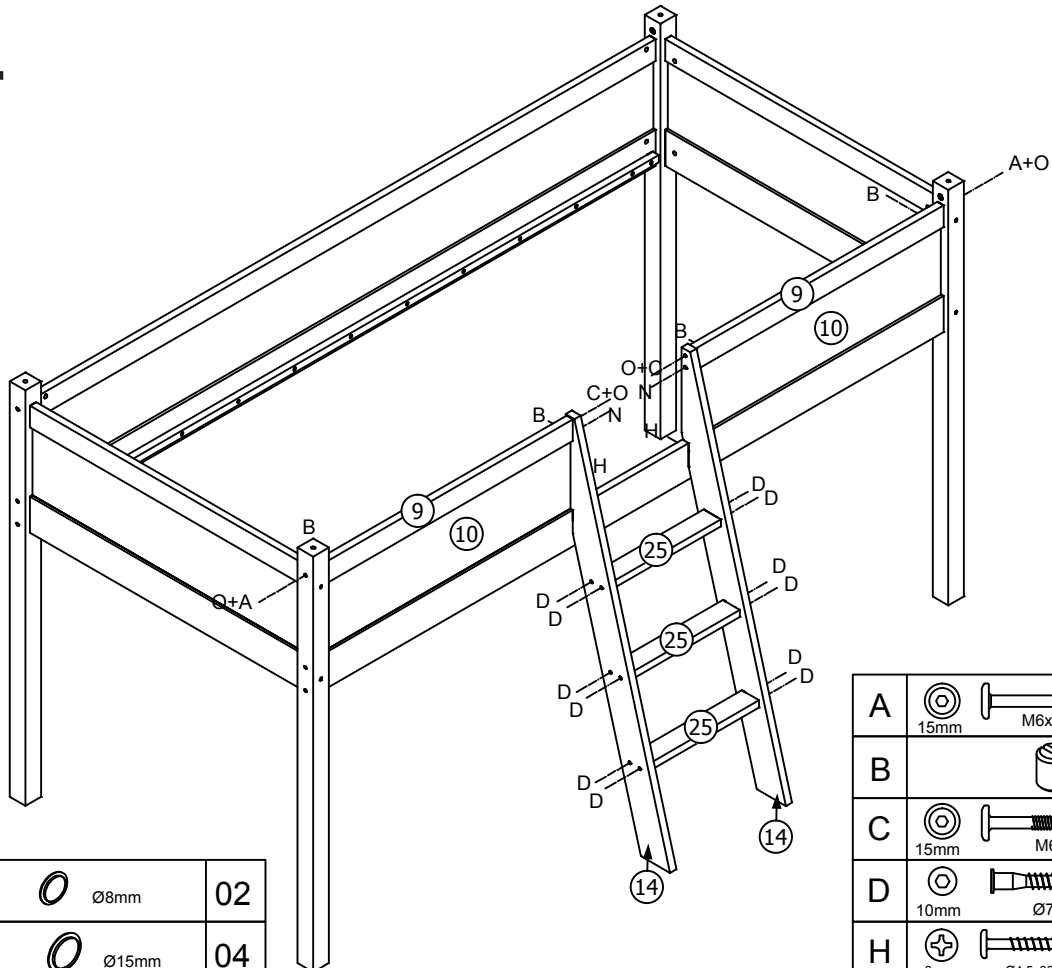
A	 M6x90mm	08
B		08
O	 Ø15mm	08




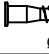
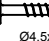
03




A	 M6x90mm	10
B		10
O	 Ø15mm	10

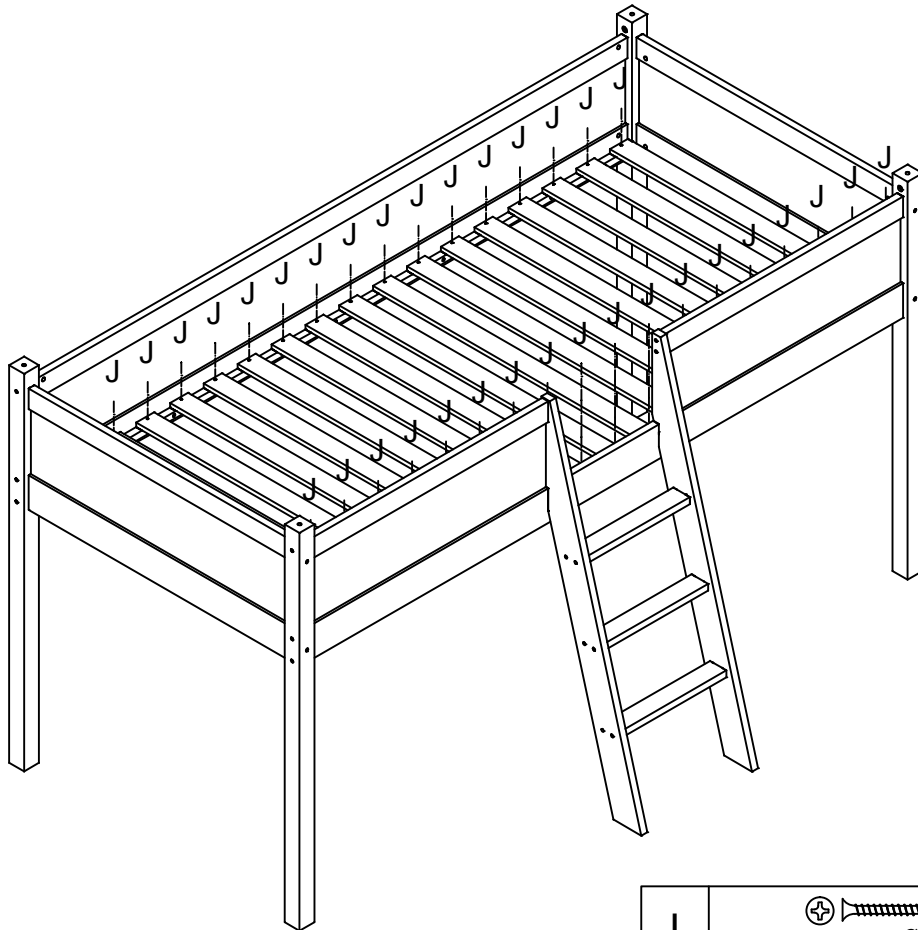
04

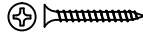


A	 15mm M6x90mm	02
B		04
C	 15mm M6x60mm	02
D	 10mm Ø7x60mm	12
H	 8mm Ø4.5x60mm	02

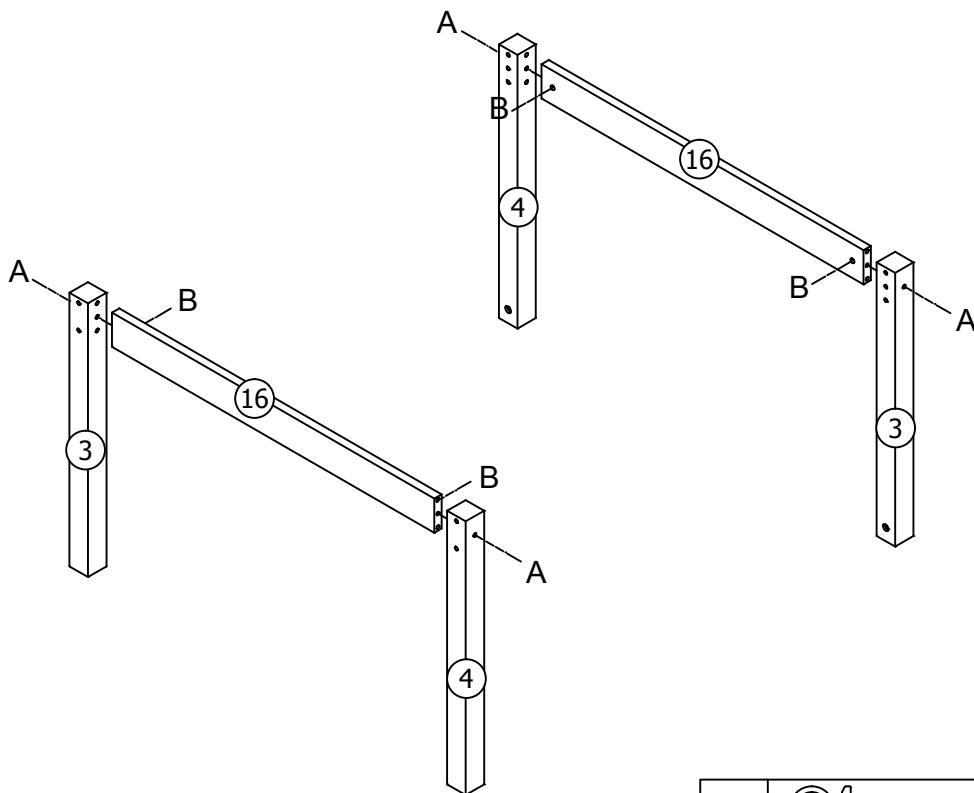
N	 Ø8mm	02
O	 Ø15mm	04



05



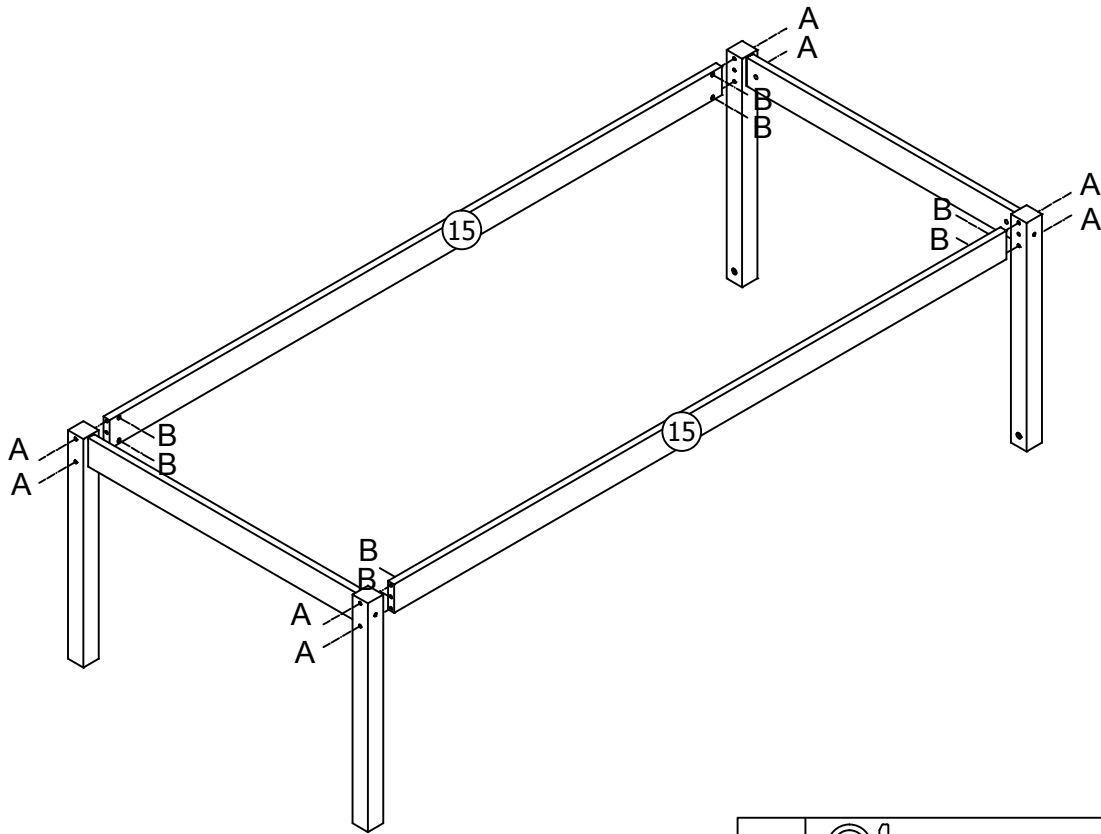
J	 8mm Ø4x30mm	36
---	--	----



06



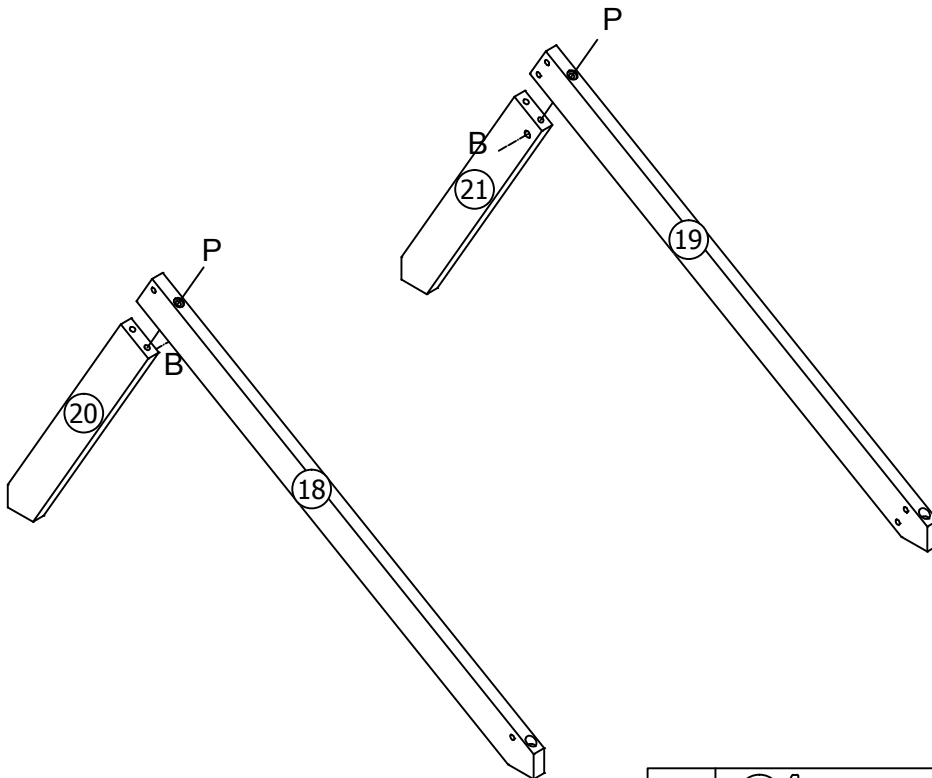
A	 M6x90mm	04
B		04



07



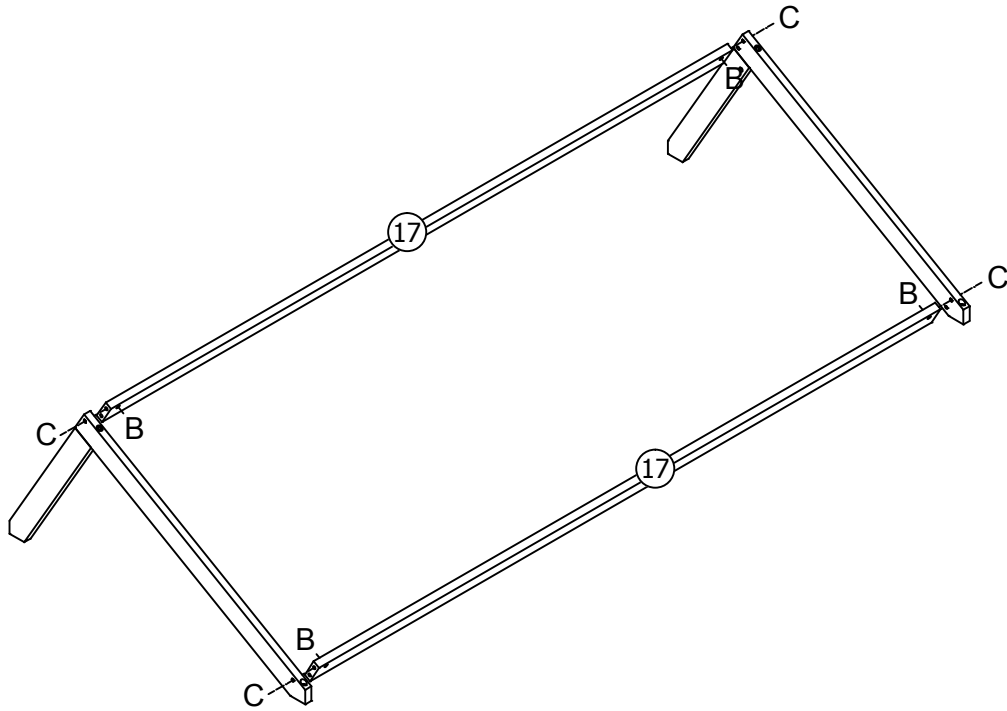
A	 M6x90mm	08
B		08


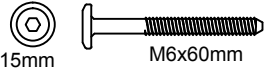
08



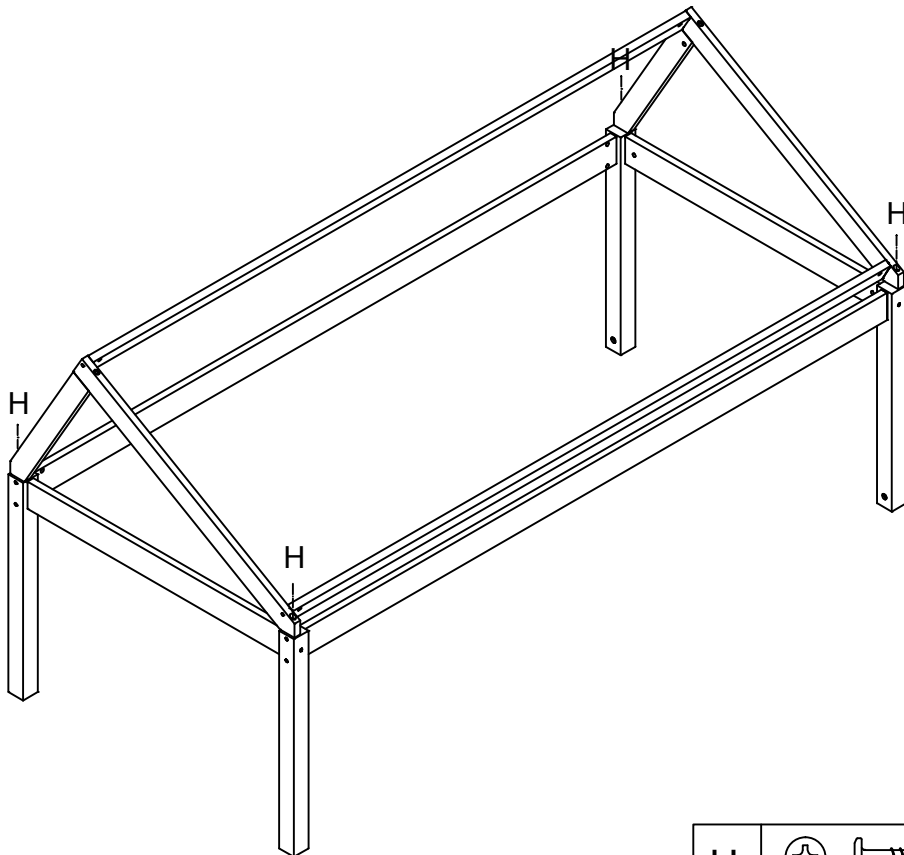
P	 M6x100mm	02
B		02


09



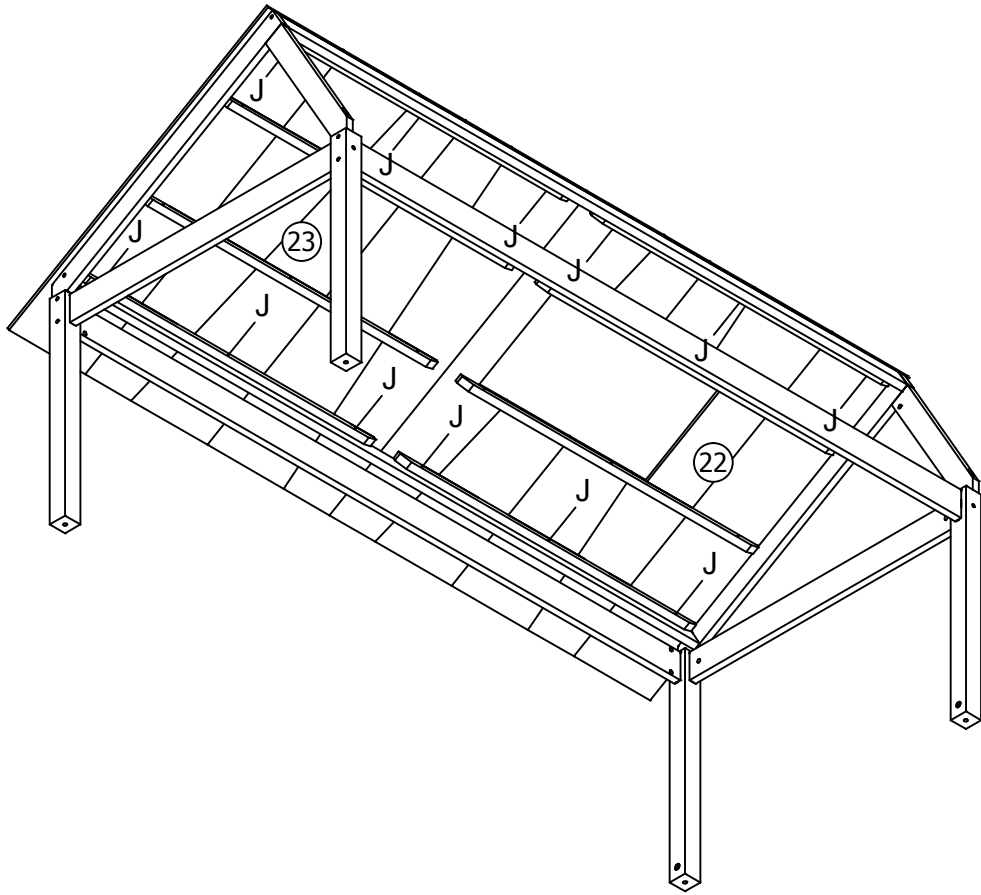
B		04
C	 15mm M6x60mm	04


10



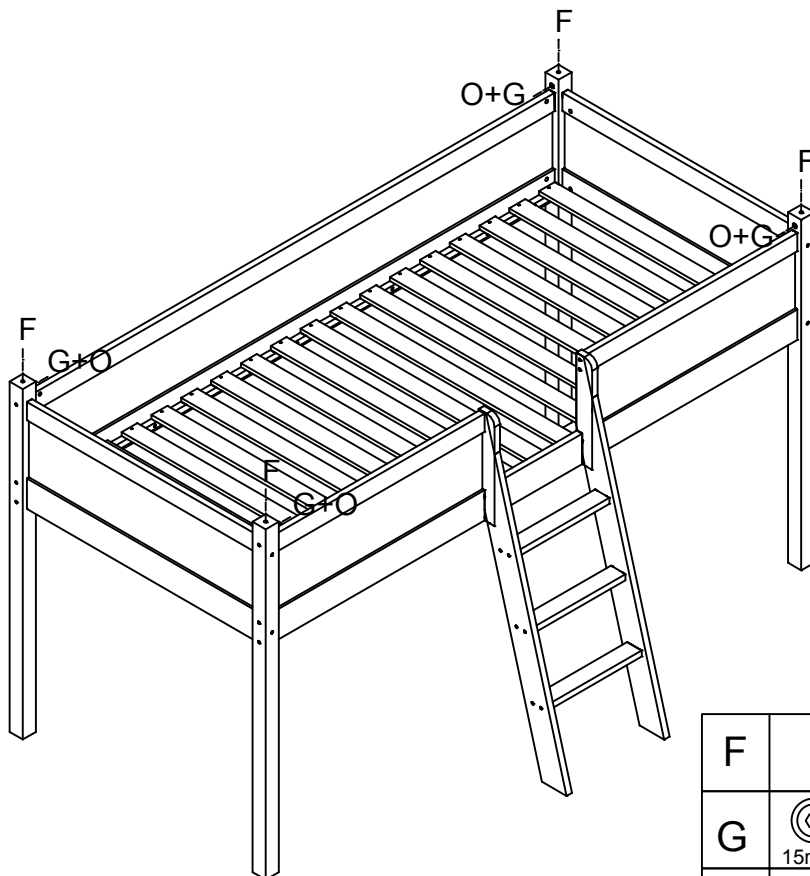
H	 8mm Ø4.5x60mm	04
---	--	----

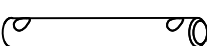
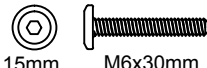

11



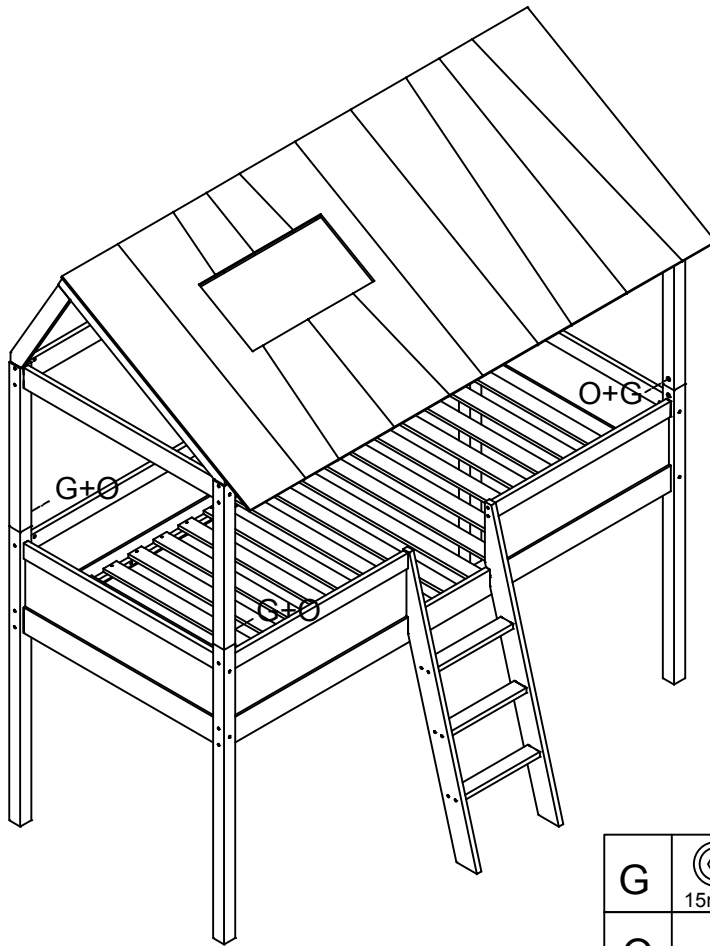
J	 8mm Ø4.5x30mm	12
---	---	----


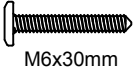


12



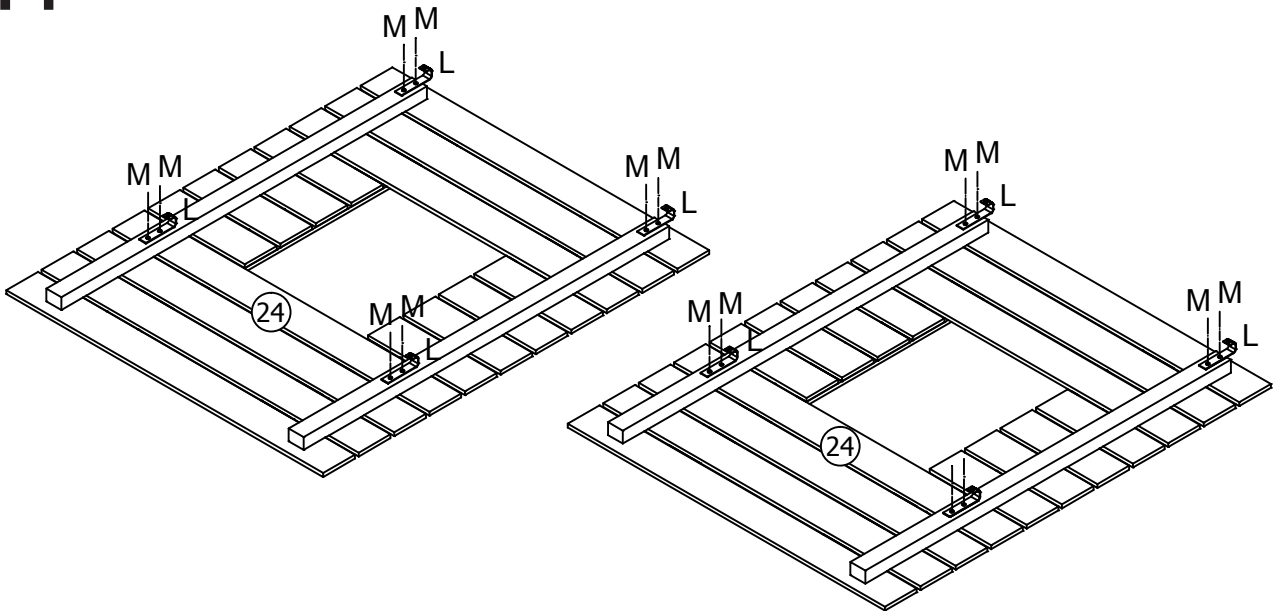
F		04
G	 15mm M6x30mm	04
O	 Ø15mm	04


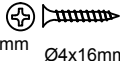
13



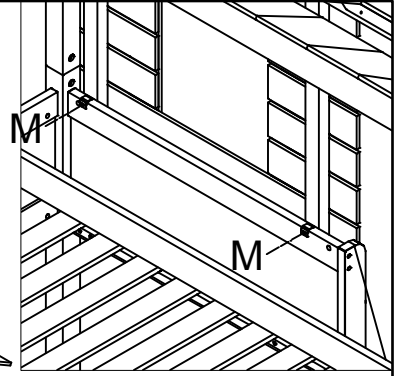
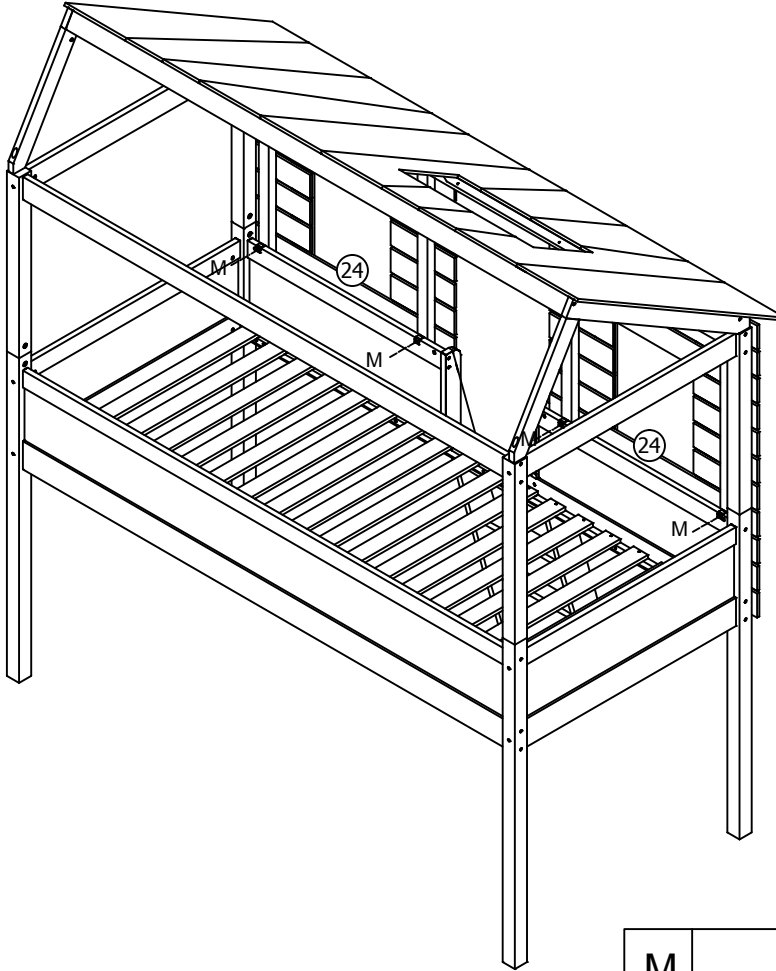
G	 15mm	 M6x30mm	04
O		 Ø15mm	04

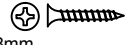
14



L		08
M	 8mm Ø4x16mm	16

15



M	 8mm Ø4x16mm	08
---	--	----

16

