
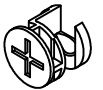



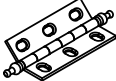

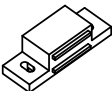


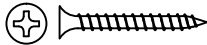
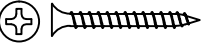
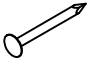
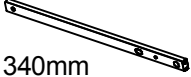




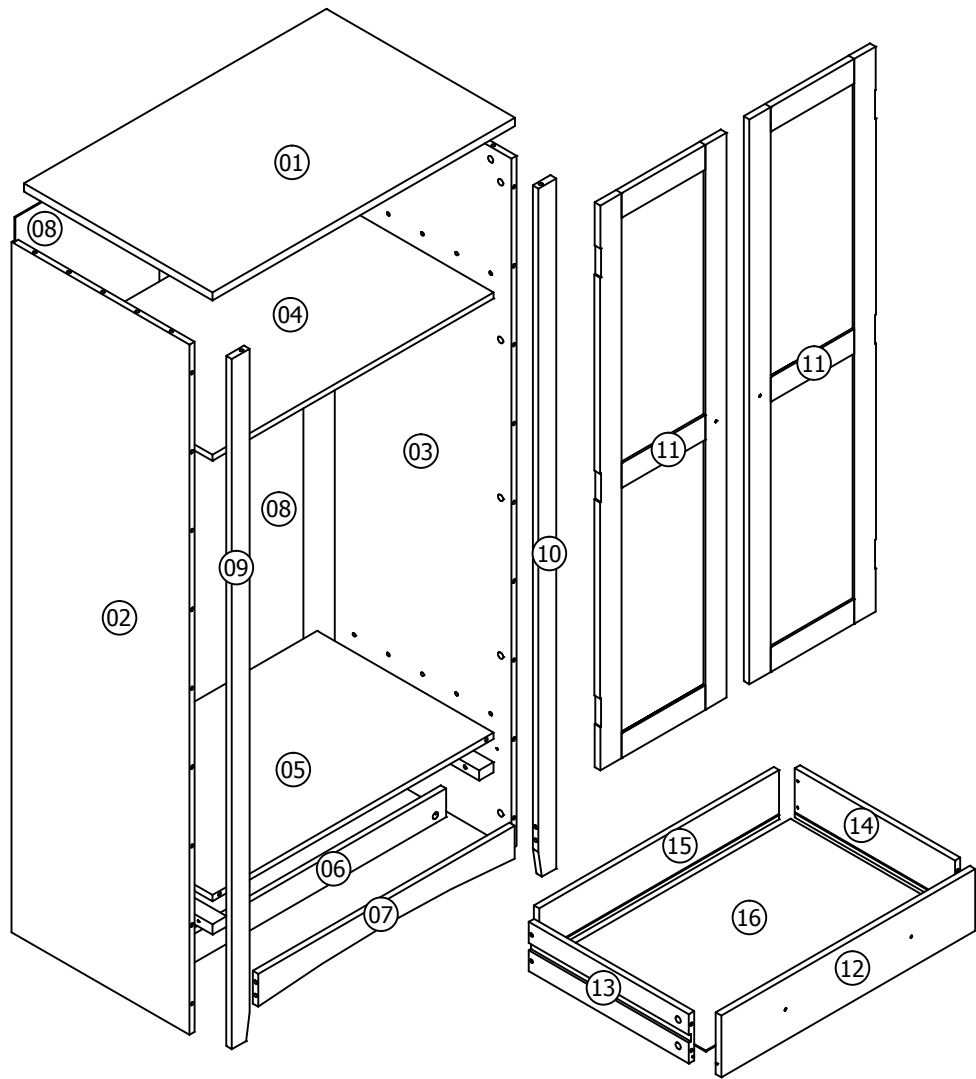


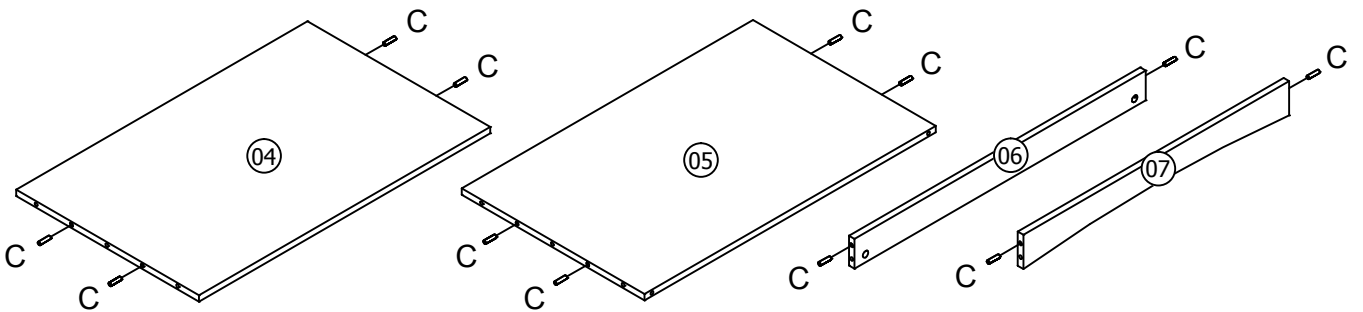
## HARDWARE


A		38
B		38
C	 Ø8x30mm	26
D		04
E	 M4x16mm	04
F		06
G	 Ø3x16mm	36
H		04
I		04

J	 Ø3x12mm	20
K	 8mm Ø3.5x35mm	04
L	 8mm Ø3.5x45mm	06
M		26
N	 340mm	02
O	 Ø5.8x8mm	04
P	 M4x8mm	02
Q		01
R		02

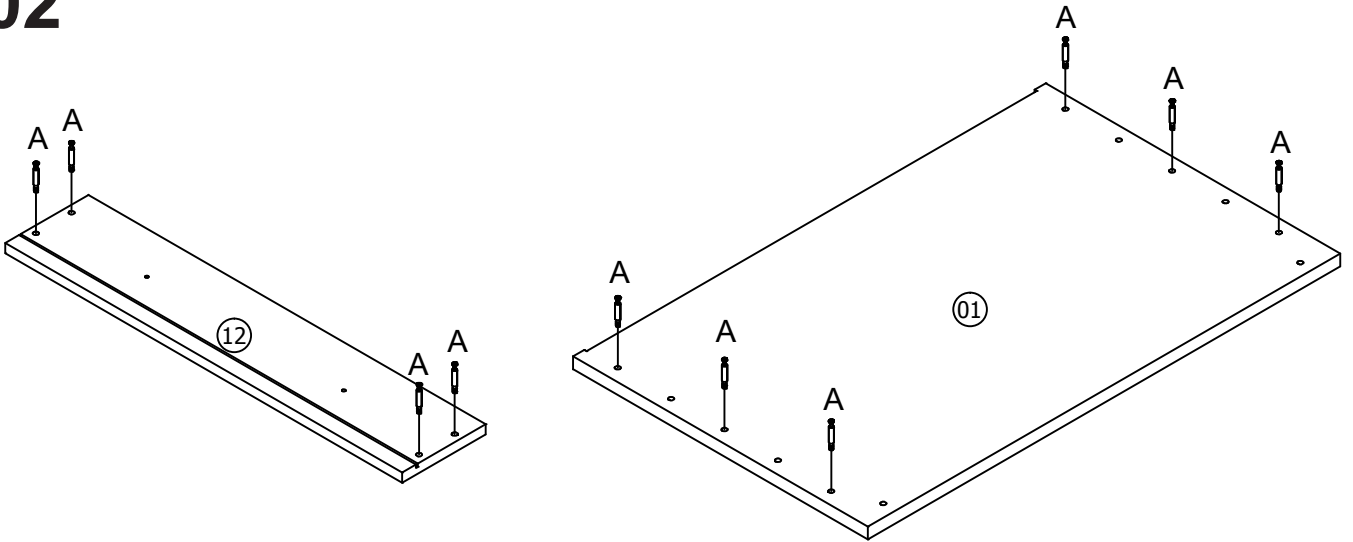



# 01



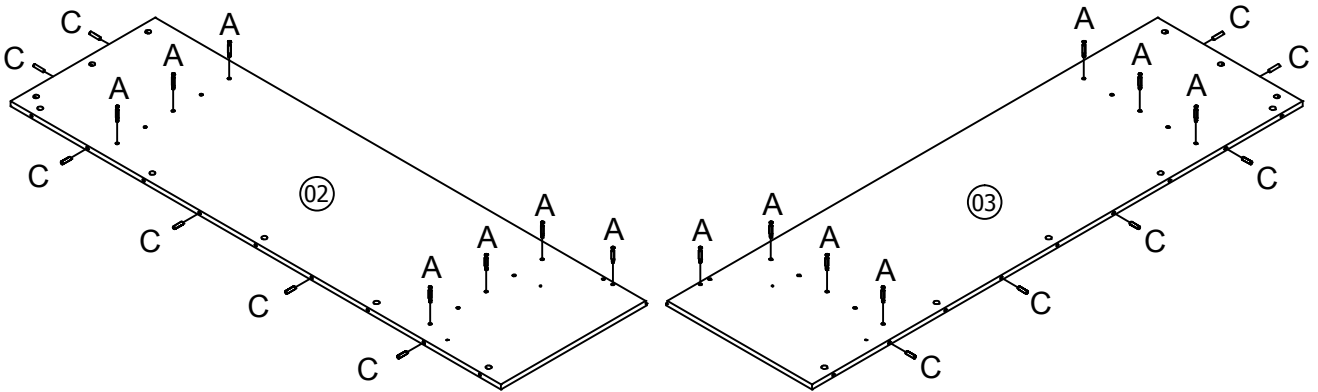
C	 Ø8x30mm	12
---	--	----


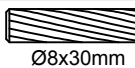
# 02



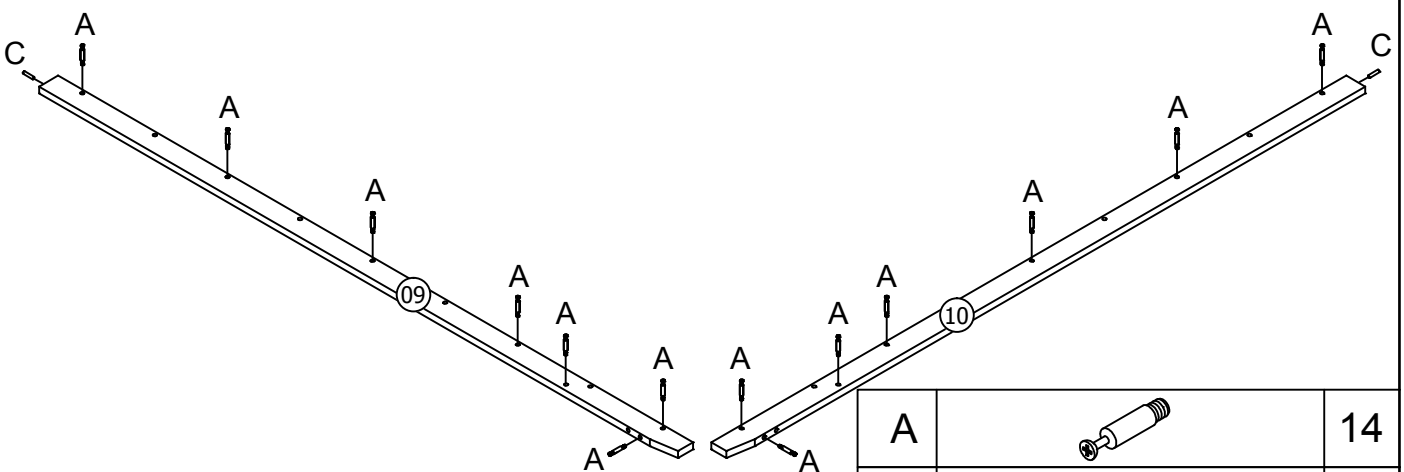
A		10
---	---	----


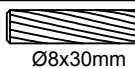
# 03



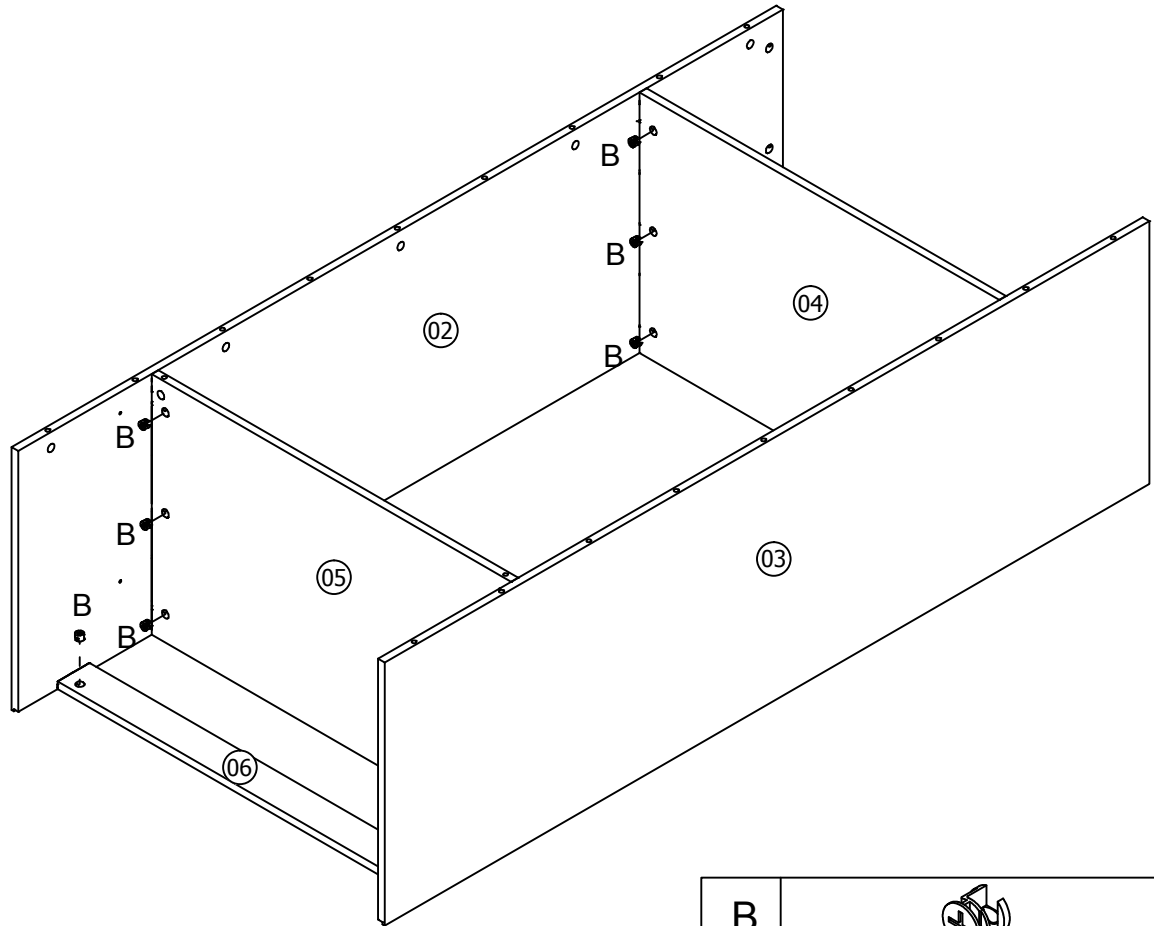
A		14
C	 Ø8x30mm	12


# 04



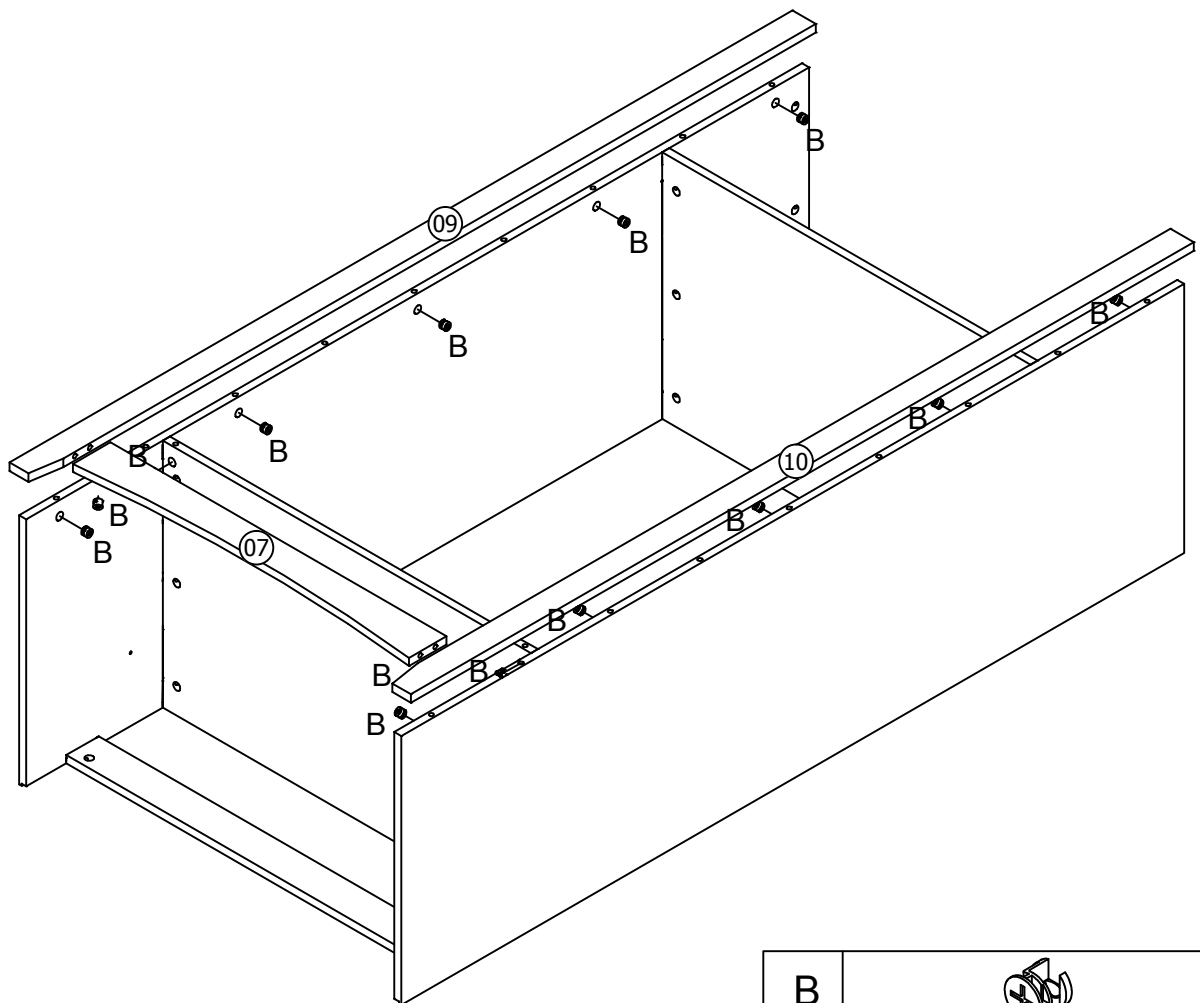
A		14
C	 Ø8x30mm	02

# 05



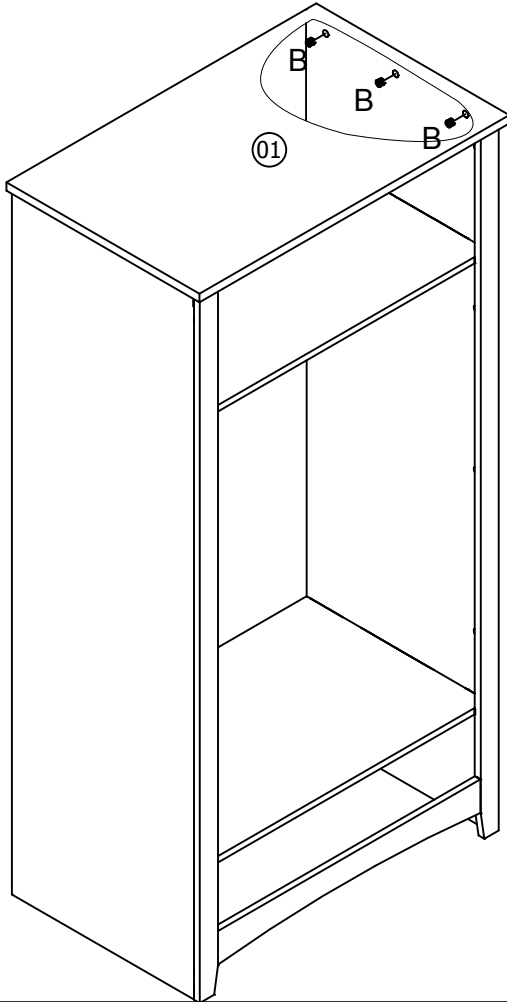
B		14
---	---	----


# 06



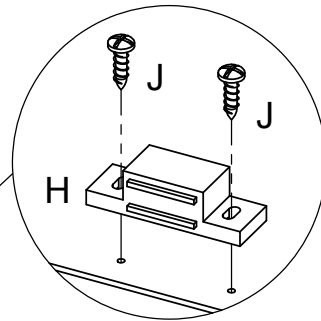
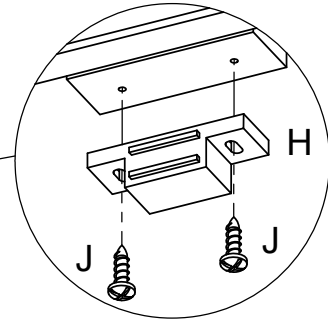
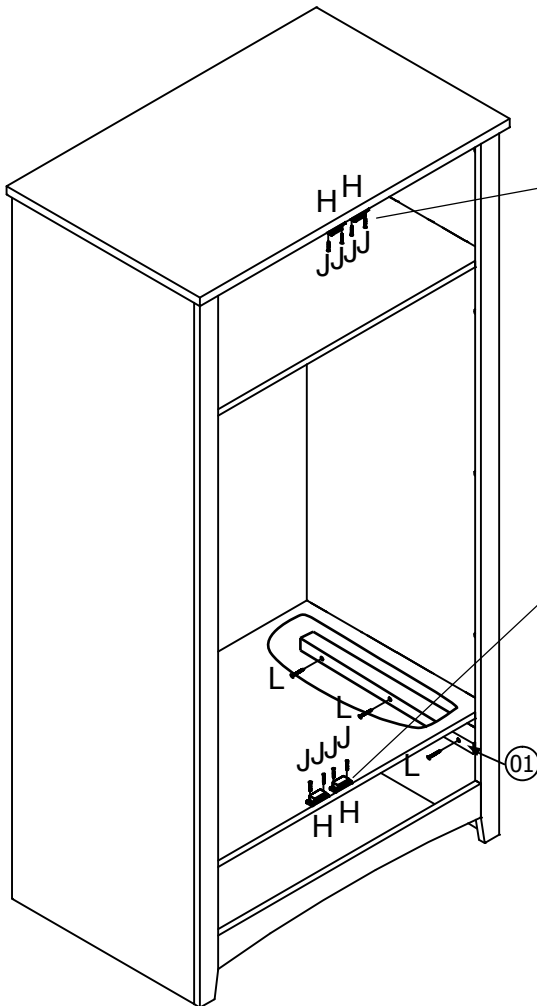
B		14
---	---	----

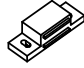

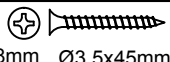
07



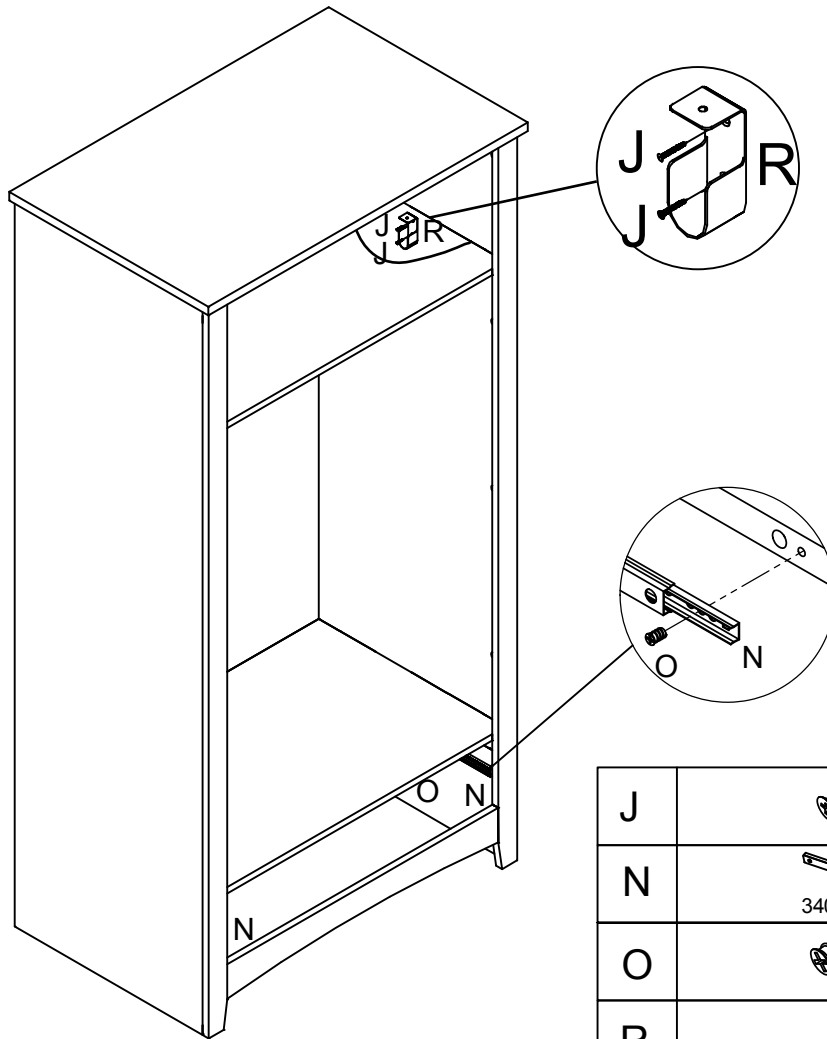
B		06
---	---	----


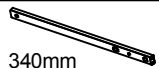


08



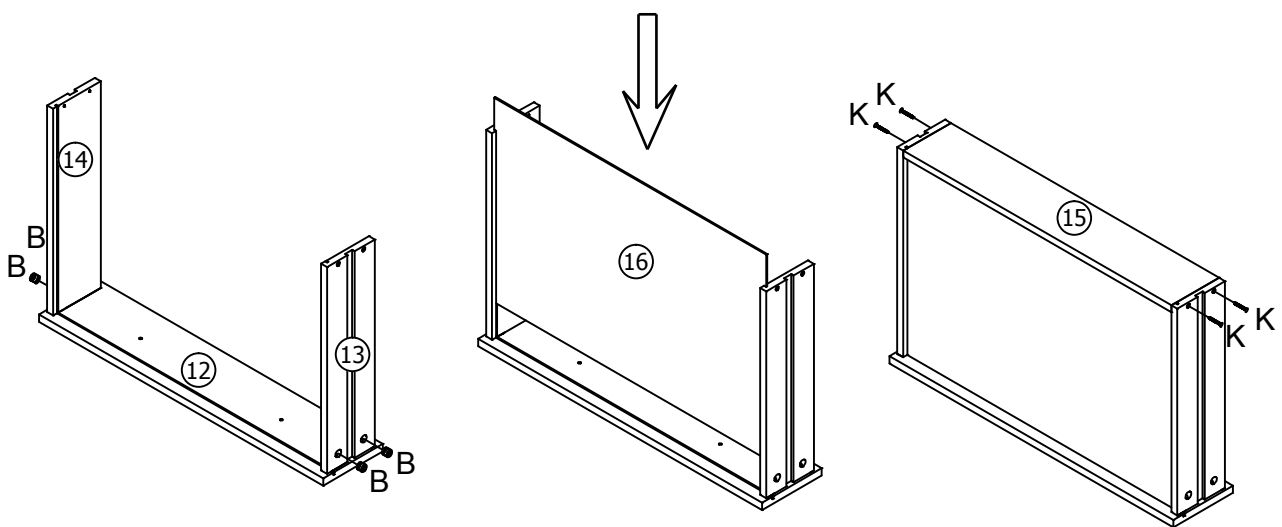
H		04
J	 Ø3x12mm	08
L	 8mm Ø3.5x45mm	06


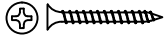
# 09



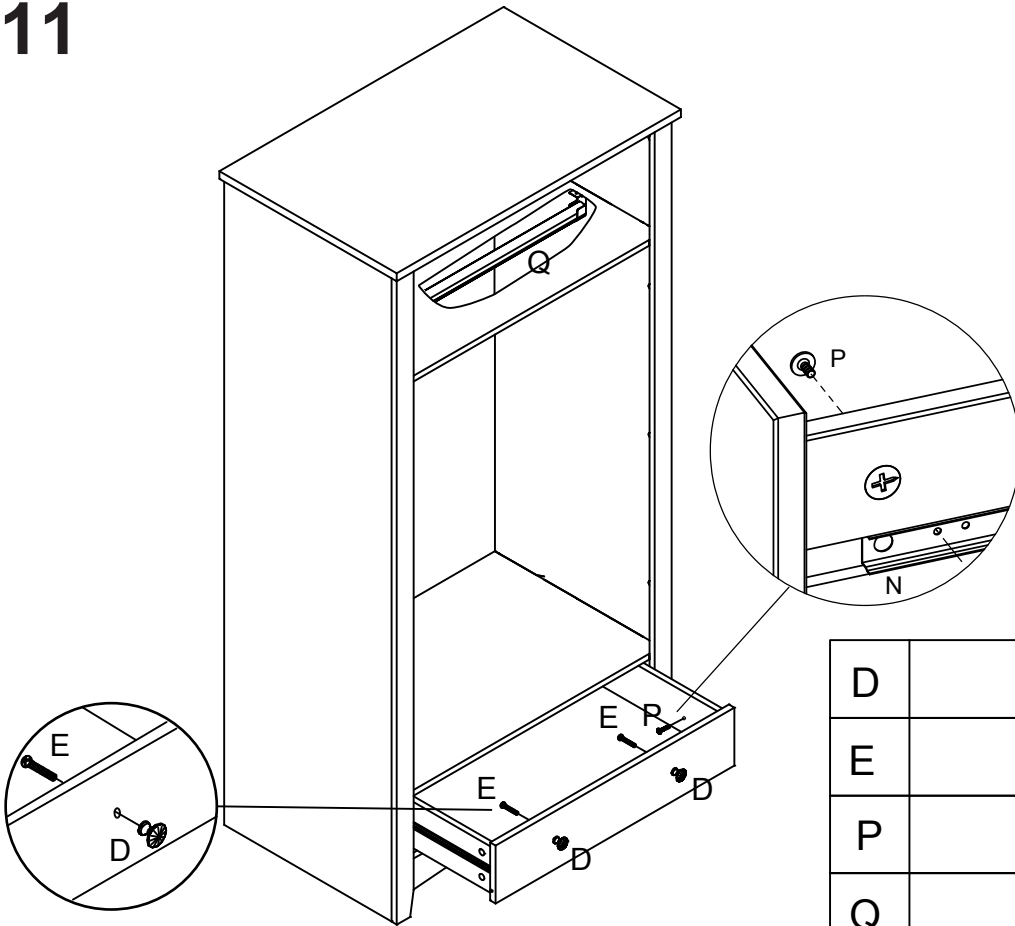
J	 Ø3x12mm	04
N	 340mm	02
O	 Ø 5.8x8mm	04
R		02


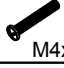


# 10



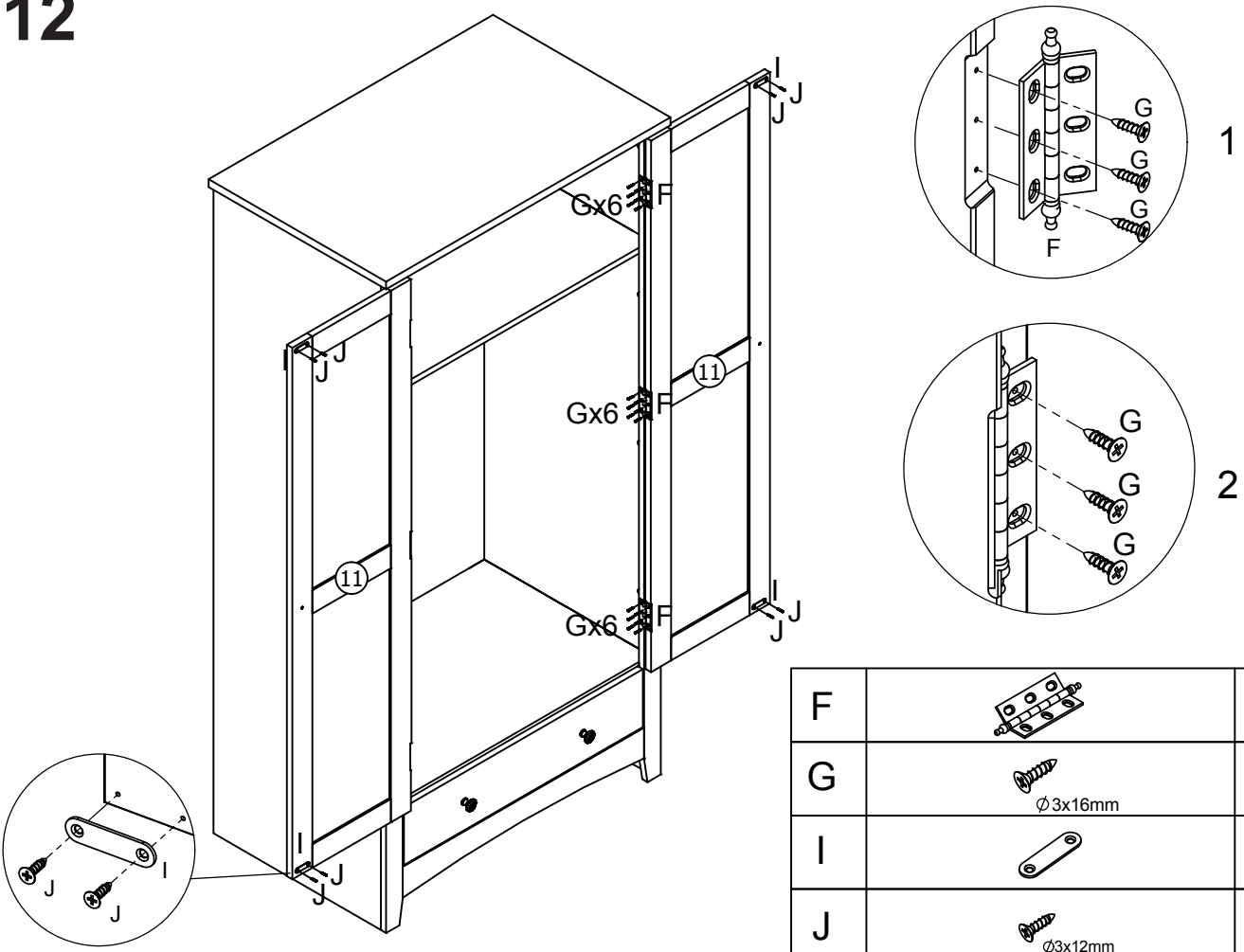
B		04
K	 Ø3.5x35mm	04

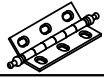



# 11



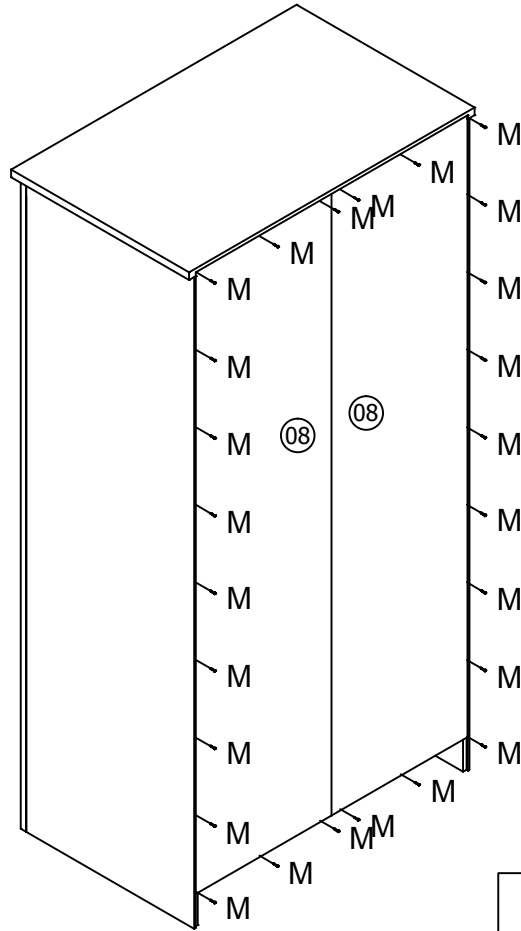
D		02
E	 M4x16mm	02
P	 M4x8mm	02
Q		01


# 12



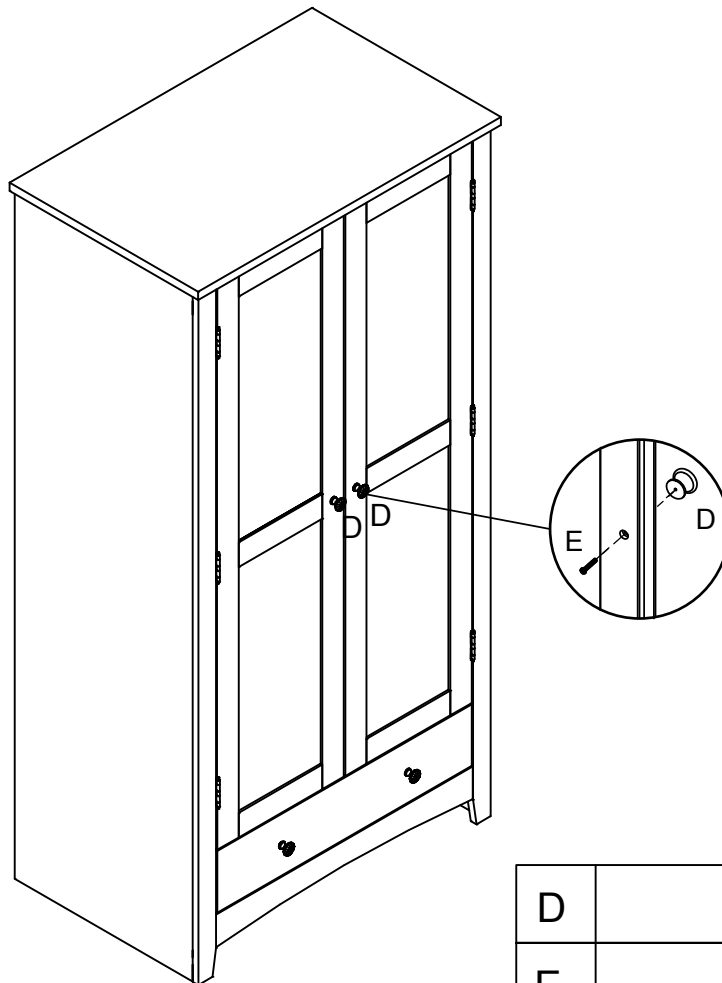
F		06
G	 Ø3x16mm	36
I		04
J	 Ø3x12mm	08



# 13



M		26
---	--	----

# 14



D		02
E	 M4x156mm	02