

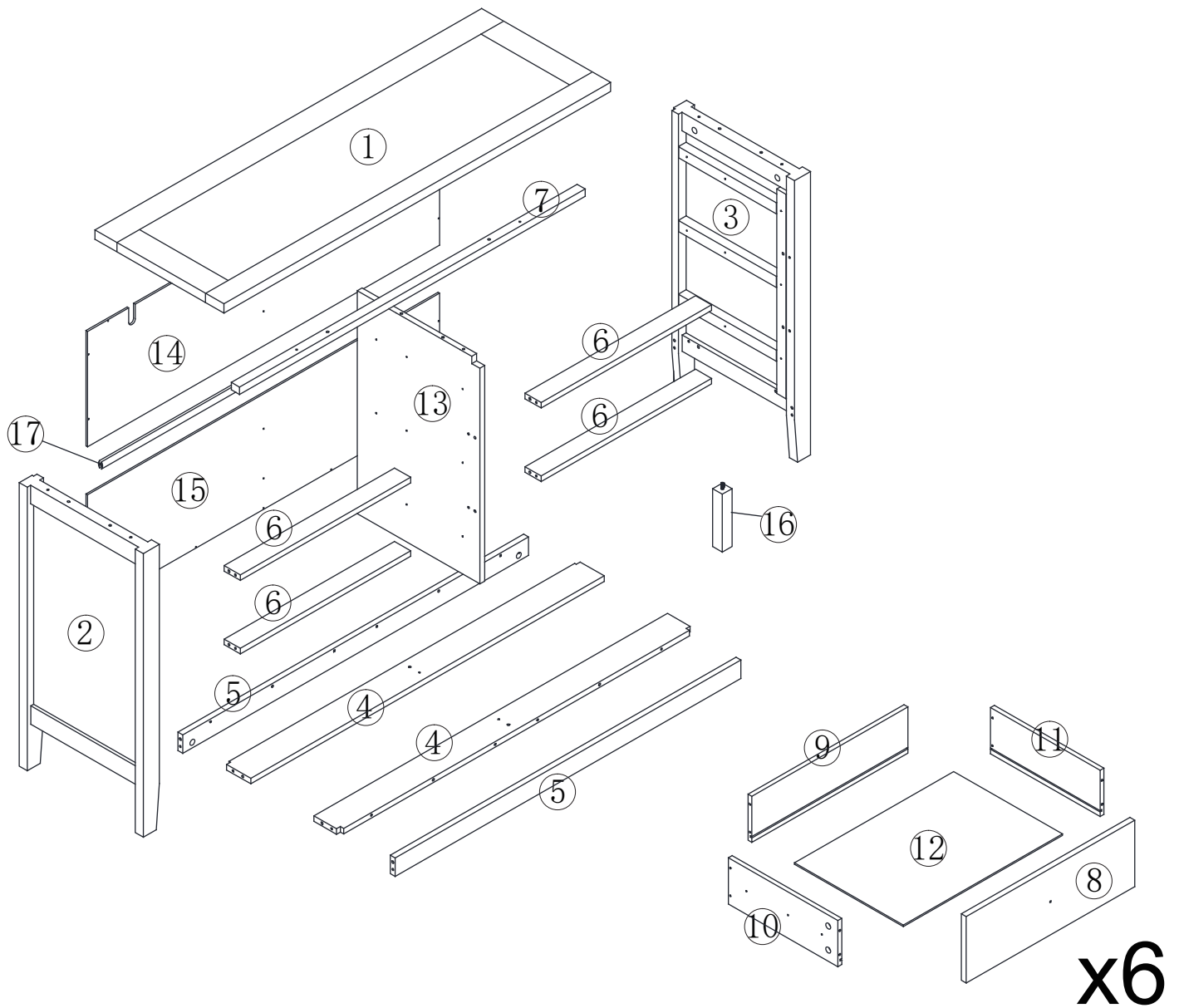
NÖA & NANI

FAMILY FURNITURE



Leines Large 6 Drawer Chest of Drawers
ASSEMBLY INSTRUCTIONS

ID23942
















Packing list

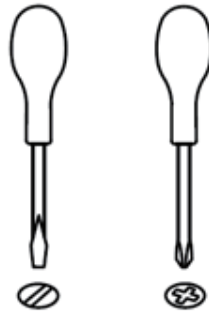
Carton A: Part 2 | 3 | 9*6 | 10*6 | 11*6 | 13 | 16 & Hardware

Carton B: Part 1 | 4*2 | 5*2 | 6*4 | 7 | 8*6 | 12*6 | 14 | 15 | 17 |

Hardware:

Part No.	Part	Quantity	Part No.	Part	Quantity
A	 6x30mm	28pcs	H	 4x16mm	6pcs
B	 6x35mm	54pcs	I	 6	6pcs
C	 15x12mm	30pcs	J	 2.5x10mm	22pcs
D	 15x9.5mm	24pcs	K	 4x25mm	2pcs
E	 3x12mm	72pcs	L	 6x20mm	2pcs
F	 4x30mm	26pcs	M	 4x12mm	2sets
G	 340mm	12pcs			

Tools Required



CAUTION: Do not use tools other than those required, as this can damage your new item.

NOTE

- Please check you have all hardware before assembling.
- If you are missing any hardware, please contact the store of purchase.
- Please ensure you have the name of the item, required hardware part and quantity.
- Please retain your receipt as proof of purchase to validate your warranty.

CAUTION

- Do not tighten screws before all screws are in the right place.
- Do not use this product unless all bolts, screws and knobs are firmly secured.
- Check that all bolts, screws and knobs are securely tightened at least every 4 months.

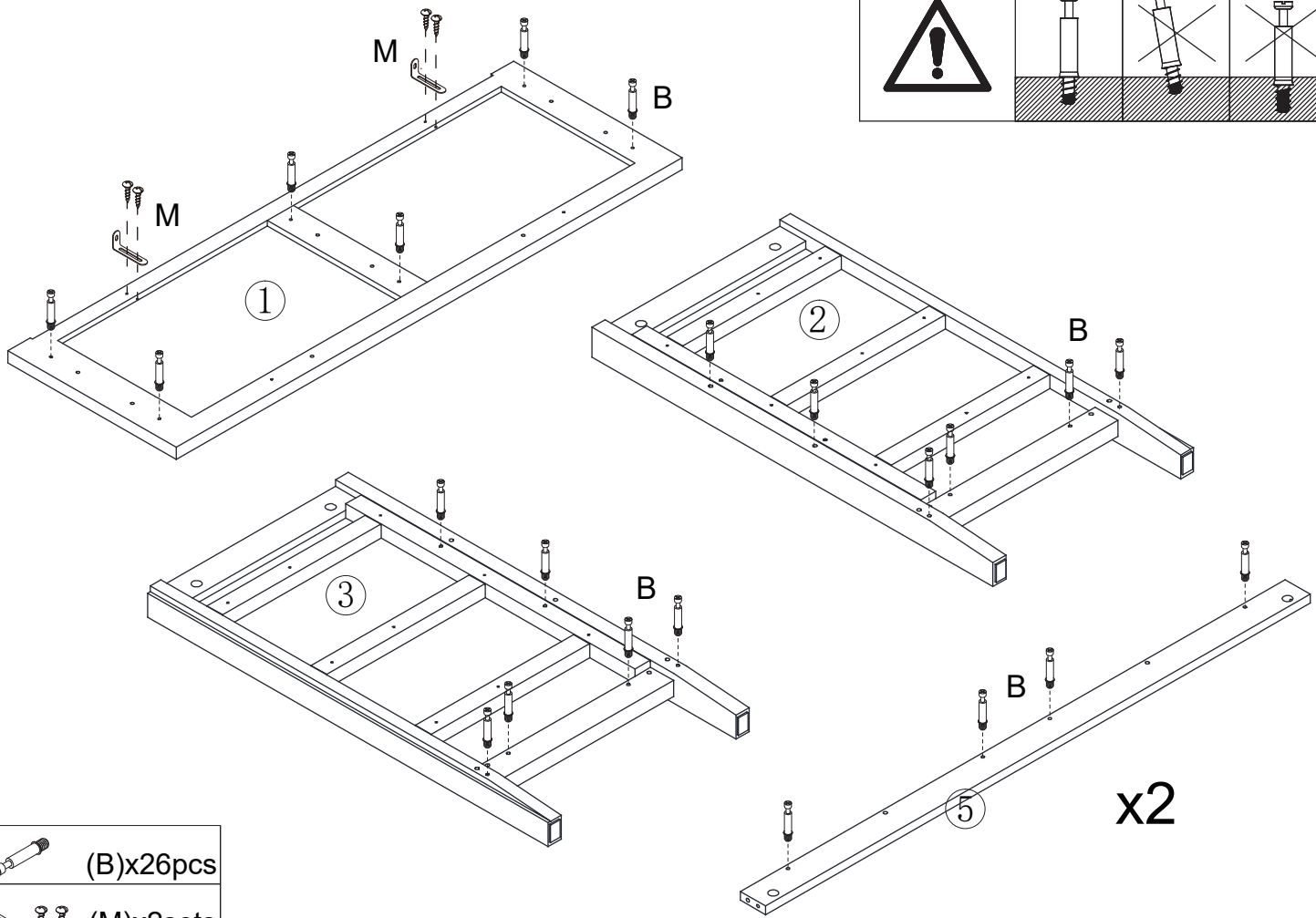
WARNING

- If parts are missing, broken, damaged or worn stop using the product until all repairs are made using manufacturer authorised parts.
- Failure to follow these warnings could result in serious injury.

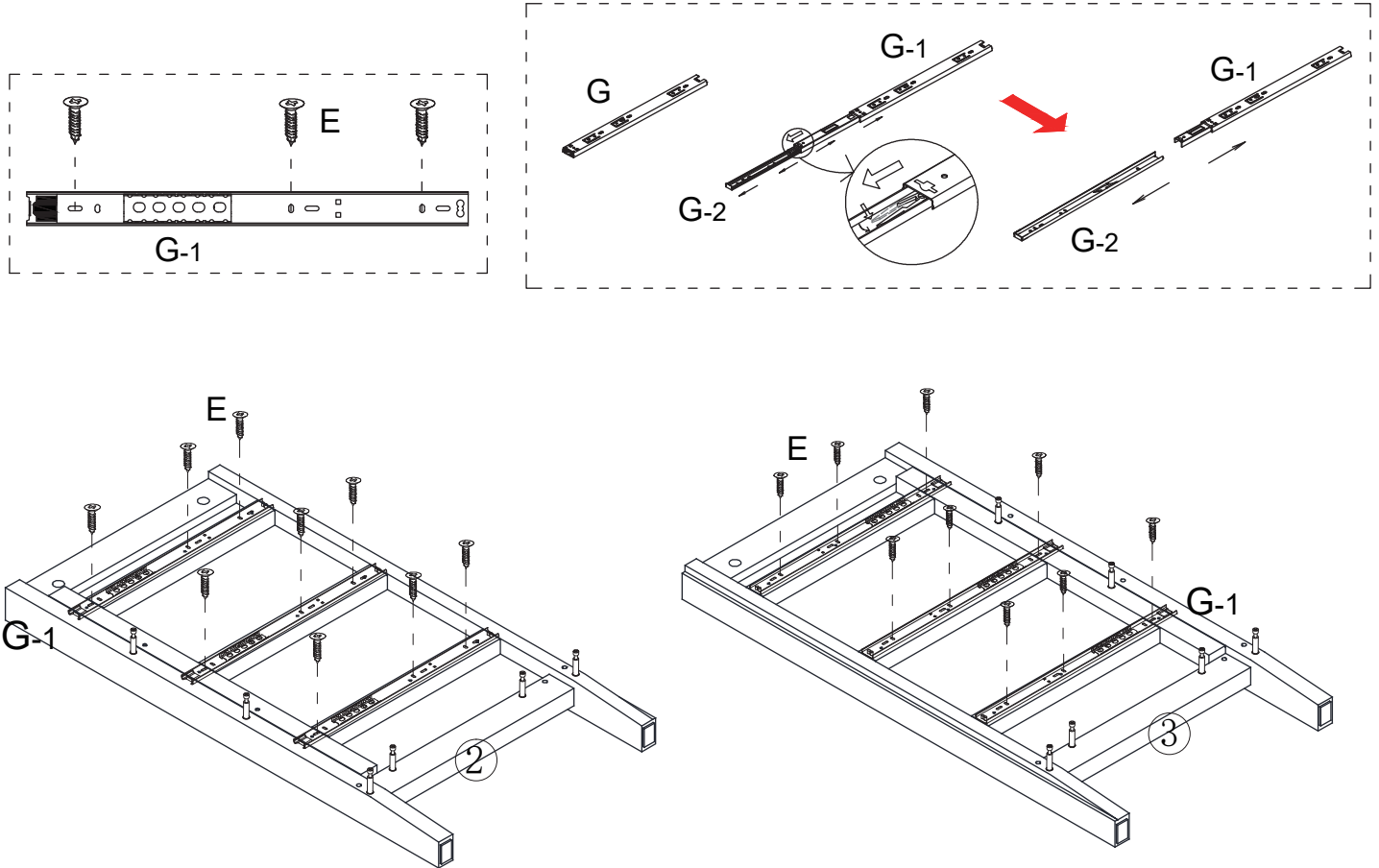
DANGER

- CHILDREN MUST BE SUPERVISED.

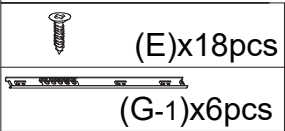
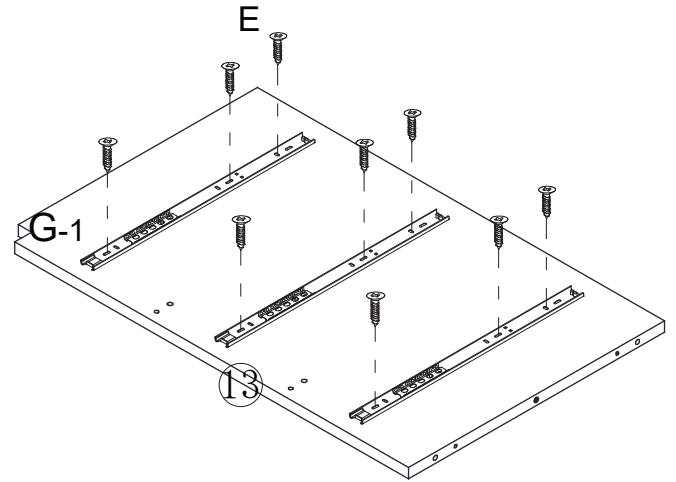
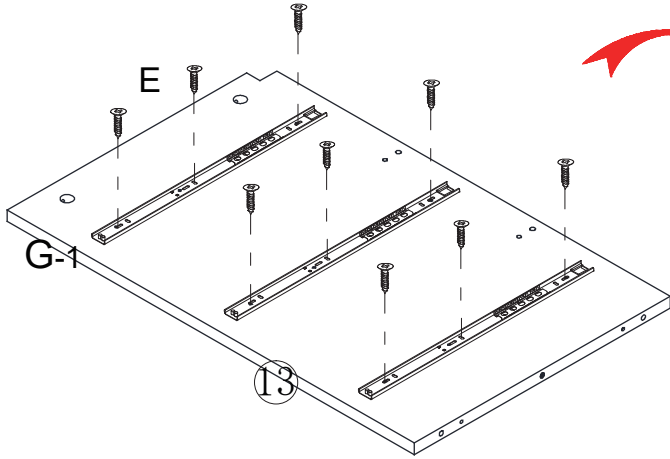
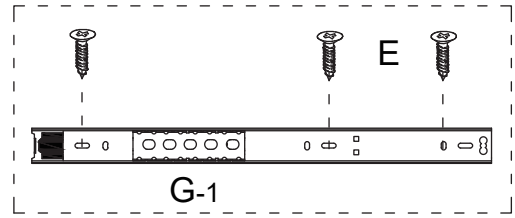
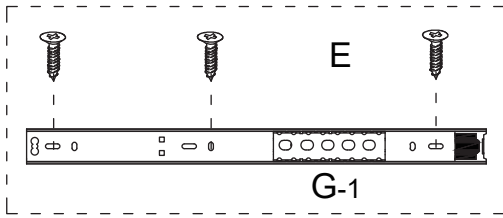
①



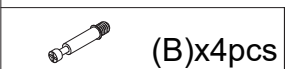
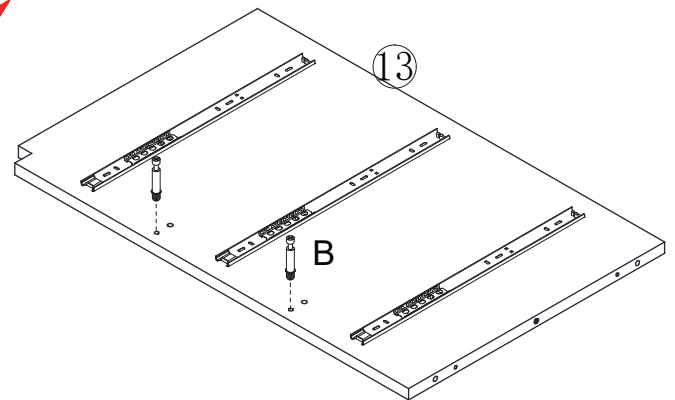
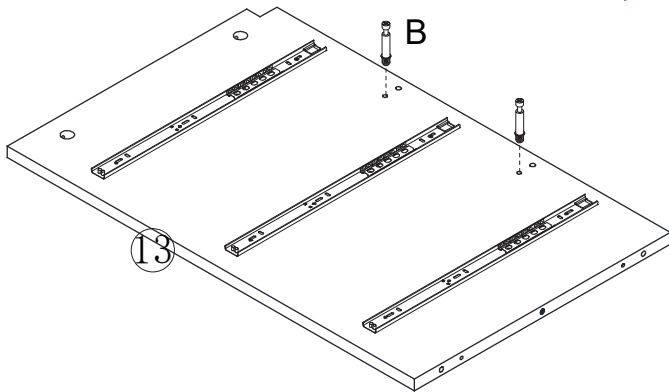
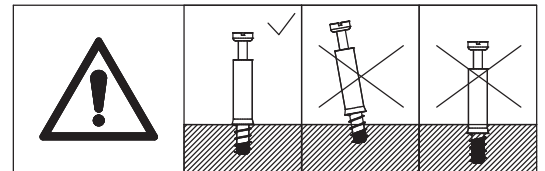
②



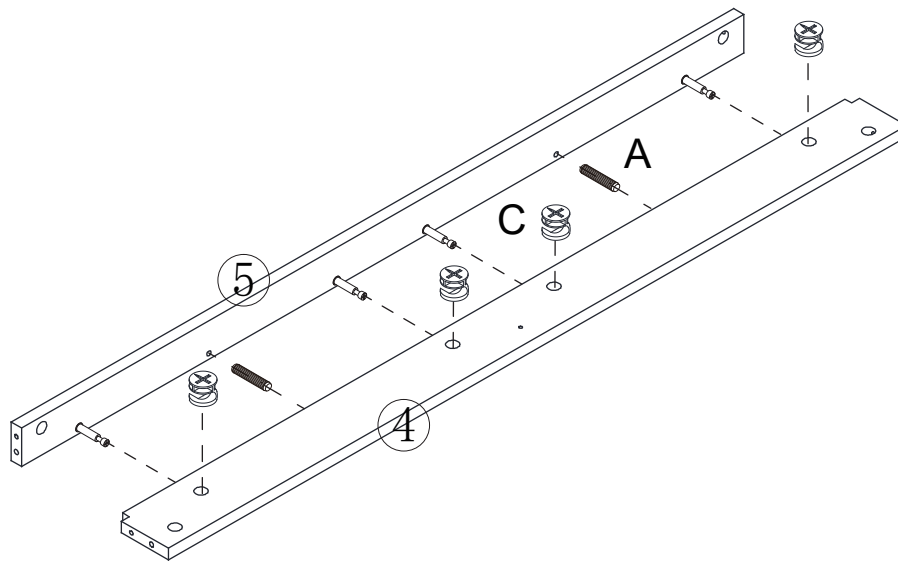
3



4



5



x2

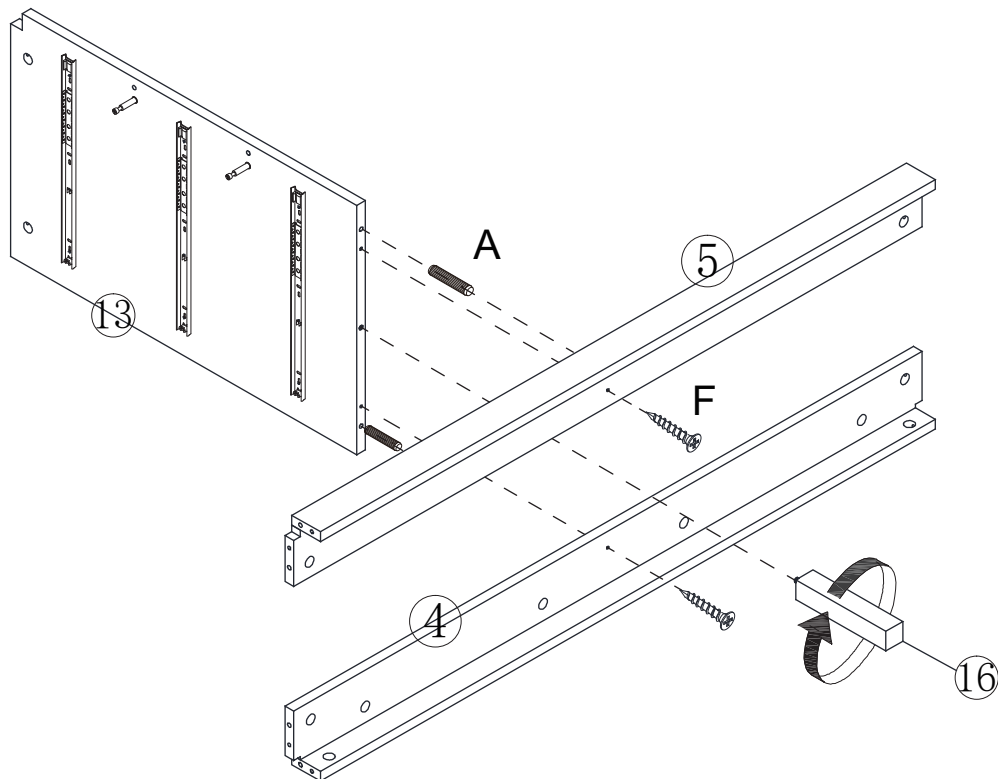


(A)x4pcs



(C)x8pcs

6

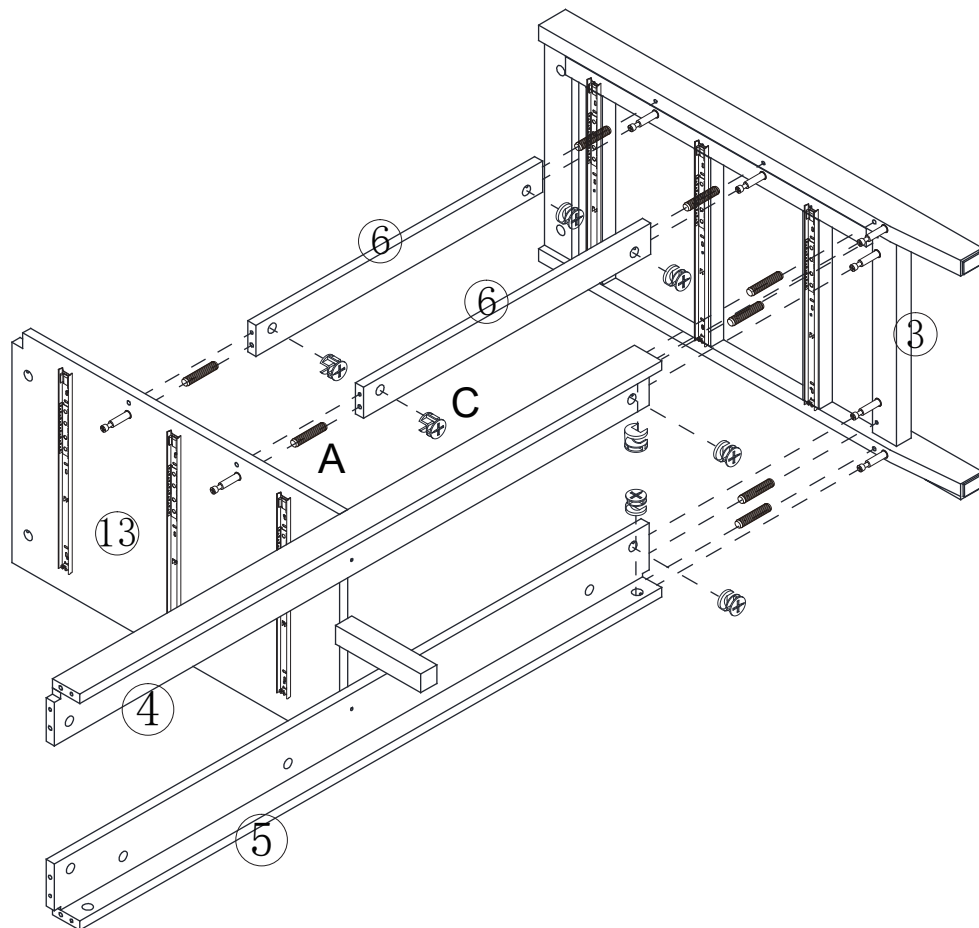


(A)x2pcs



(F)x2pcs

7

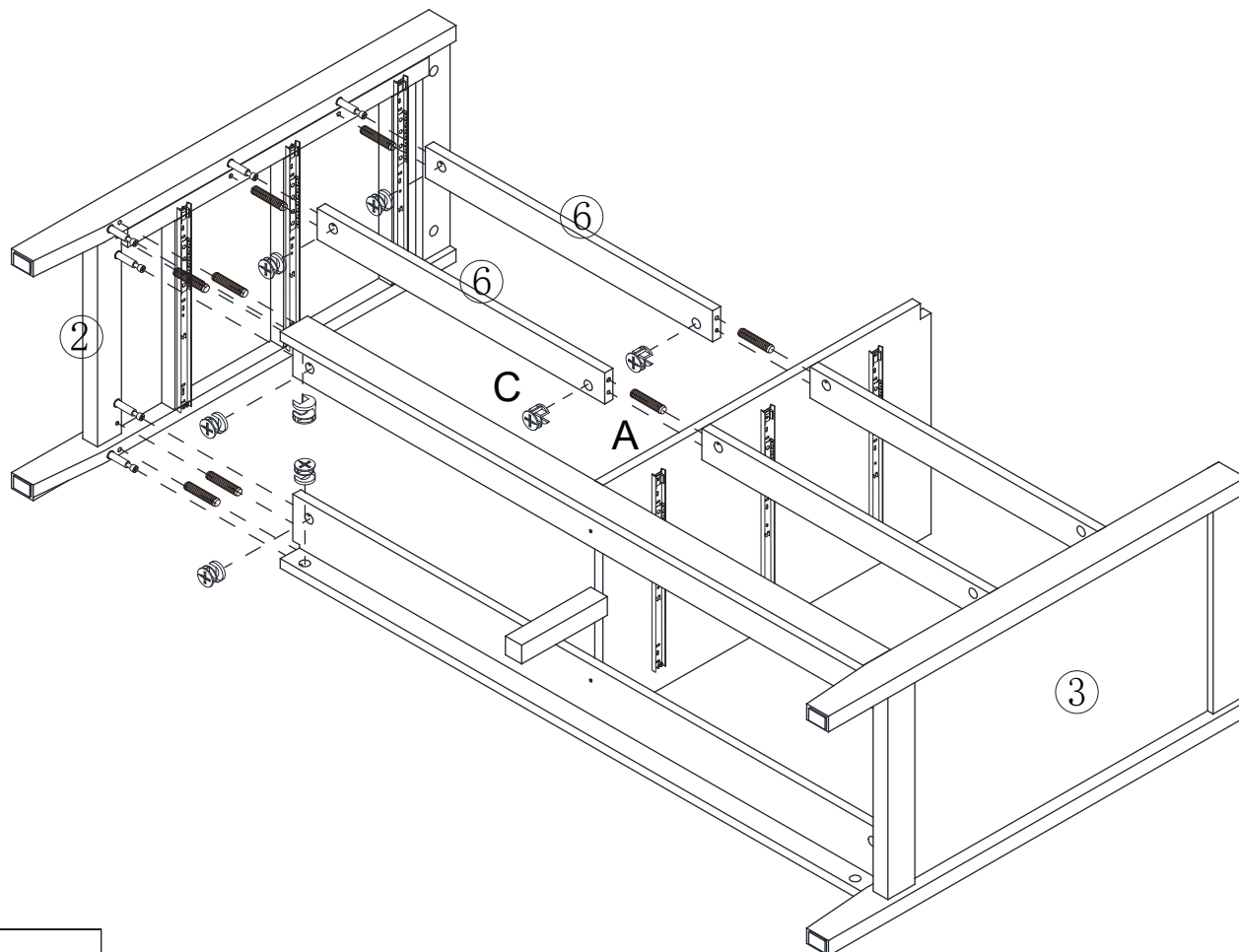


(A)x8pcs



(C)x8pcs

8

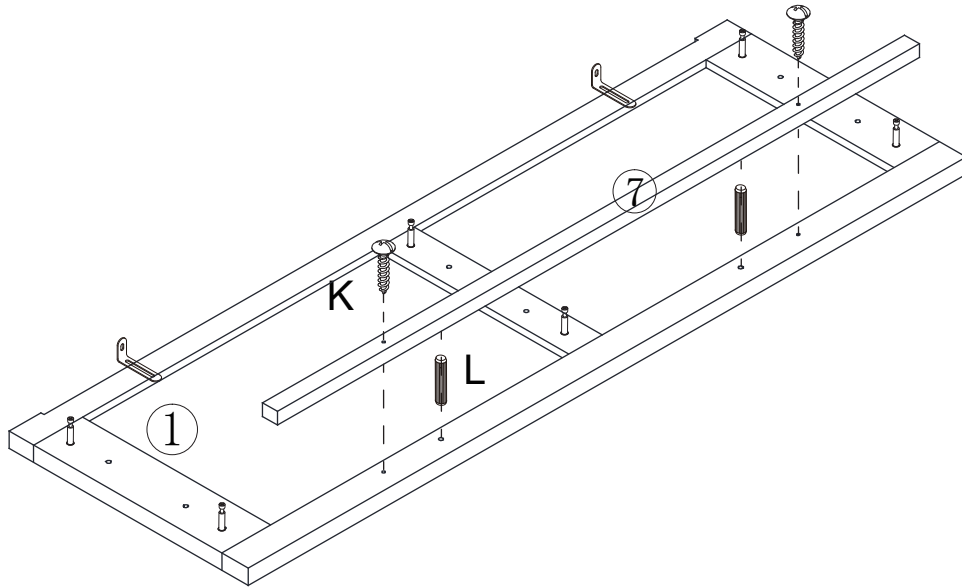


(A)x8pcs



(C)x8pcs

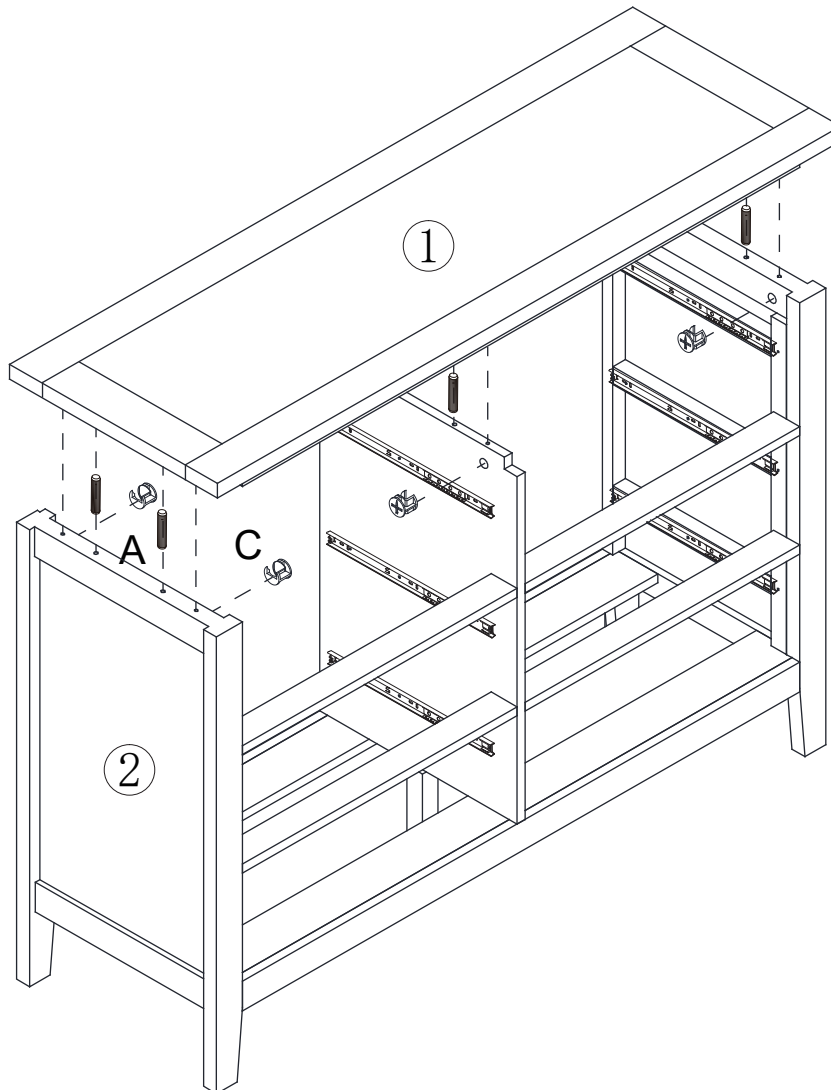
9



(L)x2pcs

(K)x2pcs

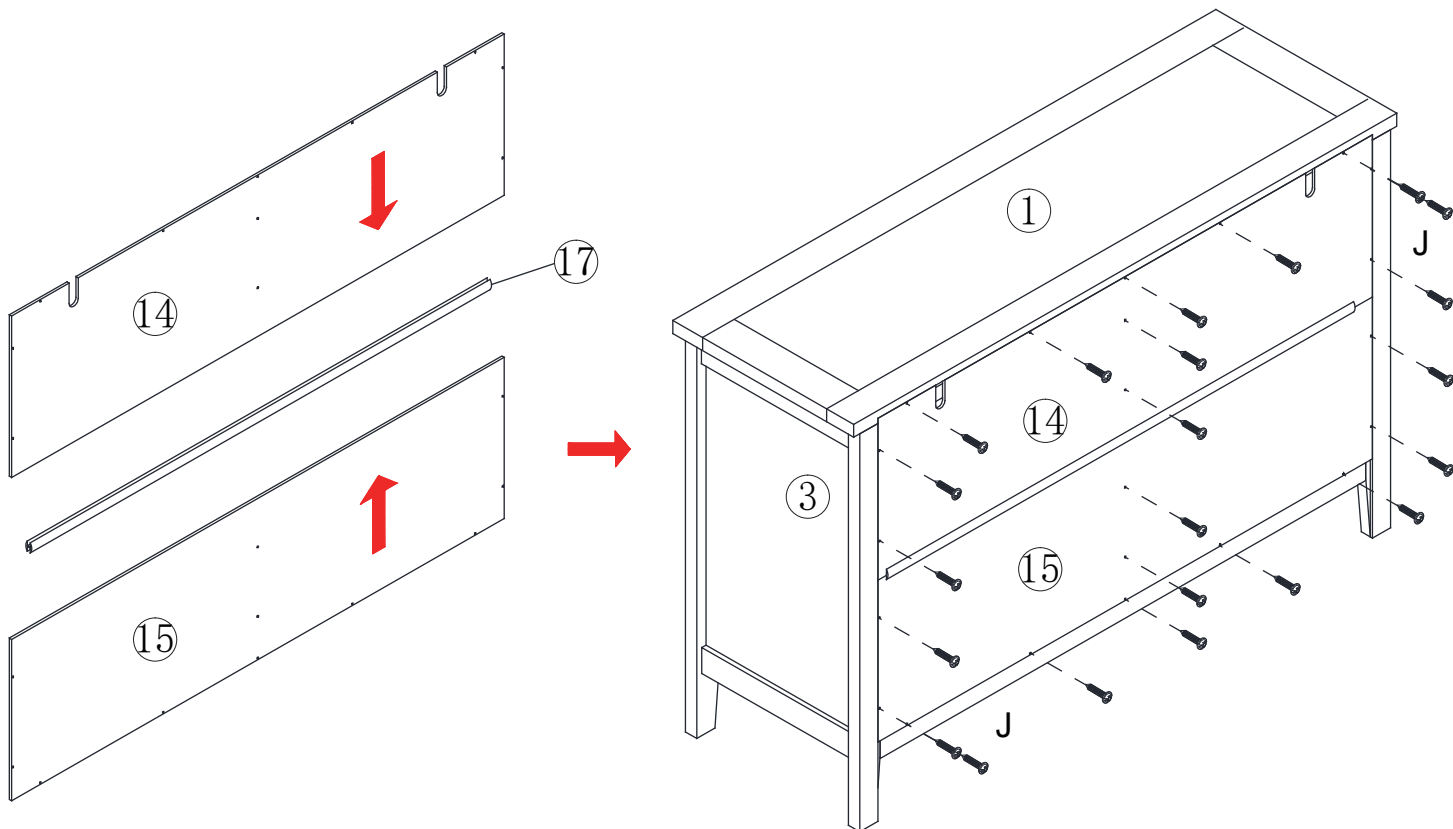
10



(A)x6pcs

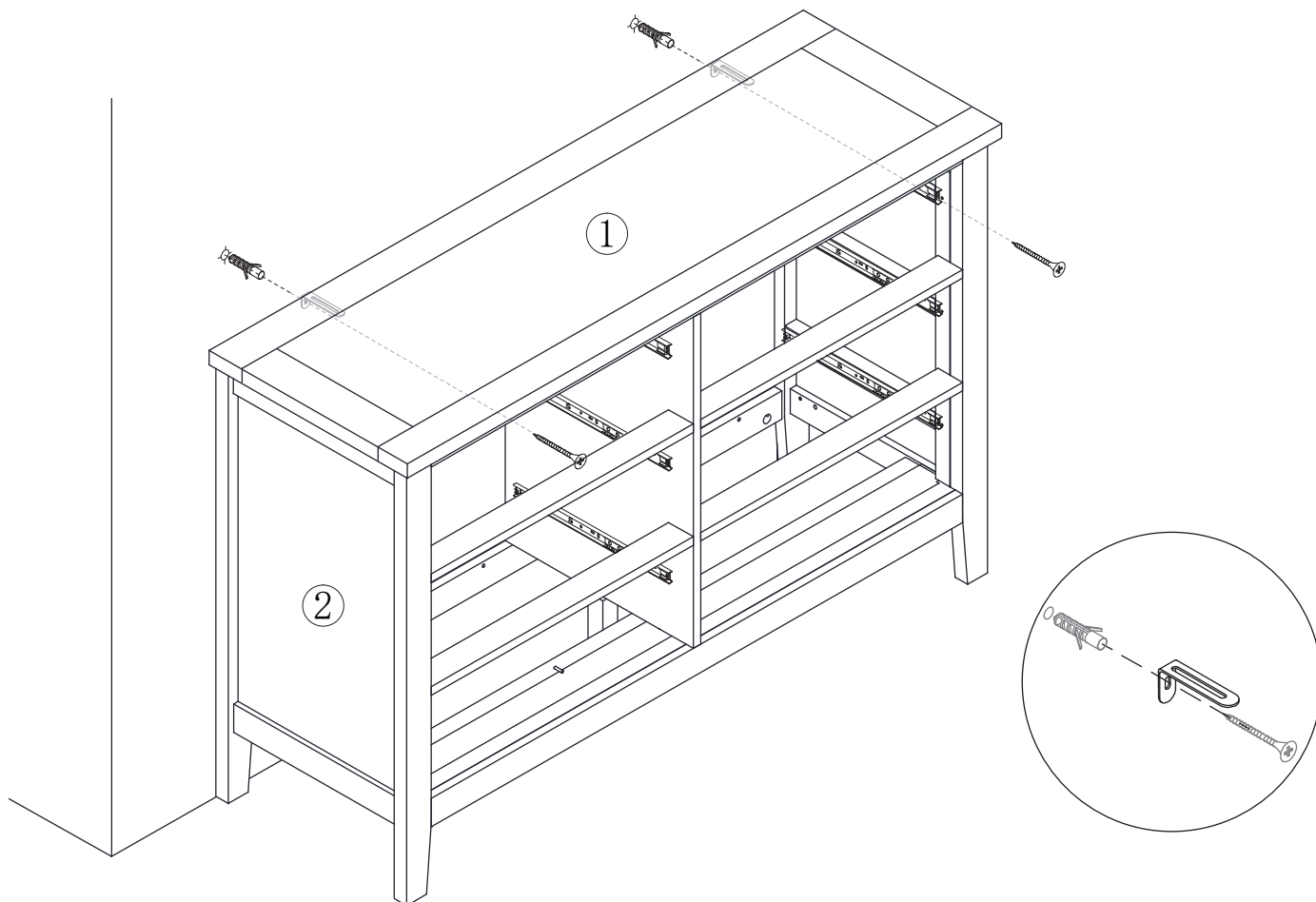
(C)x6pcs

11

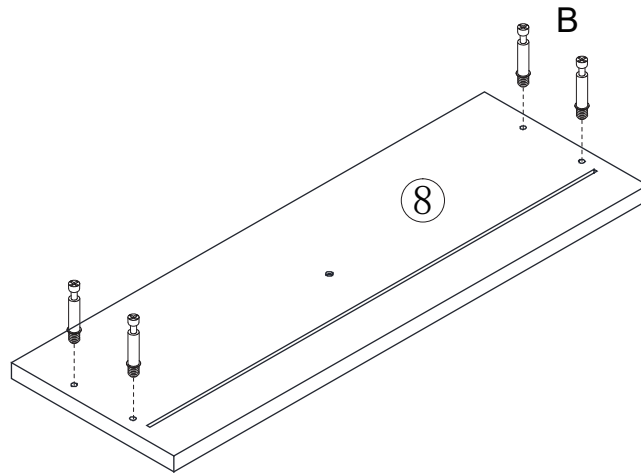
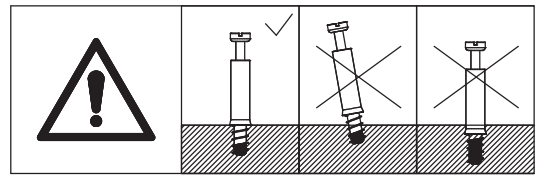


(J)x22pcs

12



13

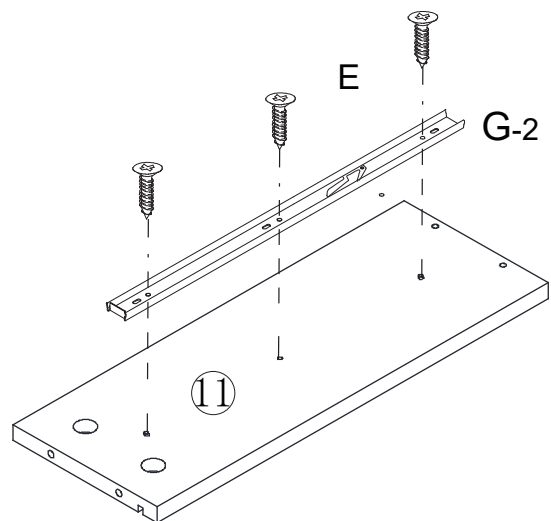
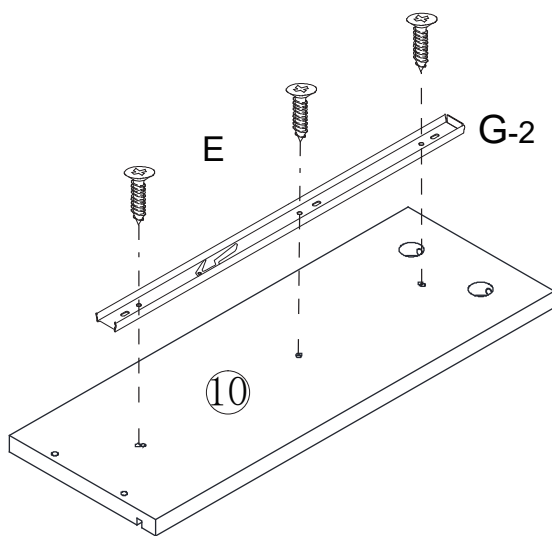
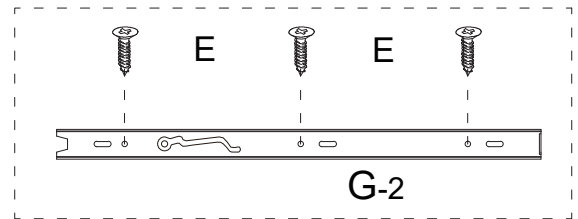


x6



(B)x24pcs

14



x6

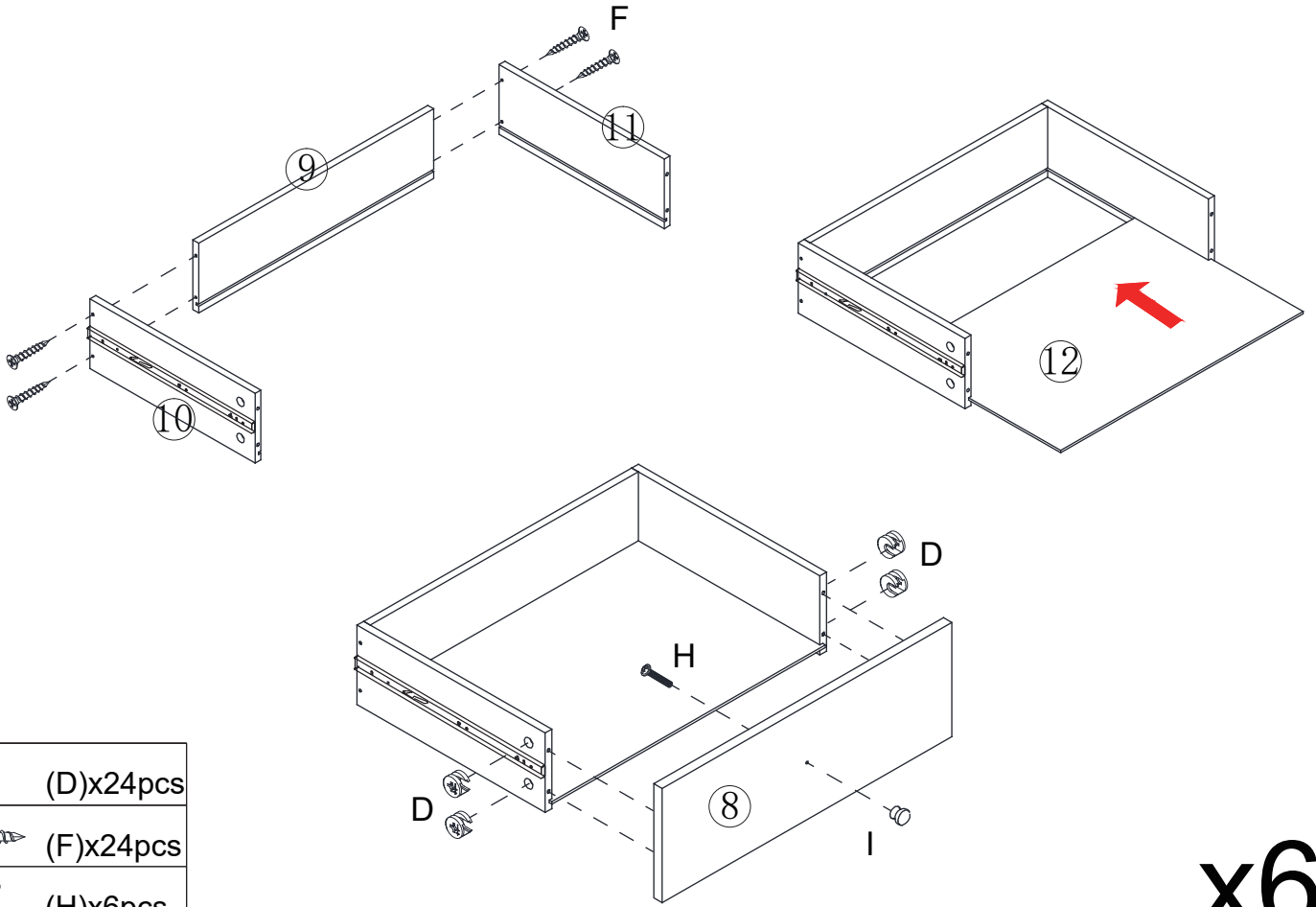



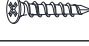


(E)x36pcs



(G-2)x12pcs

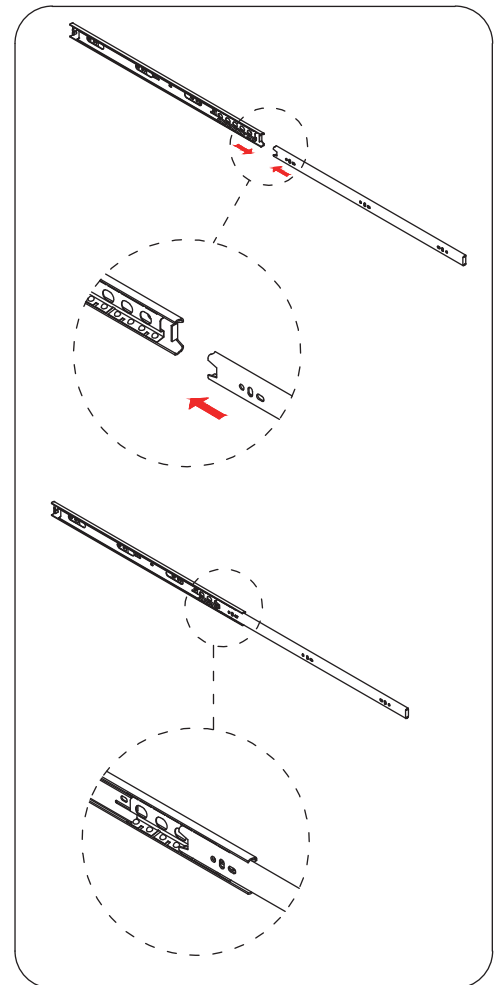
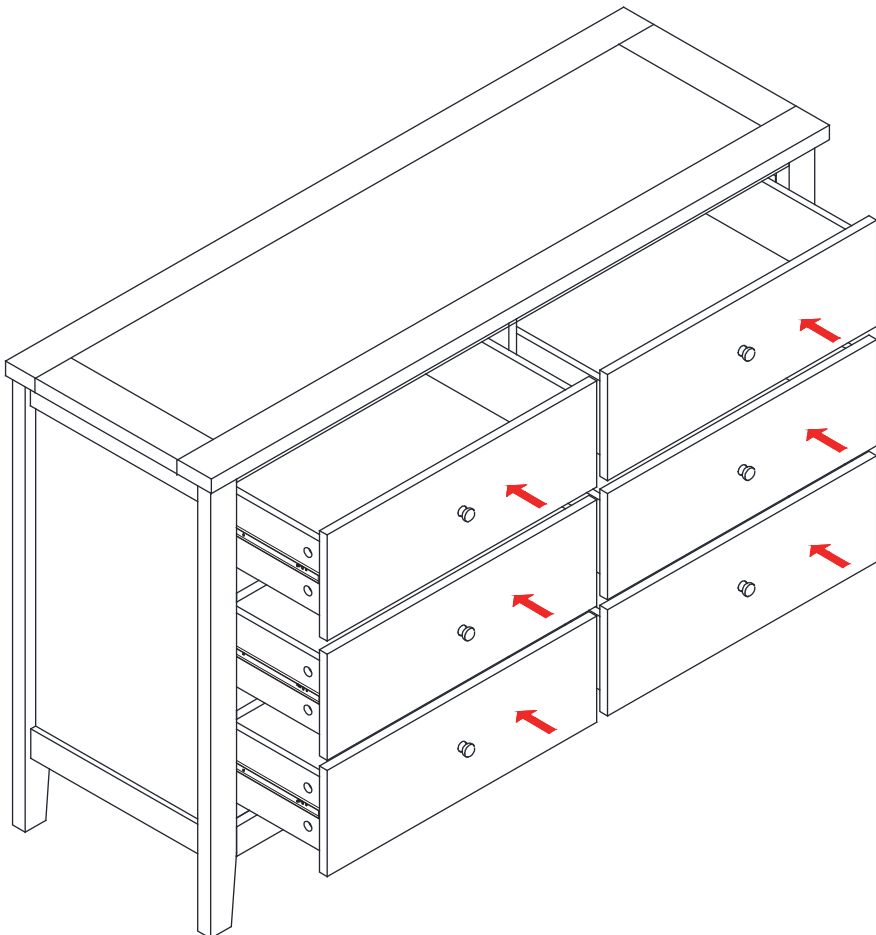
15



-  (D)x24pcs
-  (F)x24pcs
-  (H)x6pcs
-  (I)x6pcs

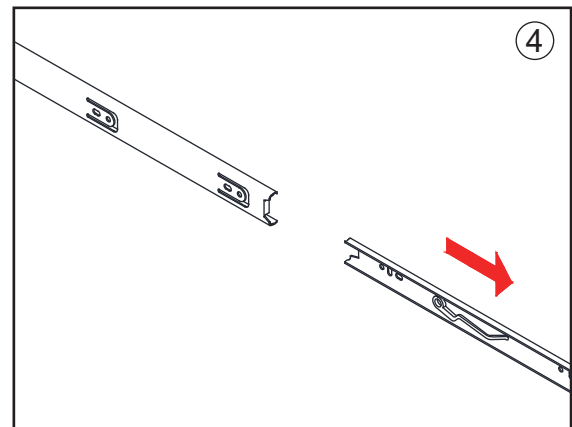
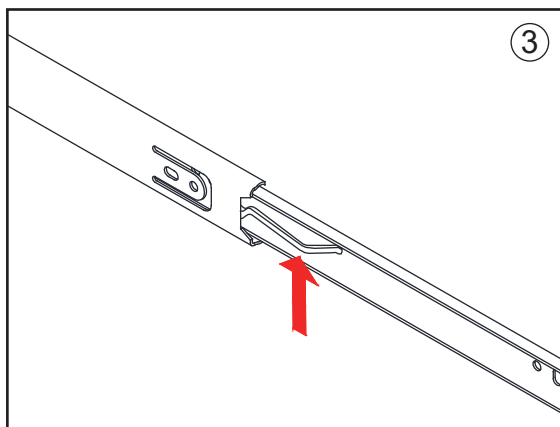
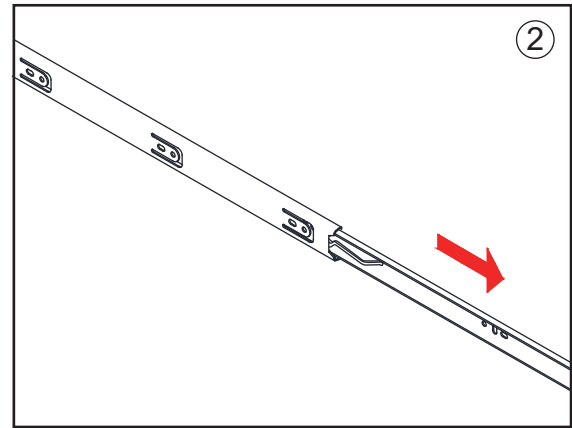
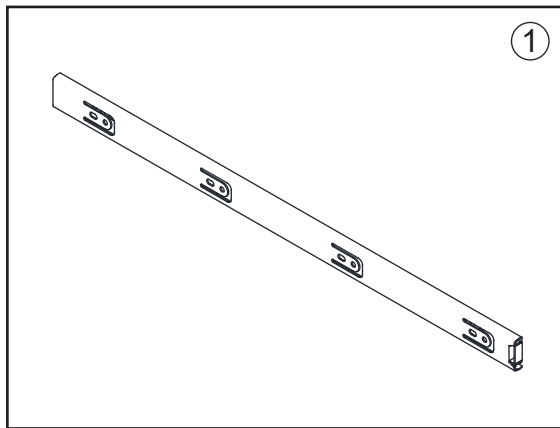
x6

16

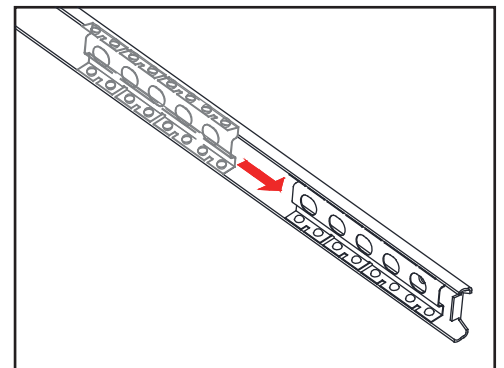
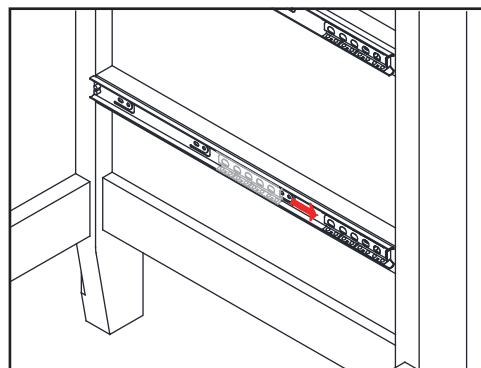


Details of Installing the Drawer

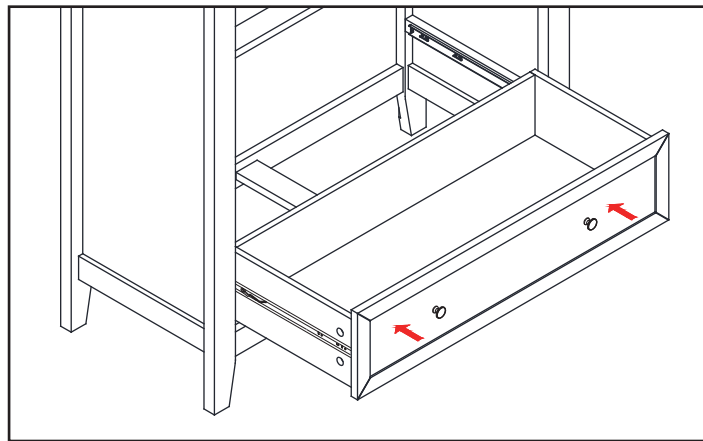
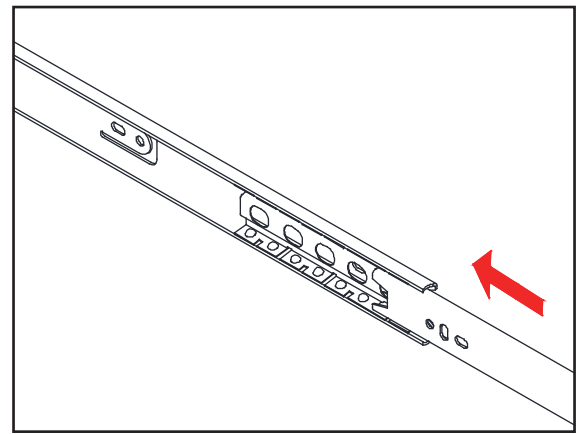
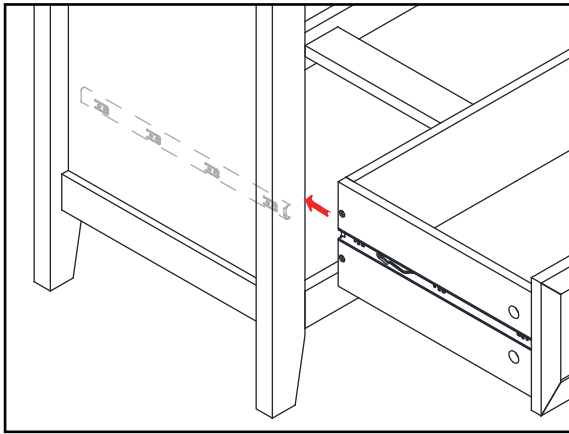
Steps for disassembly runner: move out the inside part to the end, press the plastic upward and pull out until the runner to separate.



Ensure that the runners on the cabinet are all the way to the front.

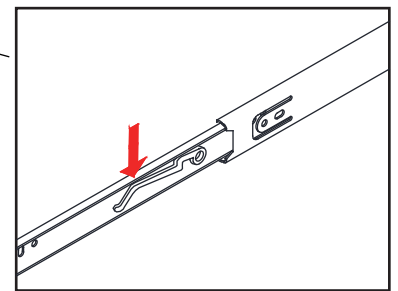
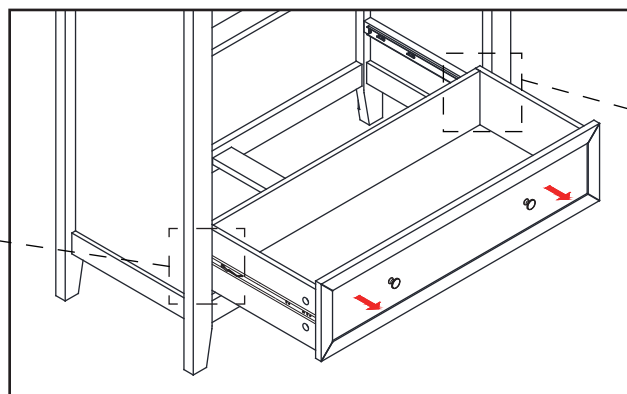
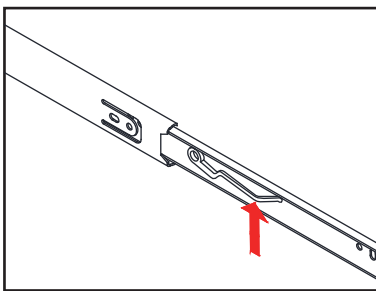


Hold the drawer horizontally and ensure the slide tracks are aligned to the runners. Push the drawer gently inwards until you hear a soft click.



WARNING: Any uneven force used, or any component is out of place upon installation of the drawer, will result in the damage of the rails.

In case of incorrect installation, gently press the plastic buttons (one side push up the other side push down) to detach the slide track and pull out the drawer.



IMPORTANT - READ CAREFULLY - RETAIN FOR FUTURE REFERENCE

Safety Information

All assembly fixings should be tightened properly and care should be taken that no fittings are loose. Regular tightening of the bolts is recommended to extend the lifespan of the product. Please follow all the instructions when assembling the product and do not use power tools when building.

Warning: The product should not be used if any structural part is broken or missing. If any part is missing or broken report it and we will replace, do not attempt to fix the item or purchase additional parts not included with the product; this will invalidate the warranty.

Return Information

If you have any problems with the item just email us at info@noaandnani.co.uk and we can resolve it for you, our technical team will be able to assist in helping. If you have any parts that are damaged we can replace them for you. If you do need to return the item for some reason just email and request an RMA number.

Assembly Information

We understand that self assembly furniture can be a pain but we try and make it as easy as possible for anyone to build, if you have found a problem with the assembly of the product or with the assembly instructions or you have comments on how we would improve them, we would love to hear from you. Just contact us either by email at productadvice@noaandnani.co.uk or via Live Chat on our website noaandnani.co.uk

Related Items

We have a matching range of items that compliment this product, just head to noaandnani.co.uk for the full selection.

NÖA & NANI
FAMILY FURNITURE



noaandnani.co.uk