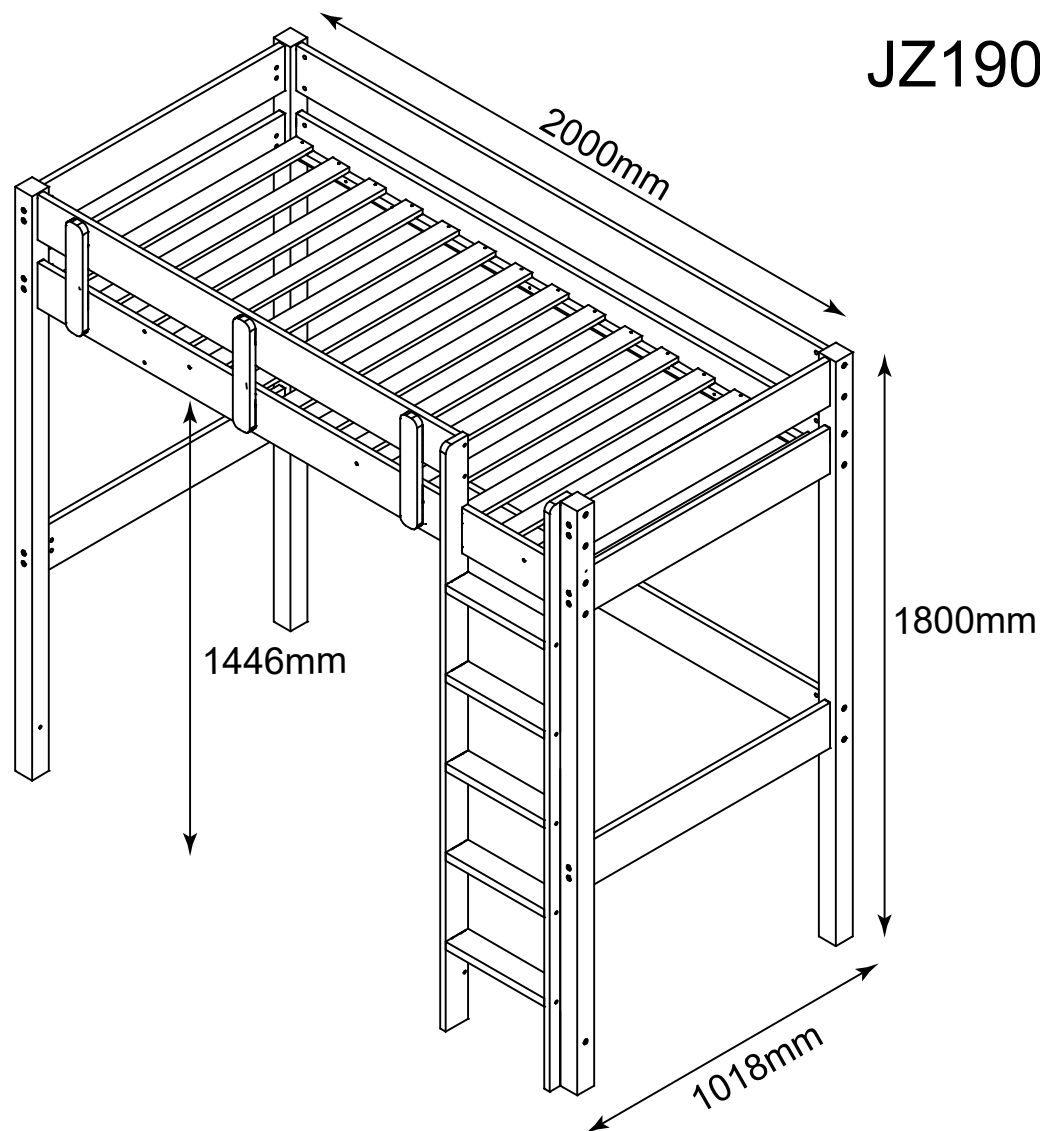
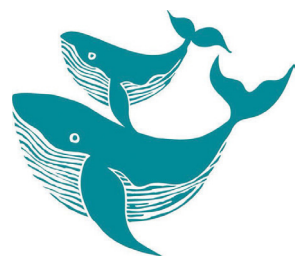


JZ19013

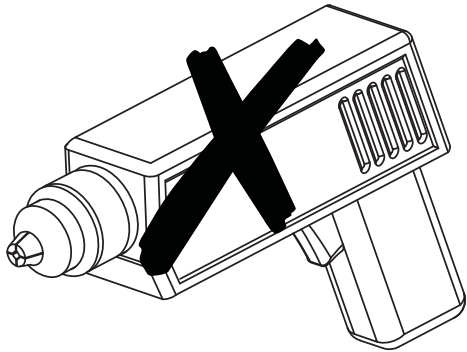


**NÖA & NANI**

FAMILY FURNITURE

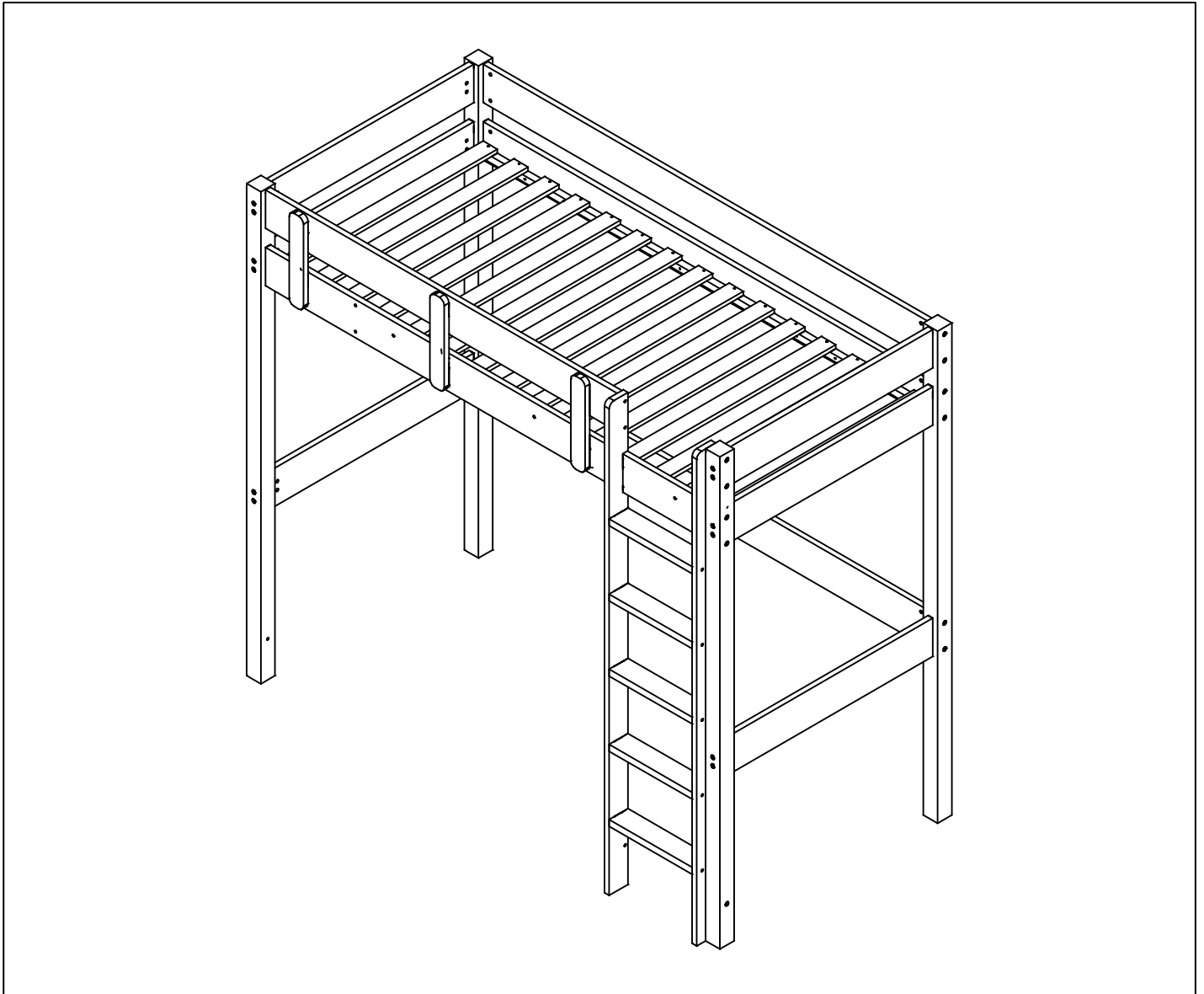


**UNA HIGH SLEEPER BED  
ASSEMBLY INSTRUCTIONS**

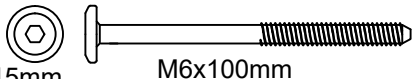
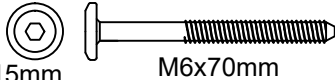

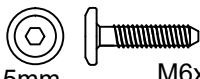
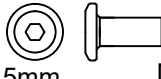
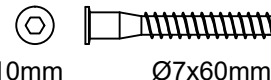




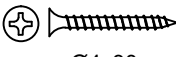
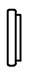

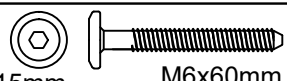
# **WARNING!**

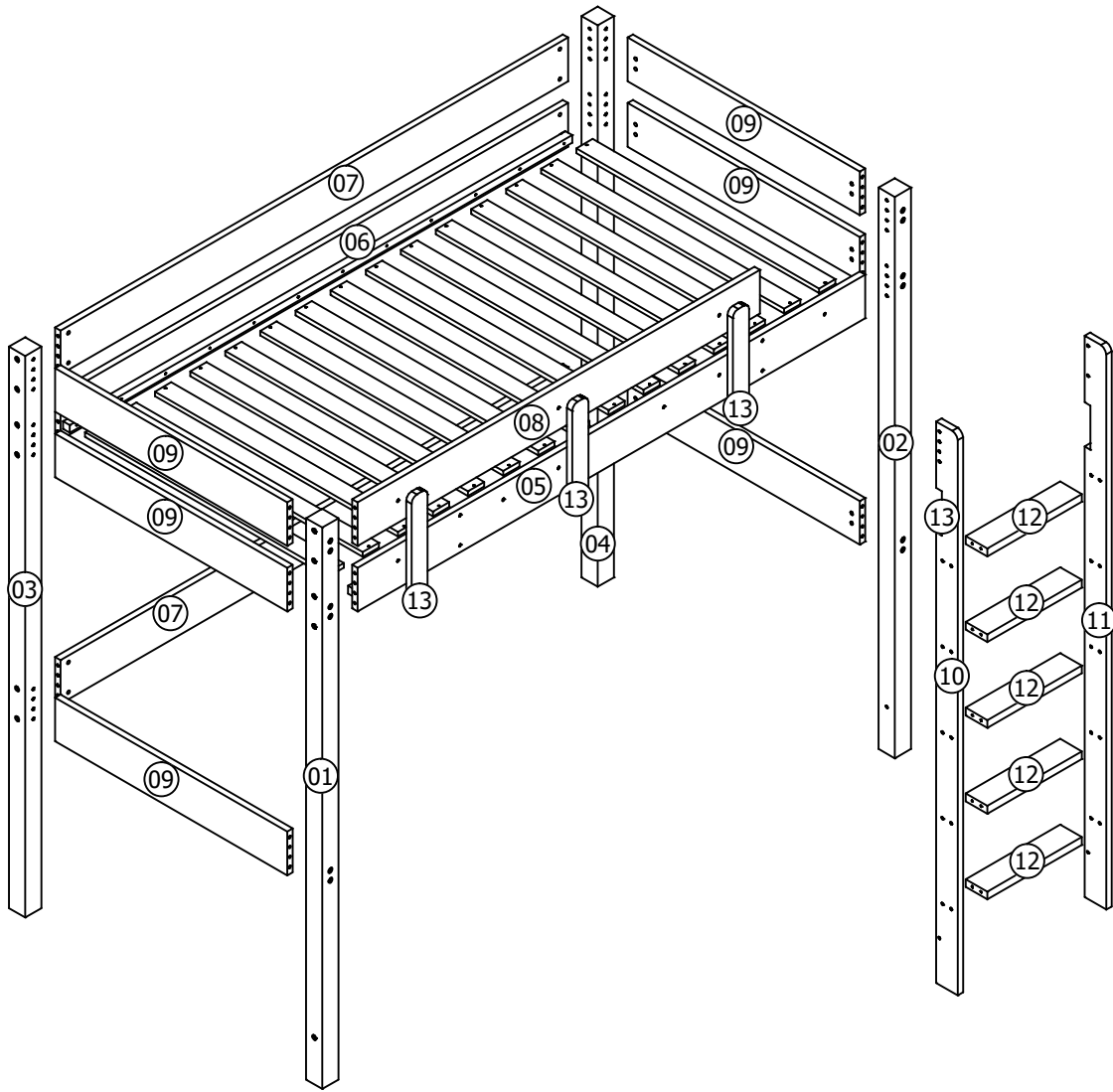
To avoid damage to the product please do not use powertools to assemble this item!!!



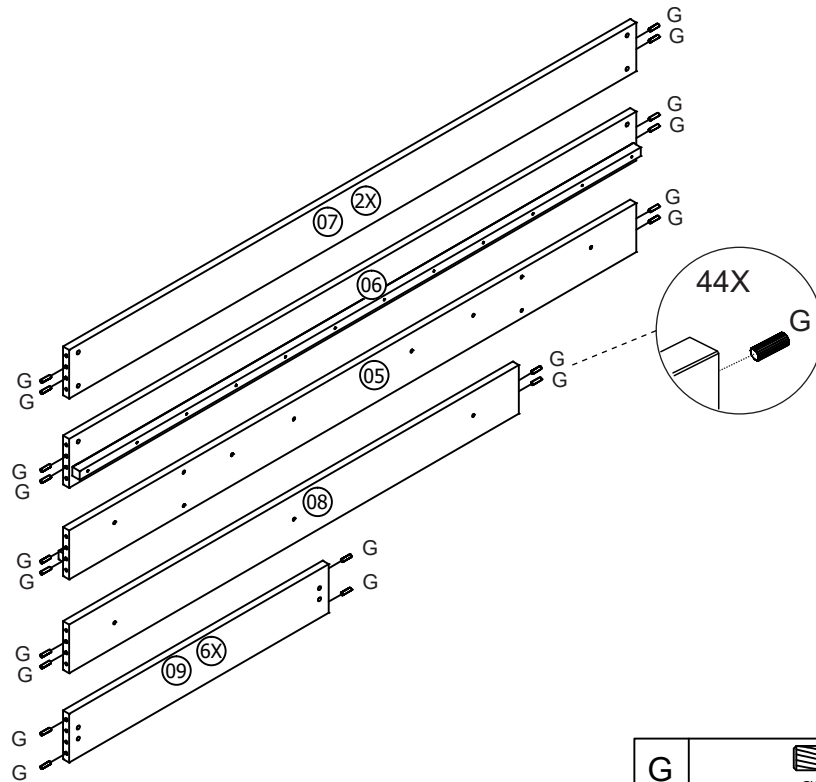
# HARDWARE


A	 15mm M6x100mm	42
B	 15mm M6x70mm	02
C	 Ø10x13mm	44
D	 15mm M6x35mm	08
E	 15mm M8x20mm	03
F	 10mm Ø7x60mm	20

G	 Ø8x30mm	44
H	 4mm	02
I	 8mm Ø4x30mm	30
J	 Ø8mm	08
K	 Ø15mm	46
L	 15mm M6x60mm	03

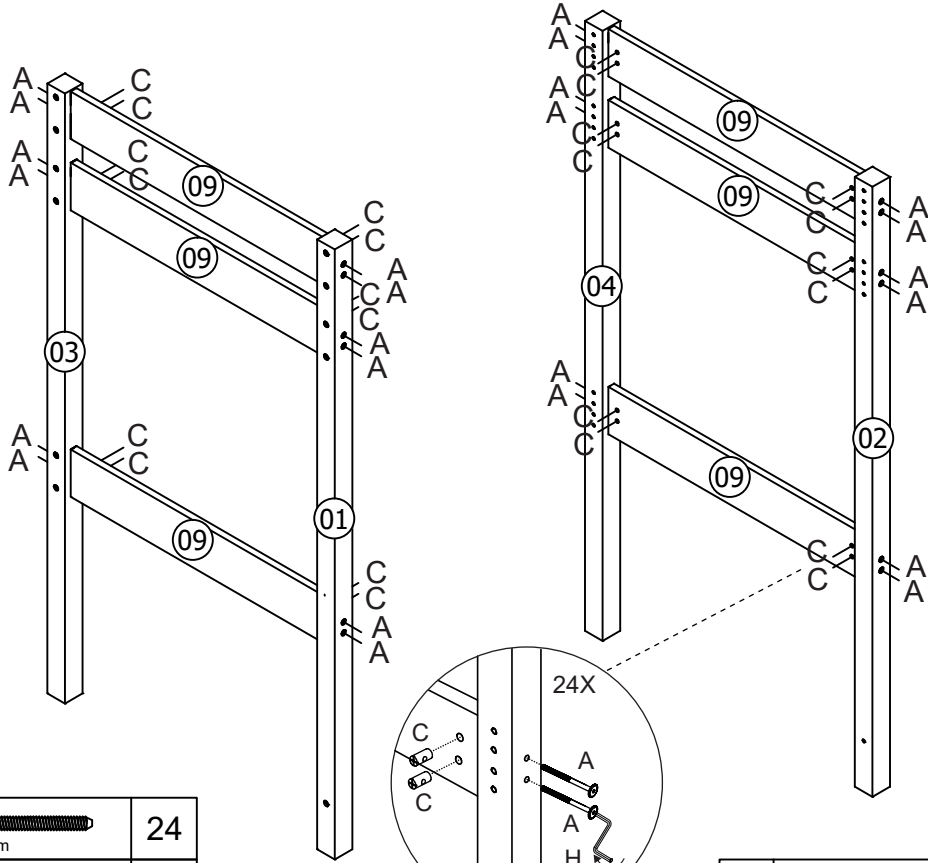




# 01



G	 Ø8x30mm	44
---	--	----

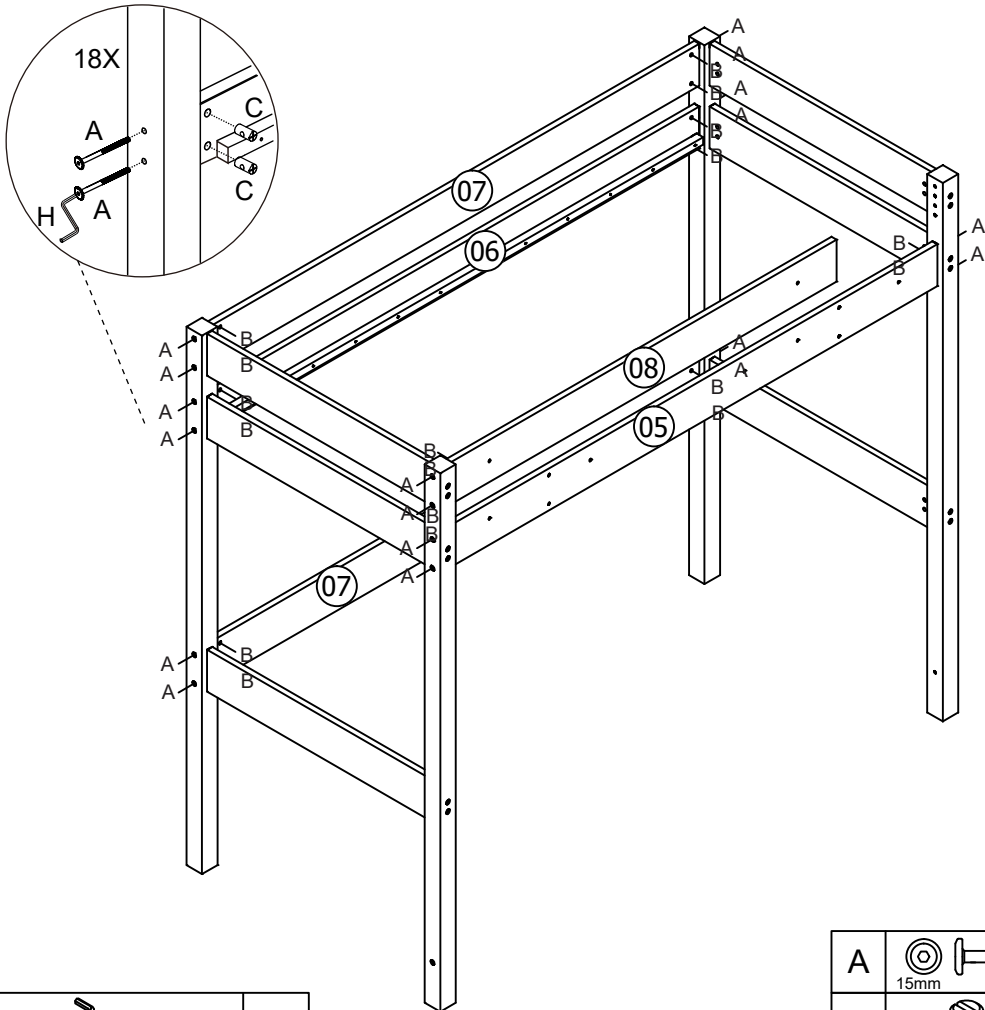
# 02





A	 15mm M6x90mm	24
C	 Ø10x13mm	24

H	 4mm	01
---	--	----

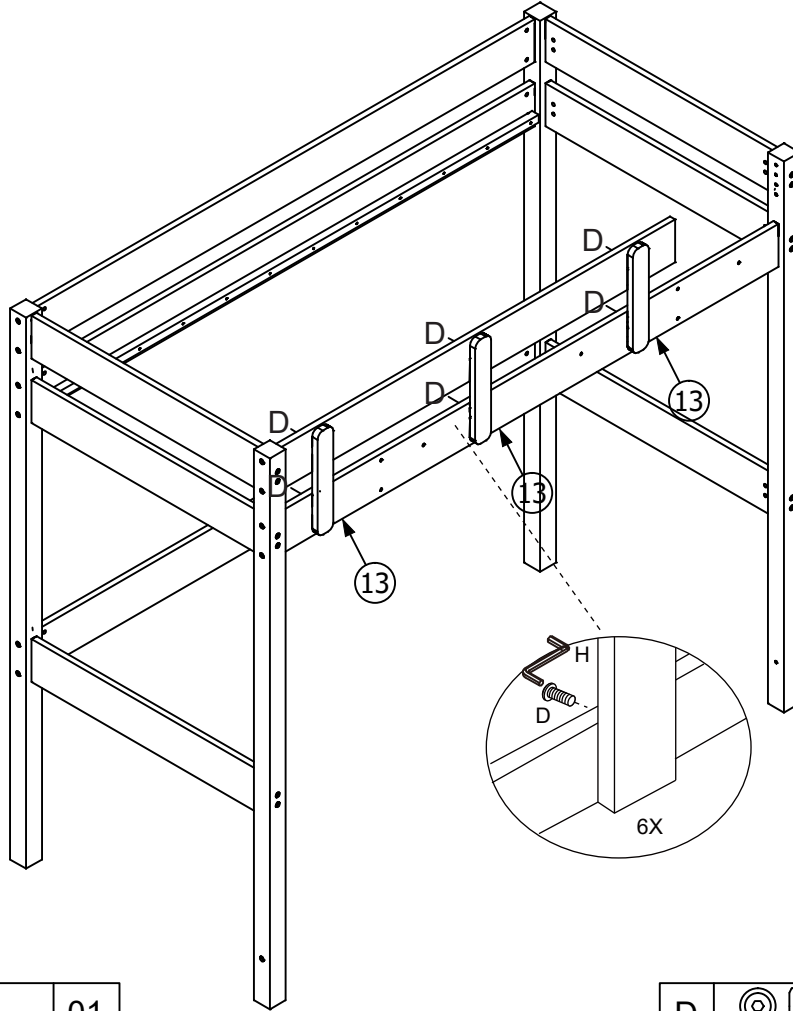
# 03




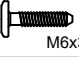
H	 4mm	01
---	---	----

A	 15mm M6x90mm	18
C	 Ø10x13mm	18

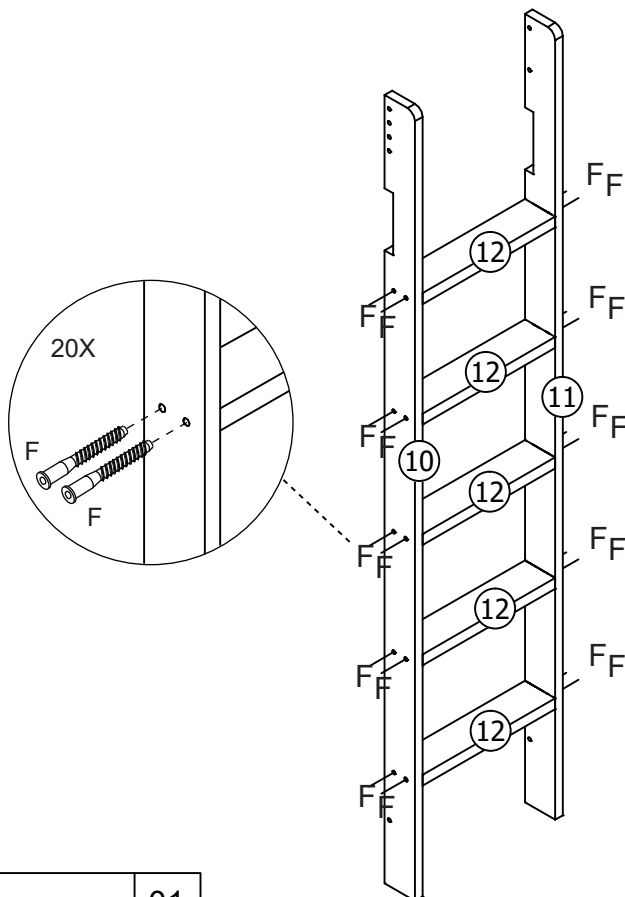
# 04




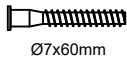
H  4mm 01

D  15mm  M6x35mm 06

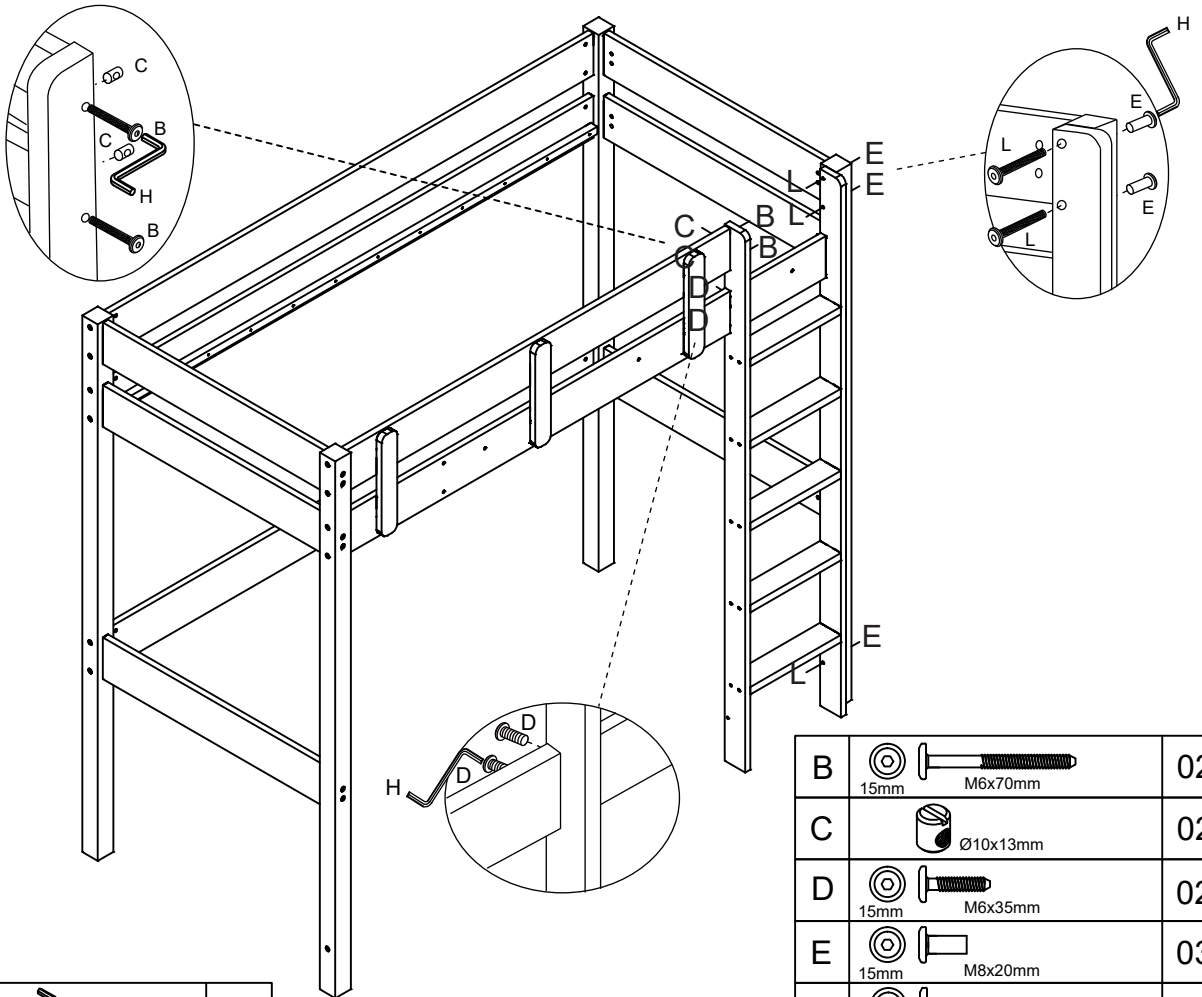
# 05








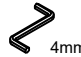
H  4mm 01

F  10mm  Ø7x60mm 20

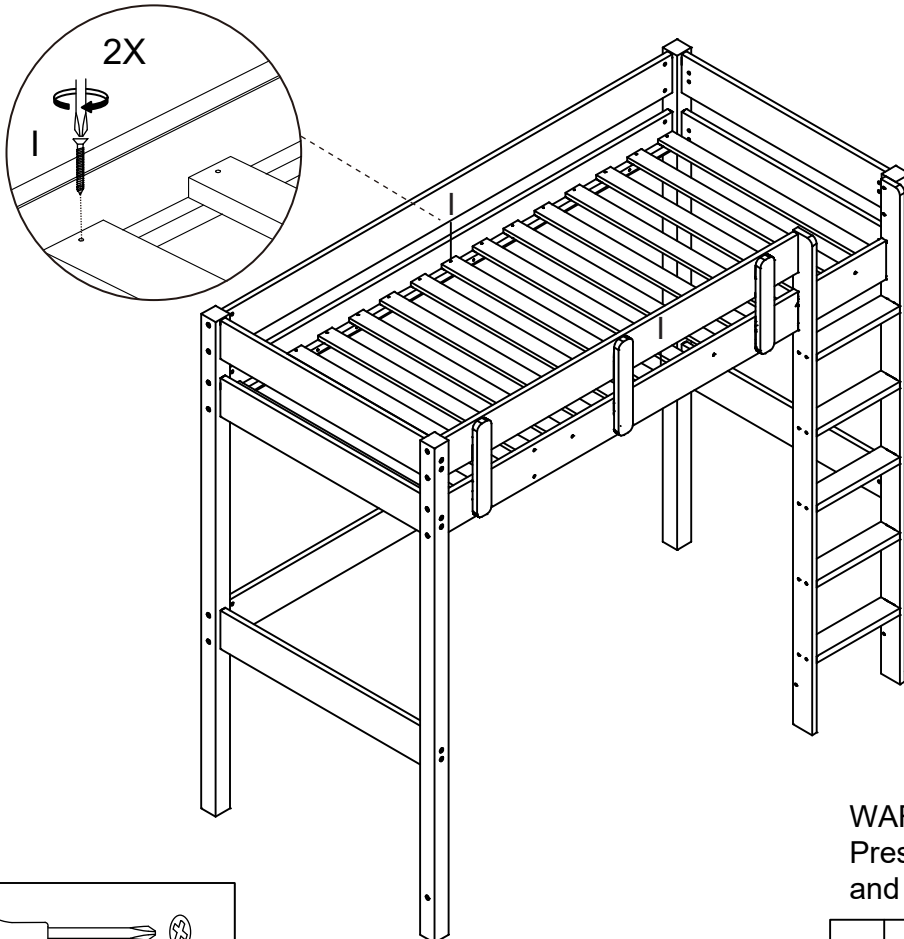
# 06



B		M6x70mm	02
C		Ø10x13mm	02
D		M6x35mm	02
E		M8x20mm	03
L		M6x60mm	03

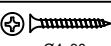
H		4mm	02
---	---	-----	----

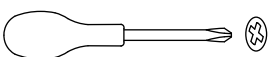
# 07



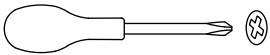
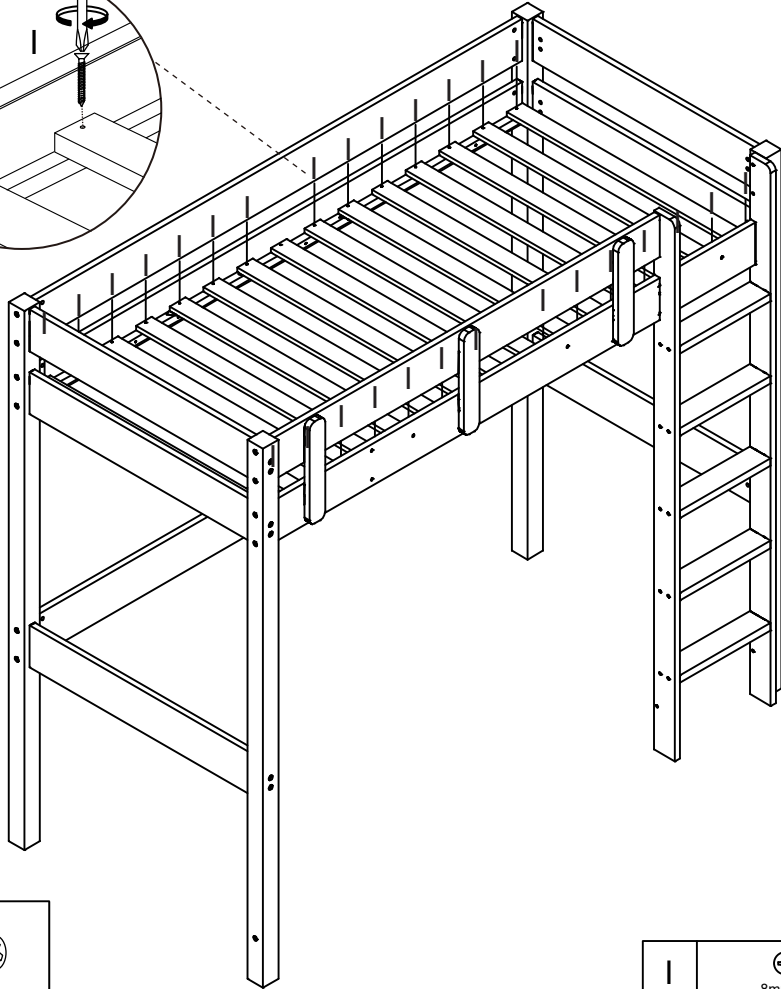
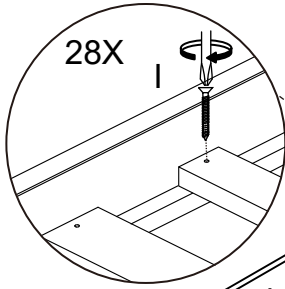
**WARNING:**  
Press the middle of bed sides  
and tighten the screw first.




I		8mm Ø4x30mm	02
---	---	-------------	----

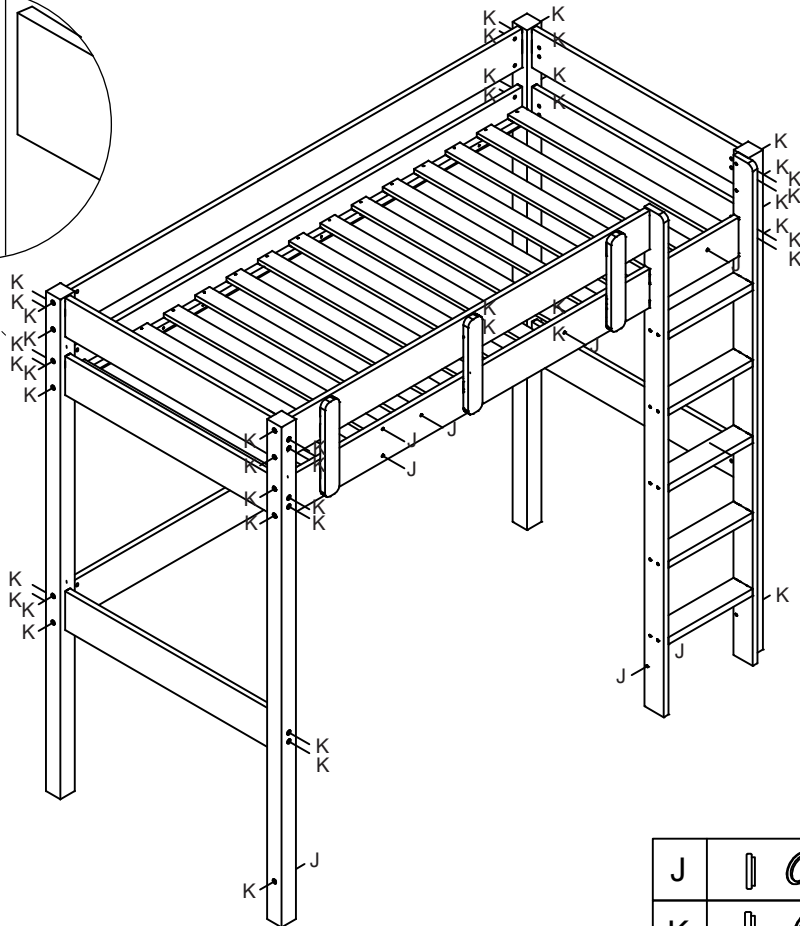
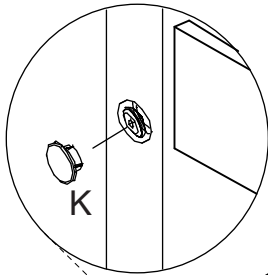




08



I		8mm Ø4x30mm	28
---	---	-------------	----

09



J		Ø8mm	08
K		Ø15mm	46



## **Safety Information**

Please ensure the item is fully tightened and secured. We would also recommend checking the bolts of the item over time to ensure that the item is still secured correctly, this will guarantee you will be able to enjoy the product for many years to come.

## **Return Information**

If you have any problems with the item just email us at [info@noaandnani.co.uk](mailto:info@noaandnani.co.uk) or give us a call and we can resolve it for you, our technical team will be able to assist in helping. If you have any parts that are damaged we can replace them for you. If you do need to return the item for some reason just email us to request an RMA number and fill in the form on the next page and we can arrange the return of the goods.

## **Assembly Information**

We understand that self assembly furniture can be a pain but we try and make it as easy as possible for anyone to build, if you have found a problem with the assembly of the product or with the assembly instructions or you have comments on how we would improve them, we would love to hear from you. Just contact us either by email at [productadvice@noaandnani.co.uk](mailto:productadvice@noaandnani.co.uk) or by phone.

## **Related items**

We have a matching range of items that compliment this product, just head to [noaandnani.co.uk](http://noaandnani.co.uk) for the full selection.

**NÖA & NANI**  
FAMILY FURNITURE



[www.NoaandNani.co.uk](http://www.NoaandNani.co.uk)



## Return Merchandise Authorization RMA

Buyers Name:

Address:

Postal Code:

Telephone:

RMA Number:

Signature:

Number of Packages to Return:

Collection Charge Amount:

### RMA Agreement

All goods will be returned as per request, if there are multiple packages these will all be returned. The courier will collect the amount of packages as stated. Any failure to give all the packages to the courier will result in an additional collection fee and/or a deduction from the refund total.

Images of returned packages included. Please tick

(Why do we require images?) Due to the nature of our oversized items going through the courier networks it is important that prior to booking in the collection, we can see the size of the parcels being returned. This avoids couriers attempting a collection and refusing to collect the goods, which means you haven't wasted time waiting in for the collection not to take place.

### Failed Collections

If a collection is booked in and the collection fails due to no-one being at the property to give the goods back, a fee of 50% off the collection charge will be charged. The collection will then need to be booked in again and an additional collection charge will be incurred.

**IMPORTANT:** Please ensure the RMA Number is clearly written on all of the packages. This will ensure the refund will be processed swiftly.