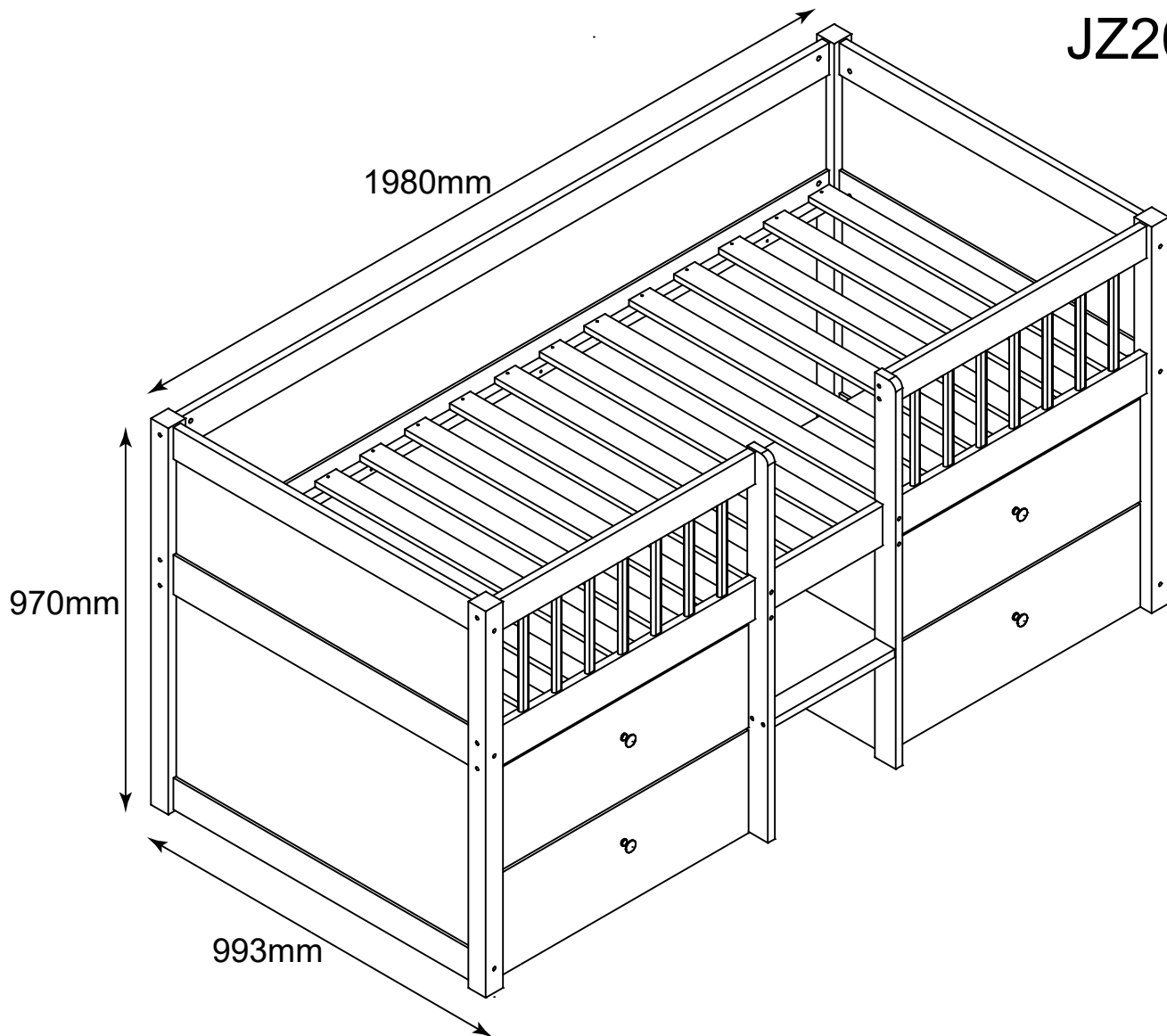
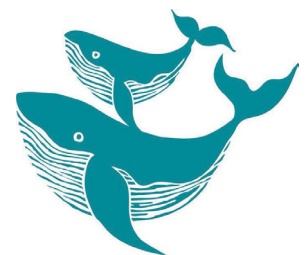


JZ20035

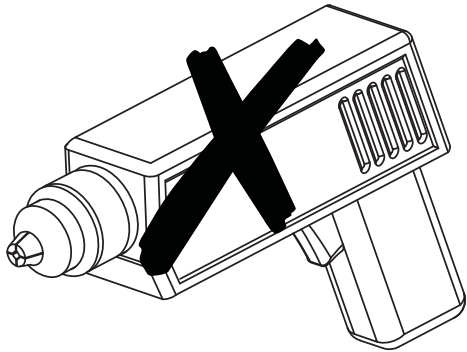


NÖA & NANI

FAMILY FURNITURE



**PETRA CABIN BED WITH DRAWERS
ASSEMBLY INSTRUCTIONS**

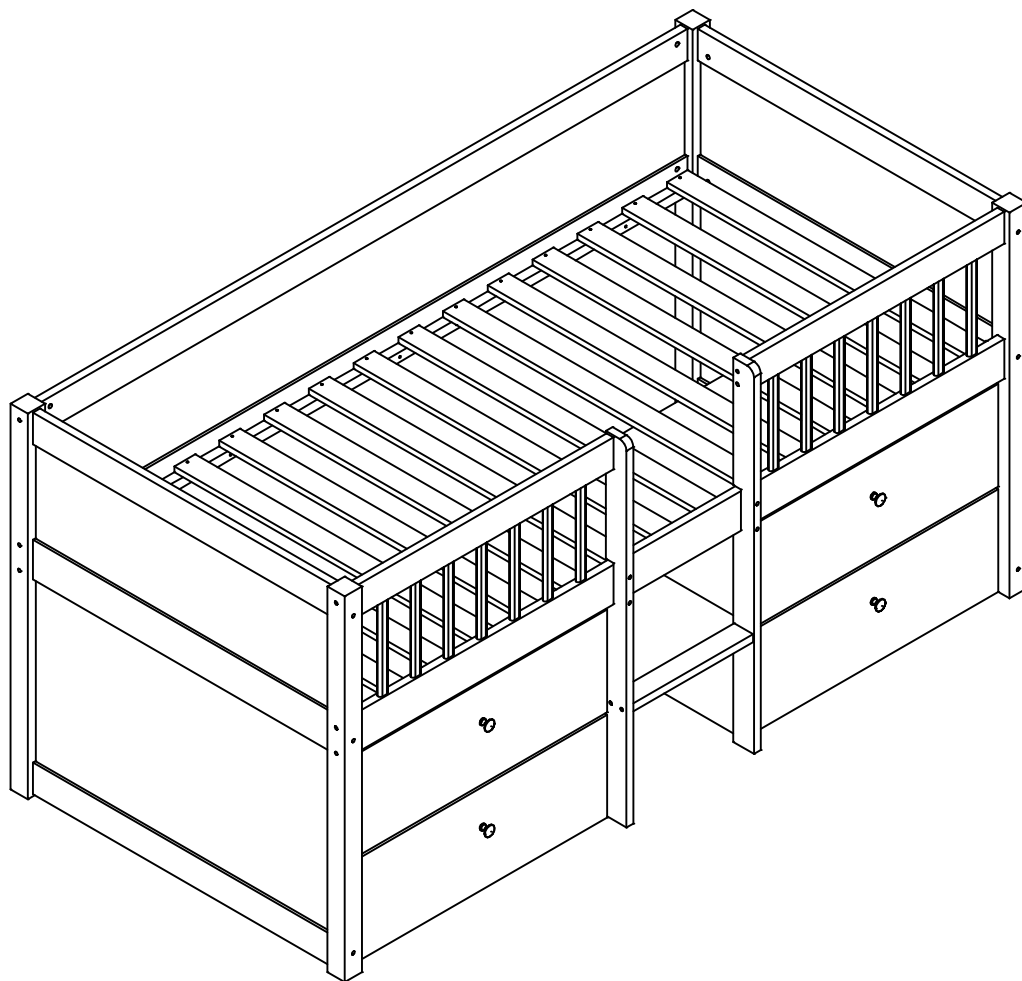


WARNING!






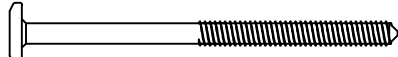




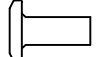

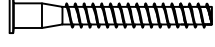

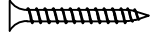
To avoid damage to the product please do not use powertools to assemble this item!!!


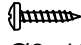
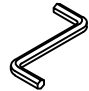





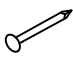
Packing list!

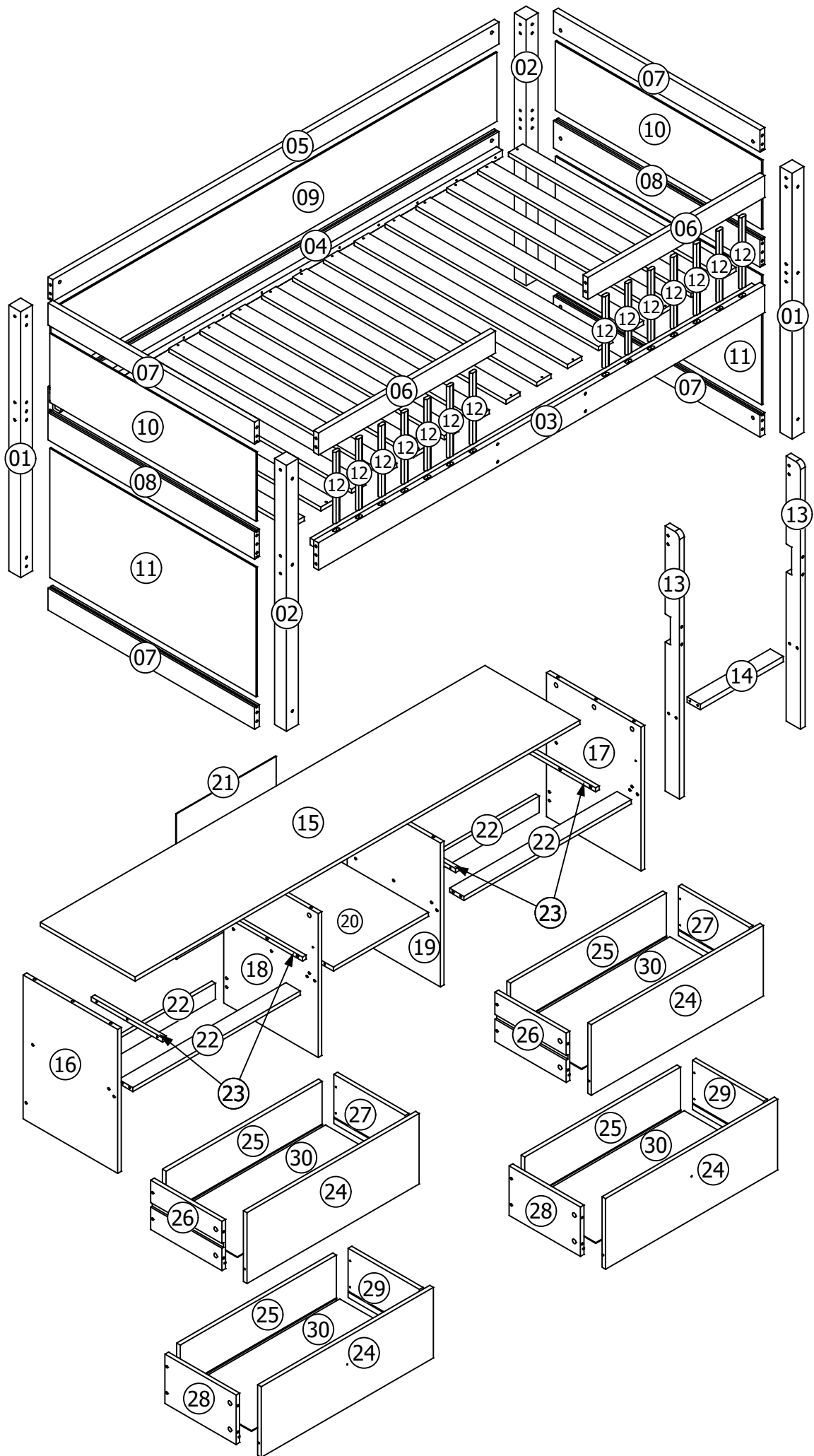
Carton Number	Part Number	Quantity	
Carton 1 Chest of drawers	11	2	
	15	1	
	16	1	
	17	1	
	18	1	
	19	1	
	20	1	
	21	1	
	22	4	
	23	4	
	24	2	
	25	4	
	26	2	
	27	2	
	28	2	
	29	2	
	30	4	
		hardware	1
		instruction book	1
Carton 2 Bed Frame	1	2	
	2	2	
	3	1	
	4	1	
	5	1	
	6	2	
	7	4	
	8	2	
	9	1	
	10	2	
	12	14	
	13	2	
	14	1	
24	2		



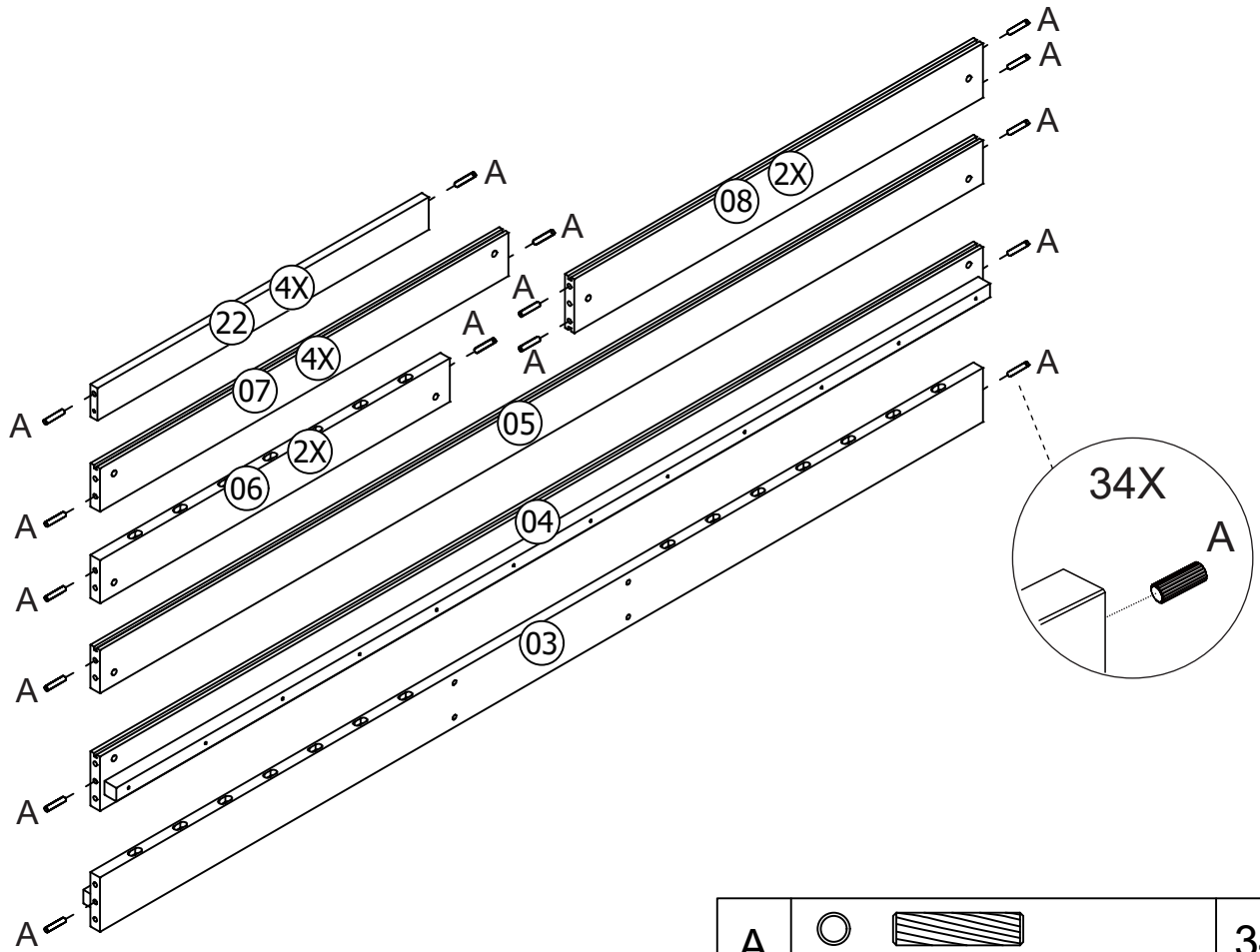
HARDWARE

A	 8mm	 Ø8x30mm	34
B	 15mm	 M6x70mm	02
C	 15mm	 M6x90mm	24
D	 Ø10.5x16mm		26
F	 15mm	 M6x50mm	04
I	 15mm	 M8x20mm	04
J	 10mm	 Ø7x60mm	18
O	 8mm	 Ø4x25mm	58

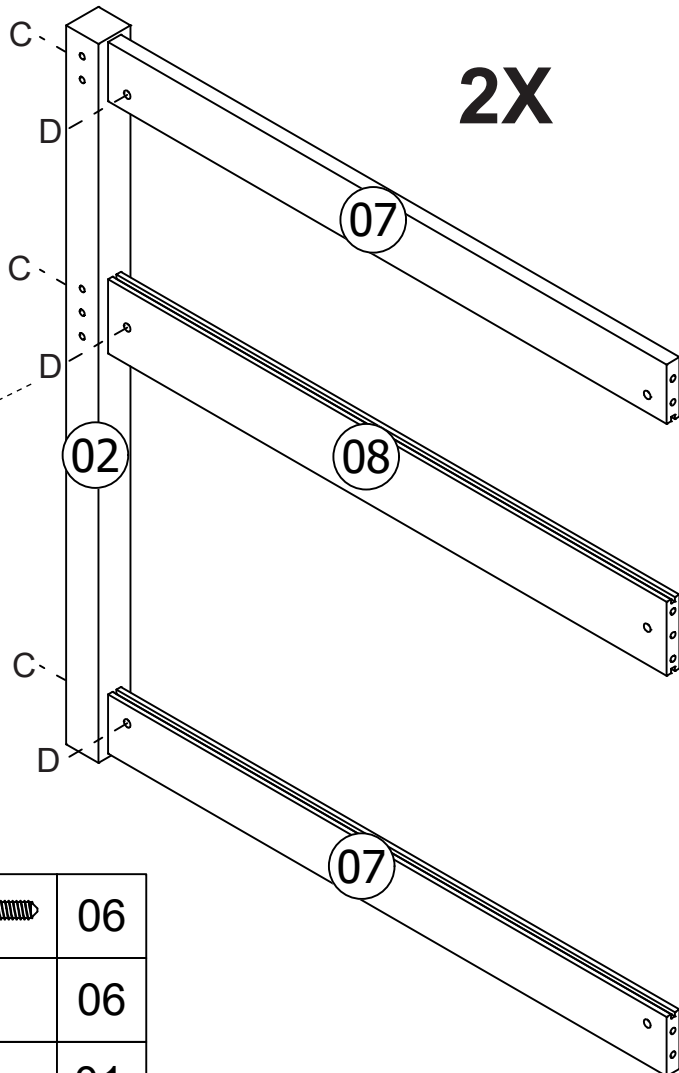
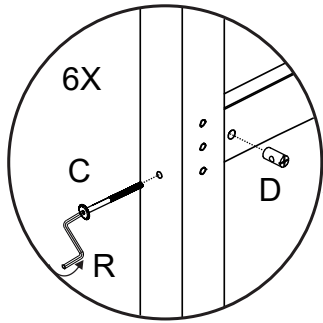
P	 7mm	 Ø3x16mm	16
R	4mm		02
U		 H=35mm	08
V		 Ø6.5x35mm	28
W		 Ø15x11mm	28
S		 Ø15x11mm	04
Y		 M4x20mm	04
Z		 Ø2x16mm	12







01

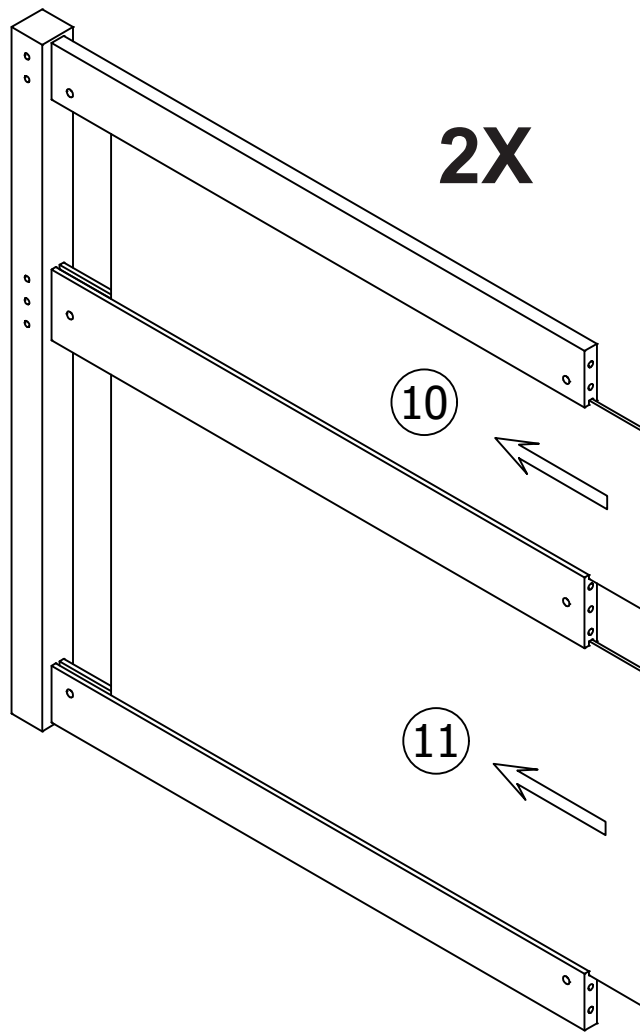


02

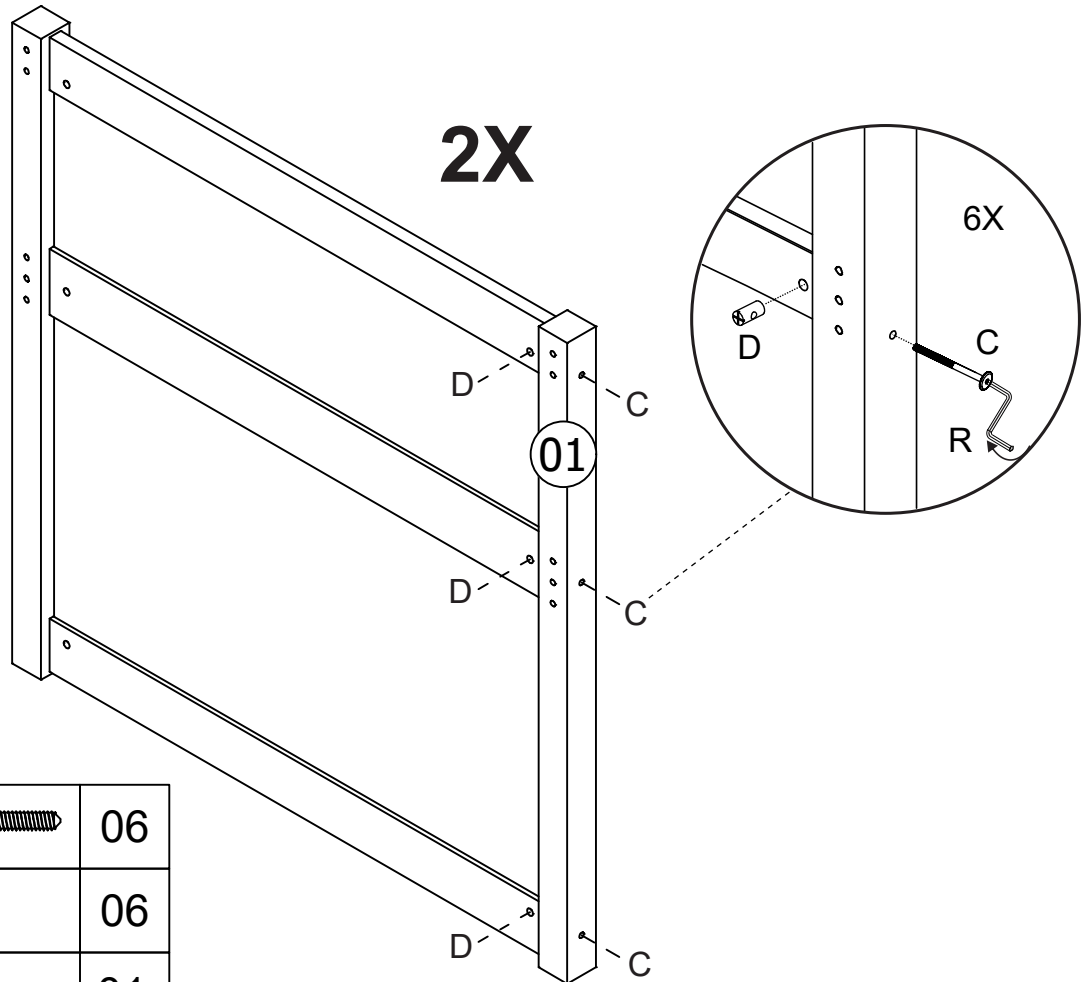





C	 15mm	 M6x90mm	06
D	 Ø10.5x16mm		06
R	4mm		01

03

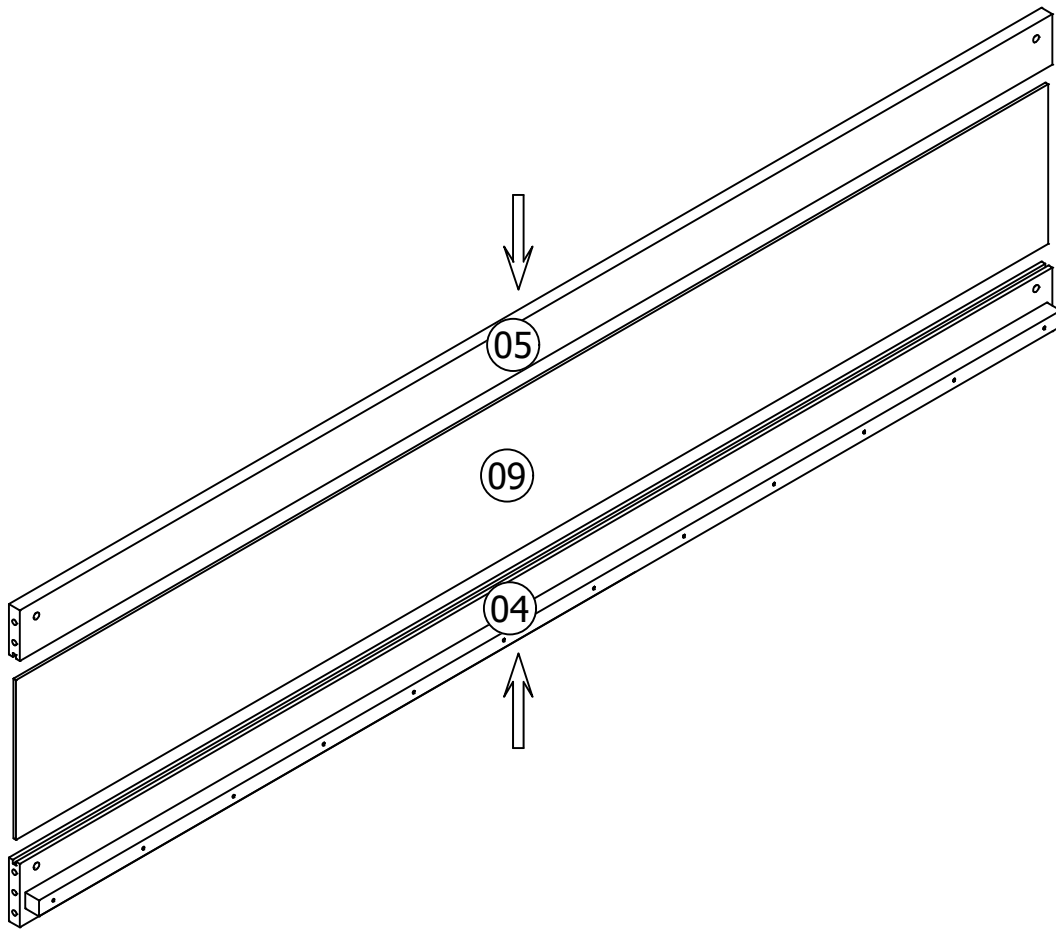


04

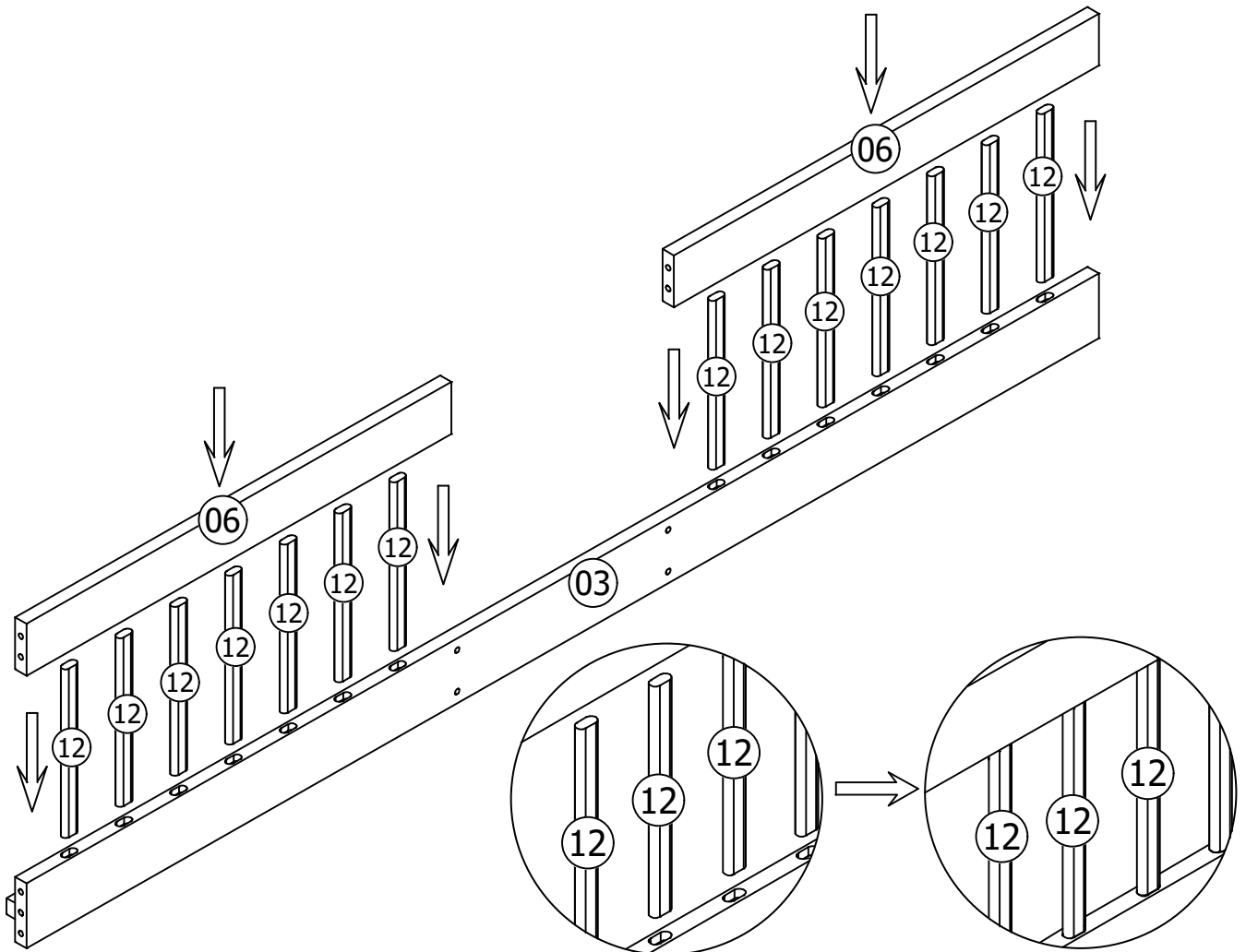


C	 15mm M6x90mm	06
D	 Ø10.5x16mm	06
R	 4mm	01

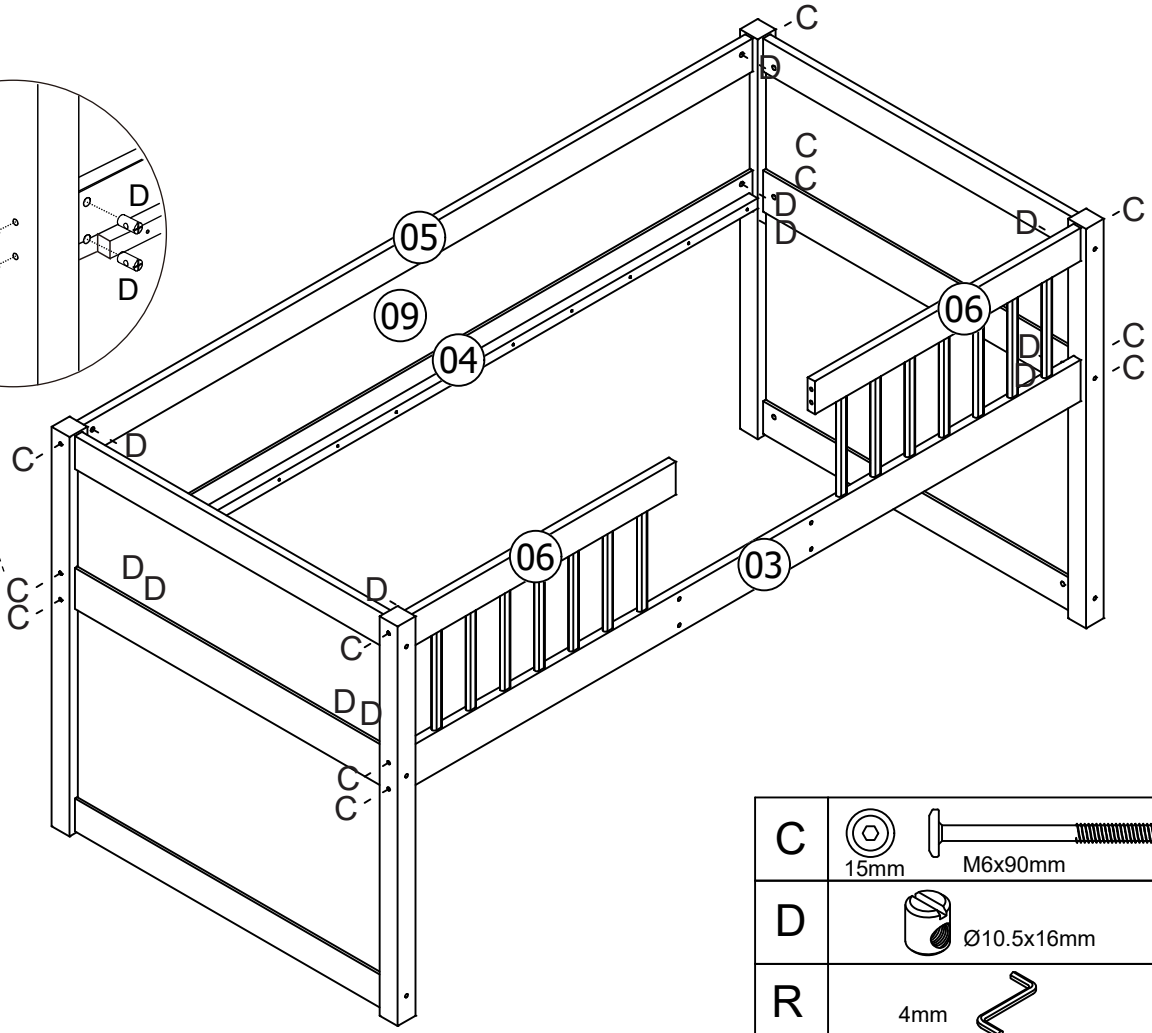
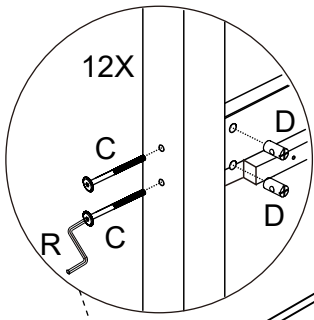
05


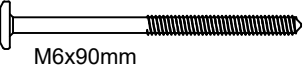




06

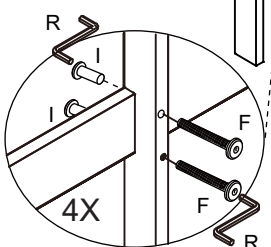
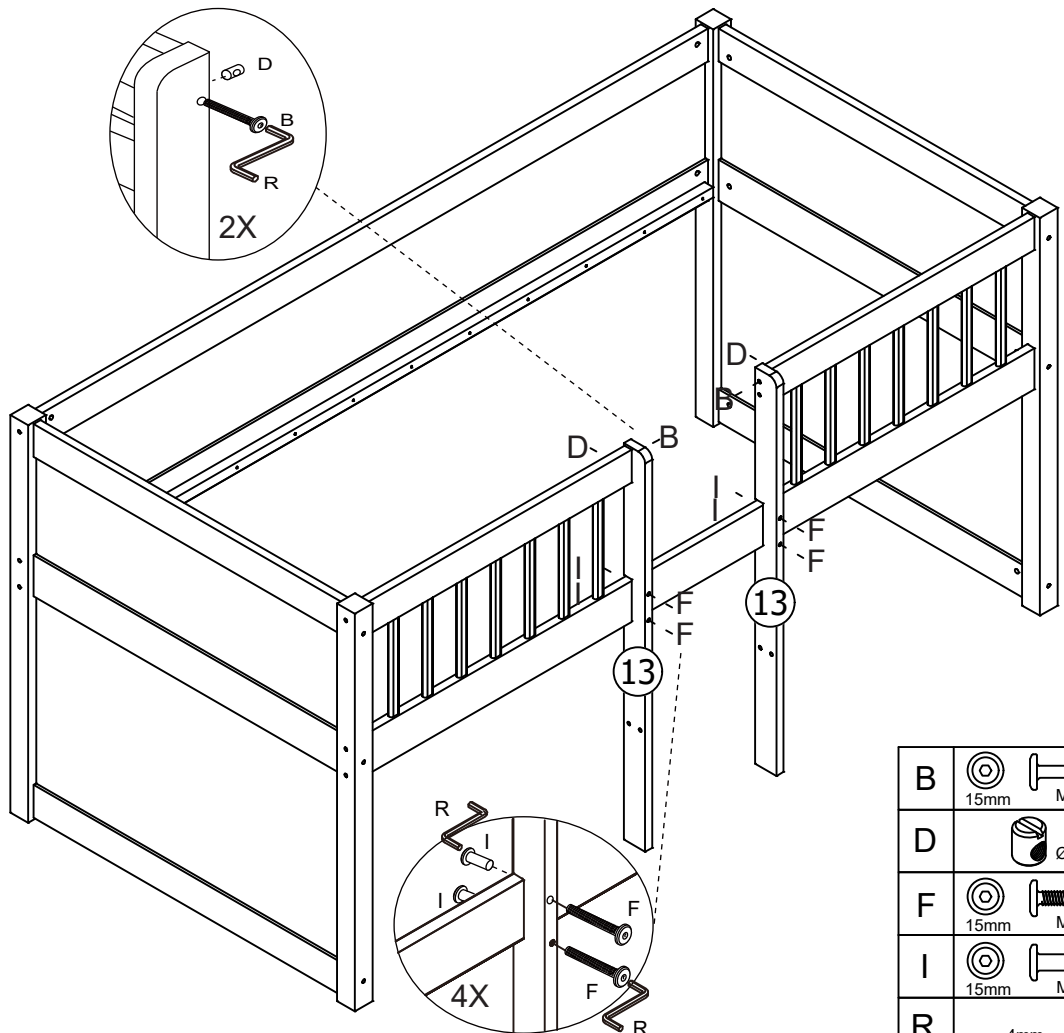
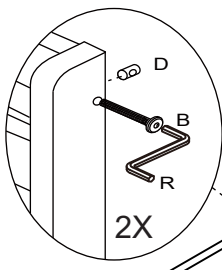



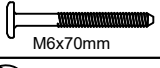


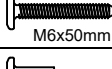
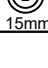


07



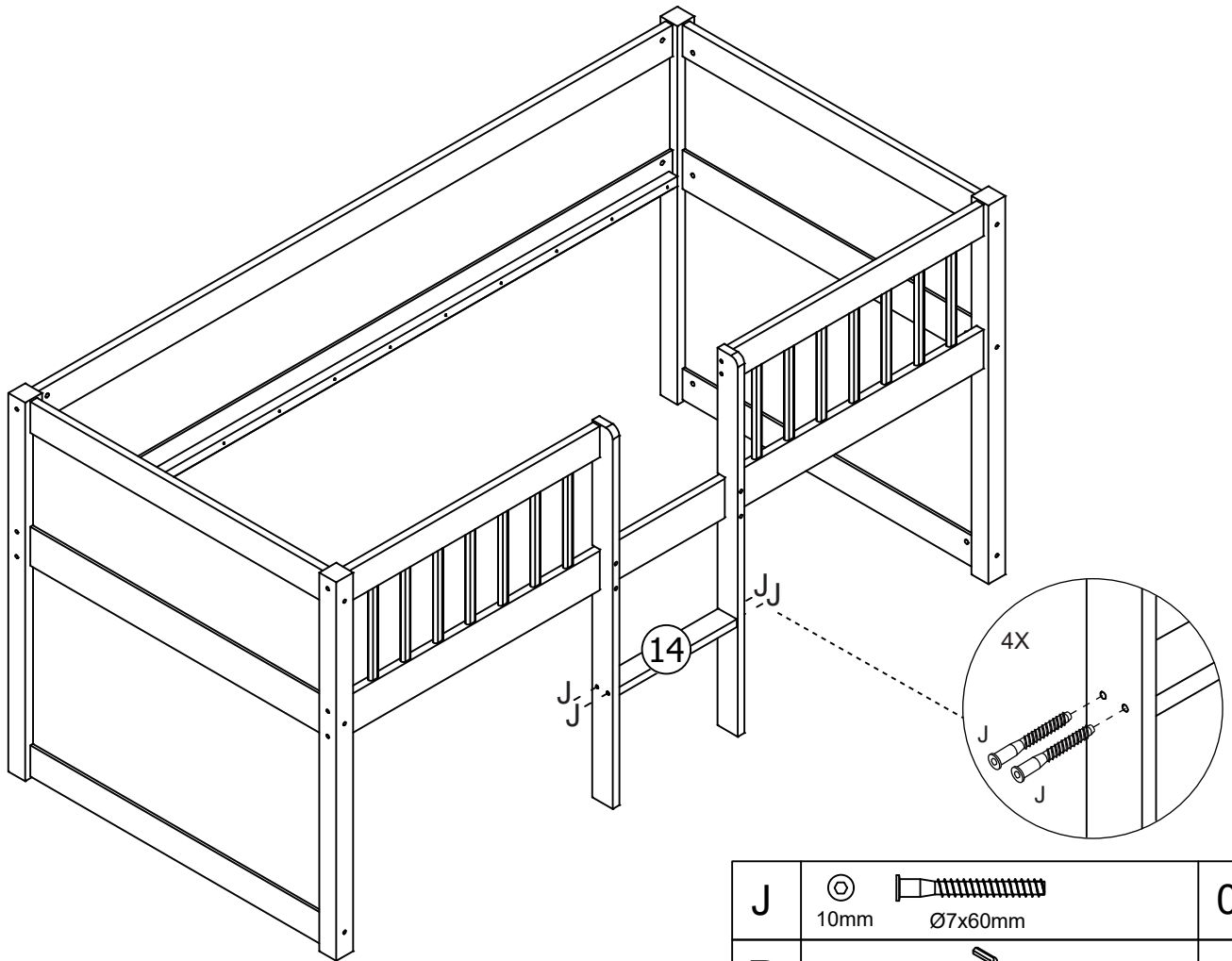
C	 15mm	 M6x90mm	12
D		Ø10.5x16mm	12
R	4mm		01


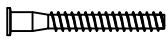

08



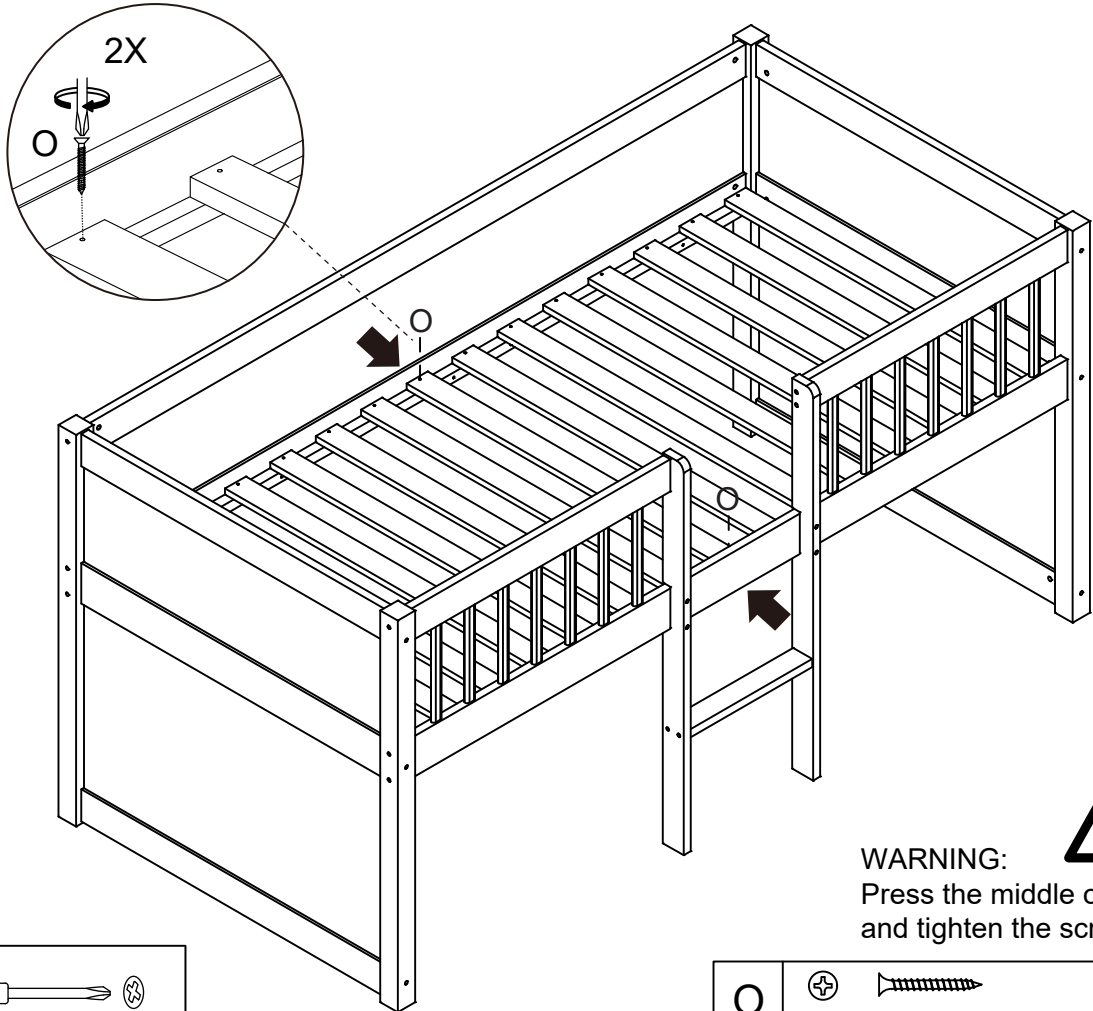
B	 15mm	 M6x70mm	02
D		Ø10.5x16mm	02
F	 15mm	 M6x50mm	04
I	 15mm	 M8x20mm	04
R	4mm		02

09

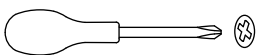



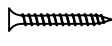
J	 10mm	 Ø7x60mm	04
R	4mm		01

10

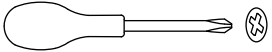
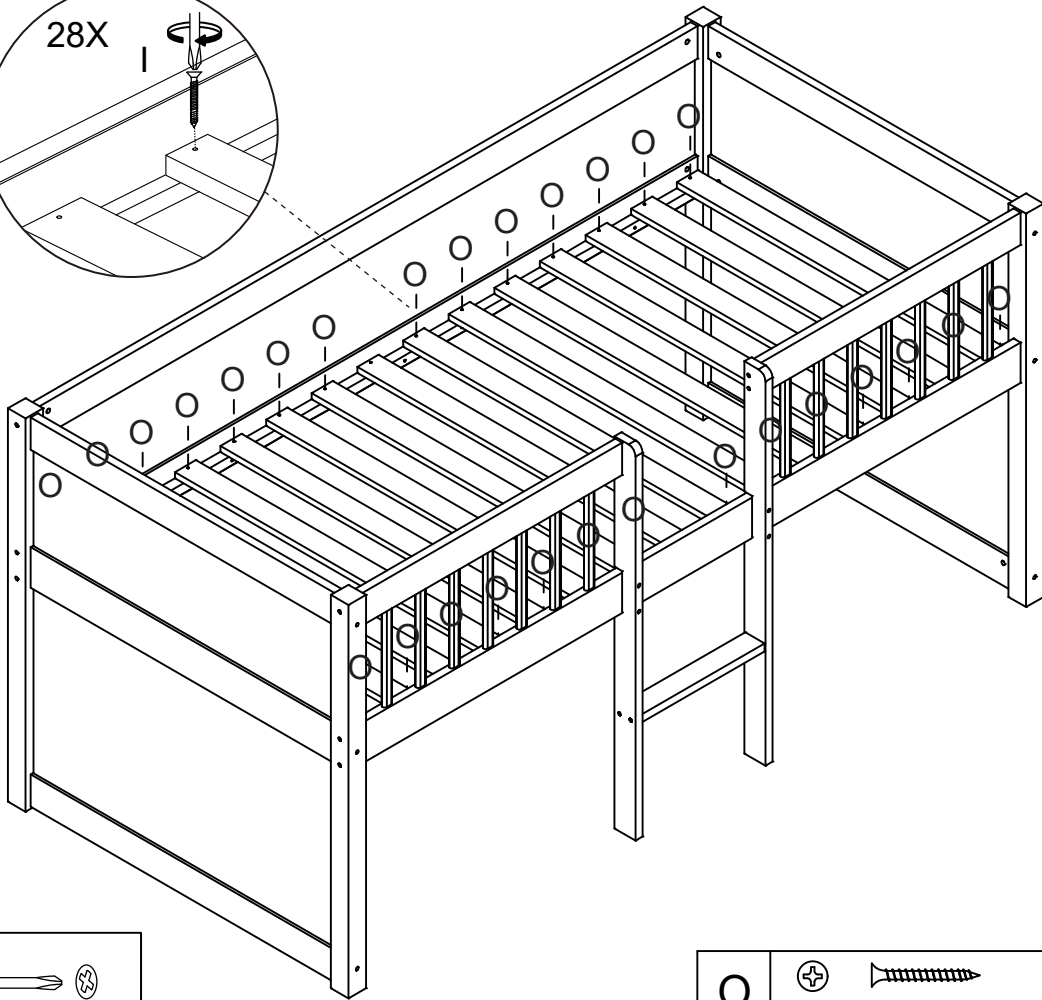
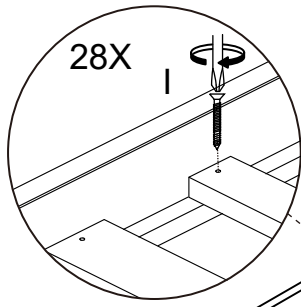


WARNING:
Press the middle of bed sides and tighten the screw first.



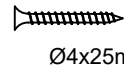
O	 8mm	 Ø4x25mm	02
---	---	---	----

11



O

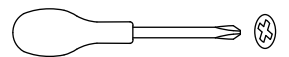
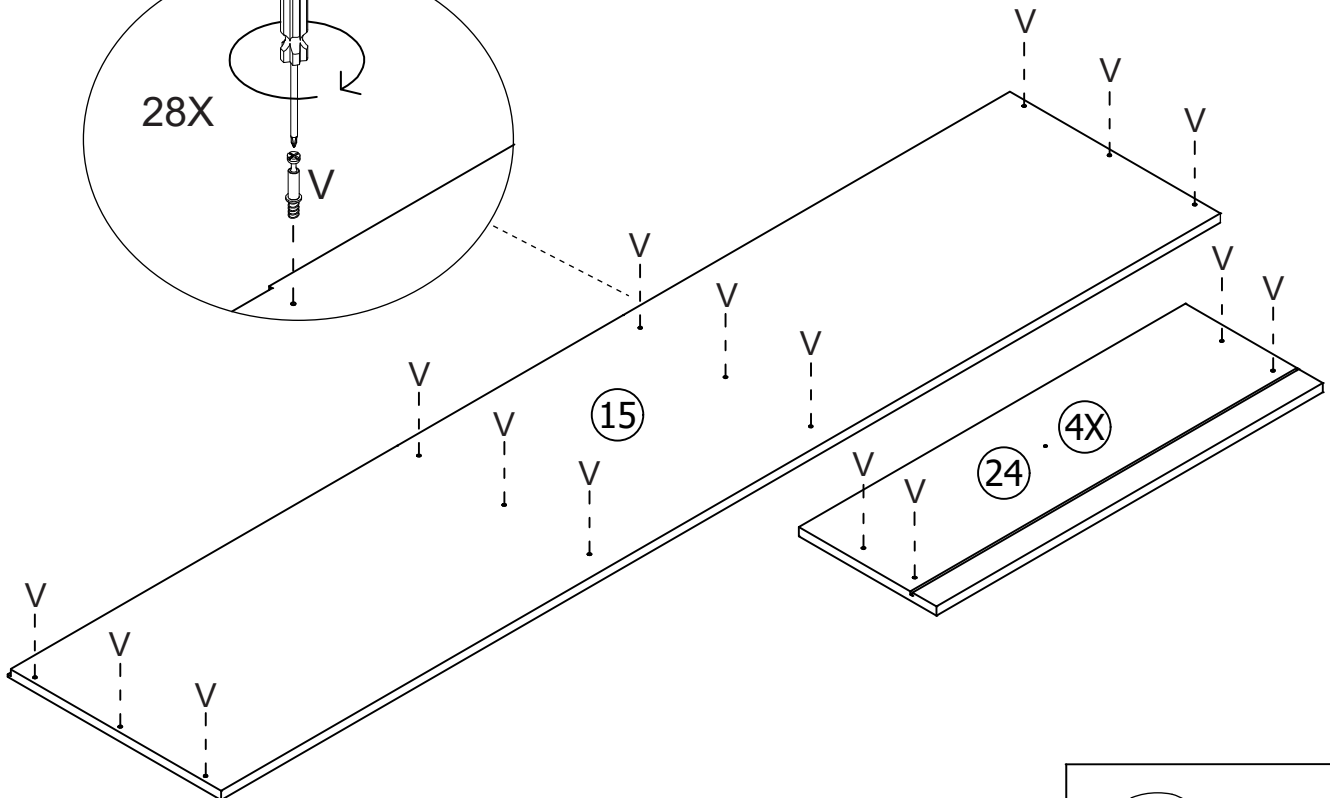
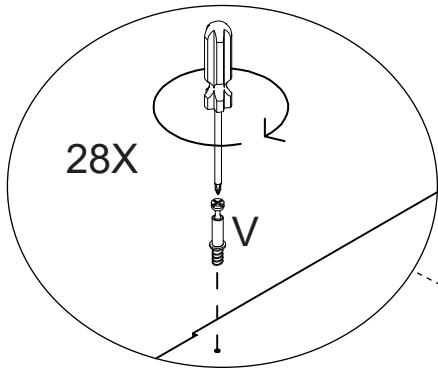
8mm



Ø4x25mm

28

12



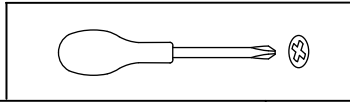
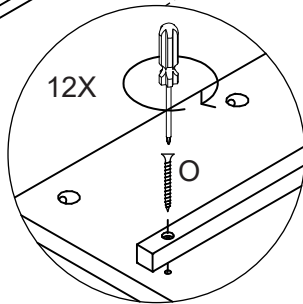
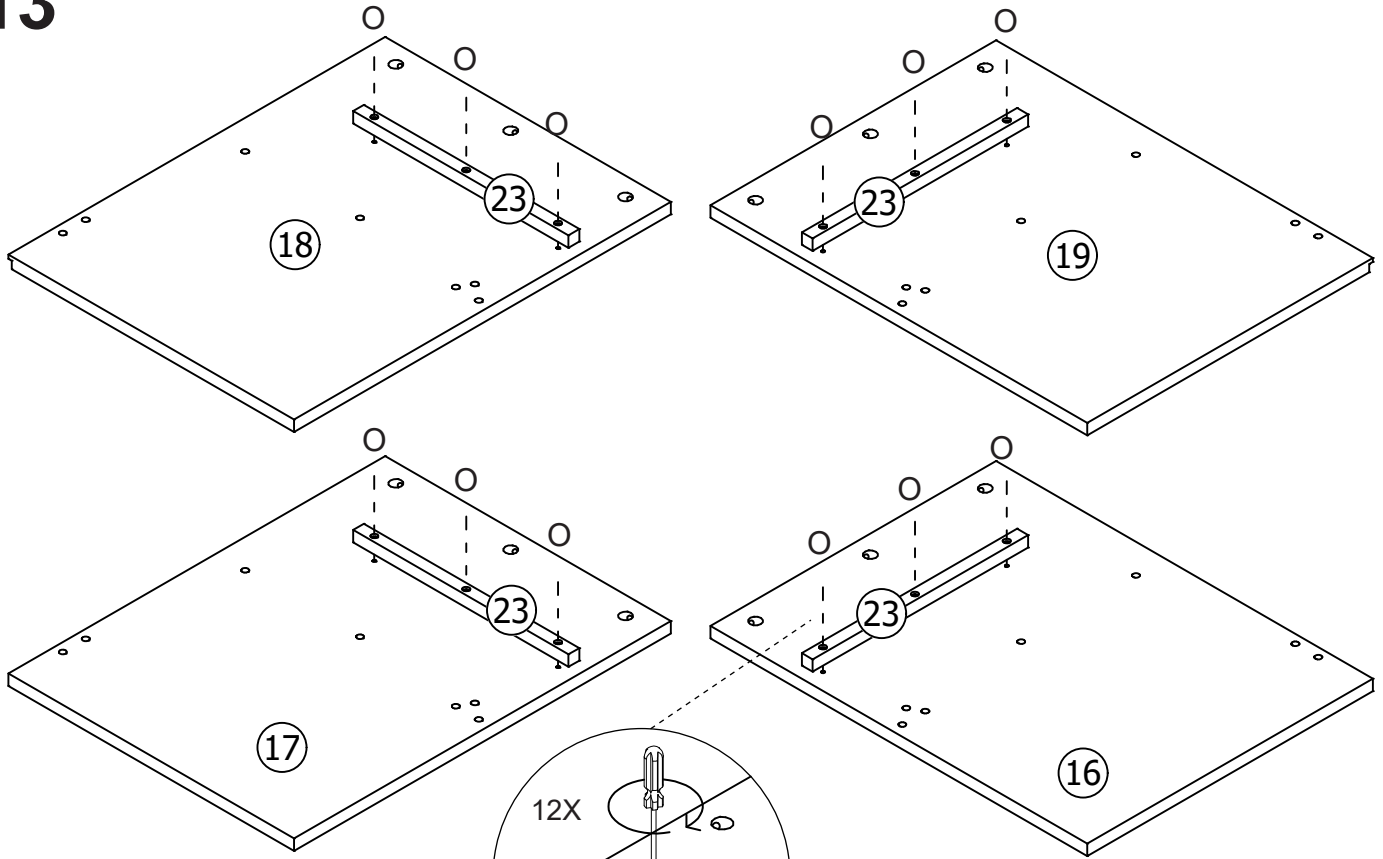
V



Ø6.5x35mm

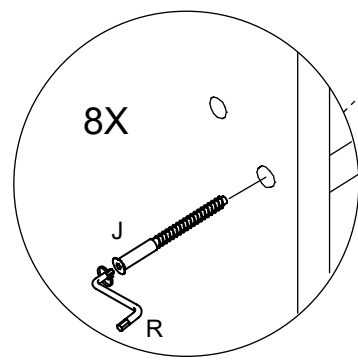
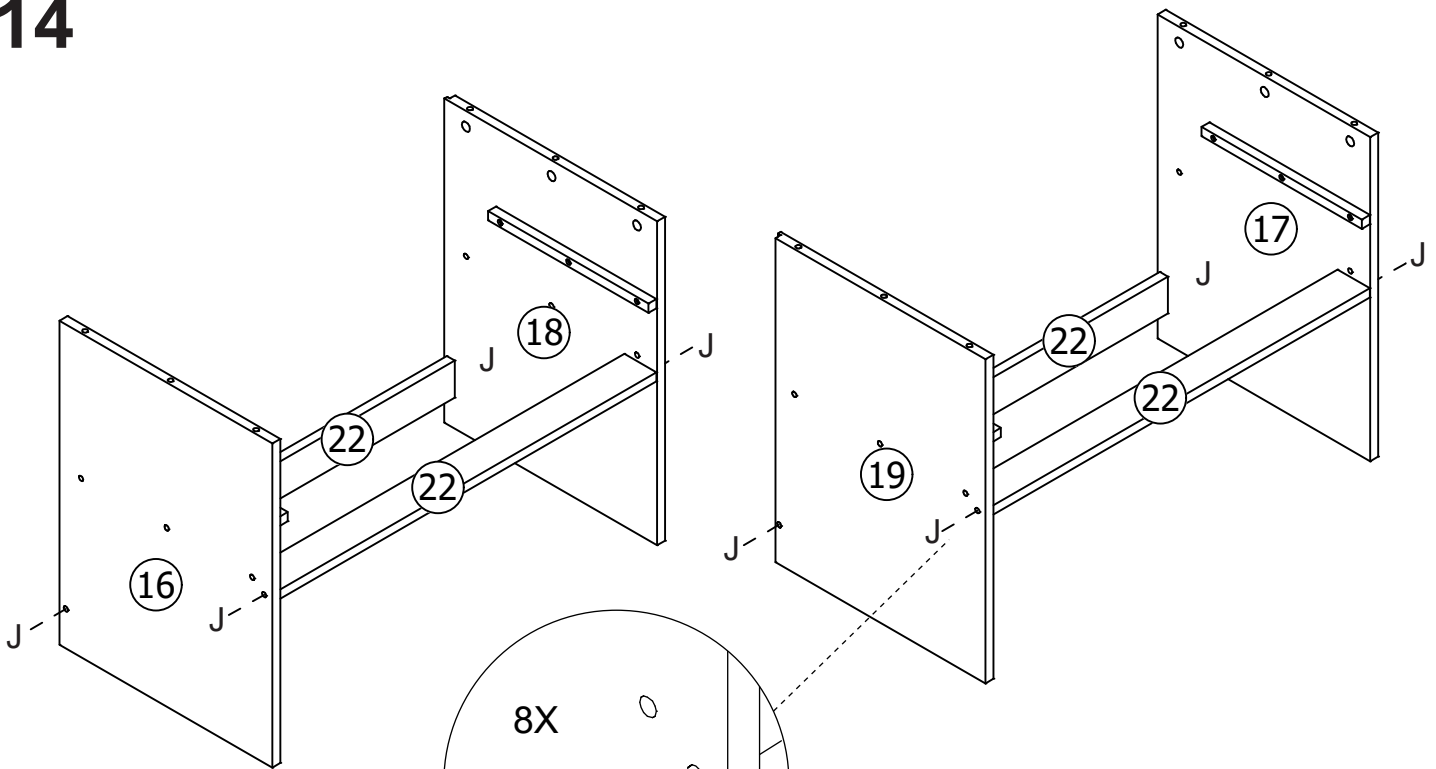
28

13



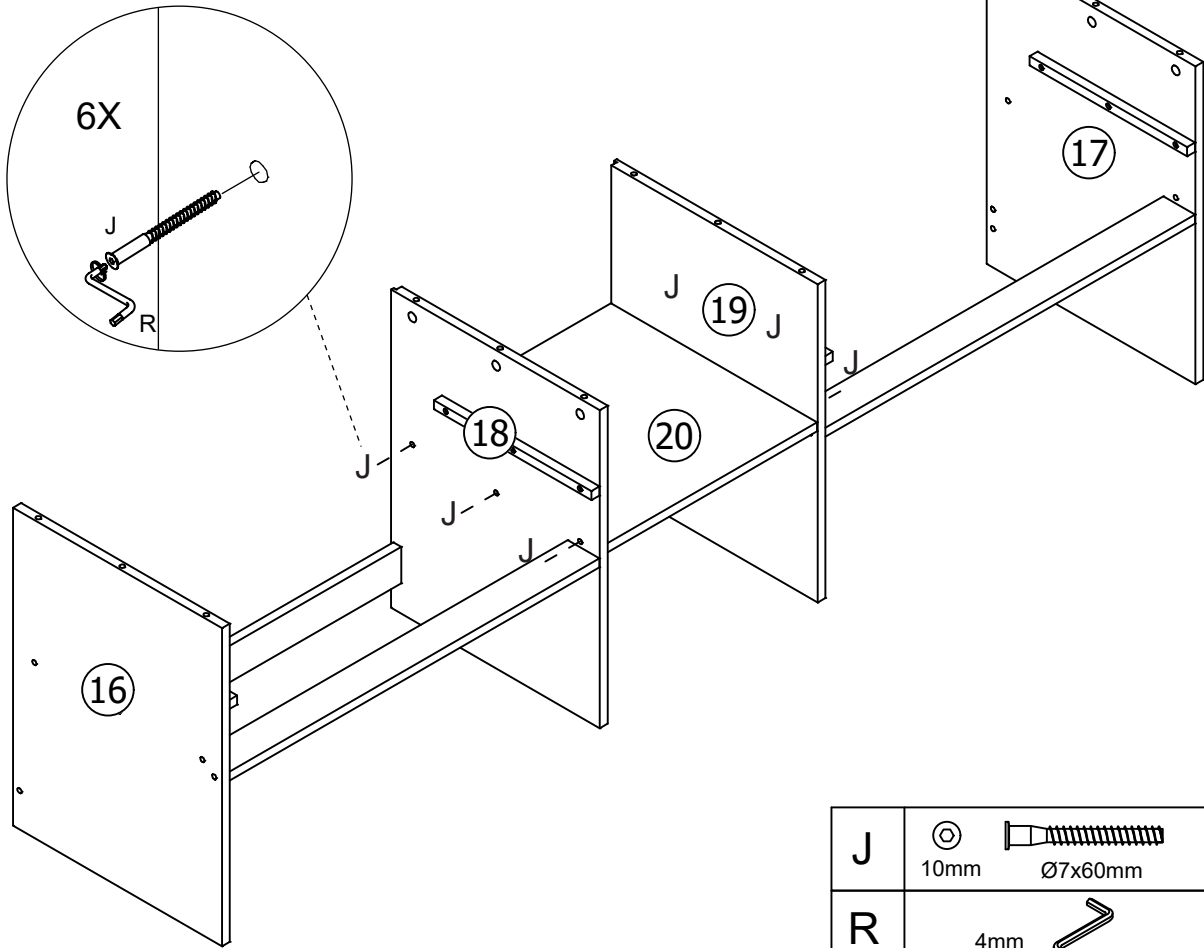
O	⊕ 8mm	⌘ Ø4x25mm	12
---	----------	--------------	----

14



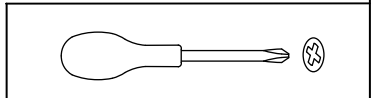
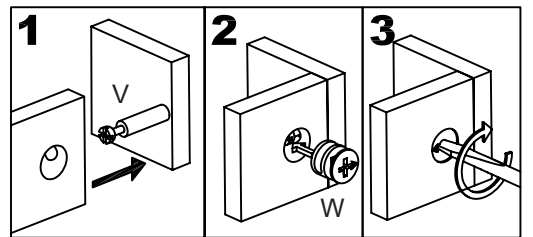
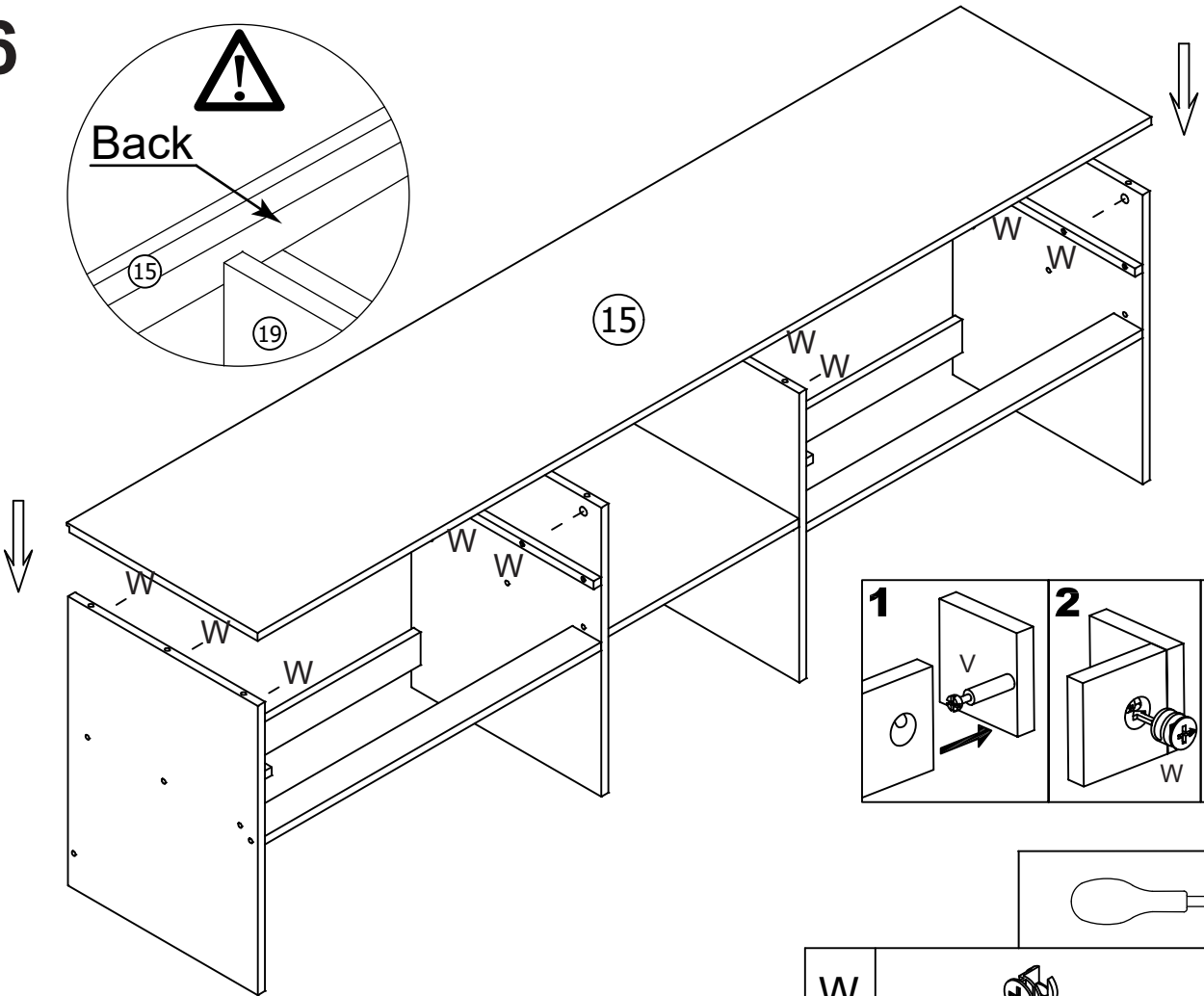
J	⊙ 10mm	⌘ Ø7x60mm	08
R	4mm	⌘	01

15



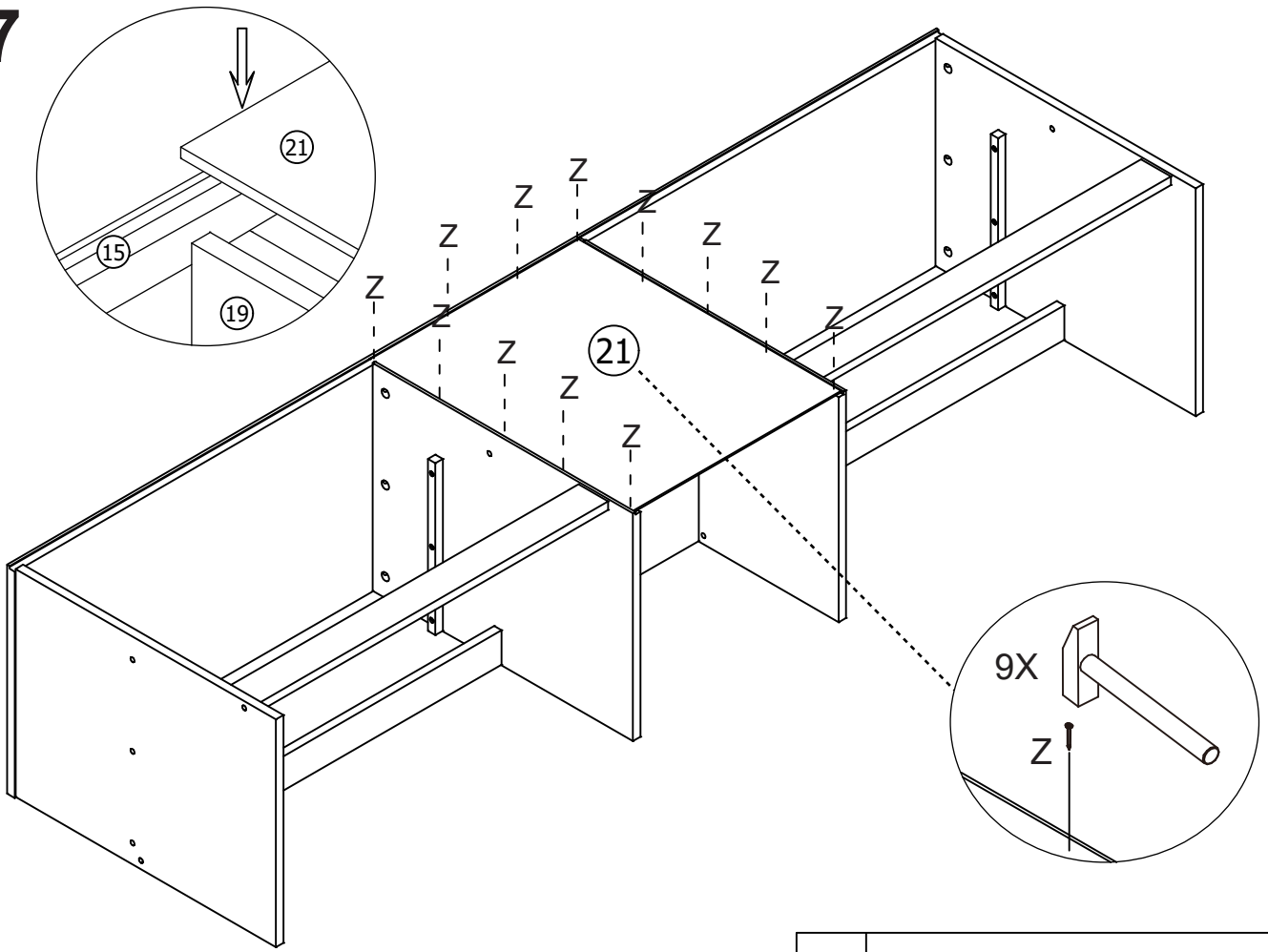
J	⊙ 10mm	$\varnothing 7 \times 60 \text{mm}$	06
R	4mm		01

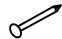
16



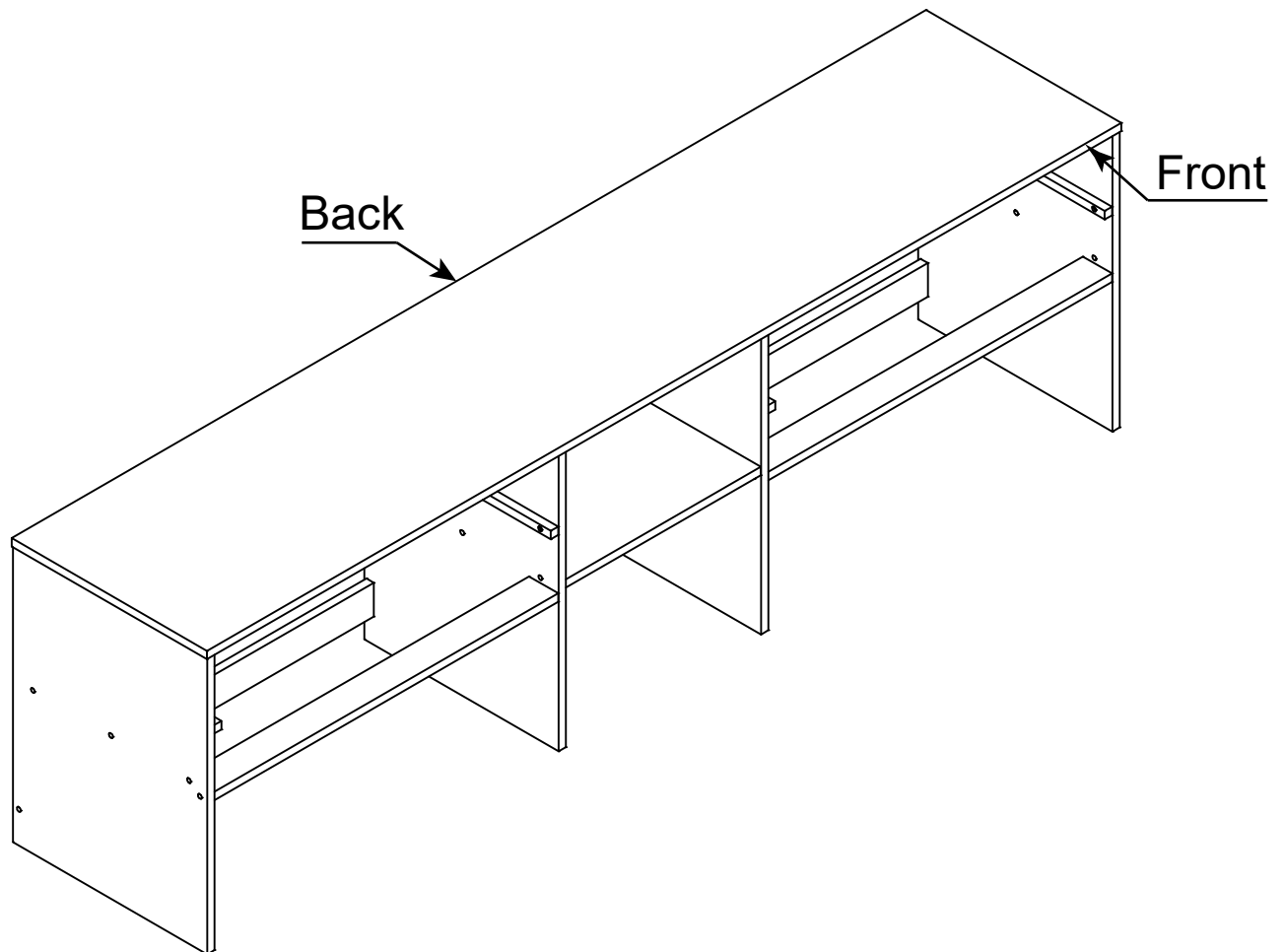
W		$\varnothing 15 \times 11 \text{mm}$	12
---	--	--------------------------------------	----

17

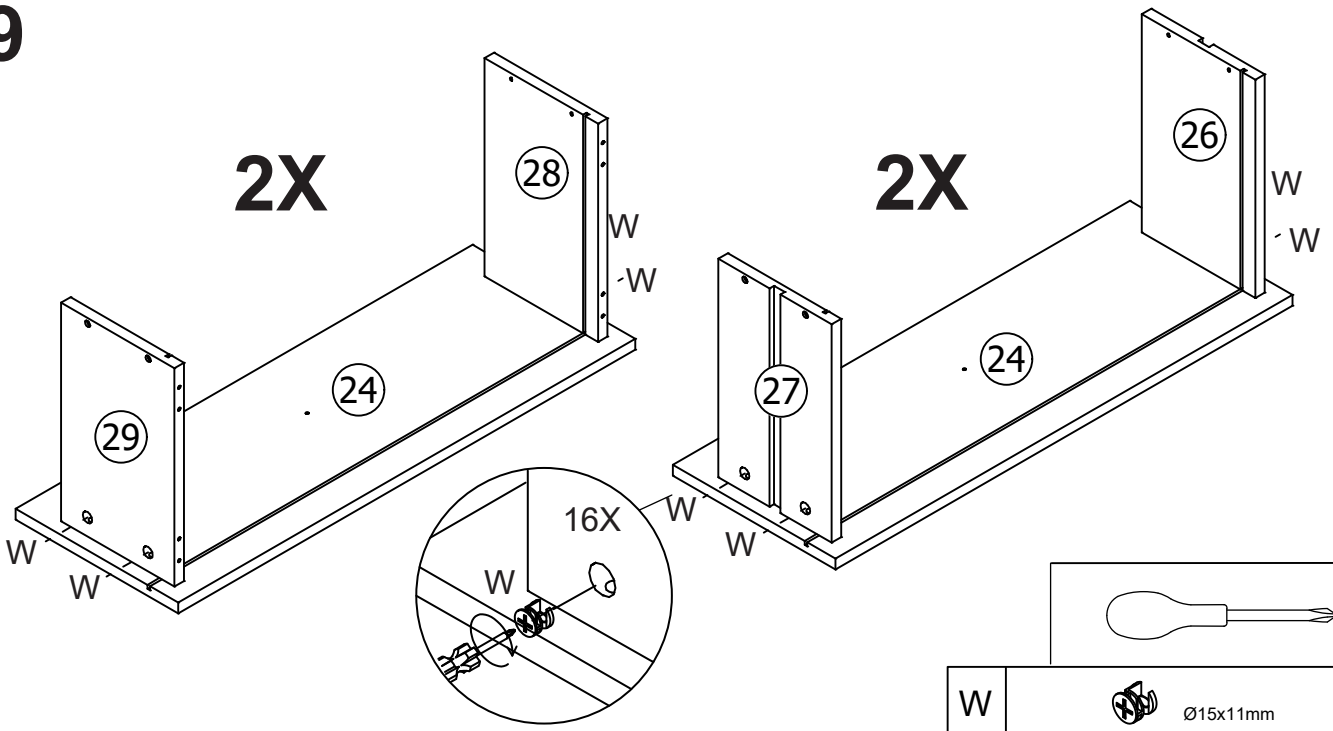


Z		Ø2x16mm	12
---	---	---------	----

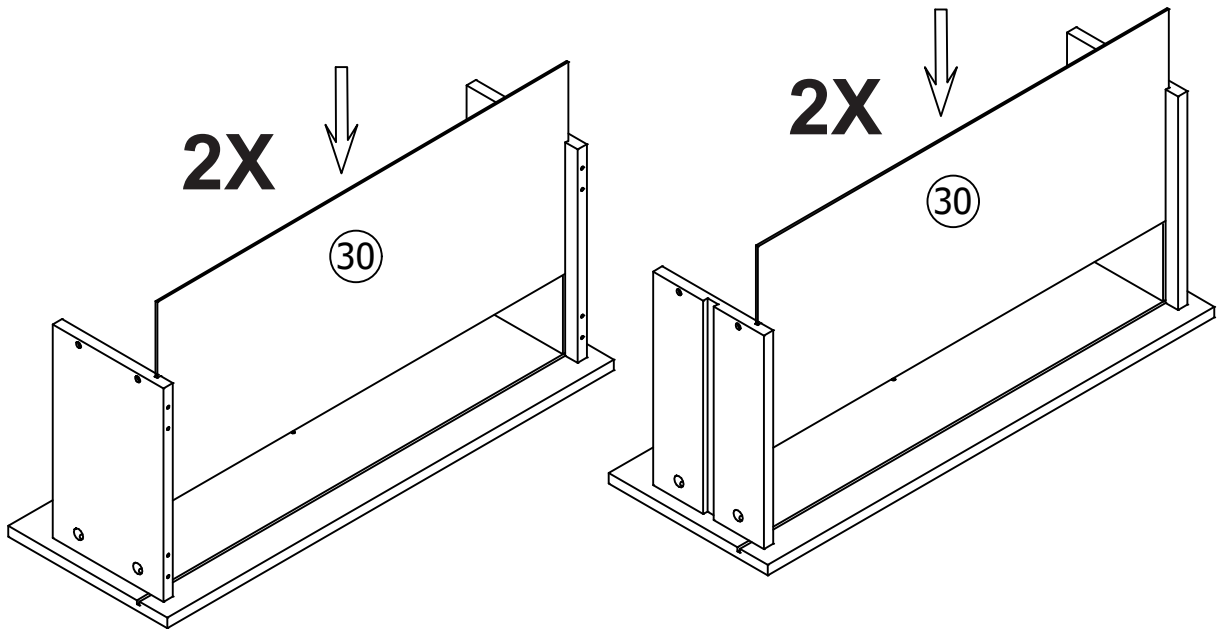
18



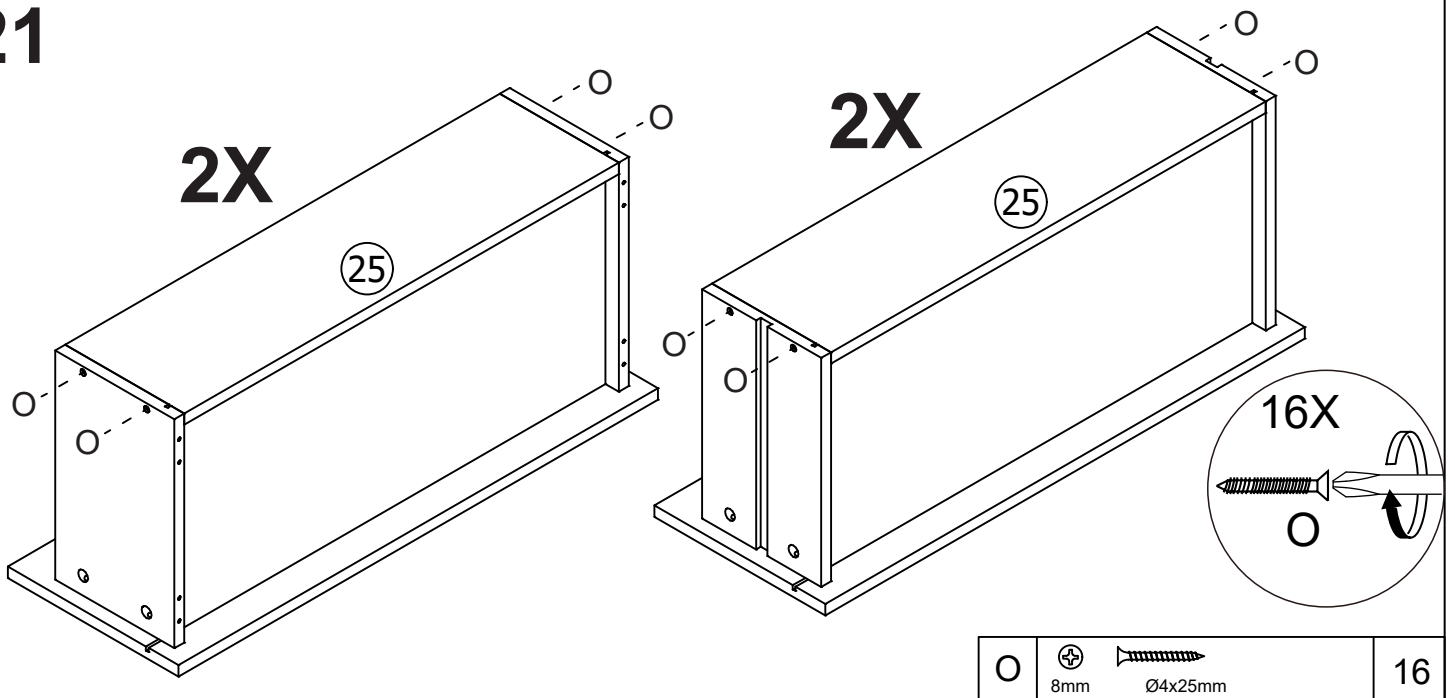
19



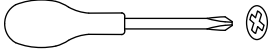
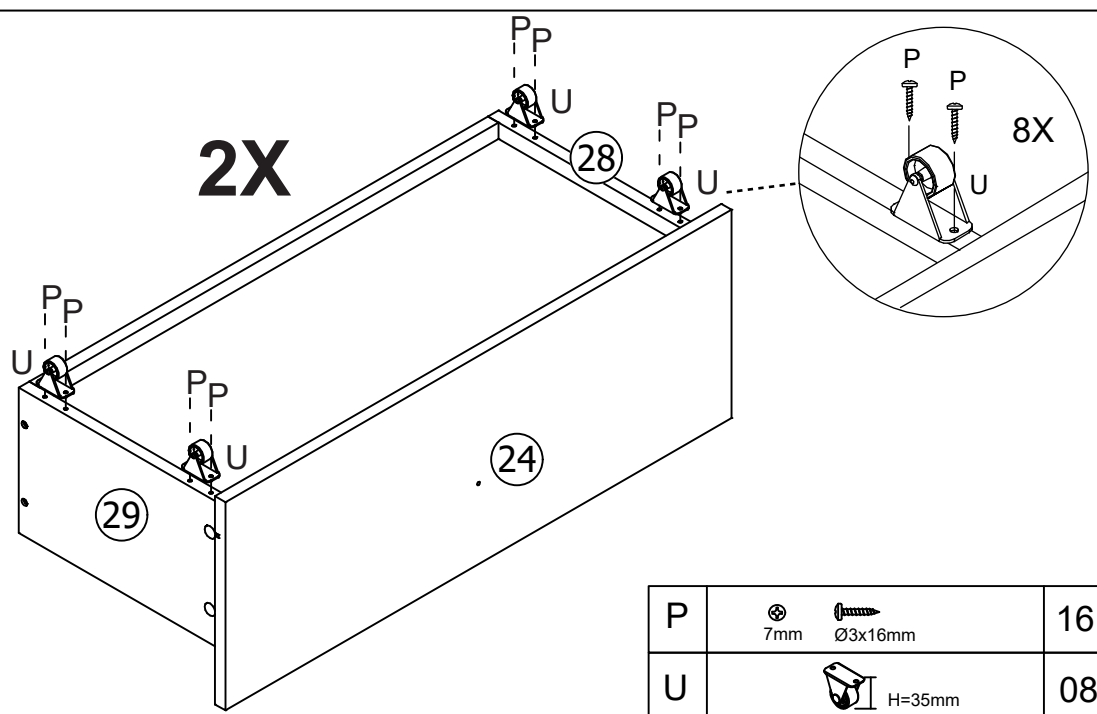
20



21

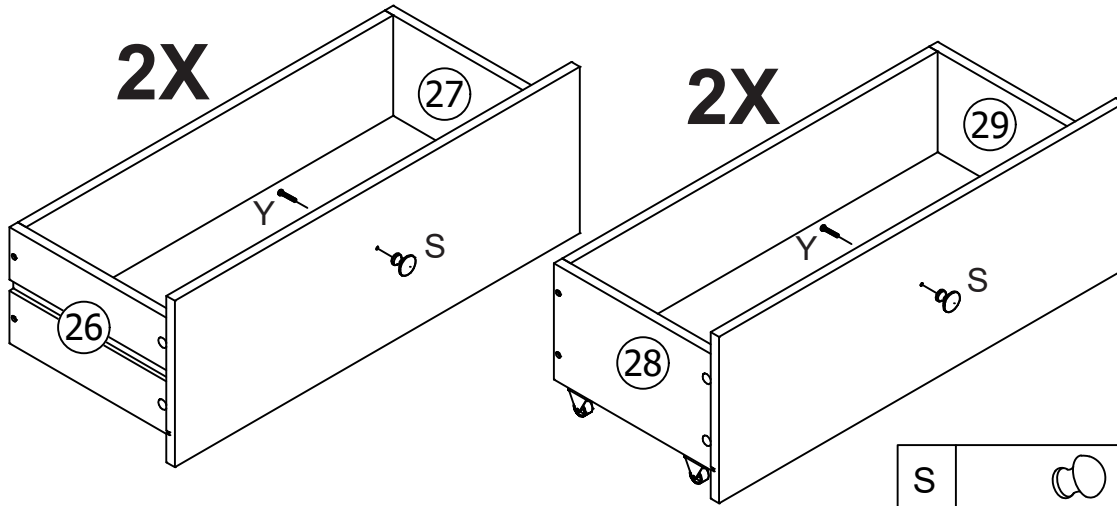


22



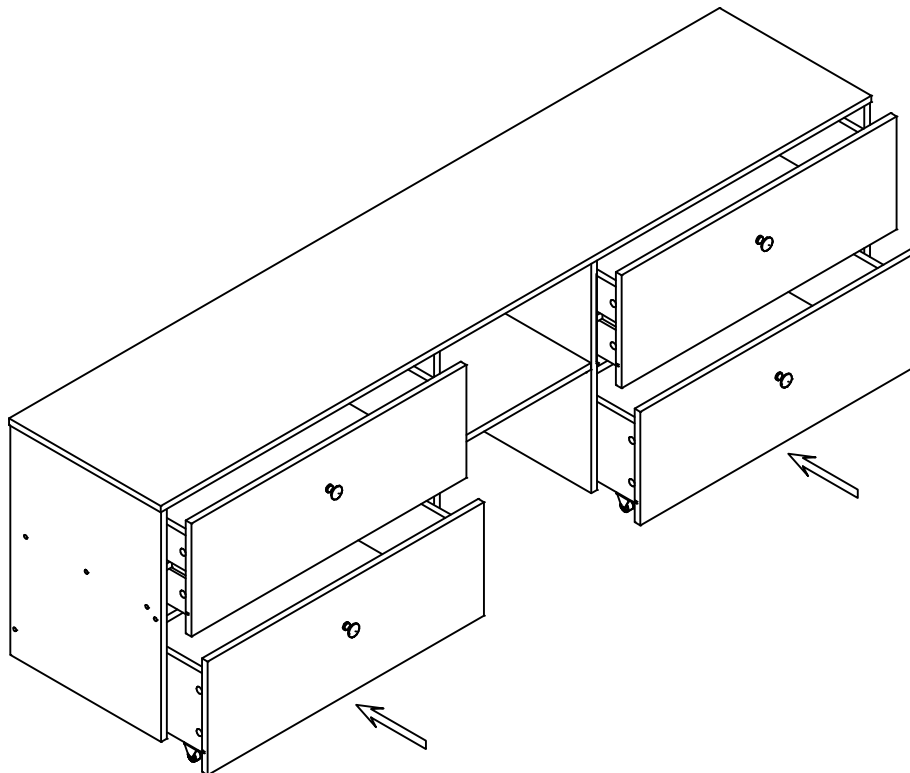
P	7mm	Ø3x16mm	16
U		H=35mm	08

23

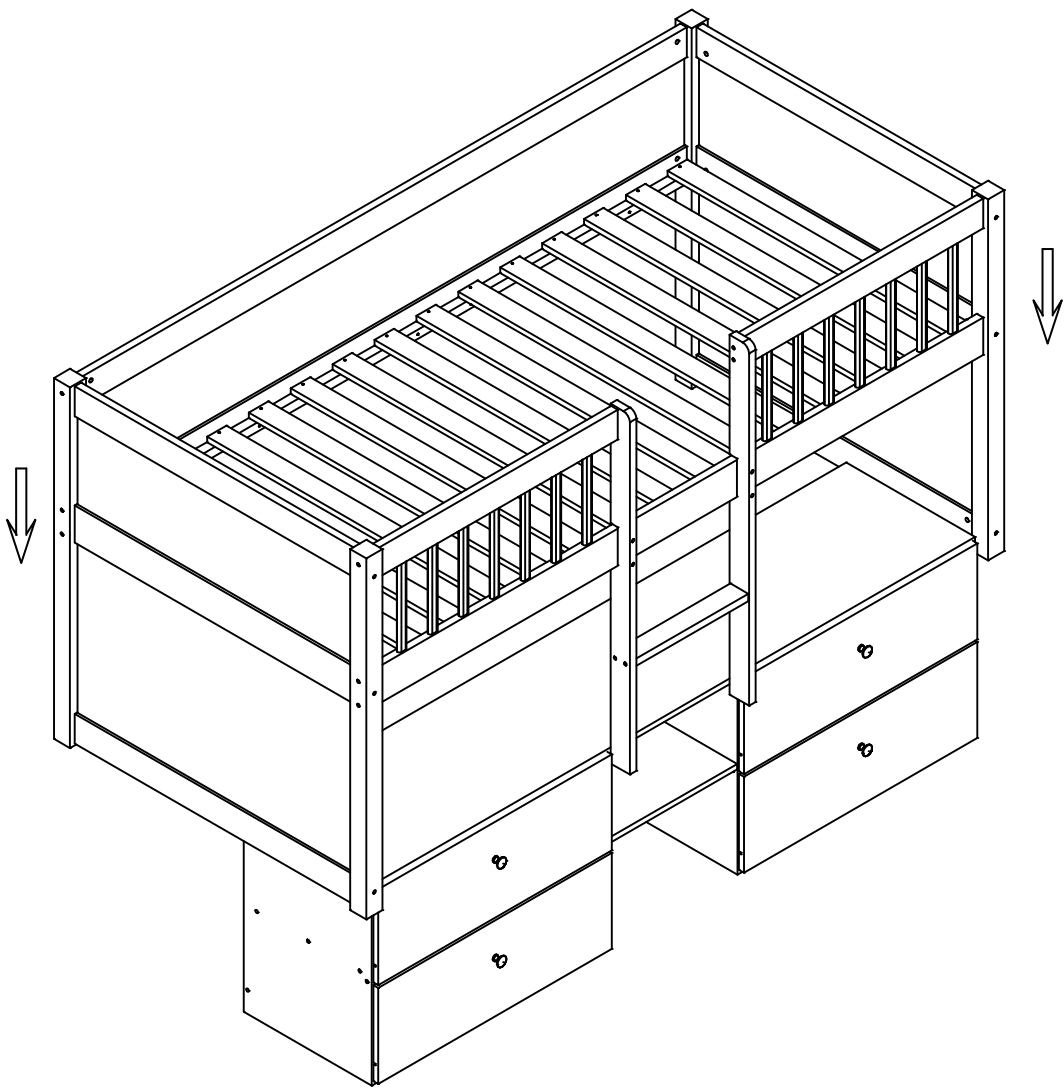


S		Ø15x11mm	04
Y		M4x20mm	04

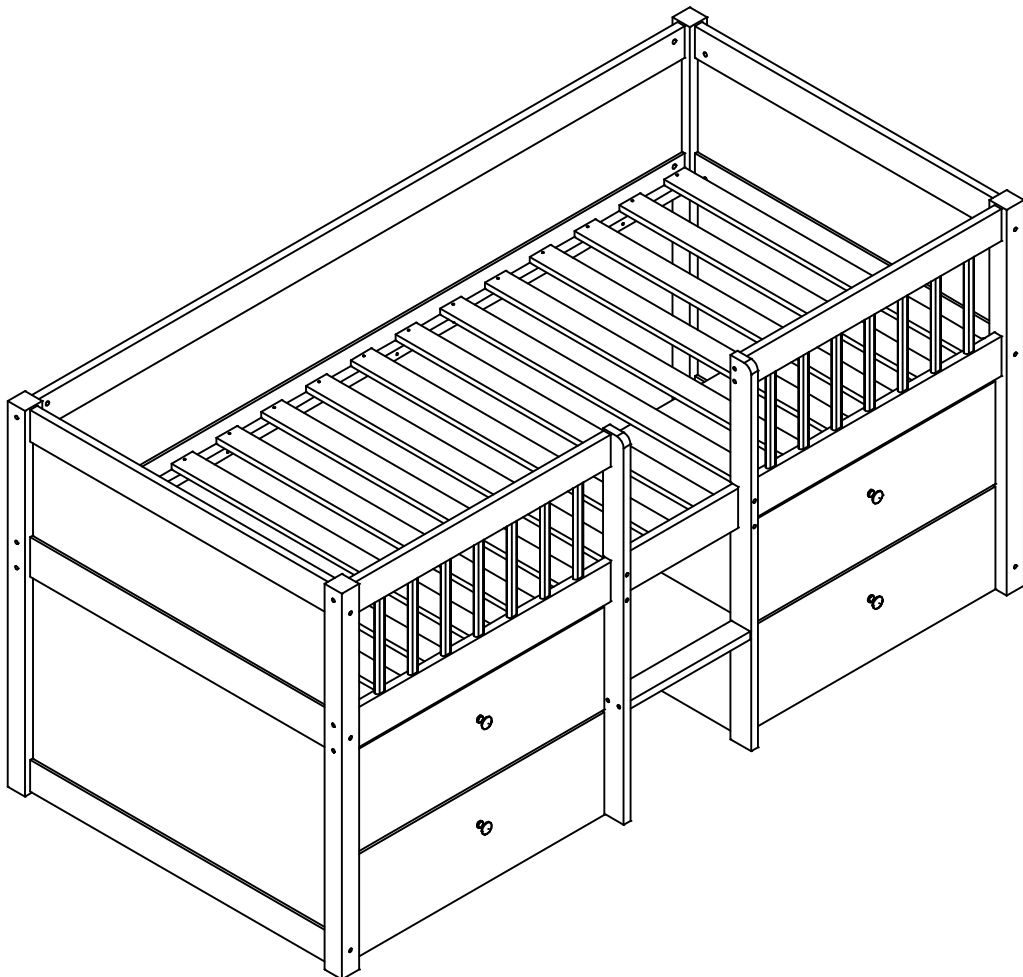
24



25



26



Safety Information

Please ensure the item is fully tightened and secured. We would also recommend checking the bolts of the item over time to ensure that the item is still secured correctly, this will guarantee you will be able to enjoy the product for many years to come.

Return Information

If you have any problems with the item just email us at info@noaandnani.co.uk or give us a call and we can resolve it for you, our technical team will be able to assist in helping. If you have any parts that are damaged we can replace them for you. If you do need to return the item for some reason just email us to request an RMA number and fill in the form on the next page and we can arrange the return of the goods.

Assembly Information

We understand that self assembly furniture can be a pain but we try and make it as easy as possible for anyone to build, if you have found a problem with the assembly of the product or with the assembly instructions or you have comments on how we would improve them, we would love to hear from you. Just contact us either by email at productadvice@noaandnani.co.uk or by phone.

Related items

We have a matching range of items that compliment this product, just head to noaandnani.co.uk for the full selection.

NÖA & NANI
FAMILY FURNITURE



www.NoaandNani.co.uk



Return Merchandise Authorization RMA

Buyers Name:

Address:

Postal Code:

Telephone:

RMA Number:

Signature:

Number of Packages to Return:

Collection Charge Amount:

RMA Agreement

All goods will be returned as per request, if there are multiple packages these will all be returned. The courier will collect the amount of packages as stated. Any failure to give all the packages to the courier will result in an additional collection fee and/or a deduction from the refund total.

Images of returned packages included. Please tick

(Why do we require images?) Due to the nature of our oversized items going through the courier networks it is important that prior to booking in the collection, we can see the size of the parcels being returned. This avoids couriers attempting a collection and refusing to collect the goods, which means you haven't wasted time waiting in for the collection not to take place.

Failed Collections

If a collection is booked in and the collection fails due to no-one being at the property to give the goods back, a fee of 50% off the collection charge will be charged. The collection will then need to be booked in again and an additional collection charge will be incurred.

IMPORTANT: Please ensure the RMA Number is clearly written on all of the packages. This will ensure the refund will be processed swiftly.